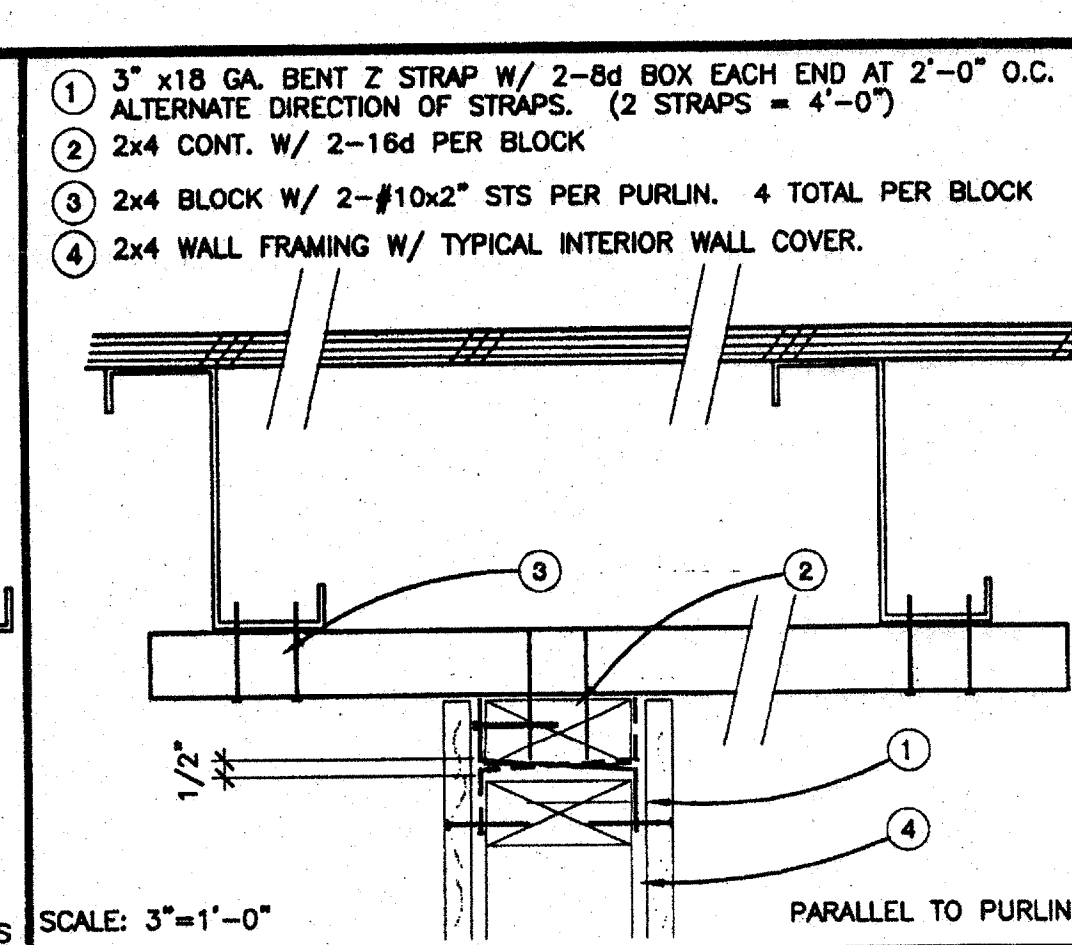
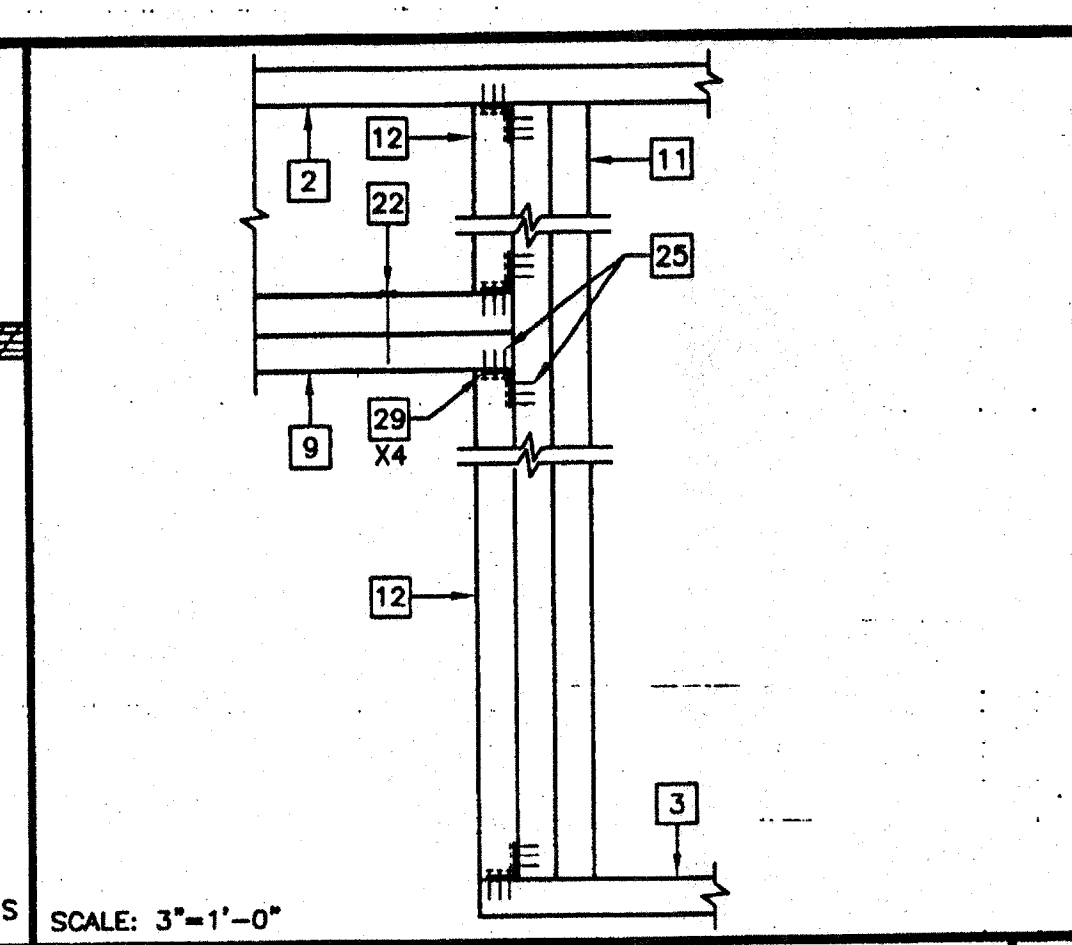


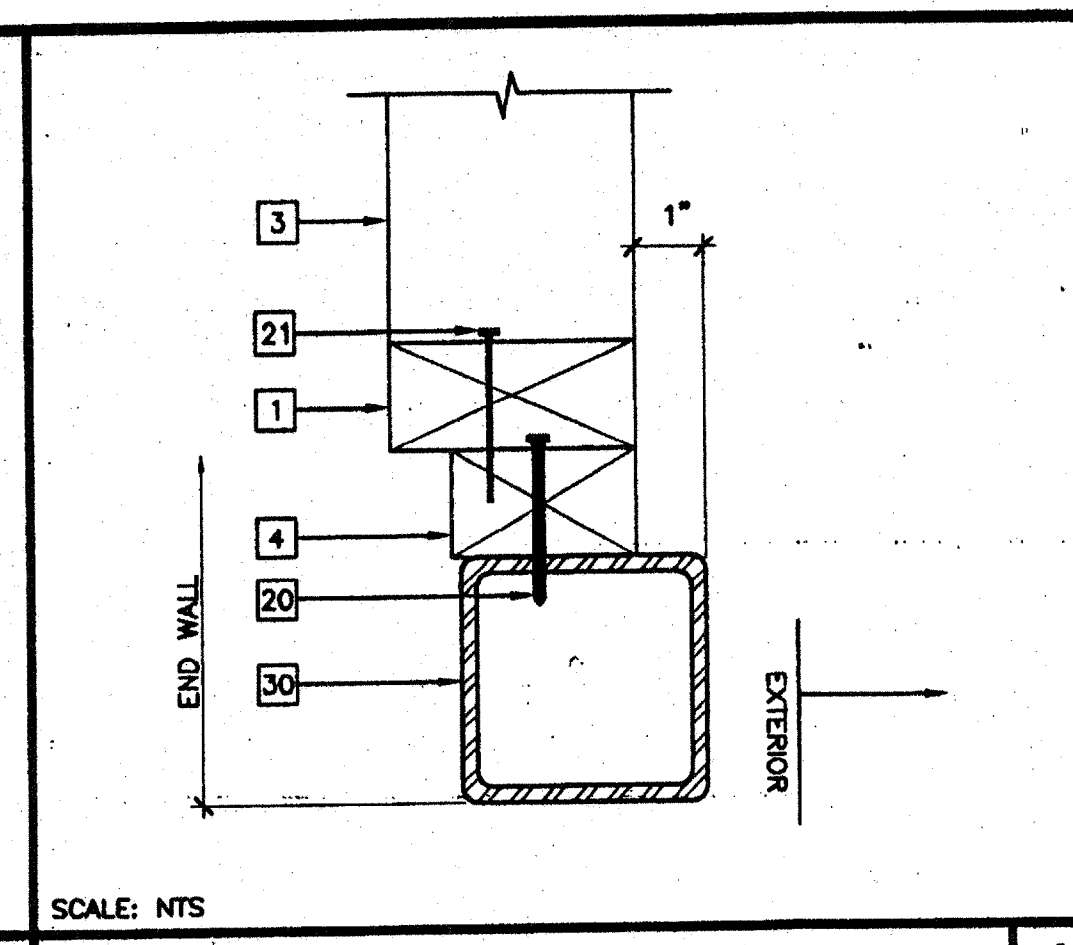
SCALE: 3"=1'-0" PERPENDICULAR TO PURLINS



SCALE: 3"=1'-0" PARALLEL TO PURLINS



SCALE: 3"=1'-0"



SCALE: NTS

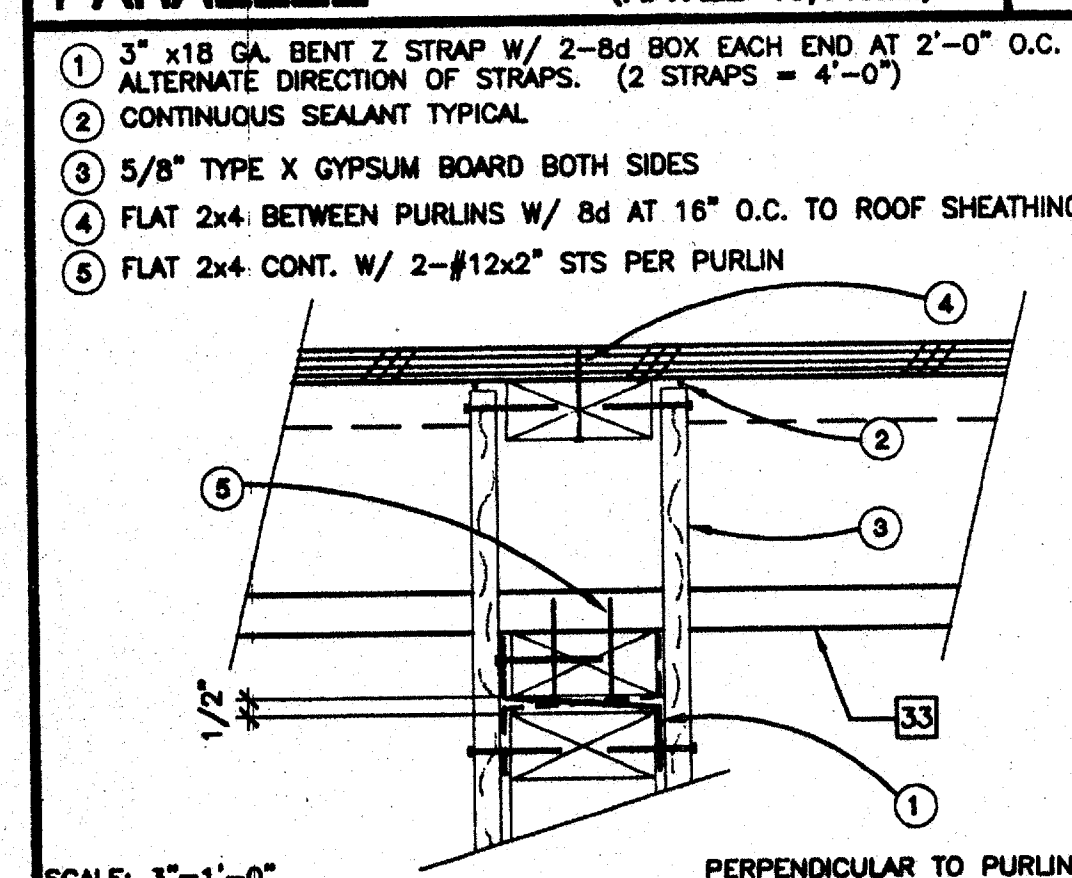
**NAILING SCHEDULE**

CONNECTION: (ALL NAILS SHALL BE BOX NAILS, U.O.N.)

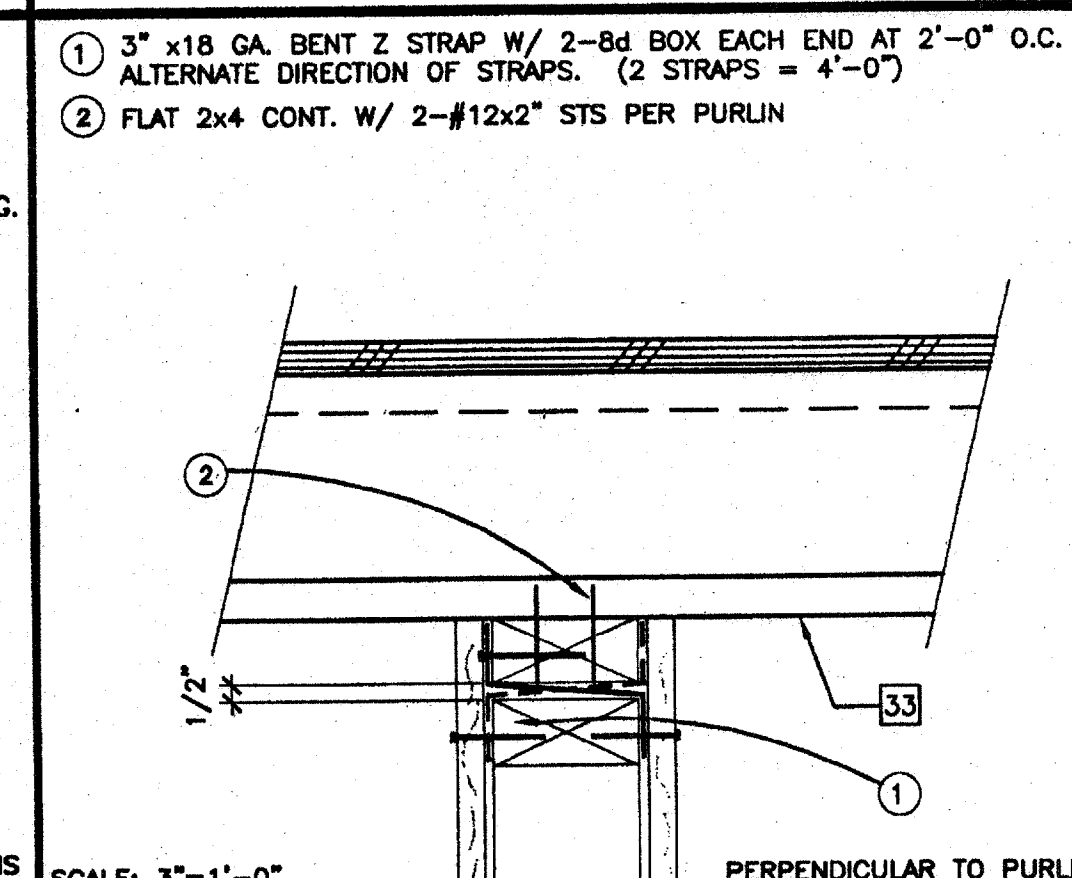
DESCRIPTION	NAILING
1. JOIST TO SILL OR GIRDER, TOENAIL	3-8d
2. BRIDGING TO JOIST, TOENAIL EACH END	2-8d
3. 1"x8" SUBFLOOR OR LESS TO EACH JOIST, FACE NAIL	2-8d
4. WIDER THAN 1"x8" SUBFLOOR TO EACH JOIST, FACE NAIL	3-8d
5. 2" SUBFLOOR TO JOIST OR GIRDER, BLIND AND FACE NAIL	2-16d
6. SOLE PLATE TO JOIST OR BLOCKING: TYPICAL FACE NAIL AT BRACED WALL PANELS	16d AT 16" OC 3-16d PER 16"
7. TOP PLATE TO STUD, END NAIL	2-16d
8. STUD TO SOLE PLATE	4-8d, TOENAIL OR 2-16d, END NAIL
9. DOUBLE STUDS, FACE NAIL	16d AT 24" OC
10. DOUBLE TOP PLATES, TYPICAL FACE NAIL	16d AT 16" OC
11. BLOCKING BETWEEN JOISTS, RAFTERS TO TOP PLATE, TOENAIL	8-18d
12. RIM JOIST TO TOP PLATE, TOENAIL	8d AT 6" OC
13. TOP PLATES, LAPS AND INTERSECTIONS, FACE NAIL	2-16d
14. CONTINUOUS HEADER, TWO PIECES	16d AT 16" OC ALONG EA. EDGE
15. CEILING JOIST TO PLATE, TOENAIL	3-8d
16. CONTINUOUS HEADER TO STUD, TOENAIL	4-8d
17. CEILING JOISTS, LAPS OVER PARTITIONS, FACE NAIL	3-16d
18. CEILING JOISTS, TO PARALLEL RAFTERS, FACE NAIL	3-16d
19. RAFTER TO PLATE, TOENAIL	3-8d
20. 1" BRACE TO EACH STUD AND PLATE, FACE NAIL	2-8d
21. 1"x8" OR LESS SHEATHING TO EACH BEARING, FACE NAIL	2-8d
22. WIDER THAN 1"x8" SHEATHING TO EACH BEARING, FACE NAIL	3-8d
23. BUILT-UP CORNER STUDS	16d AT 24" OC
24. BUILT-UP GIRDER AND BEAMS AND STAGGERED 2-20d AT ENDS AND AT EACH SPLICE	20d AT 32" OC TOP AND BOTTOM 2-20d AT ENDS AND AT EACH SPLICE
25. 2" PLANKS	2-16d AT EACH BEARING
26. WOOD STRUCTURAL PANELS AND PARTICLEBOARD: SUBFLOOR AND WALL SHEATHING (TO FRAMING):	1/2" AND LESS: 8d OR 6d 19/32"-3/4": 8d 7/8"-1": 10d OR 8d 1 1/8"-1 1/4": 10d OR 8d
COMBINATION SUBFLOOR-UNDERLAYMENT (TO FRAMING):	3/4" AND LESS: 6d 7/8"-1": 10d OR 8d 1 1/8"-1 1/4": 10d OR 8d
27. PANEL SIDING (TO FRAMING):	1/2" OR LESS: 6d 5/8": 8d
28. FIBERBOARD SHEATHING:	1/2" AND 25/32": NO.11 GA 8d, NO.16 GA 8d
29. INTERIOR PANELING:	1/4": 4d <sup>10</sup> 3/8": 6d <sup>11</sup>

**KEY NOTES**

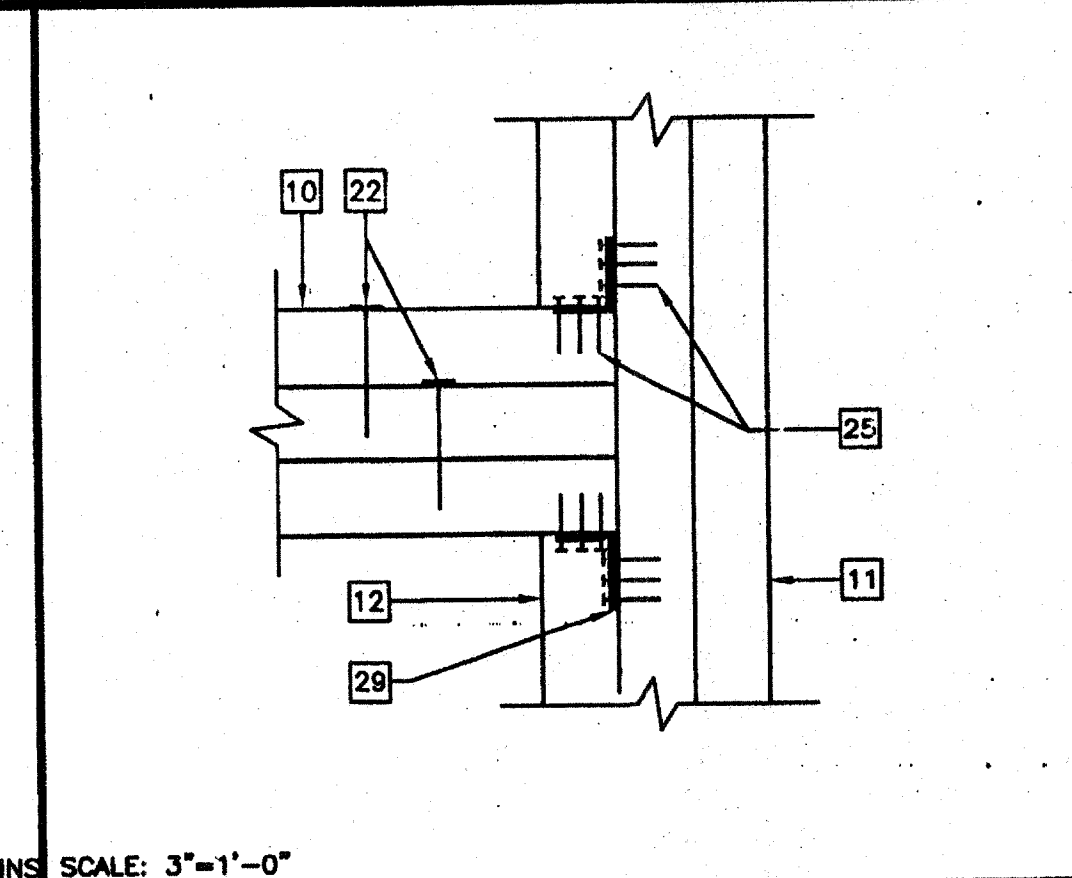
- 2"x4" END STUD
- 2"x4" TOP PLATE
- 2"x4" FLOOR SILL PLATE
- 2"x NAILER AT END WALL
- 2"x4" NAILER AT SIDE WALL
- 2"x4" AT 16" OC
- DOUBLE 2"x4" STUDS AT PLYWOOD EDGES
- 2"x4" BLOCKING
- DOOR/WINDOW HEADER - 5,6/54.02 (SEE SCHEDULE)
- WINDOW SILL - 6/54.02
- FULL HEIGHT JAMB STUDS - 5,6/54.02
- 2"x4" TRIMMER STUD
- 2"x4" DOUBLE TOP PLATE AT INTERIOR PARTITIONS
- 2"x4" BRACE AT 8'-0" OC MAX AT 45° MAX
- EXTERIOR SHEATHING NAIL WITH 8d GALVANIZED BOX NAILS AT 6" OC EDGE NAILING, 12" OC FIELD NAILING
- FLOOR SHEATHING
- ROOF SHEATHING
- EDGE NAILING 8d ELECTRO GALVANIZED AT 6" OC
- FIELD NAILING 8d ELECTRO GALVANIZED AT 12" OC
- #10 STMS OR AEROSMITH BZH .144 SHOT PINS (CBO NO. ER -5667) AT 24" OC (75MPH DESIGN) OR 21" OC (80MPH DESIGN AND PLASTER) AND .144 SHOT PINS AT 6 1/2" OC (17 ADDED SHOT PINS MIN FOR 75MPH WIND SHEAR) OR 5" OC (21 ADDED SHOT PINS MIN FOR 80MPH WIND AND PLASTER)
- 16d NAIL AT 24" OC
- 16d NAIL AT 16" OC
- 16d BOX NAILS AT 8" OC
- #10 STMS OR AEROSMITH BZH .144 SHOT PINS (CBO NO. ER -5667) AT 16" OC (75MPH DESIGN) OR 16" OC (80MPH DESIGN AND PLASTER)
- 25d 1 1/2" NAILS
- 1/4" x 2 1/2" EYE LAG SCREW AT 8'-0" OC (2" EMBEDMENT)
- #12x2" TYPE A HEX HEAD SCREWS WITH WASHERS (3 TYP)
- A35 CLIP BOTH SIDES OF BRACE TO TOP PLATE
- A34 CLIPS AT HEADER AND SILL TO FULL HEIGHT STUDS AND FULL HEIGHT STUDS TO TOP AND BOTTOM PLATES
- TUBE STEEL COLUMN (STR)
- ROOF BEAM OR HEADER (STR)
- FLOOR BEAM OR HEADER (STR)
- ROOF PURLIN (STR)
- 12 GA BRACE WIRES ATTACH TO EYE LAG SCREWS AND TO ROOF PURLINS AT 8'-0" OC, ENDS TO HAVE 4 TIGHT WRAPS IN 1 1/2"
- LAP JOINT
- 26 GA SHEET METAL FLASHING
- WATERPROOF MEMBRANE
- EDGE NAIL AT FLOOR BEAM OR HEADER - #10x1 3/4" SELF TAPPING FLAT HEAD SCREWS AT 6" OC
- SIMPSON 'STC' CLIPS AT 4'-0" OC FASTENED W/#10 STMS
- 2x BRACING SECURED TO ROOF PURLINS W/#8 STMS



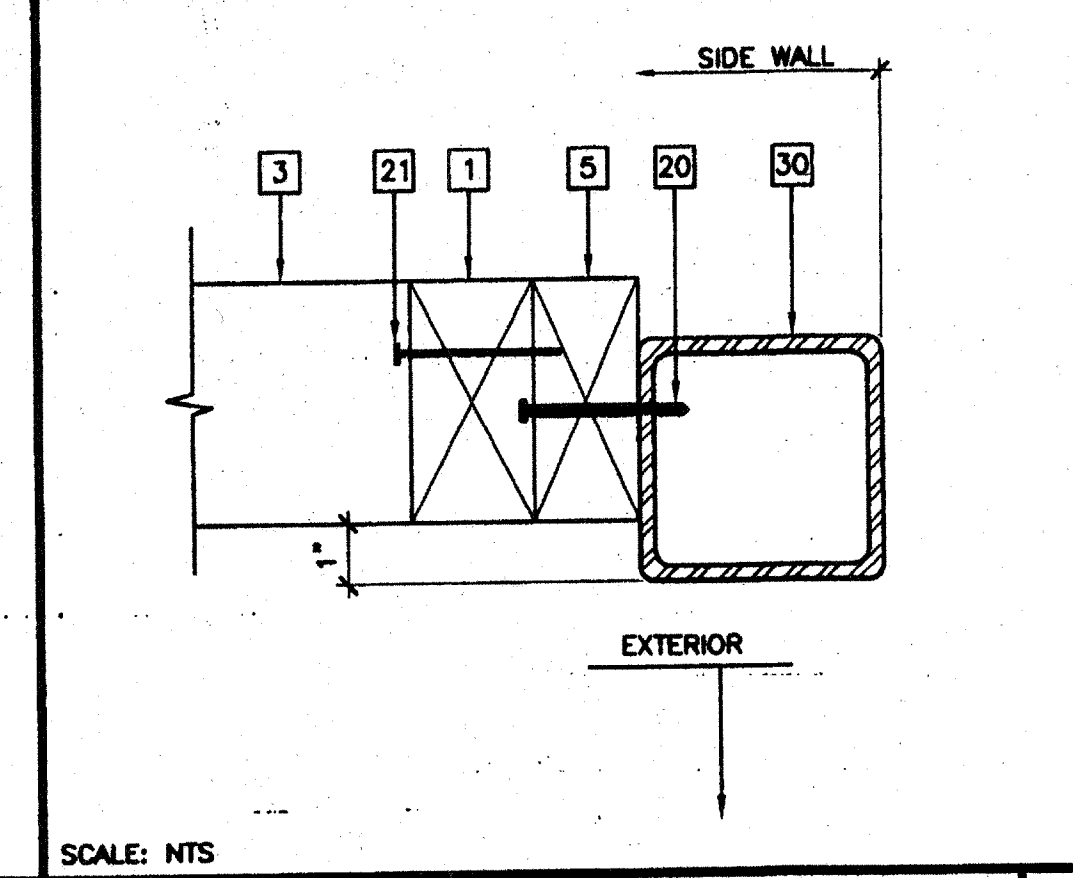
SCALE: 3"=1'-0" PERPENDICULAR TO PURLINS



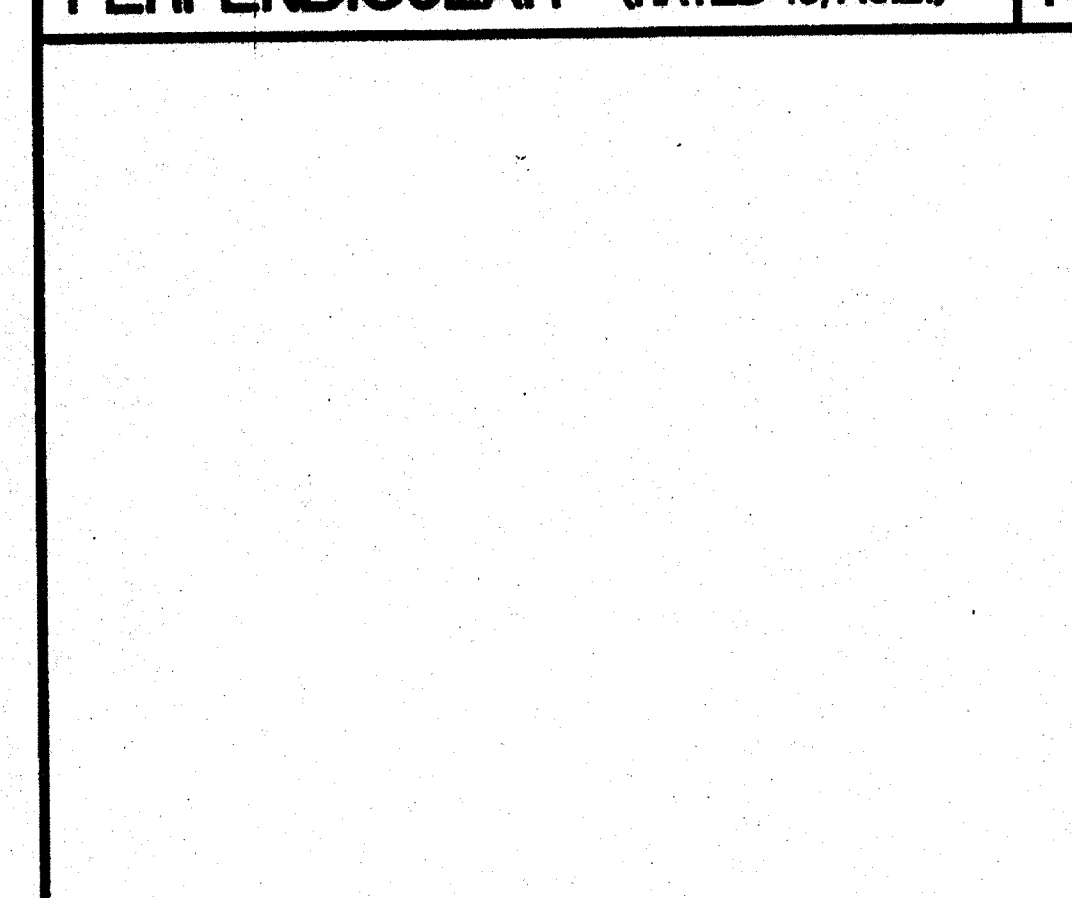
SCALE: 3"=1'-0" PERPENDICULAR TO PURLINS



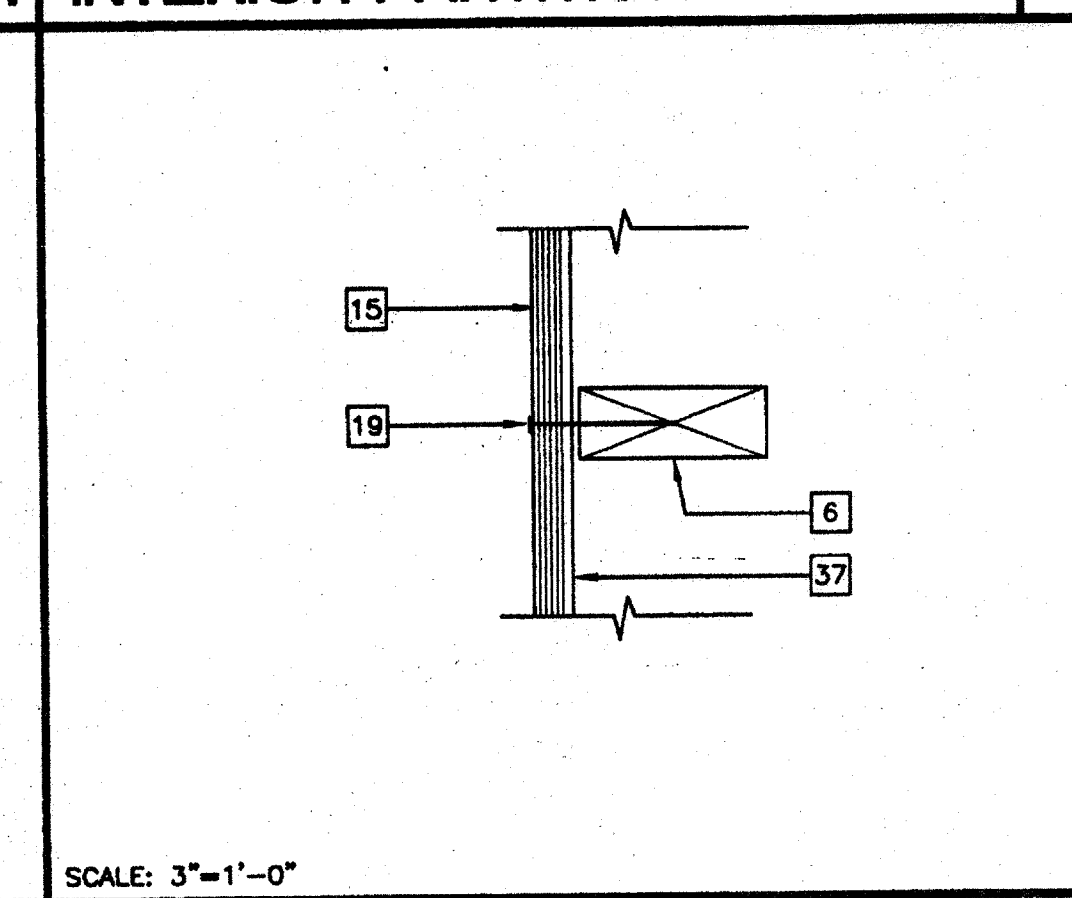
SCALE: 3"=1'-0"



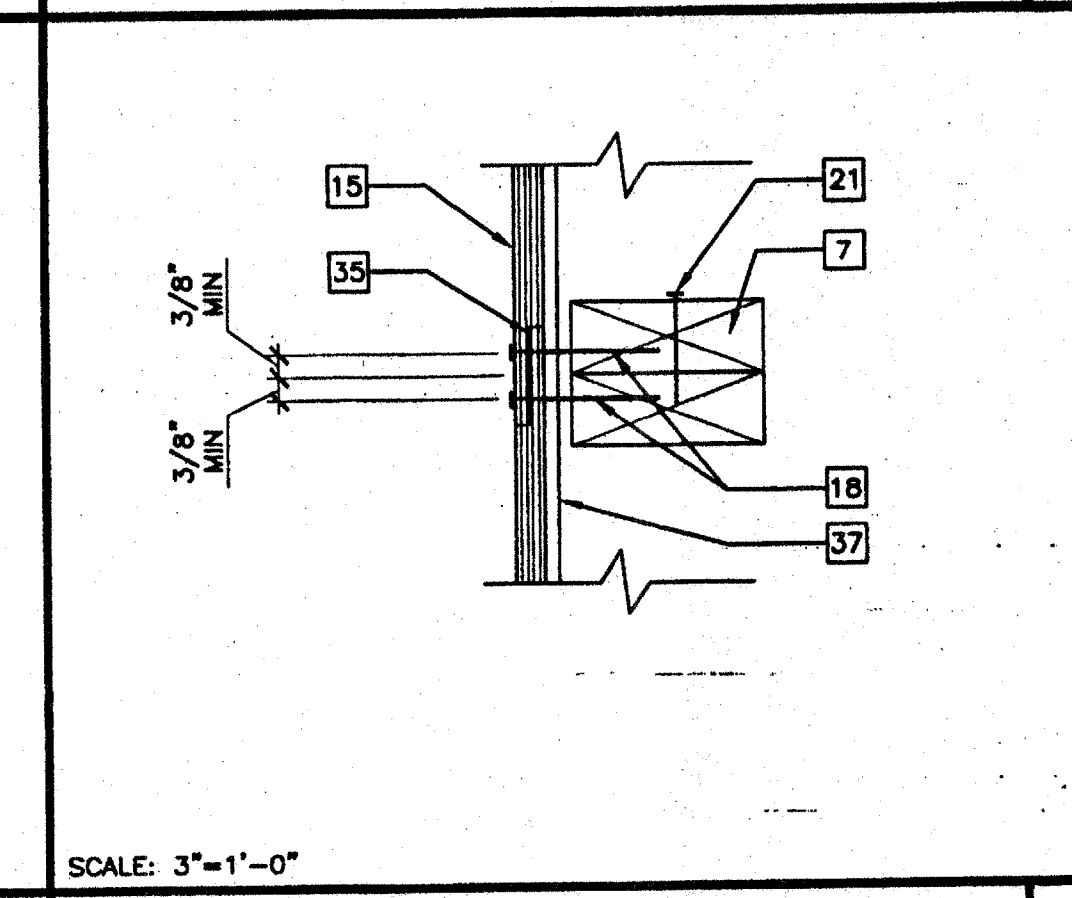
SCALE: NTS



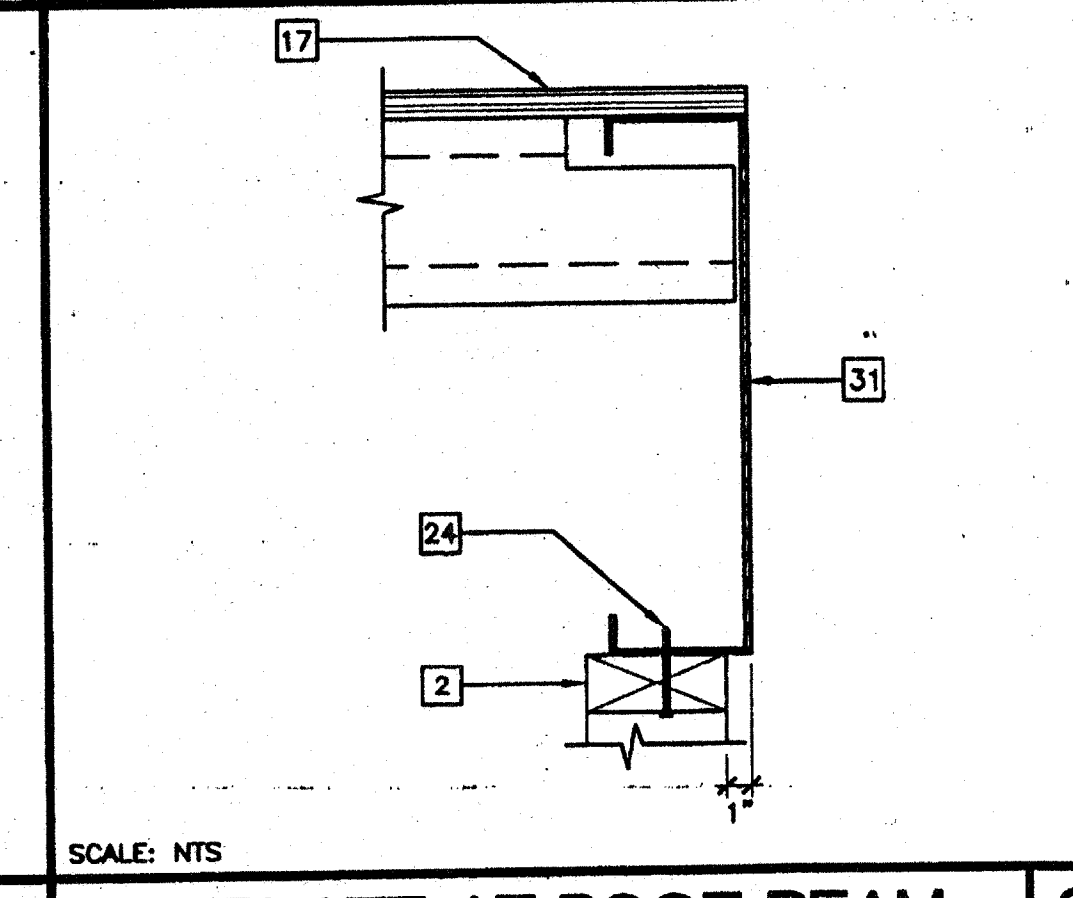
SCALE: 3"=1'-0"



SCALE: 3"=1'-0"



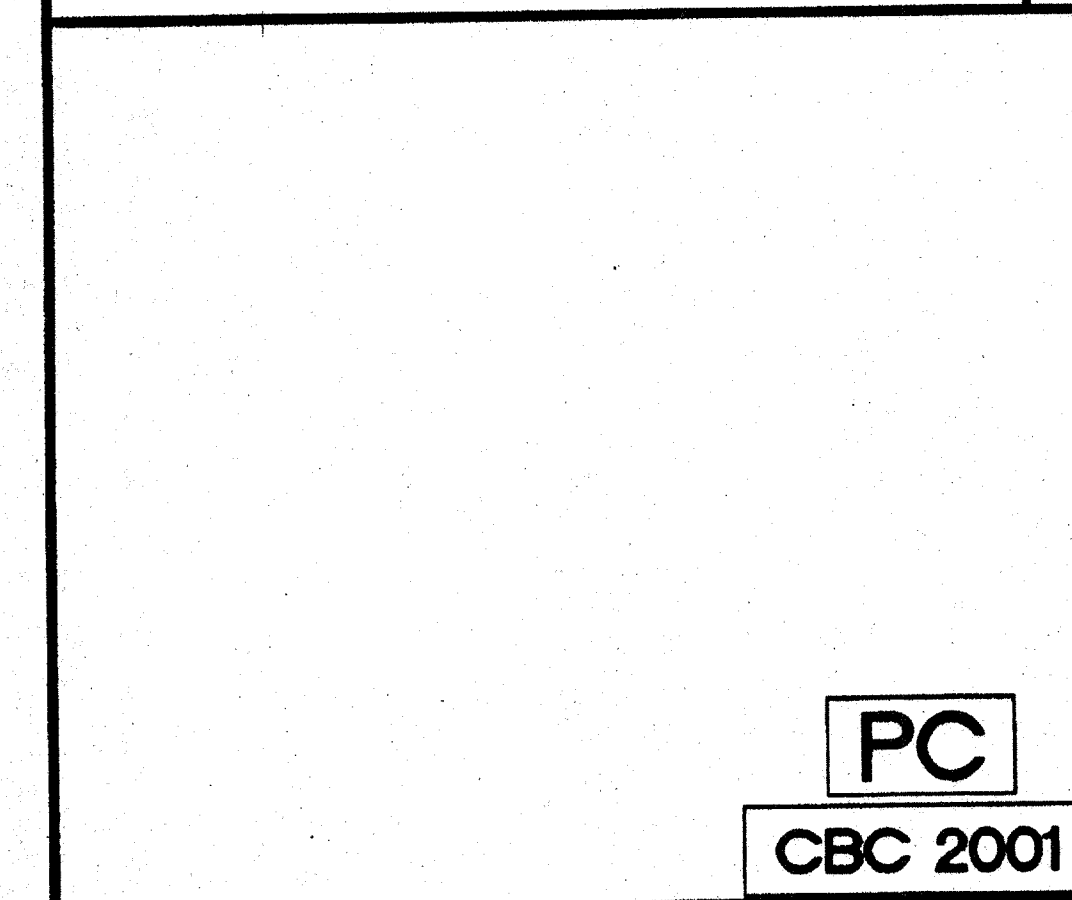
SCALE: NTS



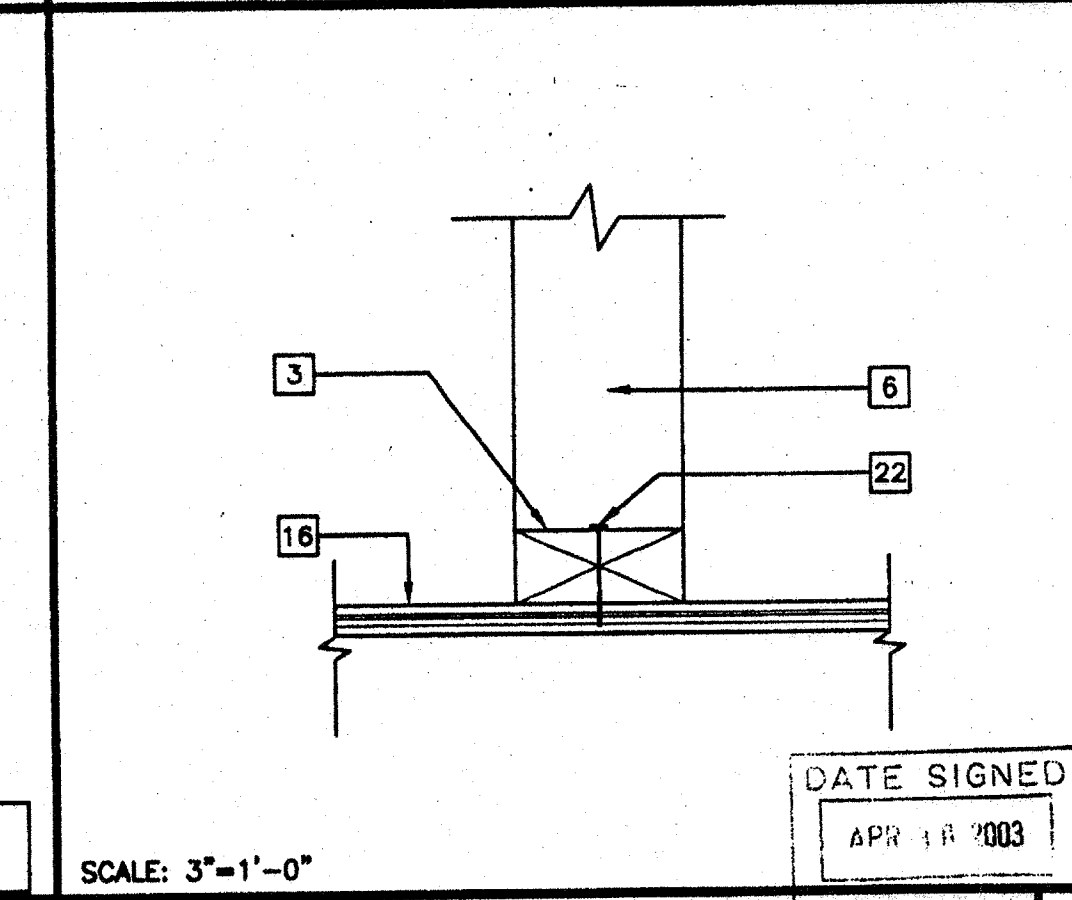
SCALE: 3"=1'-0"

**ROUGH OPENING SCHEDULE**

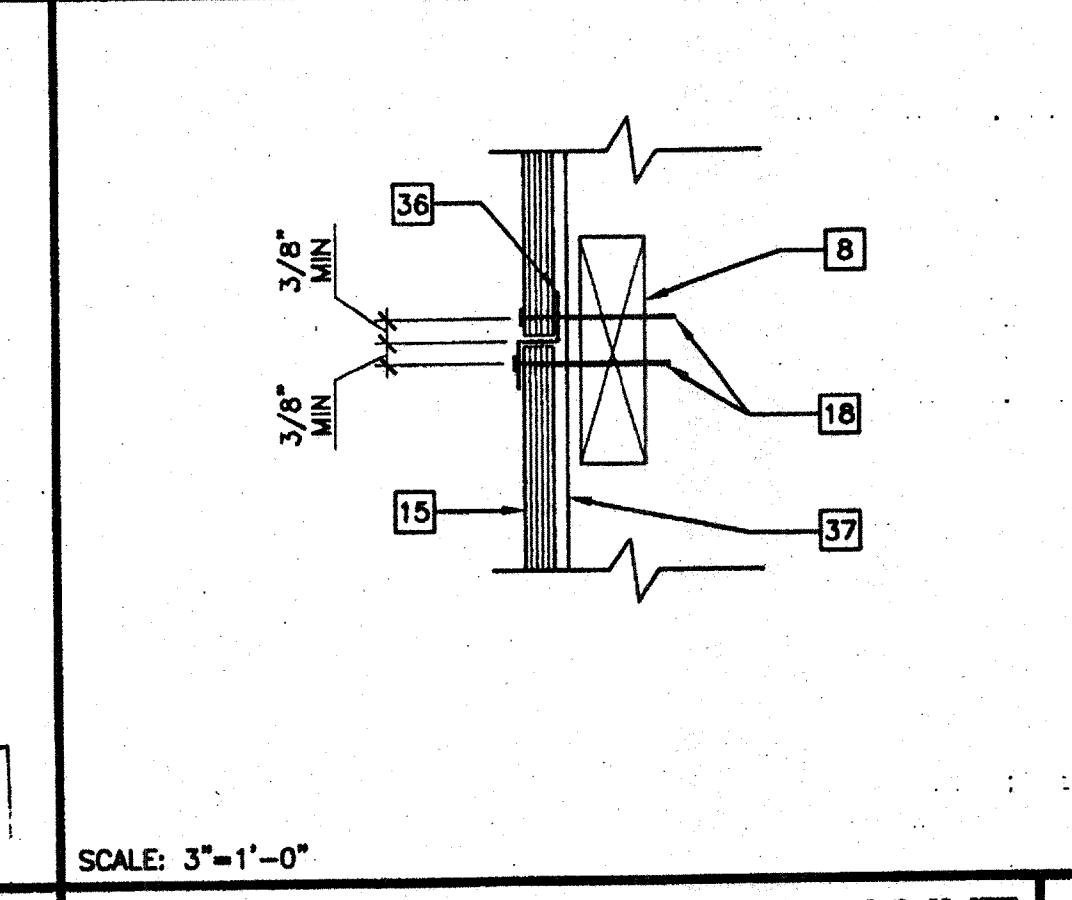
OPENING	HEADER	SILL	JAMB	WIDTH	HEIGHT
STANDARD WALLS - 70 MPH WIND					
2068	(2)2"x4"	N/A	(2)2"x4"	26"	81 1/4"
3068	(2)2"x4"	N/A	(2)2"x4"	38"	81 1/4"
6068	(2)2"x4"	N/A	(3)2"x4"	74"	81 1/4"
8040	(3)2"x4"	(2)2"x4"	(4)2"x4"	95 3/4"	47 5/8"
PLASTER WALLS - 70 MPH WIND					
2068	(2)2"x4"	N/A	(3)2"x4"	26"	81 1/4"
3068	(2)2"x4"	N/A	(3)2"x4"	38"	81 1/4"
6068	(2)2"x4"	N/A	(4)2"x4"	74"	81 1/4"
8040	(3)2"x4"	(2)2"x4"	(4)2"x4"	95 3/4"	47 5/8"
STANDARD WALLS - 80 MPH WIND					
2068	(2)2"x4"	N/A	(2)2"x4"	26"	81 1/4"
3068	(2)2"x4"	N/A	(3)2"x4"	38"	81 1/4"
6068	(2)2"x4"	N/A	(3)2"x4"	74"	81 1/4"
8040	(3)2"x4"	(2)2"x4"	(4)2"x4"	95 3/4"	47 5/8"
PLASTER WALLS - 80 MPH WIND					
2068	(2)2"x4"	N/A	(3)2"x4"	26"	81 1/4"
3068	(2)2"x4"	N/A	(3)2"x4"	38"	81 1/4"
6068	(2)2"x4"	N/A	(4)2"x4"	74"	81 1/4"
8040	(3)2"x4"	(2)2"x4"	(5)2"x4"	95 3/4"	47 5/8"



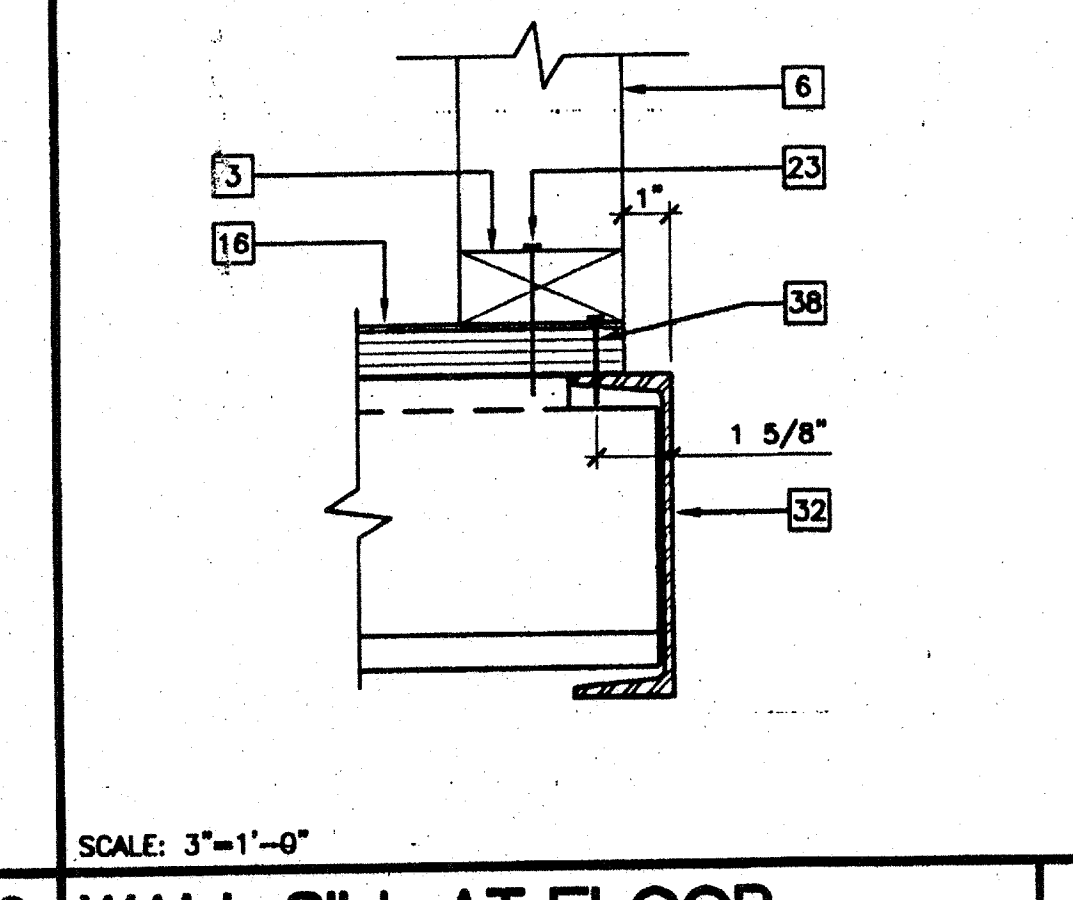
SCALE: 3"=1'-0"



SCALE: 3"=1'-0"



SCALE: 3"=1'-0"



SCALE: 3"=1'-0"

**REVISIONS**

NO.	DESCRIPTION	DATE

AGENCY TRACKING NO. 52231-247  
FILE NO. 15-6

IDENTIFICATION STAMP  
DIV. OF THE STATE ARCHITECT  
03118235  
AG. PLS. SS  
DATE JUL 11 2017

PC Professional of Record Seal  
Architects Seal

IDENTIFICATION STAMP  
DIV. OF THE STATE ARCHITECT  
OFFICE OF REGULATION SERVICES  
PC-04  
104801  
AC. PLS. SS  
DATE 5/12/03

MODTECH, INC.  
2830 BARRETT AVENUE  
PERRIS, CALIF. 92571  
PH (909) 943-4014  
FAX (909) 940-0427

PROJECT NUMBER: MODTECH, INC. 2002

CLASS LEASING INC STOCKPILE # 70  
100-24 X 40 CLASSROOM BUILDINGS  
4012-125 05-22-2003 80 MPH

WALL FRAMING DETAILS

PROJECT NUMBER: MODTECH, INC. 2002

CLASS LEASING INC STOCKPILE # 70  
100-24 X 40 CLASSROOM BUILDINGS  
4012-125 05-22-2003 80 MPH

WALL FRAMING DETAILS

DRAWN BY: STKP-70  
DATE: 05-22-03

CHECKED BY: [Signature]  
DATE: [Signature]

MODTECH Index No.  
**S4.02**

FILE PATH: 2440-S4.02.DWG PROJECT NO. 9C-04-104801