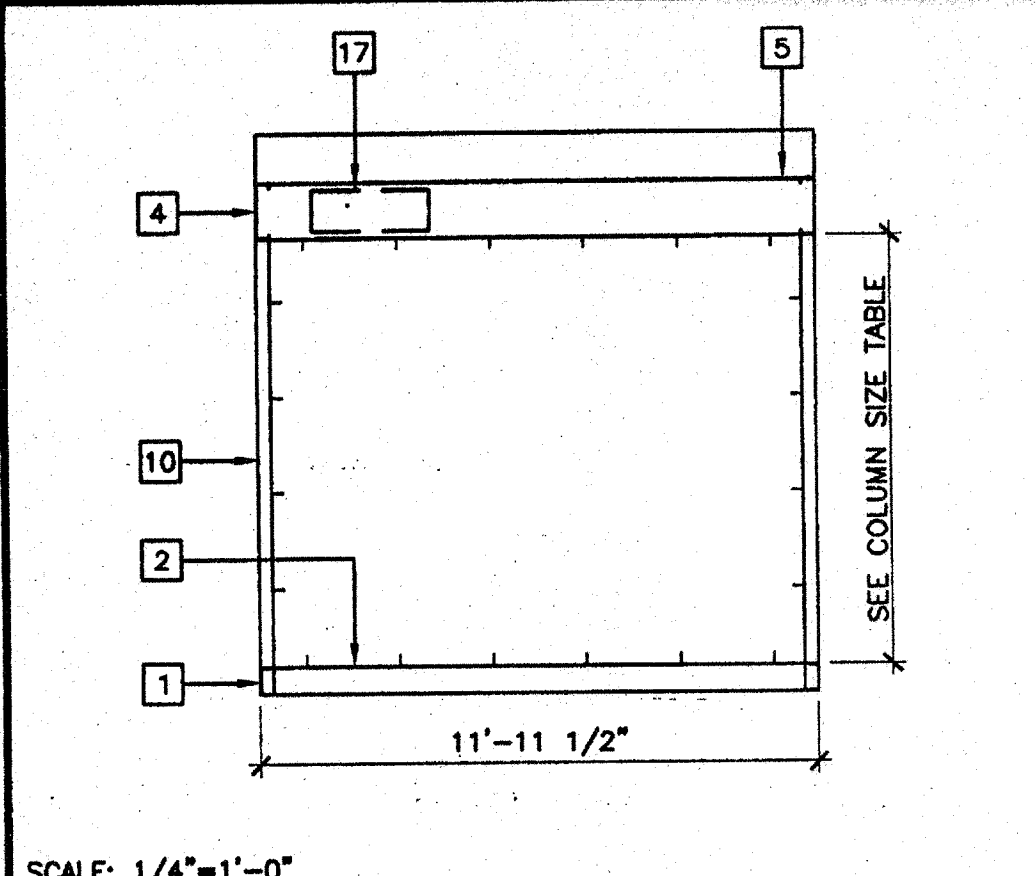
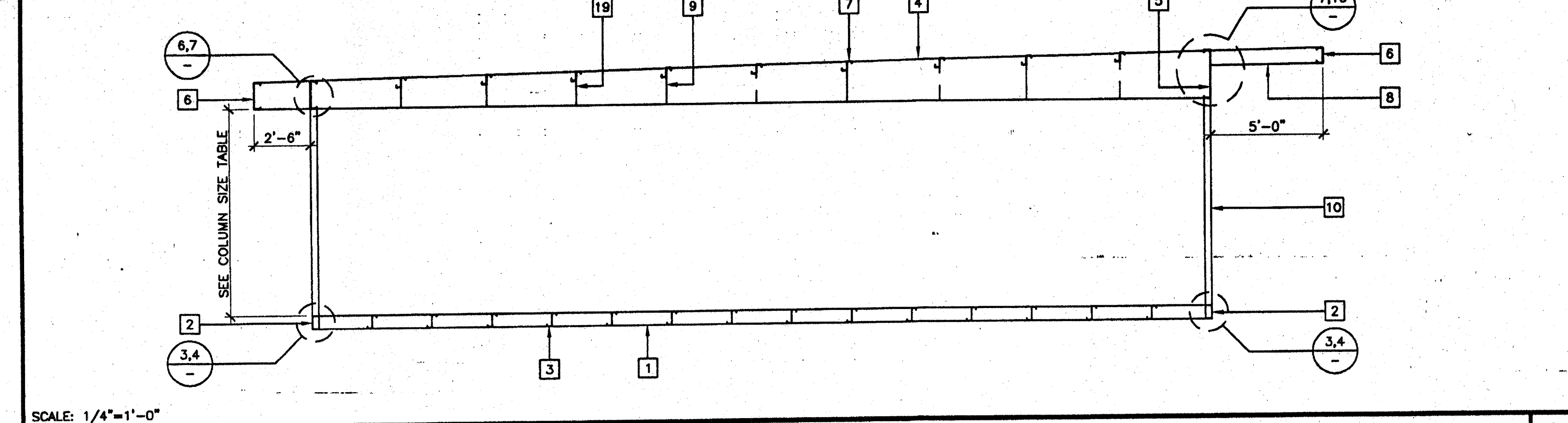


OPTIONAL BEAM PENETRATION 11  
SCALE: 1 1/2"=1'-0"

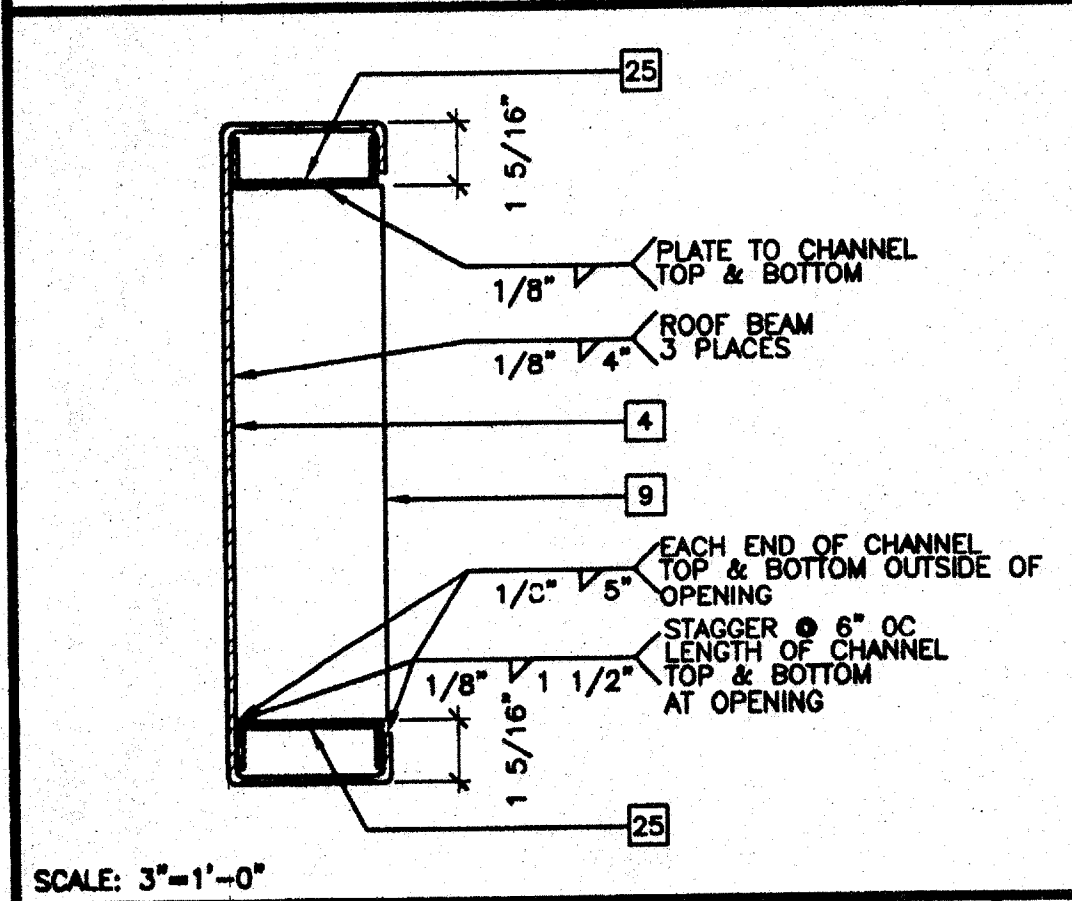


SECTION AT END WALL  
SCALE: 1/4"=1'-0"

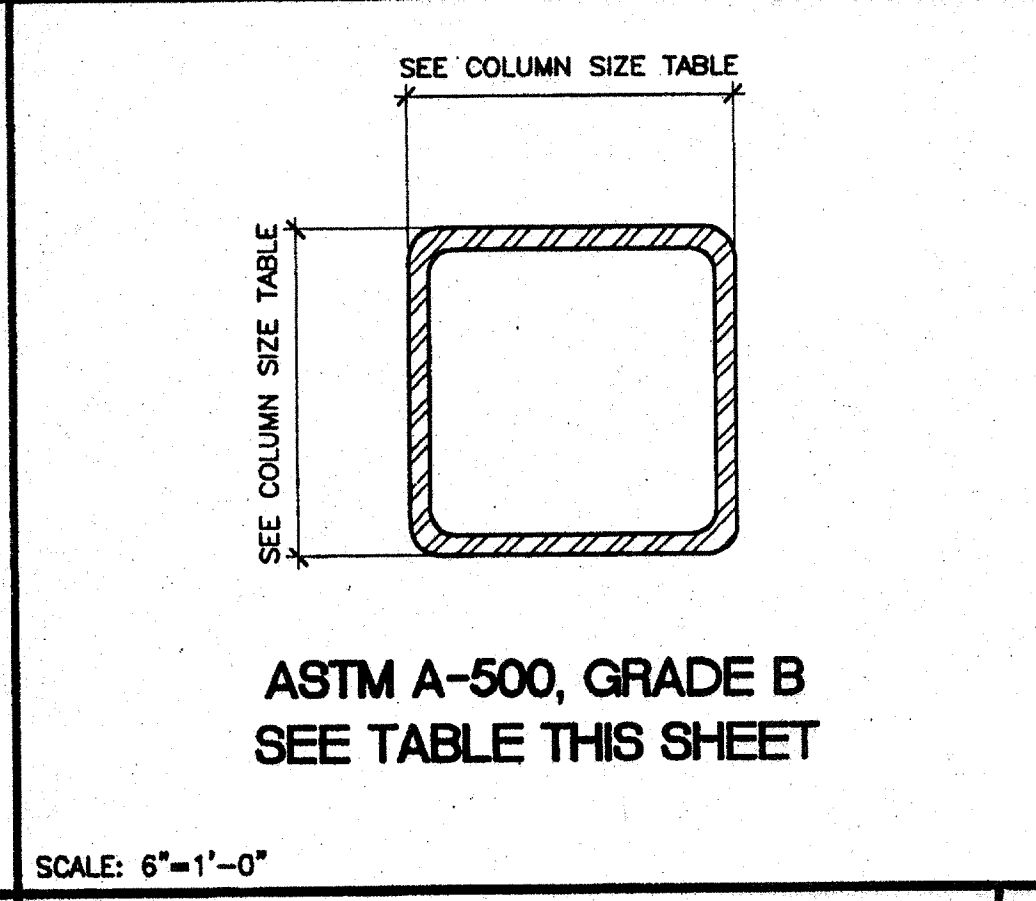


SECTION AT SIDE WALL  
SCALE: 1/4"=1'-0"

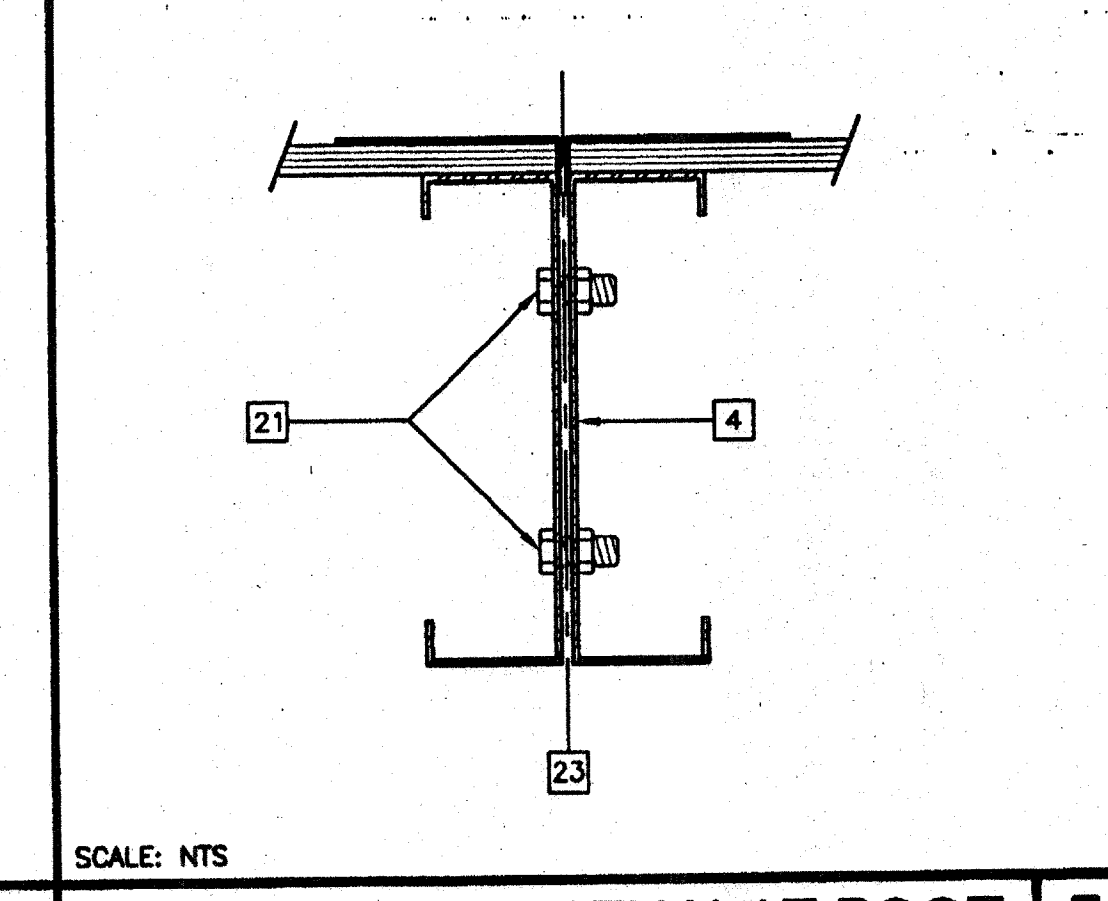
- KEY NOTES**
- 1 [ FLOOR BEAM - 1/S1.01
  - 2 [ FLOOR HEADER - 1/S1.01
  - 3 [ FLOOR JOIST - 2/S1.01
  - 4 [ TAPERED ROOF BEAM - 1/S2.02
  - 5 [ ROOF HEADER - 2/S2.02
  - 6 [ ROOF FASCIA - 3/S2.02
  - 7 [ ROOF PURLIN - 4/S2.02
  - 8 [ 8" x 3-1/2" x 14GA ROOF OVERHANG BEAM
  - 9 [ 1/4" FULL DEPTH STIFFENER PLATE AT 8'-0" OC TYPICAL ALIGN WITH PURLIN - 6/S2.02
  - 10 [ 3 1/2" x 3 1/2" x 1/2" x 1/4" TUBE STEEL COLUMN (SEE COLUMN BELOW)
  - 11 [ 3 1/2" x 3 1/2" x 1/4" STEEL STIFFENER PLATE. WHEN CONCRETE FOUNDATIONS ARE USED REPLACE LOWER PLATE WITH 5" x 8" x 1/4" ANCHOR BOLT PLATE - 3/S1.01
  - 12 [ 3 1/2" x 3 1/2" x 1/4" TUBE STEEL STIFFENER
  - 13 (1) 3" x 3" 10 GA TUBE STEEL BACK UP TUBE OR (4) 10 GA BACK UP PLATES
  - 14 [ 3 1/2" x 3 1/2" x 1/4" ANGLE STIFFENER
  - 15 [ BACK-UP PLATE - 10 GA MIN
  - 16 [ 1/4" BASE PLATE - INSERT FLUSH WITH STIFFENER TUBE
  - 17 [ OPTIONAL HVAC DUCT OPENING - 12/S2.02
  - 18 [ NOT USED
  - 19 [ 1/4" FULL DEPTH STIFFENER PLATE AT 4'-0" OC AT SIDEWALLS ALIGN WITH PURLINS FOR 80 MPH DESIGN WIND LOAD ONLY
  - 20 [ HAND HOLE AT BOLT LOCATION
  - 21 [ 5/8" MB A307 AT MODULE CONNECTION JOINT - SEE FLOOR/ROOF FRAMING PLANS
  - 22 [ FLOOR SHEATHING
  - 23 [ MODLINE (M)
  - 24 [ NOT USED
  - 25 [ 3 1/4" x 1" 10 GA CHANNEL STIFFENER
  - 26 [ 10 GA PLATE (REFER TO DETAIL CHART FOR DIMENSIONS -14/S3.01)
  - 27 [ 3 1/2" x 4 1/2" x 1/4" PLATE UNDER BEAM FLANGE



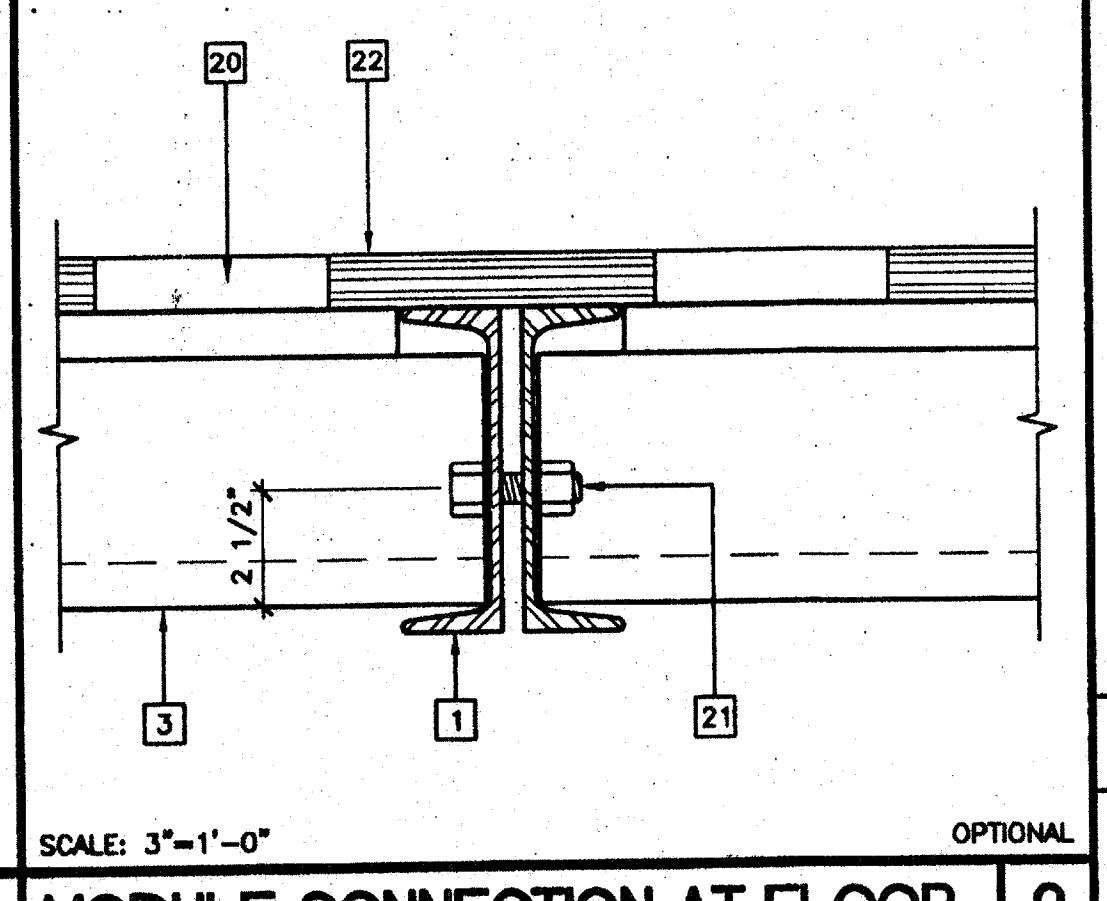
PENETRATION REINFORCEMENT 12  
SCALE: 3"=1'-0"



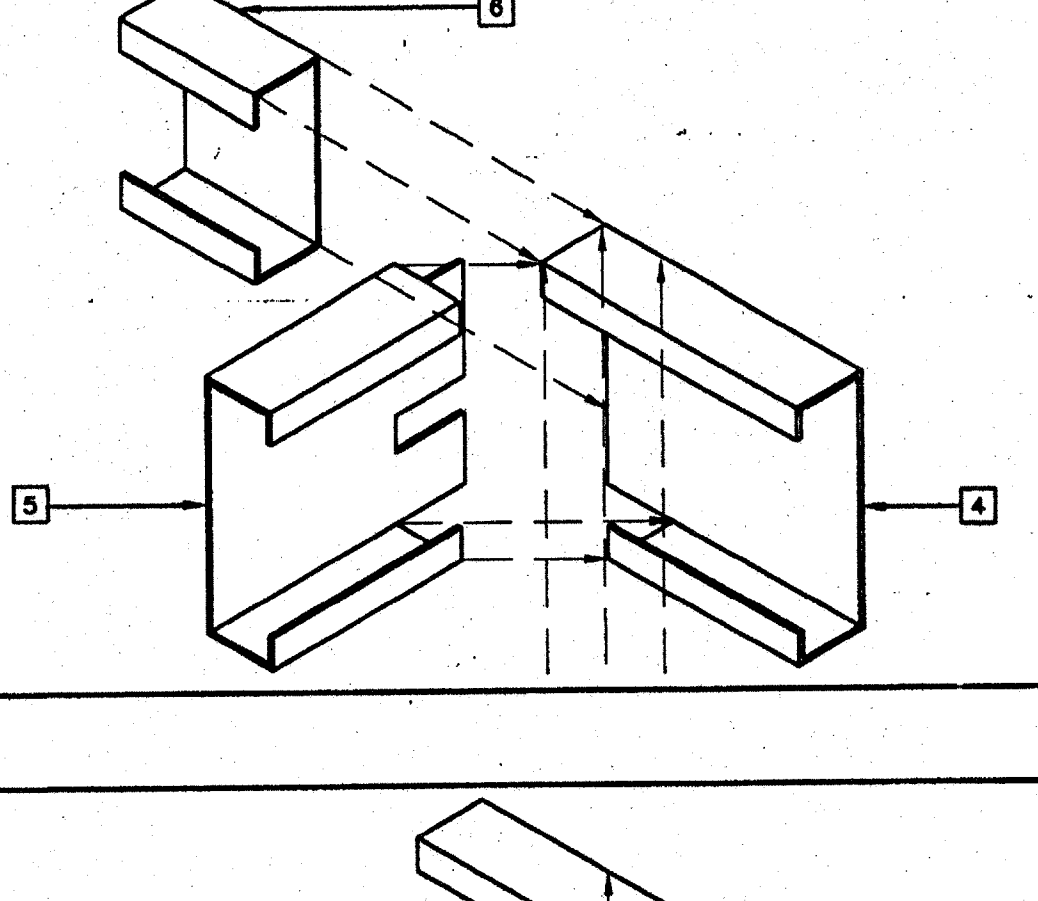
TUBE STEEL COLUMN/STIFFENER 8  
SCALE: 6"=1'-0"



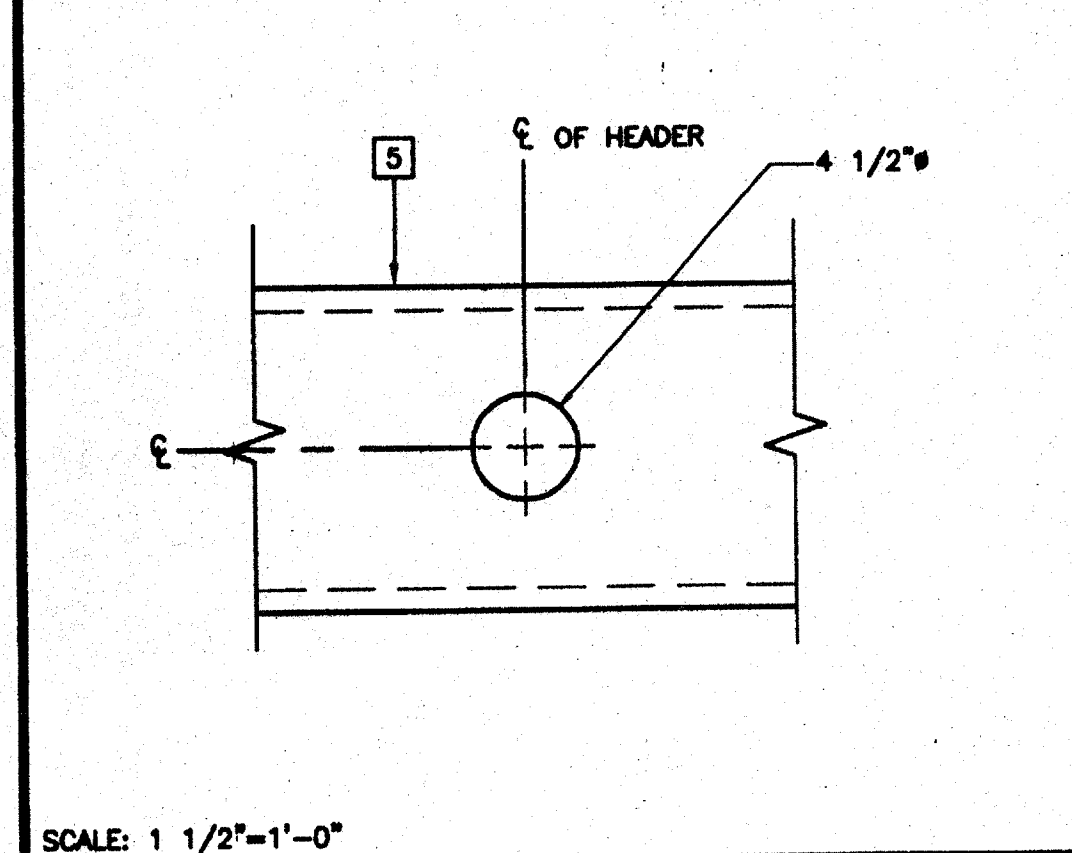
MODULE CONNECTION AT ROOF 5  
SCALE: NTS



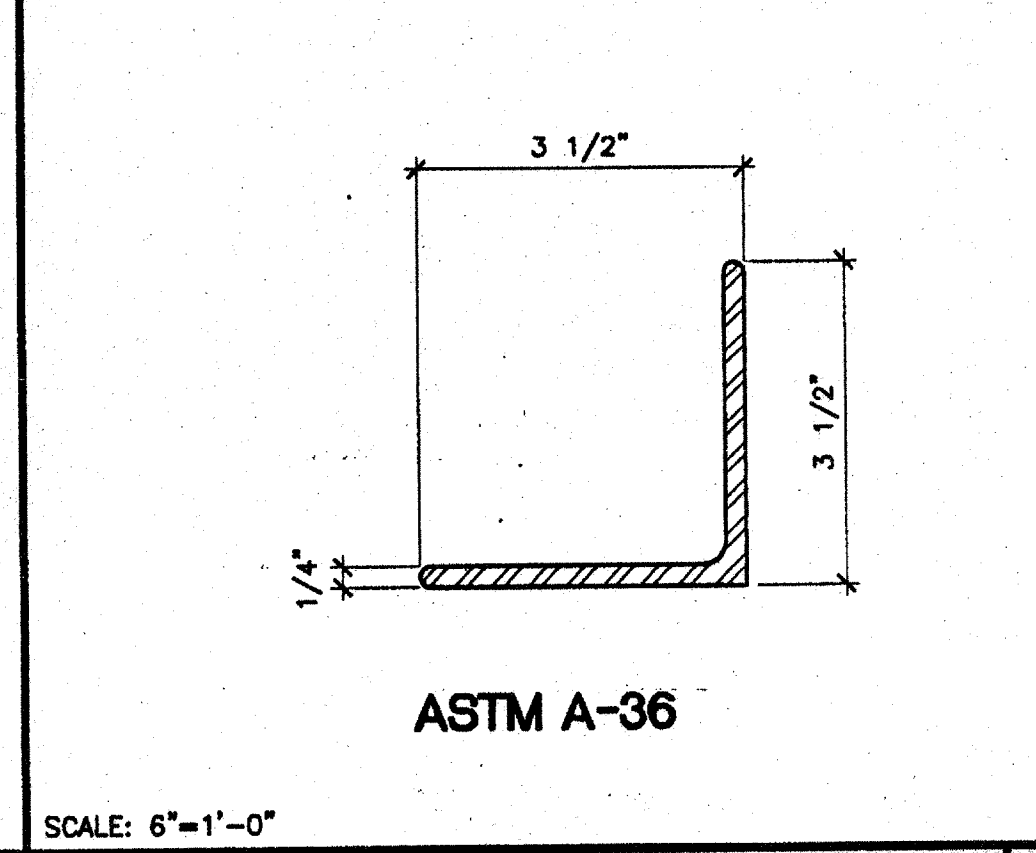
MODULE CONNECTION AT FLOOR 2  
SCALE: 3"=1'-0"



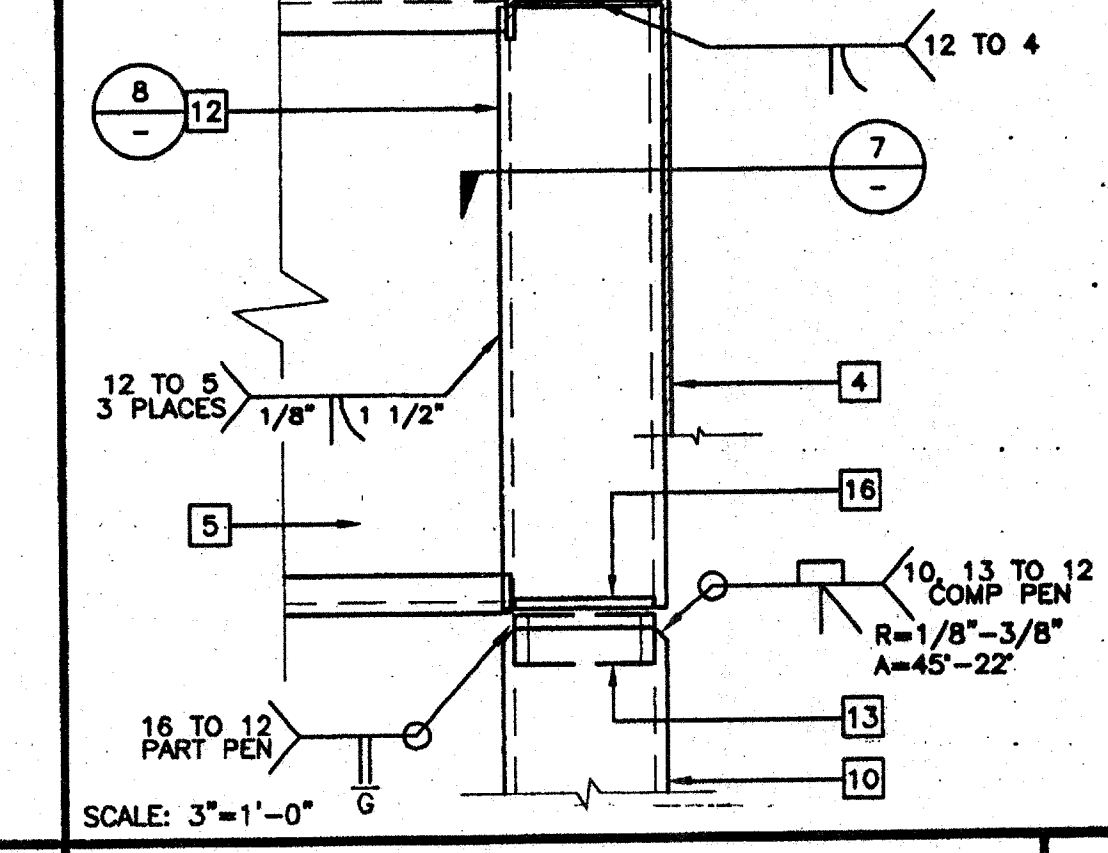
COLUMN AT FLOOR 3  
SCALE: NTS



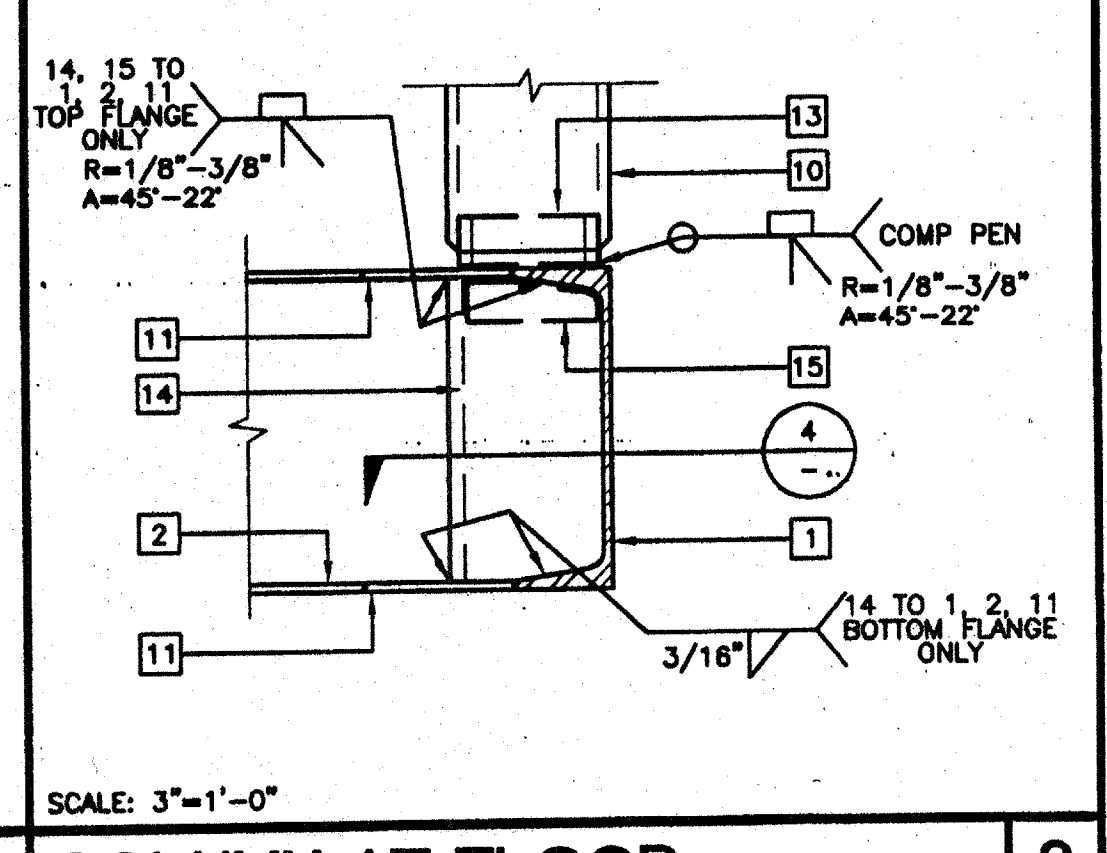
ATTIC RELIEF VENT IN HEADER 13  
SCALE: 1 1/2"=1'-0"



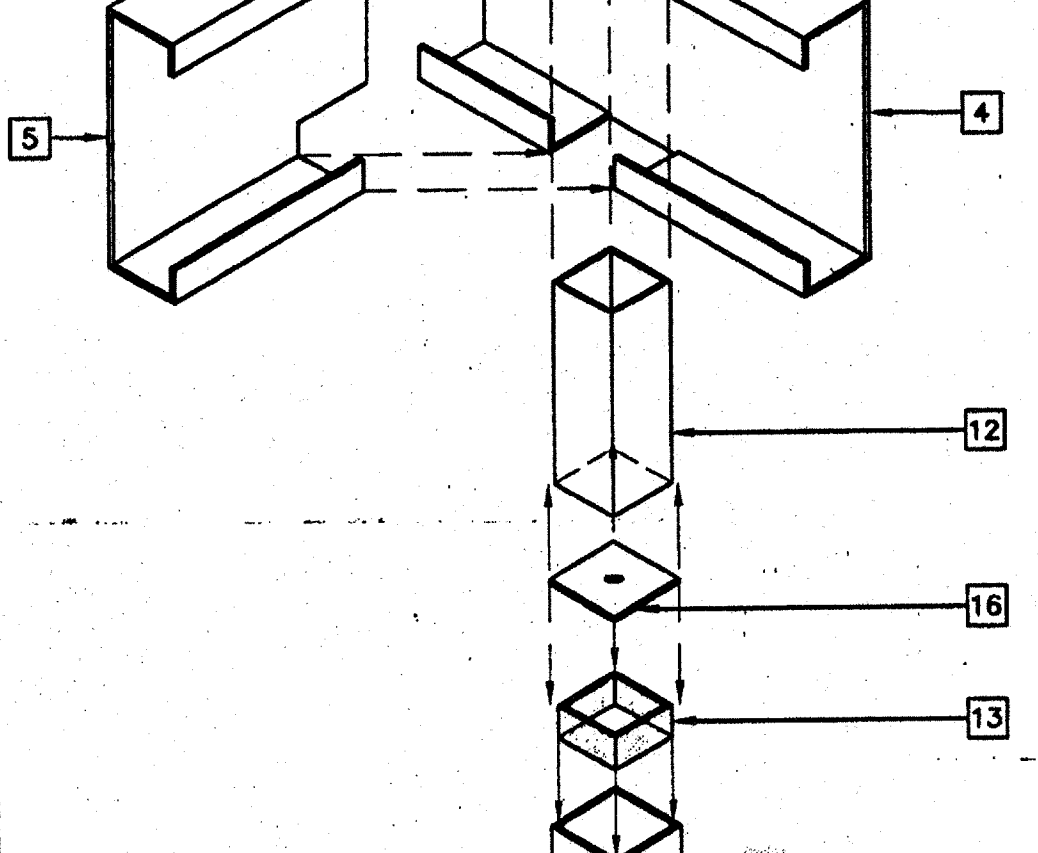
STIFFENER ANGLE 9  
SCALE: 6"=1'-0"



COLUMN AT ROOF 6  
SCALE: 3"=1'-0"

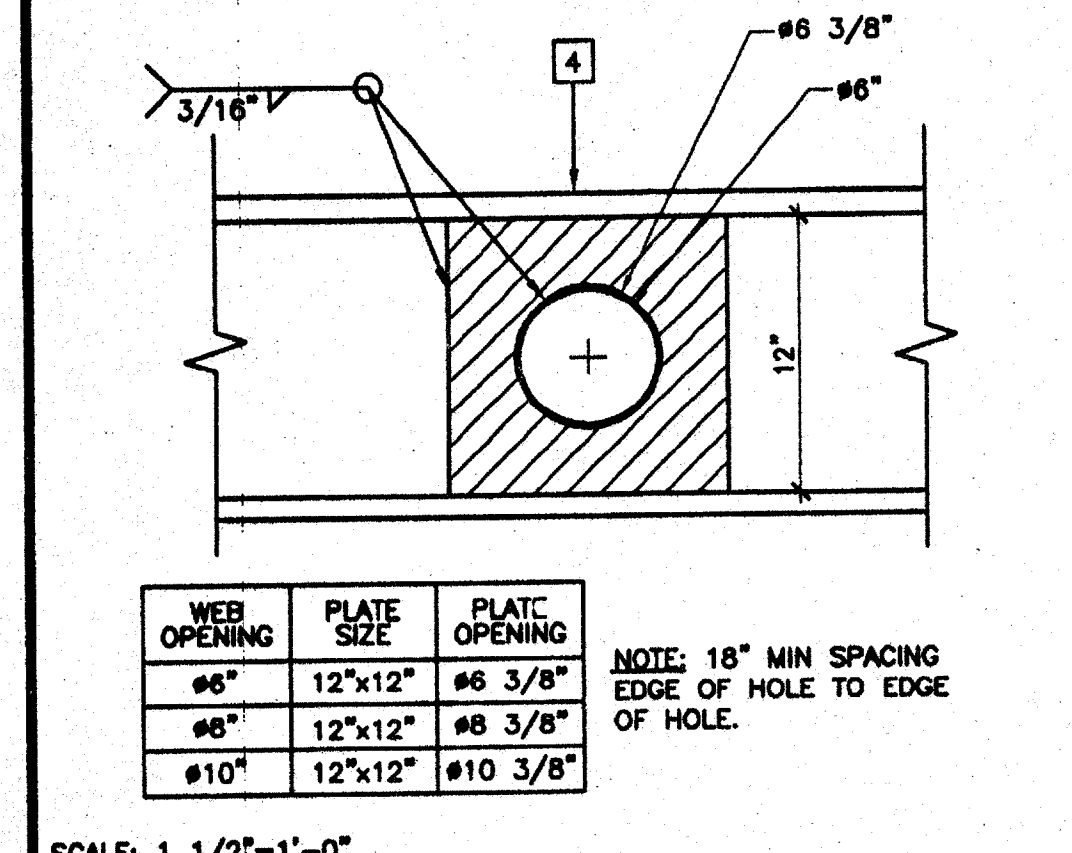


COLUMN AT FLOOR 3  
SCALE: 3"=1'-0"

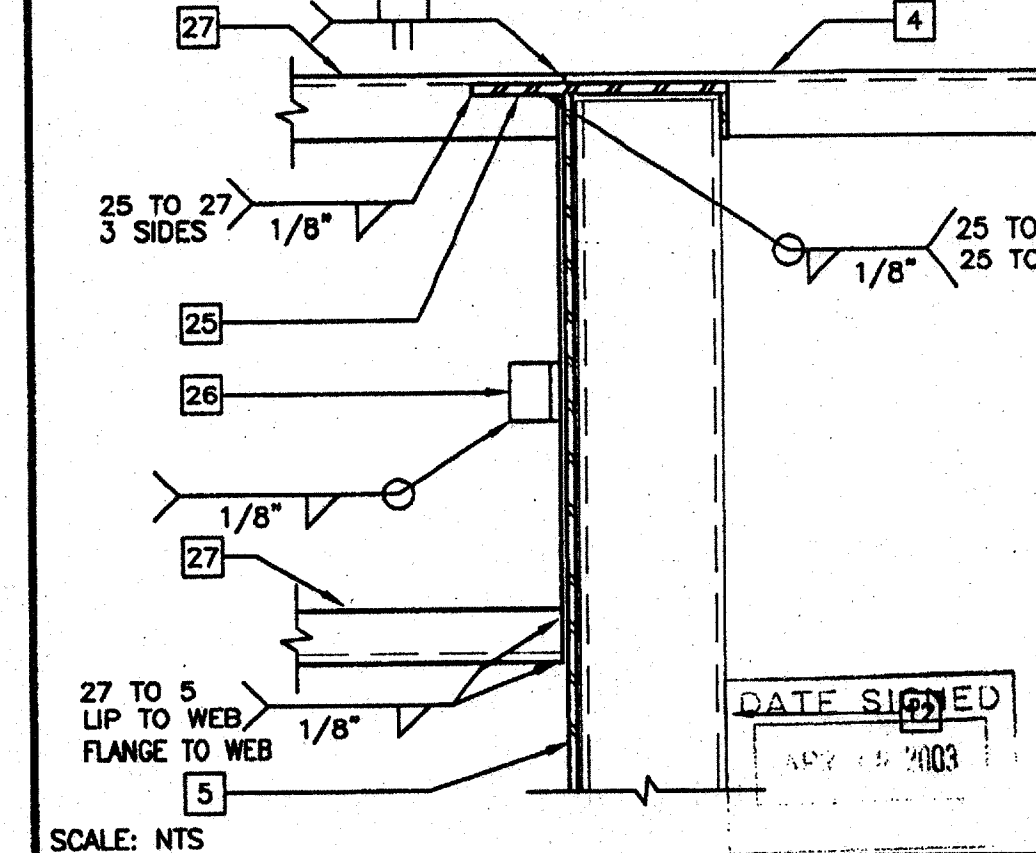


COLUMN AT FLOOR AND ROOF 1  
SCALE: NTS

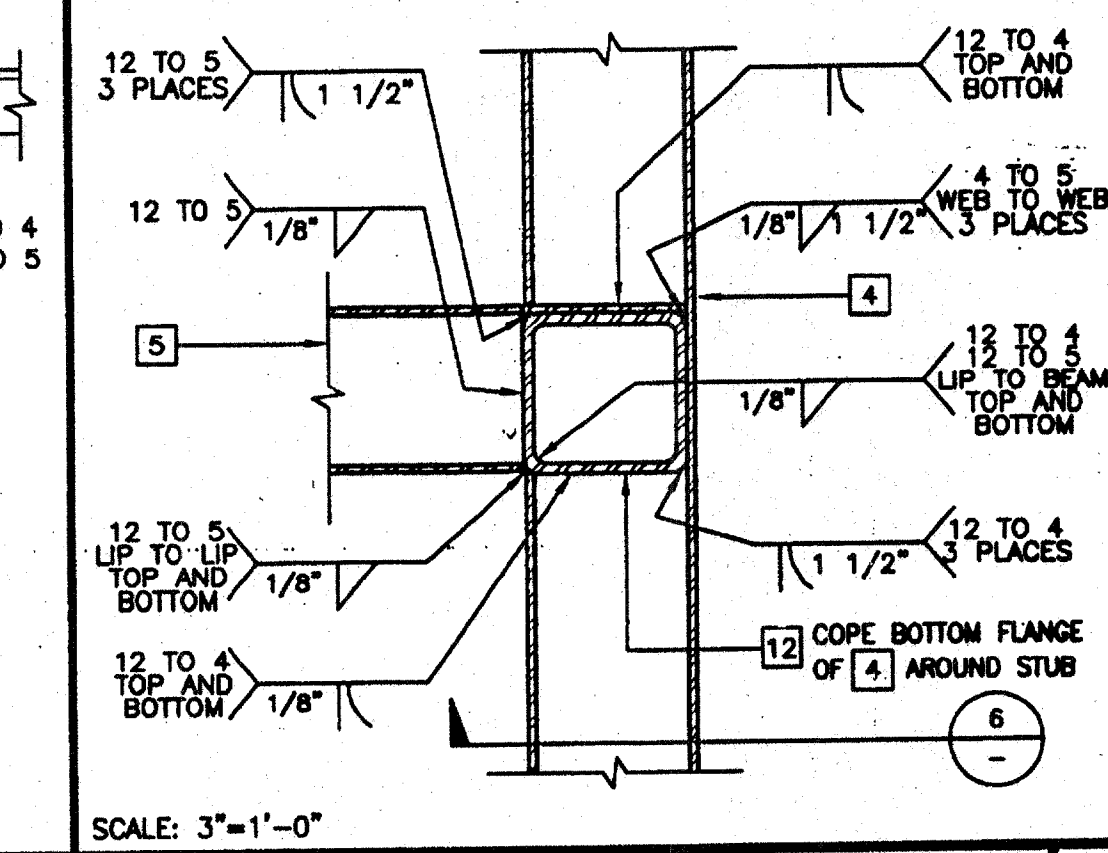
- NOTES**
1. ALL WELDS USED IN PRIMARY MEMBERS AND CONNECTIONS IN THE LATERAL FORCE-RESISTING SYSTEMS SHALL BE MADE WITH A FILLER METAL THAT HAS A MINIMUM CHARPY V-NOTCH TOUGHNESS OF 20 FT/LBS AT MINUS 20 DEGREES F AS DETERMINED BY AWS CLASSIFICATION OR MANUFACTURER CERTIFICATION. (ALL MEMBERS EXCEPT LIGHT GAUGE).



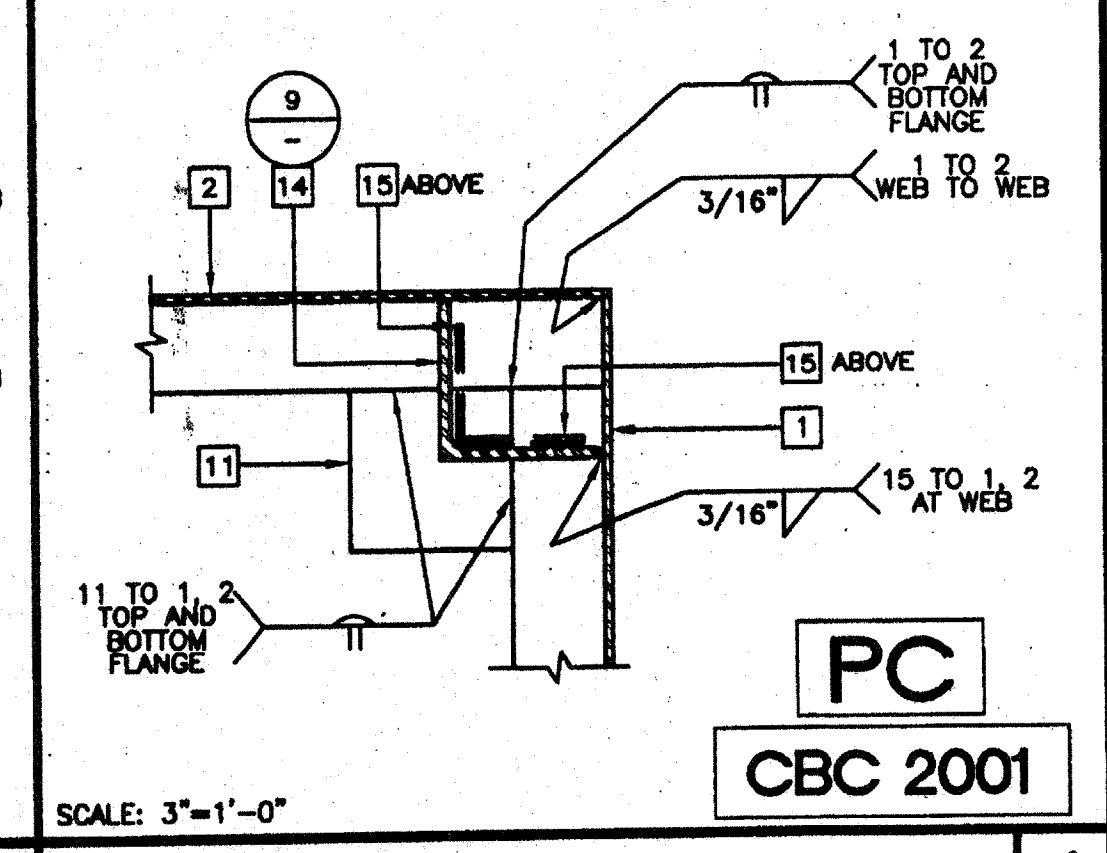
OPTIONAL BEAM PENETRATION 14  
SCALE: 1 1/2"=1'-0"



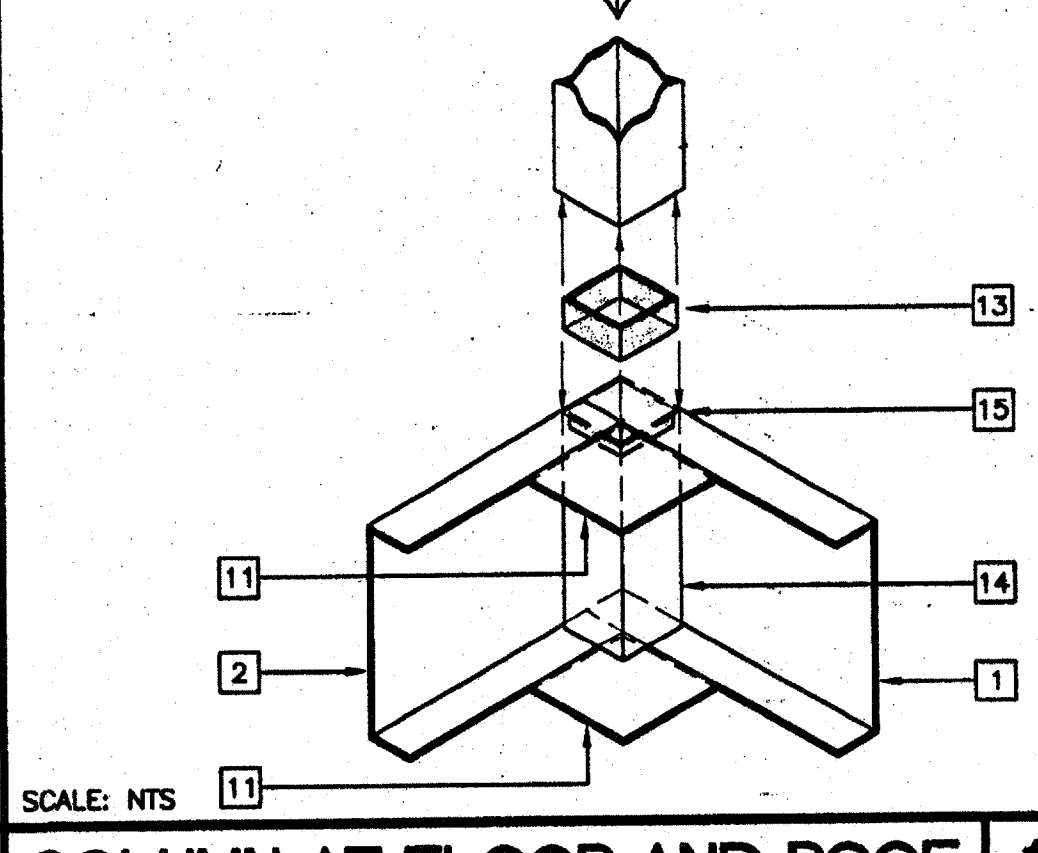
OVERHANG AT ROOF BEAM 10  
SCALE: NTS



COLUMN AT ROOF 6  
SCALE: 3"=1'-0"



STIFFENER AT FLOOR 7  
SCALE: 3"=1'-0"



COLUMN AT FLOOR AND ROOF 1  
SCALE: NTS

**COLUMN SIZE TABLE**

DESIGN WIND LOAD	COLUMN HEIGHT	
	9'-0"	10'-6"
70 MPH	3 1/2"x3 1/2"x1/4"	4"x4"x3/8"
80 MPH	3 1/2"x3 1/2"x5/16"	4"x4"x3/8"
80 MPH WITH 4'-0" PARAPETS		5"x5"x3/8"

**REVISIONS**

NO.	DESCRIPTION

AGENCY TRACKING NO. 82231-267  
FILE NO. 15-6

IDENTIFICATION STAMP  
DIV. OF THE STATE ARCHITECT  
03.118235  
AC: FLS  
DATE: JUL 11 2007

PC Professional Seal  
Architect Seal  
LICENSED ARCHITECT  
STATE OF CALIFORNIA  
104801  
AC: FLS  
DATE: 5/16/03

**MODTECH INC.**  
2830 BARRETT AVENUE PERRIS, CALIF. 92571  
PH (909) 943-4014  
FAX (909) 940-0427

PROJECT NUMBER: 4012-125  
© MODTECH, INC. 2002  
CLASS LEASING INC STOCKPILE # 70  
100-24 x 40 CLASSROOM BUILDINGS  
4012-125 05-22-2003 80 MPH (8 & 12 LIGHTS)

DRAWN BY: STKP-70  
DATE: 05-22-03  
CHECKED BY: DATE:  
MODTECH Index No. S3.02

FILE PATH: 2440-S3.02.DWG PROJECT NO. PC-04-104801