

SEE FLOOR JOIST TABLE FOR APPROPRIATE SPACING

SEE FLOOR JOIST TABLE FOR APPROPRIATE SPACING

FLOOR FRAMING PLAN

DATE SIGNED
APR 16 2003

SCALE: 1/4" = 1'-0"

PC
CBC 2001

NO.	REVISIONS
1	
2	
3	
4	
5	

AGENCY TRACKING NO. 62231-267
FILE NO. 16-6
IDENTIFICATION STAMP
DIV. OF THE STATE ARCHITECT
03118235
AC FLS SS
DATE JUL 11 2017

PC Professional of Record Seal
Architects Seal
STATE OF CALIFORNIA
LICENSE EXPIRES 6-30-2004

IDENTIFICATION STAMP
DIV. OF THE STATE ARCHITECT
OFFICE OF REGULATION SERVICES
PC-04
104801
AC FLS SS
DATE 4/16/03

MODTECH INC.
2830 BARRETT AVENUE PERRIS, CALIF. 92571
PH (909) 943-4014 FAX (909) 940-0427

PROJECT NUMBER:

© MODTECH, INC. 2002

CLASS LEASING INC STOCKPILE # 70
100-24 x 40 CLASSROOM BUILDINGS
4012-125 05-22-2003 80 MPH

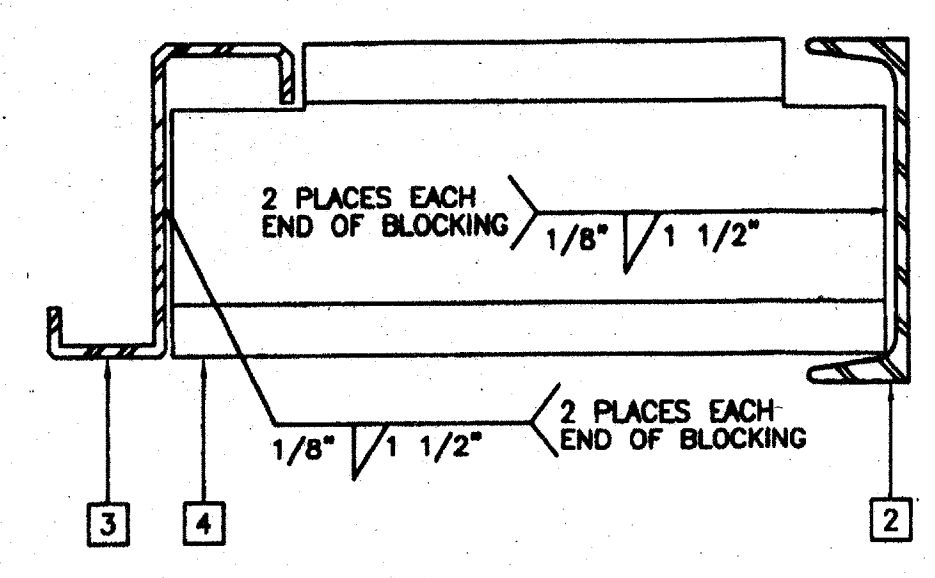
DRAWN BY: STKP-70
DATE: 05-22-03
CHECKED BY:
DATE:

FLOOR FRAMING PLAN

WOOD FLOOR

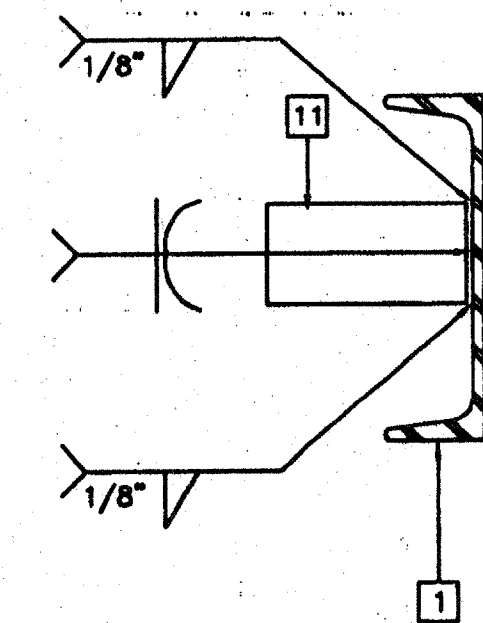
IDENTIFICATION STAMP
DIV. OF THE STATE ARCHITECT
OFFICE OF REGULATION SERVICES
04 105299
DATE MAY 2 2003

S1.01



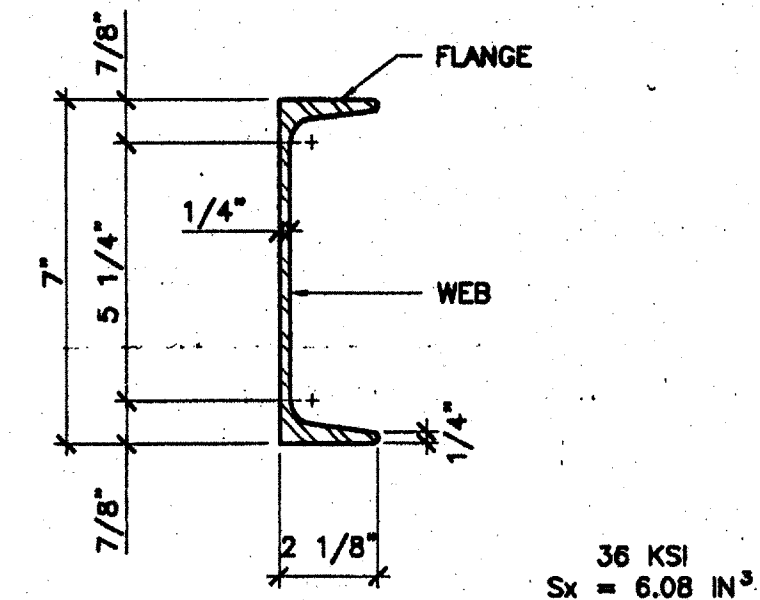
SCALE: NTS

FLOOR HEADER BLOCKING



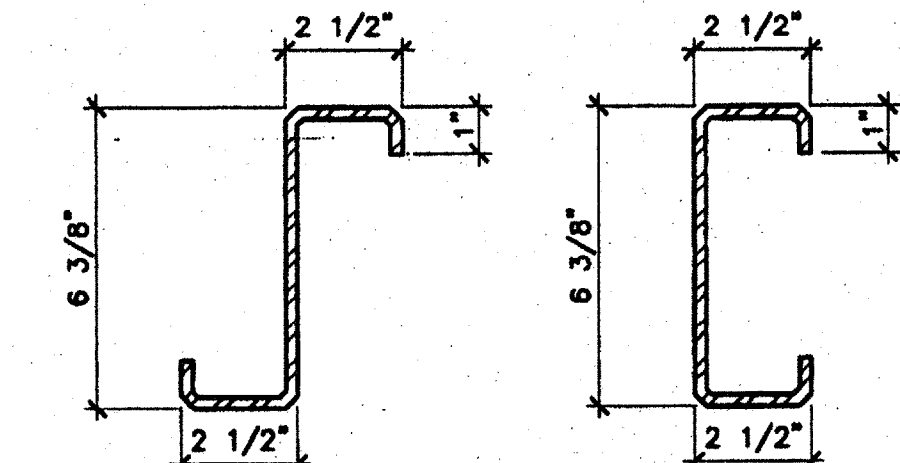
SCALE: NTS

SHIPPING HOLD DOWN



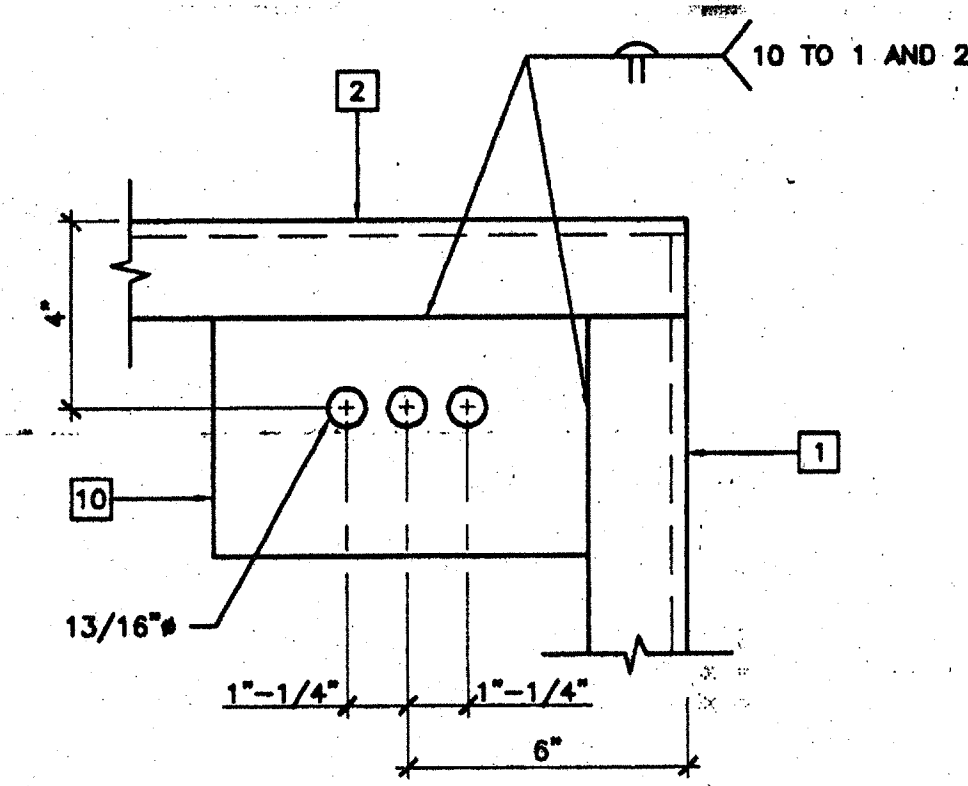
SCALE: 3"=1'-0"

FLOOR BEAM/HEADER



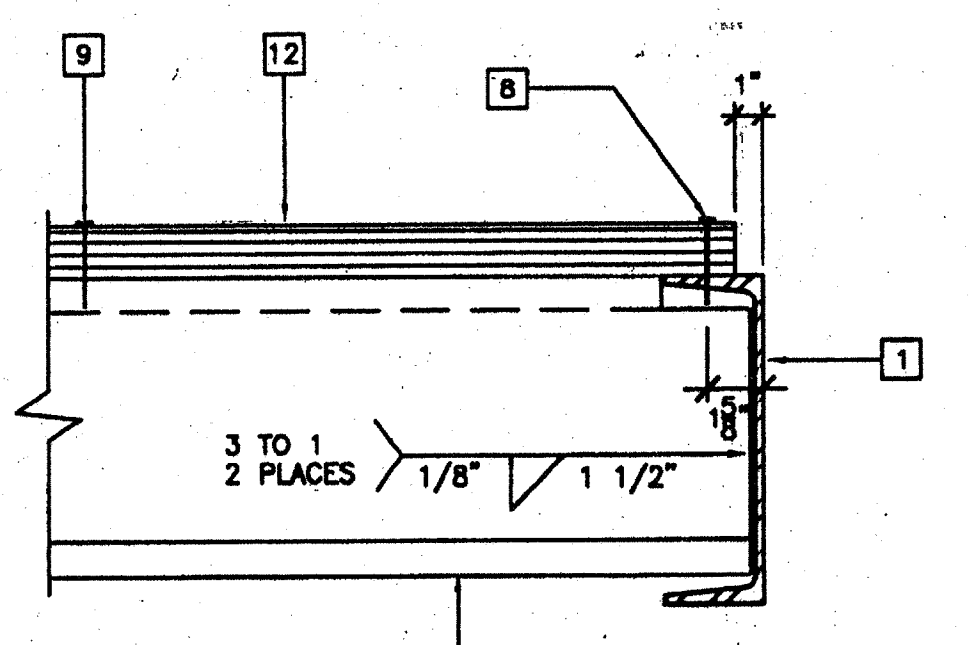
SCALE: 3"=1'-0"

FLOOR JOIST



SCALE: 3"=1'-0"

ANCHOR PLATE CONCRETE FOUNDATION



SCALE: NTS

FLOOR JOIST TO FLOOR BEAM

KEY NOTES

- [1] FLOOR BEAM, COPE TO MATE WITH HEADER - 1/S1.01
- [2] FLOOR HEADER - 1/S1.01
- [3] FLOOR JOIST - 2/S1.01
- [4] BLOCKING AT MIDSPAN OF FLOOR HEADER - 2/S1.01
- [5] 1 1/16" HOLE AT MIDDEPTH FOR HANDLING
- [6] 1 1/16" MODLINE BOLT HOLE - 2/S3.01
- [7] 5" SQUARE HAND HOLES AT EACH MODLINE BOLT LOCATION
- [8] EDGE NAILING AT FLOOR BEAM OR HEADER - #10 x 1 3/4" SELF TAPPING FLAT HEAD SCREWS AT 6" OC
- [9] EDGE NAILING OR FIELD NAILING - AEROSMITH BZH .144 SHOT PINS (ICBO NO. ER-5667) AT 6" OC, FIELD NAILING TO BE 10" OC FOR PURLIN SPACING OF 32" OR LESS
- [10] 5" x 8" x 1/4" STEEL ANCHOR PLATE FOR OPTIONAL CONCRETE FOUNDATION ONLY
- [11] 3 1/2" x 3 1/2" x 1/4" TUBE STEEL CUT TO 1 3/4" LENGTH - SHIPPING HOLD DOWN
- [12] PLYWOOD FLOOR SHEATHING: APA PS 1-95, 1 1/8" THICK STURD-FLOOR WITH 48" OC SPAN RATING - LAYOUT PATTERN SHOWN IS TYPICAL

NOTE:
ALL COLD-FORMED SECTION PROPERTIES SHOWN ARE GROSS PROPERTIES

FLOOR JOIST TABLE

LIVE LOAD	STANDARD JOIST SPACING	UPGRADE TO STIFFEN FLOOR		
		OPTIONAL JOIST SPACING		
50 PSF	48"	32"	24"	16"
50 + 20 PSF	32"	24"	16"	12"
100 PSF	24"	16"	12"	N/A
125 PSF	16"	12"	N/A	N/A

FILE PATH: 2440-S1.01.DWG

PROJECT NO. PC-04-104801