

ELECTRICAL PANEL SCHEDULE

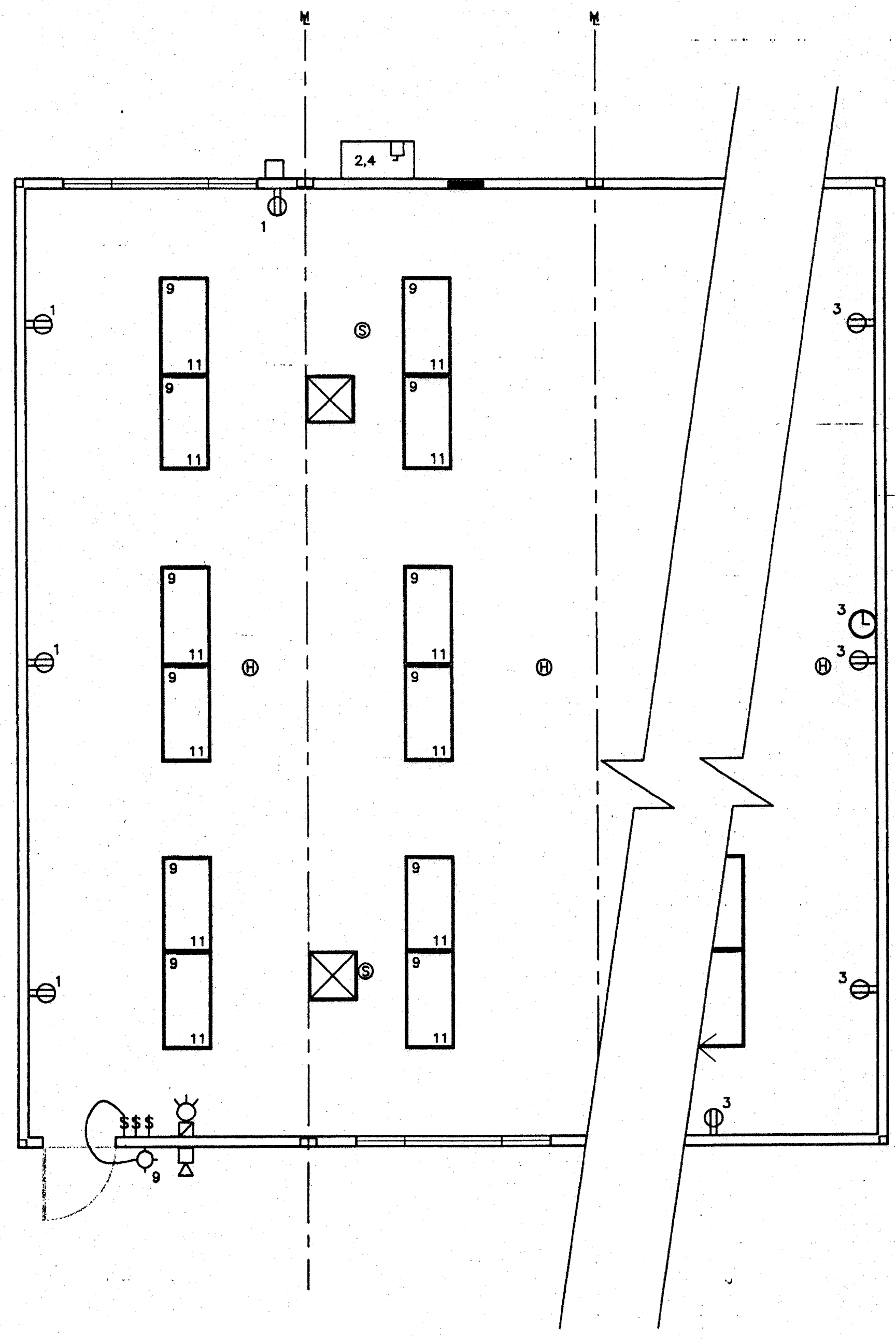
LOAD	WATTS		BREAKER		A		B		BREAKER		WATTS		LOAD
	AP	BP	Amps	P	1	2	3	4	5	6	7	8	
RECEPTACLE	720		20	1	1				2	2	60	7080	HVAC (3 1/2T)
RECEPTACLE/CLOCK			900	20	1	3			4			7080	HVAC (3 1/2T)
						5			6				
						7			8				
INT/EXT LIGHTS	900		20	1	9				10				
INT. LIGHTS			840	20	1	11			12			40	FIRE ALARM (DEDICATED)
WATTS/PHASE	A = 8740		1620	1740							7120	7080	B = 8820
TOTAL	17560	WATTS	73	AMPS	120/240		VOLTS		SINGLE #		THREE WIRE		

GENERAL GROUNDING NOTES

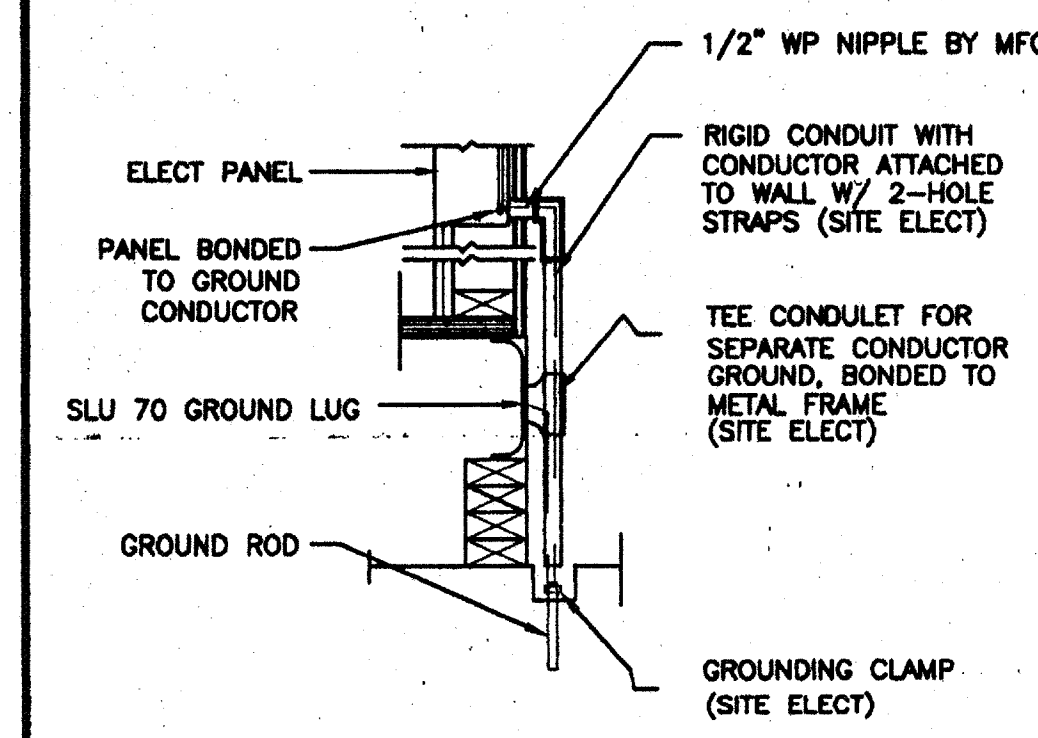
- EACH BUILDING SHALL BE SEPARATELY GROUNDED WITH A 3/4" RD. X 8' COPPERCLAD STEEL GROUND ROD. WHERE ROCK BOTTOM IS ENCOUNTERED, ROD SHALL BE DRIVEN AT AN ANGLE NOT TO EXCEED 45 DEGREES FROM THE VERTICAL OR SHALL BE BURIED IN A TRENCH THAT IS AT LEAST 30" DEEP (BY SITE ELECTRICAL)
- TESTING: TEST FOR RESISTANCE TO GROUND. IF RESISTANCE EXCEEDS 25 OHMS, INSTALL ADDITIONAL GROUND RODS SEPARATED AT LEAST 6'-0" UNTIL RESISTANCE IS REDUCED TO 25 OHMS OR LESS. (BY SITE ELECTRICAL)
- APPROVAL OF THIS PLAN DOES NOT CONSTITUTE APPROVAL OF THIS FIRE ALARM FOR ALL SITES. THE FIRE ALARM SYSTEM AND/OR COMPONENTS MAYBE REQUIRED TO BE CHANGED DUE TO SITE LOCATION, EXISTING CONDITIONS OR INCOMPATIBLE COMPONENTS.
- GROUND MG TEST SHALL BE DONE IN THE PRESENCE OF THE PROJECT INSPECTOR. ALL GROUNDING SHALL BE IN ACCORDANCE WITH CEC ARTICLE 250.

ELECTRICAL LEGEND

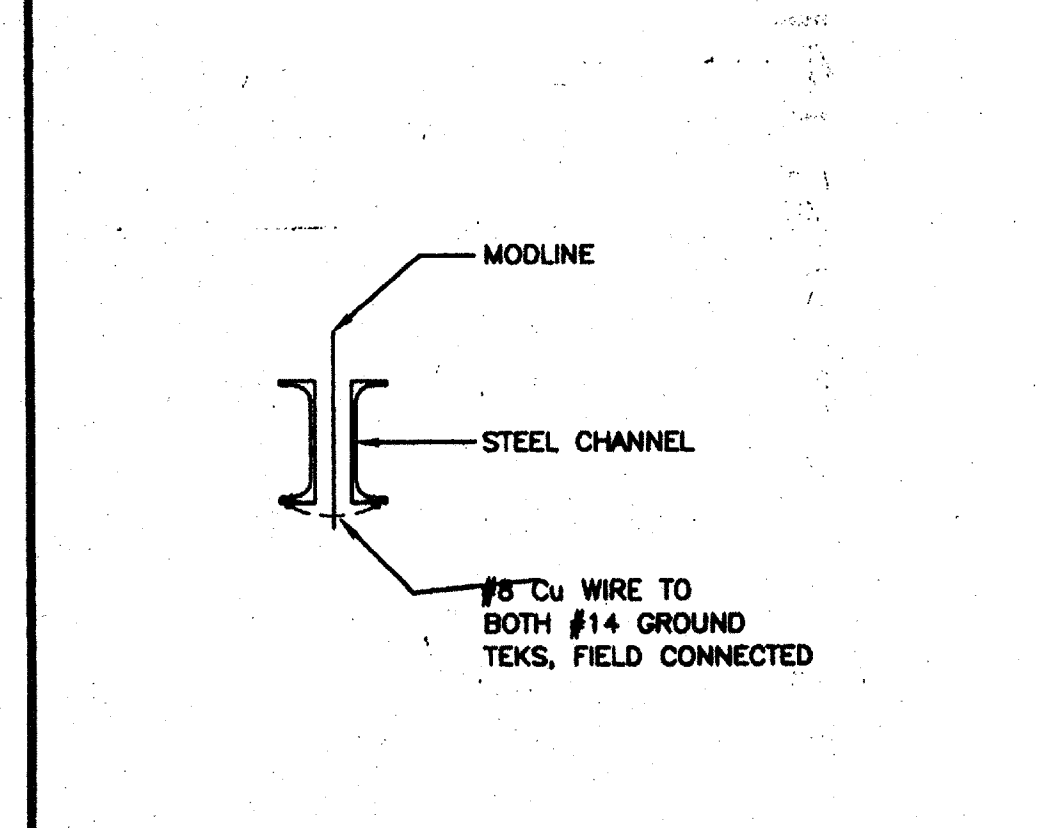
- 2'x4' 4 TUBE FLUORESCENT LIGHT FIXTURE WITH T-8 ELECTRONIC BALLAST
- EXTERIOR LIGHT FIXTURE AT +93" AFF
- SWITCH AT +48" AFF
- 3WAY SWITCH AT +48" AFF UON
- DUPLEX WALL RECEPTACLE 15A 125V 3-WIRE AT +18" AFF UON
- HVAC UNIT (HV)
- 4SD J-BOX FOR FIRE ALARM PULL STATION AT +48" AFF, 3/4" CO TO PULLSTRING
- PULLSTRING.
- PULLSTRING
- WEATHER PROOF GUTTER BOX (6"x6"x4") AT +18" AFF RECEIVE 3/4" CO FROM FA DEVICE, PULLSTRING
- ELECTRICAL PANEL AT +60" AFF TO CENTERLINE 1 1/4" POWER NIPPLE POC, GND JUMPER BY SITE ELECT
- CLOCK AT +90" AFF
- LIGHTED EXIT SIGN WITH BATTERY BACK UP (SEE NOTE 3 BELOW FOR CODE)
- 4SD J-BOX FOR HEAT DETECTOR (ATTIC) MAX 35' FROM ANY POINT IN ATTIC BAY AND 50' BETWEEN THEM. * (TO BE SITE SPECIFIC)
- 4SD J-BOX FOR SMOKE DETECTOR (CEILING) MAX 21' FROM ANY POINT IN ROOM AND 30' BETWEEN THEM. * (TO BE SITE SPECIFIC)



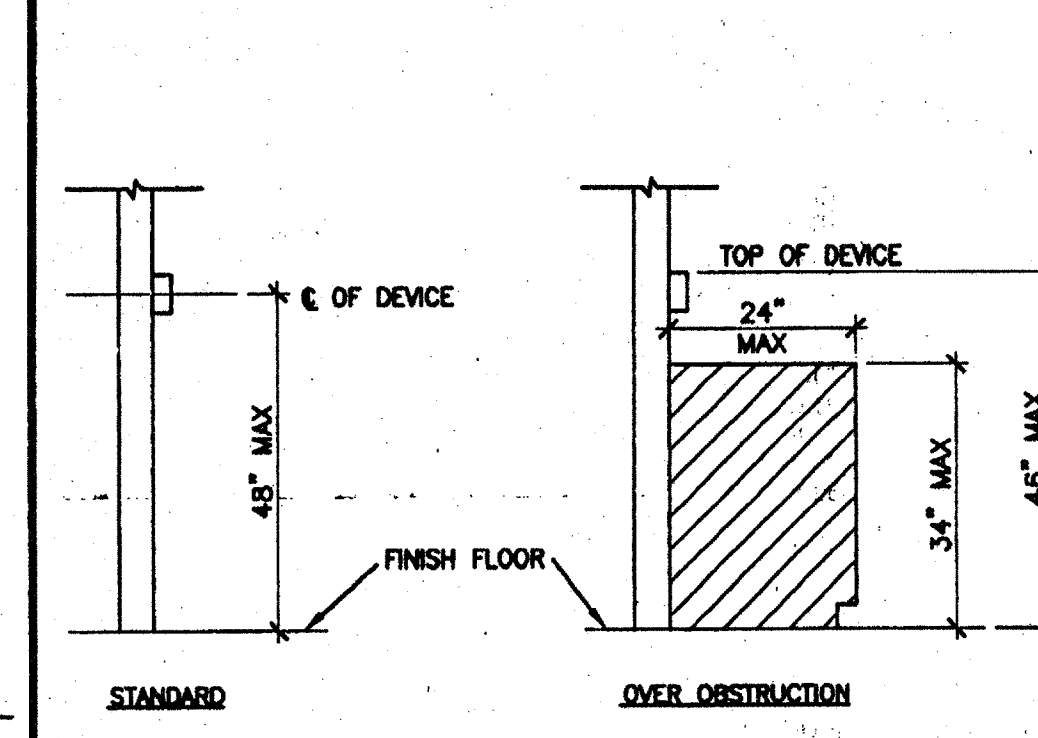
ELECTRICAL PLAN (12-LIGHTS)



TYP GROUNDING DETAIL 1



GROUND JUMPER AT MOD LINE 2



DEVICE MOUNTING 3

NOTES

- NOTE FOR THE DESIGN PROFESSIONAL:
THE FOLLOWING INSTRUCTIONS ARE MEANT TO BE FOLLOWED. THE DESIGN PROFESSIONAL SHALL PROVIDE ANCHORAGE CALCULATIONS AND DETAILS WITH THE SUBMITTAL PACKAGE, USING THE FOLLOWING DESIGN CRITERIA AND SHOULD BE READY TO POINT OUT DURING THE BACKCHECK PROCESS TO THE PLAN REVIEWER ANY EQUIPMENT FOR WHICH ANCHORAGE DETAILS ARE NOT PROVIDED.
- SCHOOL EQUIPMENT ANCHORAGE**
INSTRUCTIONS
ALL EQUIPMENT/COMPONENTS DIRECTLY SUPPORTED ON THE GROUND OR ROOF WITH Wp EXCEEDING 400 lbs., EQUIPMENT WEIGHING MORE THAN 20 lbs. SUSPENDED FROM A ROOF, FLOOR OR HUNG FROM A WALL SHALL HAVE ITS CORRESPONDING STRUCTURAL CALCULATIONS AND ANCHORAGE DETAIL(S) SHOWN ON THE PLANS, PRIOR TO SUBMITTAL FOR PLAN REVIEW AND BACKCHECK. ALL EQUIPMENT (REGARDLESS OF WEIGHT) SHALL HAVE THEIR CONNECTION TO THE STRUCTURE SHOWN IN THE PLANS
DESIGN CRITERIA
a) THE SEISMIC ANCHORAGE FOR ALL MECHANICAL AND ELECTRICAL EQUIPMENT SHALL BE DESIGNED TO WITHSTAND A LATERAL FORCE:
1- CALCULATED AS SPECIFIED IN SECTION 1632A AND TABLE 16A-0 OF THE VOL. 2, TITLE 24, 2001 CBC.
2- IN LIEU OF CALCULATIONS PER 1- THE ANCHORAGE SHALL BE CAPABLE OF WITHSTANDING A LATERAL FORCE EQUAL TO 2.2 Wp ACTING SIMULTANEOUSLY WITH A VERTICAL FORCE *EQUAL TO 0.72 Wp (BOTH FORCES AT SERVICE LEVEL, THESE VALUES CORRESPOND TO AN Ip=1.15 AND Co=0.86, FOR OTHER VALUES OF Ip AND Co, THE LATERAL AND VERTICAL FORCE CAN BE ADJUSTED ACCORDINGLY)
*INCLUSION OF VERTICAL FORCE PER TABLE 16-0 FOOTNOTE 20 (FOR EMERGENCY POWER SUPPLIES AND COMMUNICATIONS EQUIPMENT ONLY)
b) THE CAPACITY OF THE ANCHORAGE CONNECTORS IN SHEAR AND/OR TENSION SHALL BE CLEARLY INDICATED IN THE CALCULATIONS, WHICH INDICATE ICBO REPORT NO. (IF APPLICABLE) THEIR TOTAL NUMBER, SIZE, GRADE, EMBEDMENT, EDGE DISTANCES, AND OTHER FACTORS WHICH AFFECT THE CAPACITY IN SHEAR TENSION.
ANCHORAGE DETAILS FOR EQUIPMENT WHICH ARE NOT APPROVED DURING PLAN REVIEW ARE SUBJECT TO APPROVAL OF THE STRUCTURAL ENGINEER OF RECORD AND DSA'S DISTRICT STRUCTURAL ENGINEER PRIOR TO INSTALLATION AND INSPECTION BY THE PROJECT INSPECTOR.
 - SMOKE AND HEAT DETECTORS SHOWN ARE FOR OPTIONAL AUTOMATIC DETECTION. IF ELECTED AS AN OPTION, MODTECH WILL PROVIDE 4SD BOXES AND 3/4" CO. ON UNDERSIDE OF ROOF PURLINS. DEVICES PROVIDED AND INSTALLED BY OTHERS.
 - PROVIDE EXITS SIGNS AND EMERGENCY ILLUMINATION FIXTURES AS REQUIRED BY CBC 1003.2.8 AND CBC 1003.2.9
EXIT SIGNS SHALL BE READILY VISIBLE FROM ANY DIRECTION OF APPROACH. EXIT SIGNS SHALL BE LOCATED AS NECESSARY TO CLEARLY INDICATE THE DIRECTION OF EGRESS TRAVEL. NO POINT SHALL BE MORE THAN 100 FEET FROM THE NEAREST VISIBLE SIGN.
EXCEPTION: WHERE AN OCCUPANT LOAD IS LESS THAN 50
4012-125

REVISIONS

AGENCY TRACKING NO. 62231-267
FILE NO. 15-6
IDENTIFICATION STAMP
DIV. OF THE STATE ARCHITECT
OFFICE OF REGULATION SERVICES
03110235
AC. PLS. SS.
DATE JUL 11 2017

PC Professional of Record Seal
Architects Seal
IDENTIFICATION STAMP
DIV. OF THE STATE ARCHITECT
OFFICE OF REGULATION SERVICES
PC-04
104801
AC. PLS. SS.
DATE MAY 21 2003

MODTECH™
2830 BARRETT AVENUE PH (909) 943-4014
PERRIS, CALIF. 92571 FAX (909) 940-0427

PROJECT NUMBER: © MODTECH, INC. 2002
DRAWN BY: STK P-70
DATE: 05-22-03
CLASS LEASING INC STOCKPILE # 70
100- 24 x 40 CLASSROOM BUILDINGS
4012-125 05-22-2003 80 MPH
CHECKED BY: DATE:
MODTECH Index No.
E1.03

FILE PATH: 2440-E1.03.DWG PROJECT NO. PC-04-104801