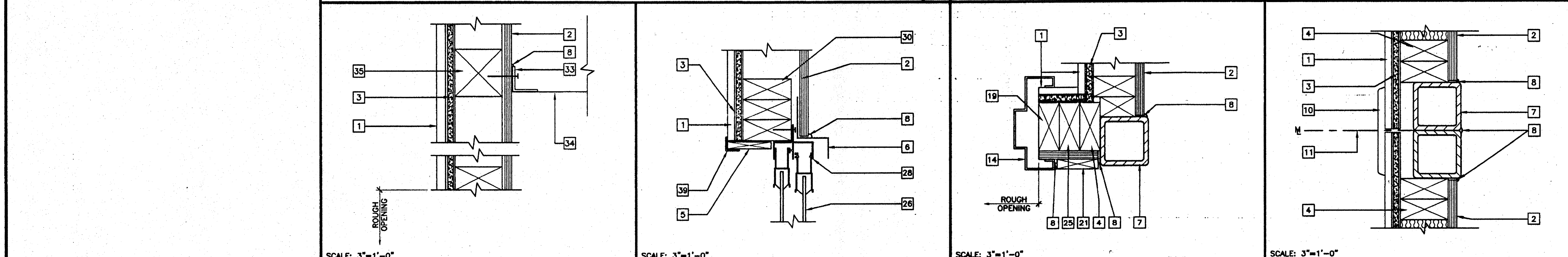
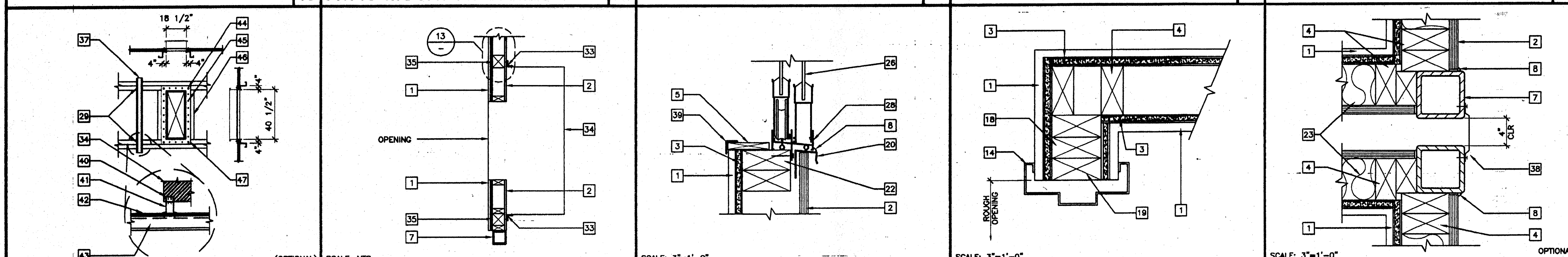


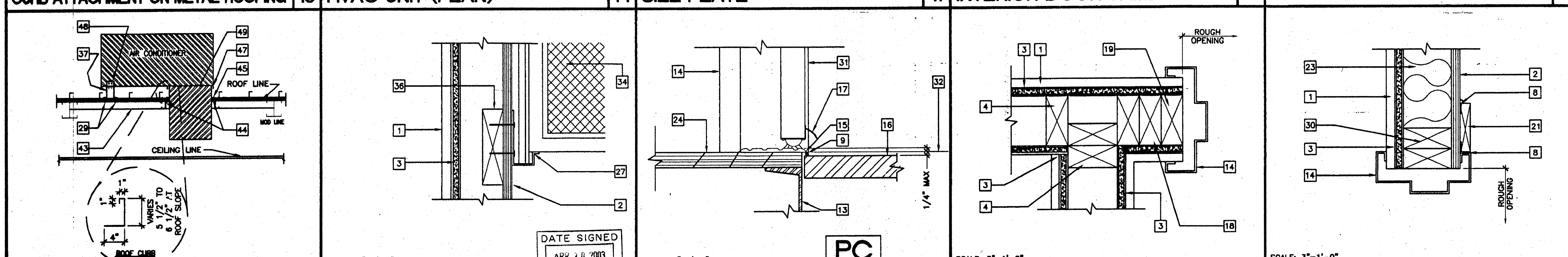
SCALE: 3"=1'-0" **WINDOWS SECTION AT JAMBS** 9 **EXTERIOR DOOR JAMB** 5 **COLUMN AT CORNER** 1



SCALE: 3"=1'-0" **16 HVAC MOUNT AT JAMBS** **13 WINDOW HEADER** **10 EXTERIOR DOOR JAMB** **6 COLUMN AT MODLINE** 2



SCALE: NTS (OPTIONAL) **18 HVAC UNIT (PLAN)** **14 SILL PLATE** **11 INTERIOR DOOR JAMBS** **7 CLOSURE BETWEEN BUILDINGS** 3



SCALE: 3"=1'-0" (OPTIONAL) **19 HVAC UNIT AT BOTTOM** **15 THRESHOLD** **12 INTERIOR DOOR JAMBS** **8 EXTERIOR DOOR HEADER** 4

- ### KEY NOTES
- 1 TYPICAL INTERIOR FINISH (FIN) - 1/A6.02
 - 2 TYPICAL EXTERIOR FINISH (SEE EXTERIOR ELEVATIONS)
 - 3 1/2" GYPSUM BOARD BACKING WITH 7d COOLER NAILS AT MAX 7" OC TYPICAL AT EACH STUD
 - 4 2"x4" STUD TYPICAL
 - 5 INTERIOR WOOD TRIM
 - 6 26 GA DRIP FLASHING
 - 7 STEEL COLUMN (STR)
 - 8 SEALANT (TYPICAL, SEE SPECS.)
 - 9 CAULKING
 - 10 CLOSURE
 - 11 MODLINE (M)
 - 12 NOT USED
 - 13 FLOOR BEAM (STR)
 - 14 PRESSED STEEL FRAME - 1.4/A6.01
 - 15 ALUMINUM THRESHOLD - 1/4" WITH 2:1 BEVEL - 7/A6.01
 - 16 FINISH LANDING
 - 17 DOOR BOTTOM - 7/A6.01
 - 18 (2) 2"x4" KING STUD
 - 19 2"x4" TRIMMER STUD
 - 20 26 GA 'J' MOLD
 - 21 1"x4" WOOD TRIM WITH 8d ELECTRO GALVANIZED AT 12" OC
 - 22 SILL PLATE
 - 23 INSULATION (SEE SPECS. FOR SIZE AND TYPE)
 - 24 FINISH FLOORING - 1/A6.02
 - 25 2"x4" FULL HEIGHT JAMB STUDS
 - 26 WINDOW GLAZING - 1/A6.01
 - 27 HVAC UNIT BOTTOM SEAT 12 GA#24" LONG WITH (6) 3/8" DIA#2" LAG BOLTS
 - 28 ALUMINUM NAIL ON WINDOW FRAME. INSTALL WITH 8d BOX ELECTRO GALVANIZED NAILS AT 24" OC MAXIMUM WITH MINIMUM 3" BUILDING PAPER BETWEEN FRAME AND WALL
 - 29 #14 x2" SMS INTO PURLIN (TYP 4 PLACES)
 - 30 DOOR HEADER
 - 31 DOOR - 4/A6.01
 - 32 FINISHED FLOOR LINE
 - 33 HVAC SIDE BRACKET (FURNISHED WITH UNIT) ATTACH TO WALL WITH 3/8"x2" LAG SCREWS
 - 34 HVAC UNIT (HV)
 - 35 4"x4" POST OR ALTERNATE - (2) 2"x4" FULL HEIGHT STUDS WITH 1/2" PLYWOOD SPACER STITCH NAILED WITH 16d AT 12" OC STAGGERED
 - 36 2"x6" LET-IN
 - 37 18 GA GALVANIZED IRON HAT
 - 38 CLOSURE SCREEN
 - 39 CORNER MOLDING
 - 40 18 GA x2" WIDE ANGLE WITH 2-#10 SMS EACH LEG
 - 41 18 GA x2" WIDE 5 1/2" DEEP 5' LONG RUNNER
 - 42 3/4" PLYWOOD SHEATHING
 - 43 14 GA x2" ROOF PURLIN AT 48" OC
 - 44 #14 x2" SMS THRU ROOF CURBS INTO PURLIN (TYP 4 PLACES)
 - 45 #8x3/4" SMS AT 5" OC MIN
 - 46 ROOF PURLIN
 - 47 24 GA ROOF CURB SECURE TO ROOF
 - 48 18 GA x2" W/ANGLES SECURE TO A/C UNIT W/2 #10 SMS SECURE TO UNIT W/1 #14 SMS (TYP 2 PLACES)
 - 49 #10 x3/4" SMS (TYP 4 PLACES)

NO.	REVISIONS

AGENCY TRACKING NO. 02231-247
FILE NO. 15-6
IDENTIFICATION STAMP
DIV. OF THE STATE ARCHITECT
03118235
AC FLS SS
DATE JUL 11 2011

PC Professional of Record Seal
Architects Seal
REGISTERED PROFESSIONAL ENGINEER
STATE OF CALIFORNIA
NO. 3602
DATE APR 18 2003
PC

IDENTIFICATION STAMP
DIV. OF THE STATE ARCHITECT
OFFICE OF REGULATION SERVICES
PC-04
104801
AC FLS SS NV
DATE MAY 2 2003

MODTECHTM inc.
2830 BARRETT AVENUE PH (909) 943-4014
PERRIS, CALIF. 92571 FAX (909) 940-0427

PROJECT NUMBER: © MODTECH, INC. 2002
DRAWN BY: STKP-70
DATE: 05-22-03
CLASS LEASING INC STOCKPILE # 70
100-24 x 40 CLASSROOM BUILDINGS
4012-125 05-22-2003 80 MPH
MODTECH Index No.
A4.31

IDENTIFICATION STAMP
DIV. OF THE STATE ARCHITECT
OFFICE OF REGULATION SERVICES
04 105299
AC FLS SS NV
DATE MAY 2 2003