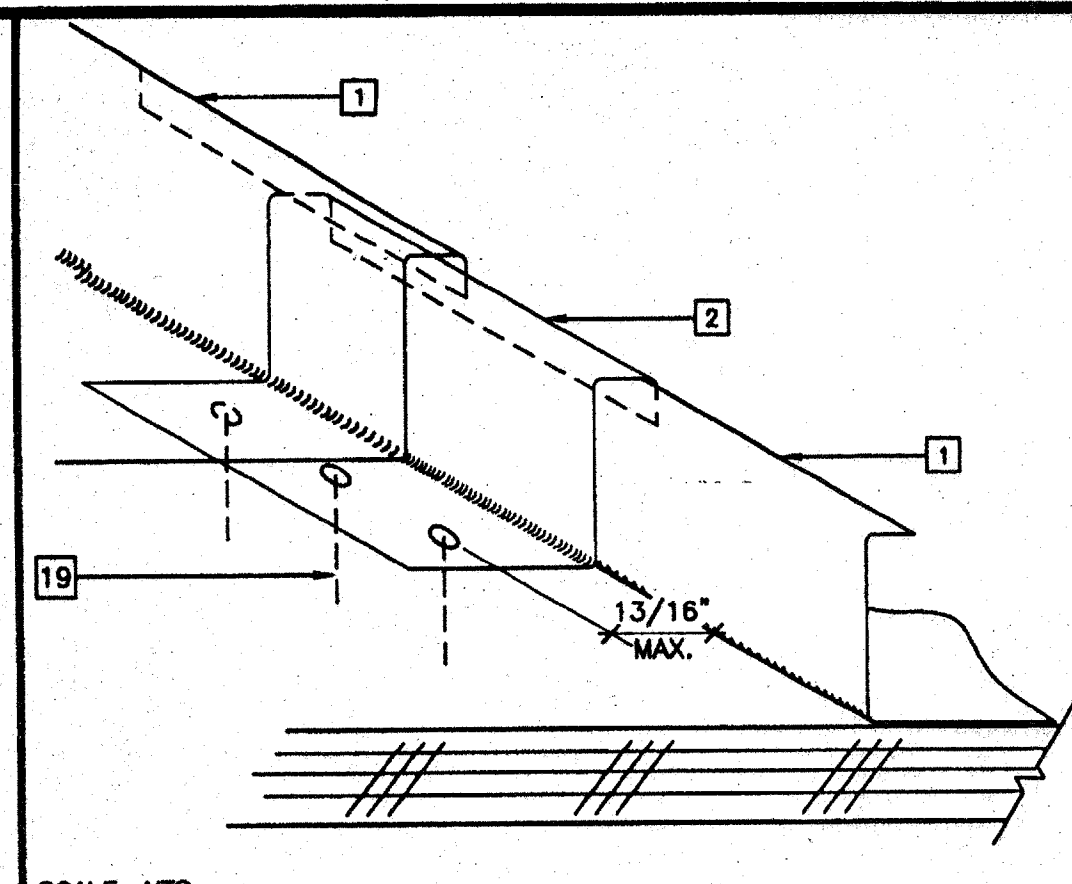
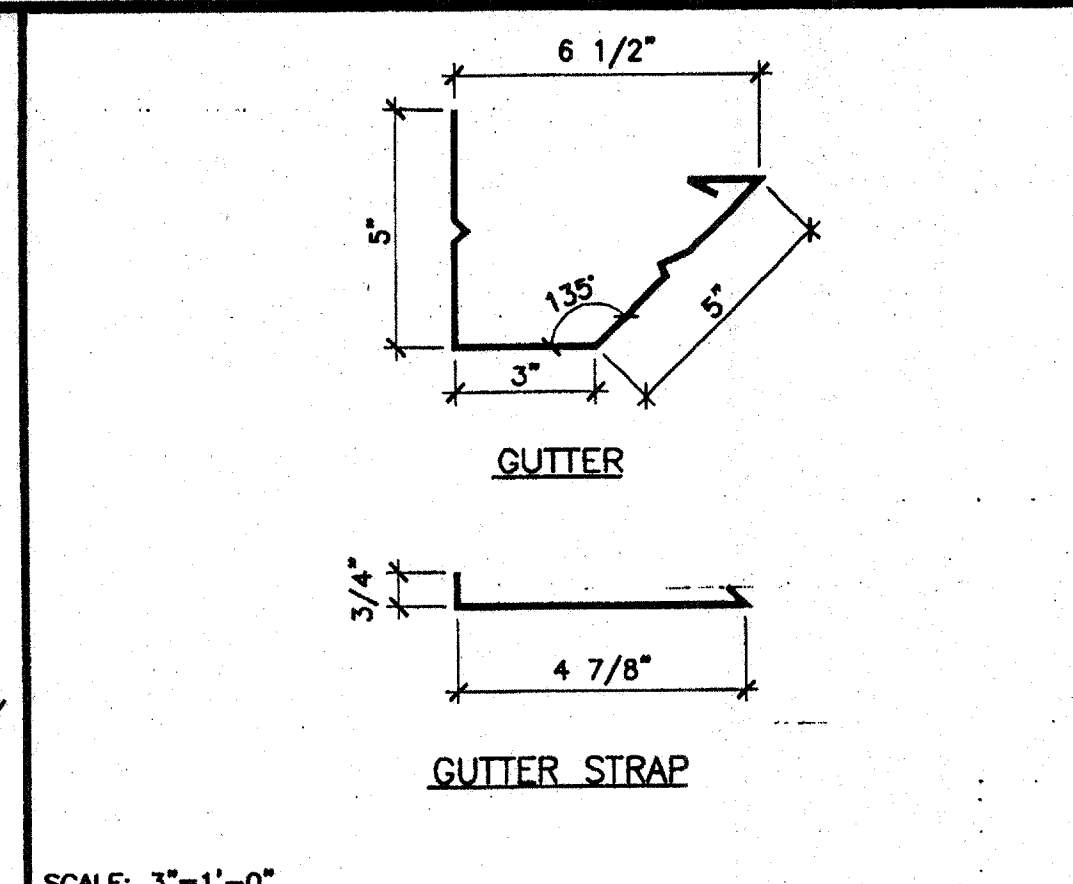


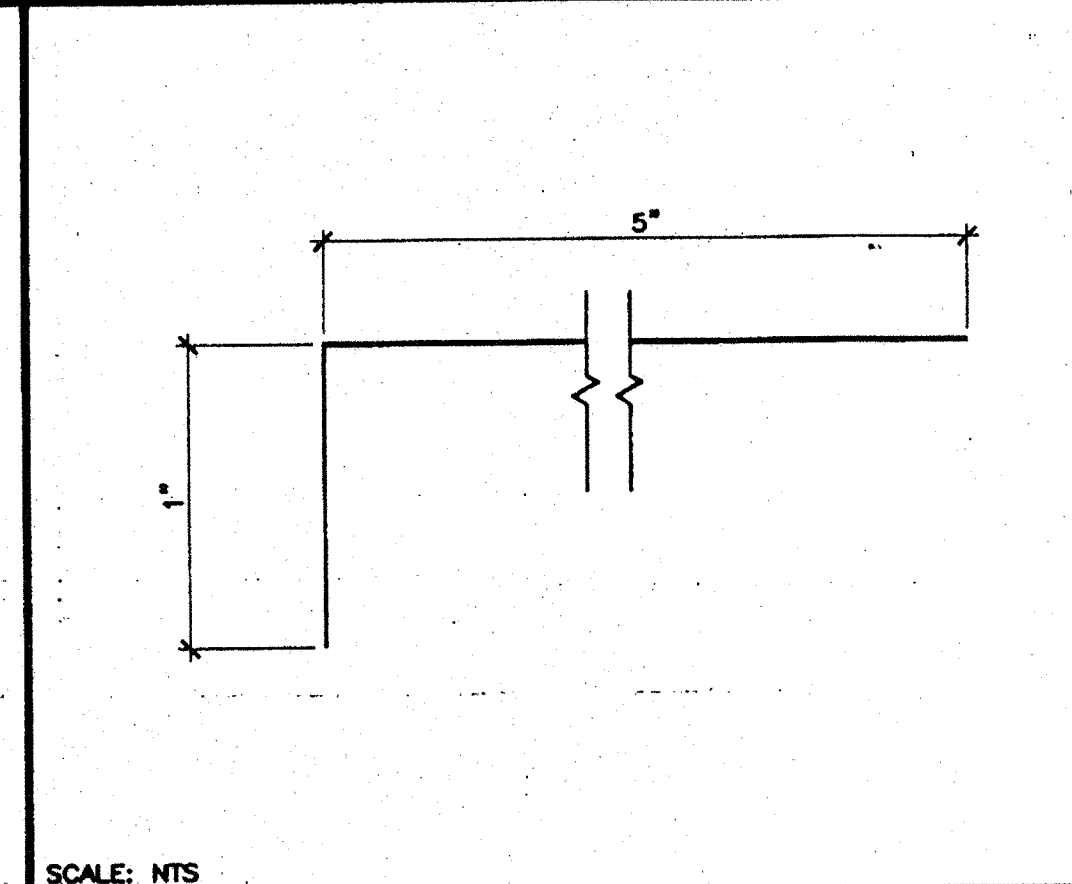
SCALE: 3"=1'-0"  
**ROOF FLASHING AT HIGH SIDE 17**



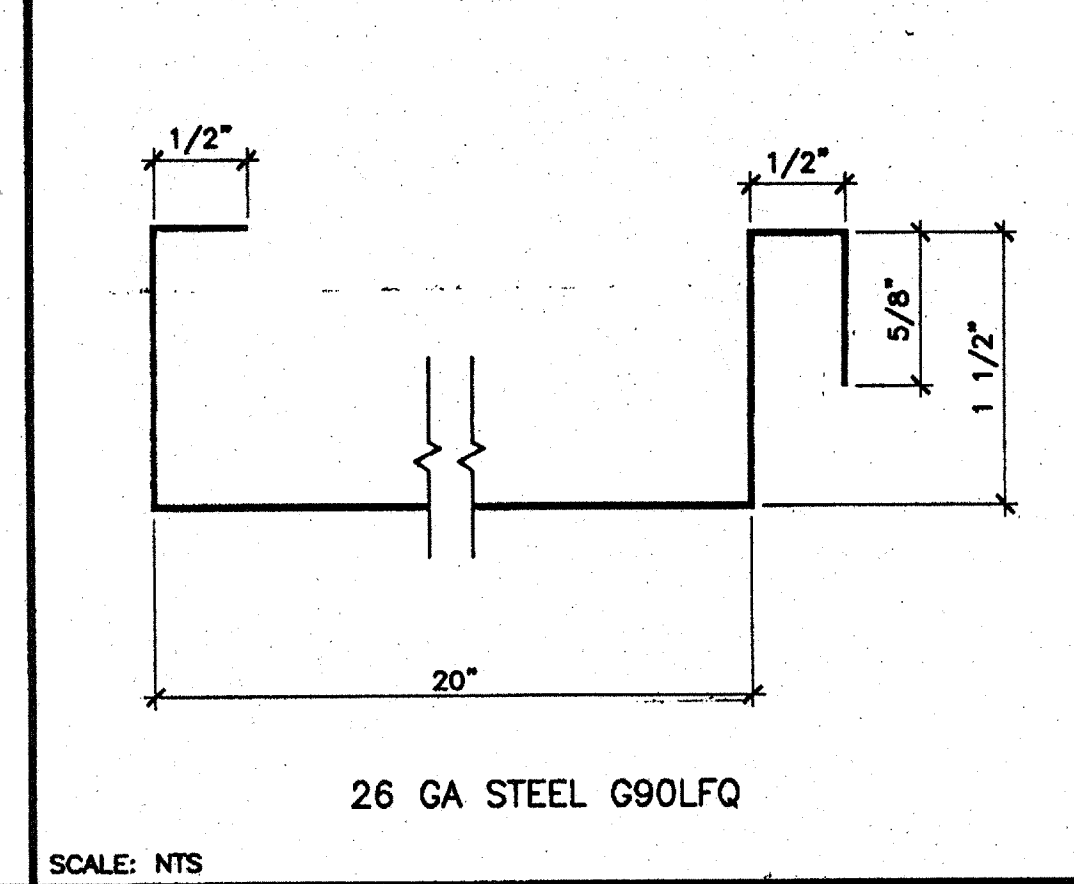
SCALE: NTS  
**ROOF STANDING SEAM 13**



SCALE: 3"=1'-0"  
**26 GA GUTTER AND GUTTER STRAP 9**

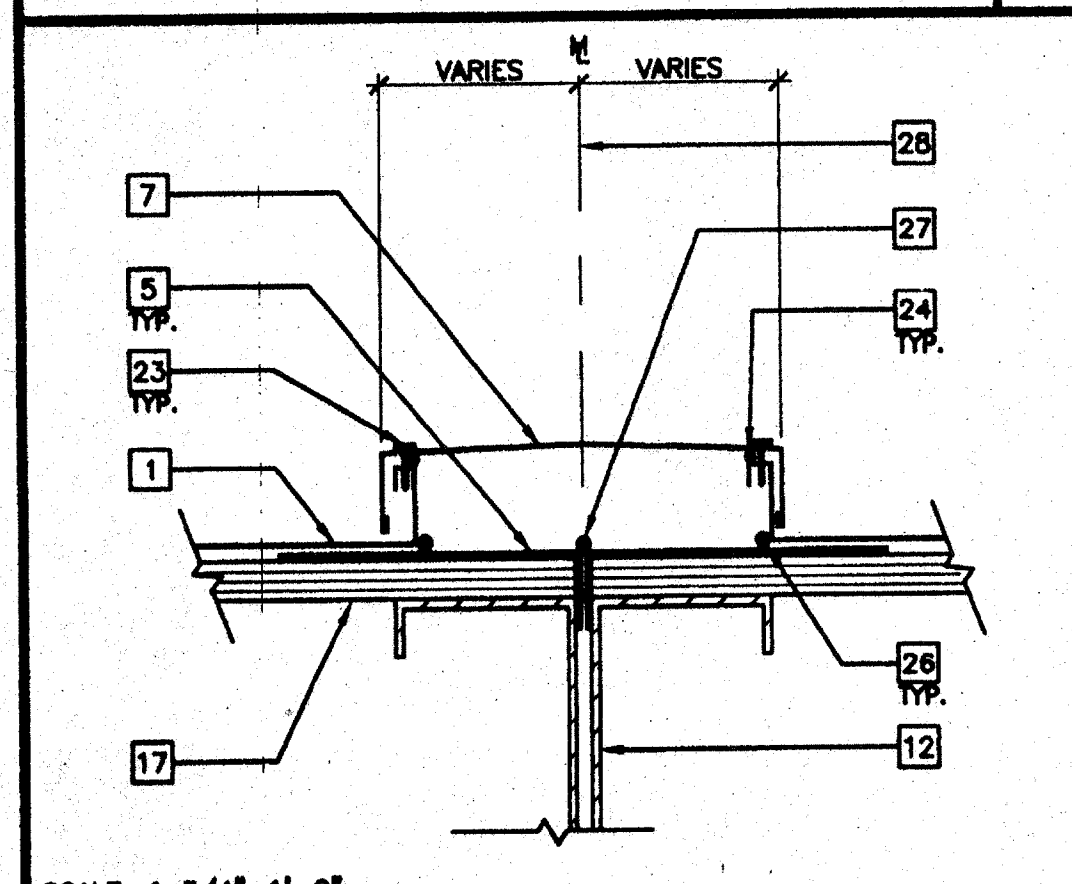


SCALE: NTS  
**FLASHING AT MODLINE WALL 5**

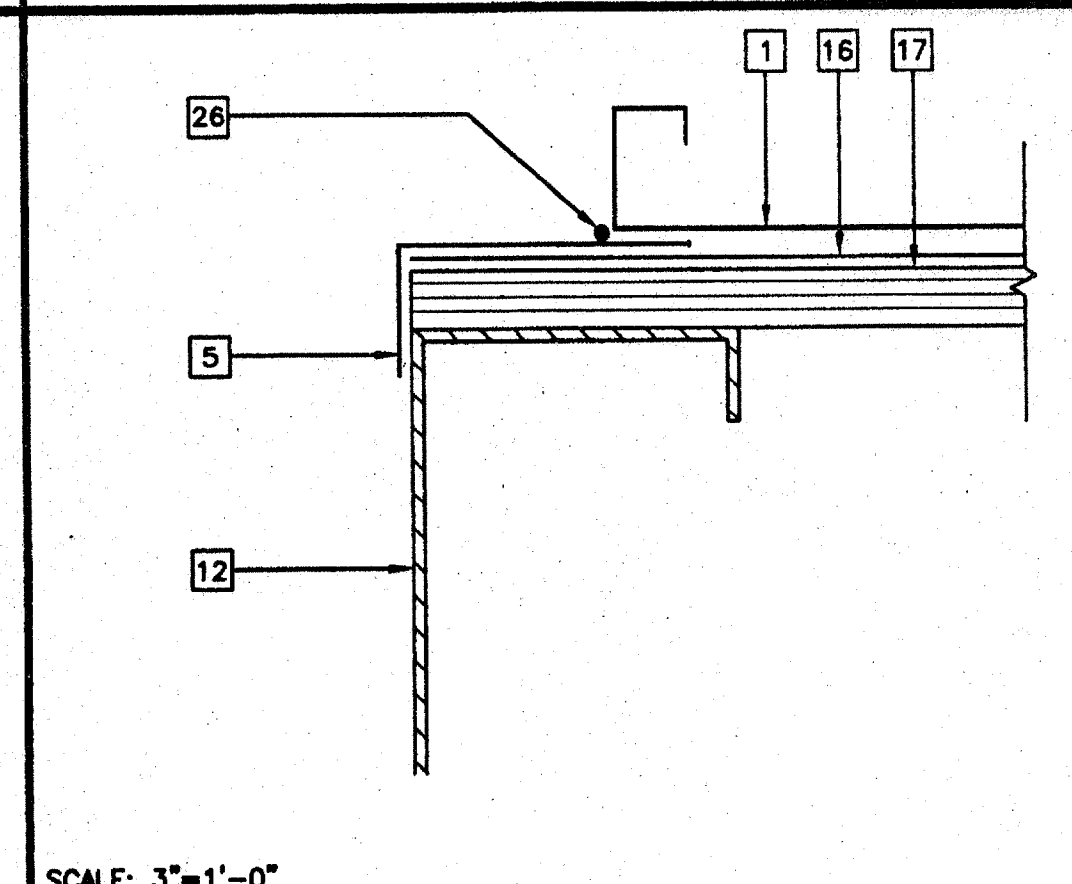


SCALE: NTS  
**ROOF PAN 1**

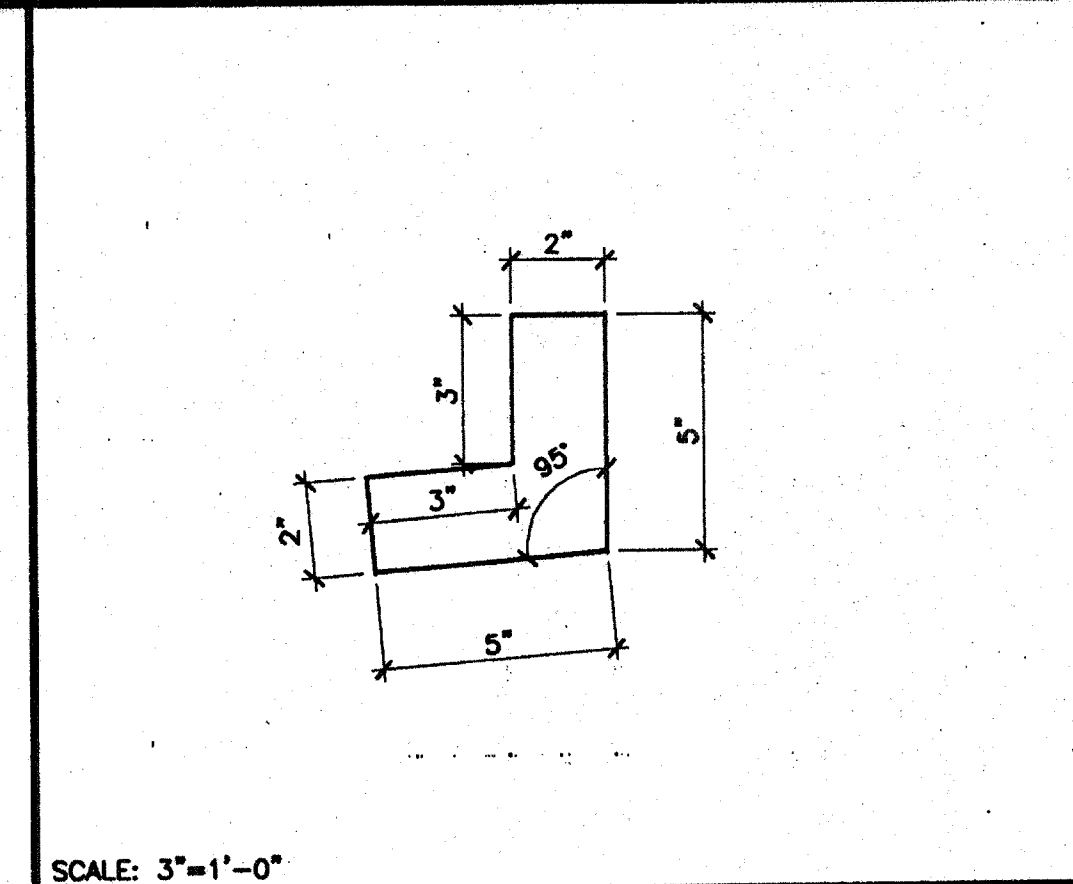
- KEY NOTES**
- 1 26 GA STANDING SEAM ROOF PAN - 1/A3.03
  - 2 26 GA ROOF CLIP (AT 24" OC MAX. AND 6" MAX FROM END OF ROOF) - 2/A3.03
  - 3 22 GA GALVANIZED IRON FLASHING AT SIDEWALL - 3/A3.03
  - 4 22 GA GALVANIZED IRON FLASHING AT LOW END OF ROOF - 4/A3.03
  - 5 22 GA GALVANIZED STEEL FLASHING AT MODLINE WALL - 5/A3.03
  - 6 22 GA GALVANIZED STEEL FLASHING AT HIGH END OF ROOF - 6/A3.03
  - 7 26 GA ROOF CAP AT MODLINE - 7/A3.03
  - 8 26 GA ROOF METAL FLASHING AT HIGH SIDE - 8/A3.03
  - 9 26 GA CONTINUOUS GUTTER - 9/A3.03
  - 10 26 GA GUTTER STRAP - 9/A3.03
  - 11 ROOF CLIP MOUNTED UPSIDE-DOWN, BEND CLIP HEAD UP AND OVER ROOF PAN - 11/A3.03
  - 12 ROOF BEAM (STR)
  - 13 COLUMN (STR)
  - 14 ROOF FASCIA (STR)
  - 15 DOWN SPOUT
  - 16 WEATHER PROOF MEMBRANE (25-30 LBS ASPHALT COATED)
  - 17 PLYWOOD ROOF SHEATHING (STR)
  - 18 TYPICAL EXTERIOR FINISH (FIN)
  - 19 (3) .080 x 1 1/2" SHANK NAILS - ROOF CLIP TO ROOF DECKING
  - 20 DOWNSPOUT BRACKET TYPICAL (3) PLACES, TOP, BOTTOM AND MIDSPAN - ATTACH TO SIDING W/(2) #10 STMS AND DOWNSPOUT W/(2) #10 STMS.
  - 21 #10 STMS WITH NEOPRENE WASHERS AT EACH SIDE
  - 22 #10 STMS WITH NEOPRENE WASHER AT 24" OC
  - 23 #10 STMS WITH NEOPRENE WASHERS AT 36" OC ON "WET" SIDE OF SEALANT
  - 24 1/4" BEAD OF SEALANT ALONG ENTIRE LENGTH OF BOTH MODLINE RIBS
  - 25 SEALANT AT END OF ROOF PAN
  - 26 CONTINUOUS BEAD OF SEALANT AT JOINT BETWEEN MODLINE FLASHING AND END PAN AND AT EACH END PAN ROOF CLIP
  - 27 CONTINUOUS SEALANT AT MODLINE JOINT
  - 28 MODLINE (M)



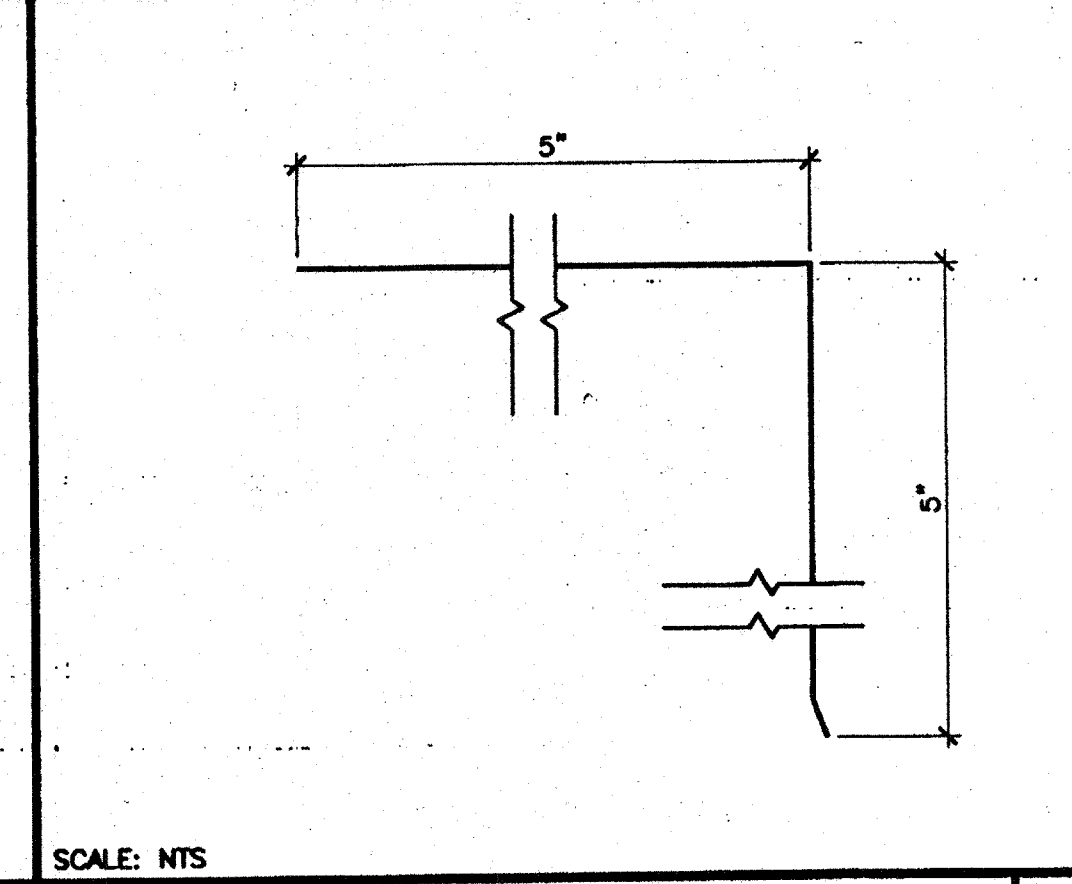
SCALE: 1 3/4"=1'-0"  
**MODLINE ROOF CAP 18**



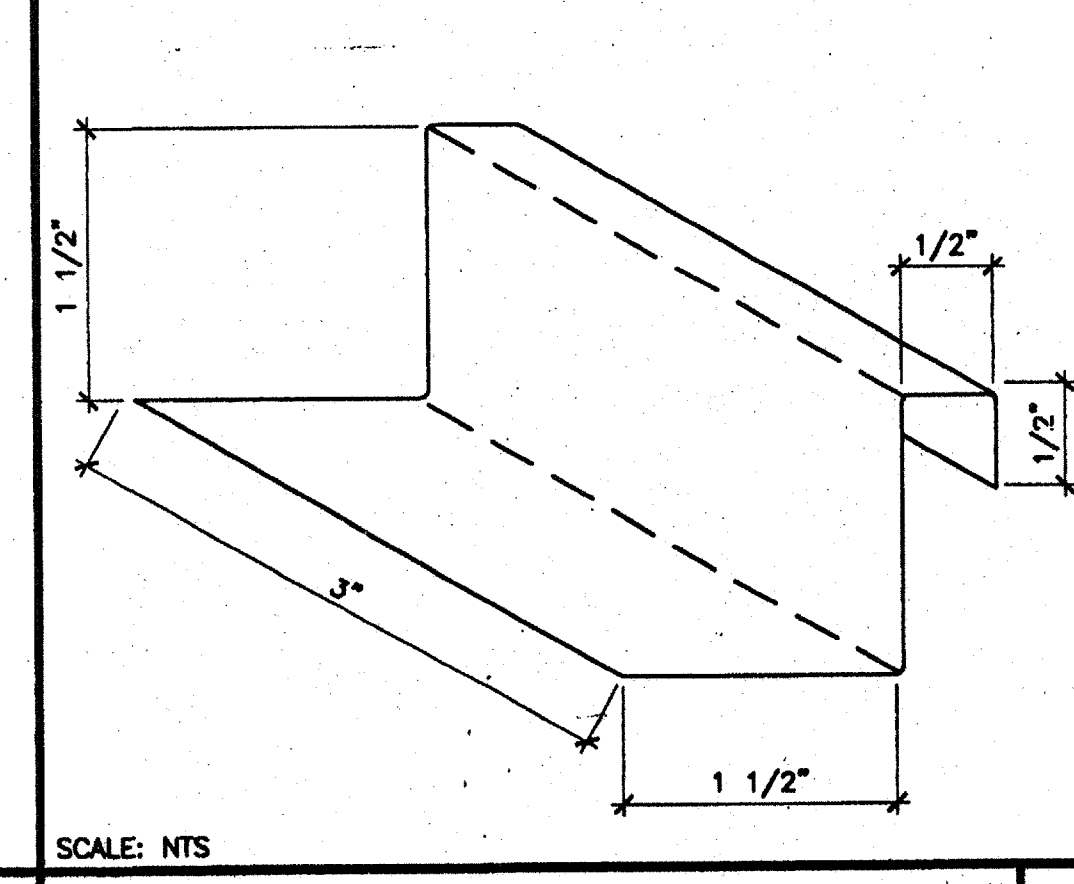
SCALE: 3"=1'-0"  
**END ROOF PAN CONNECTION 14**



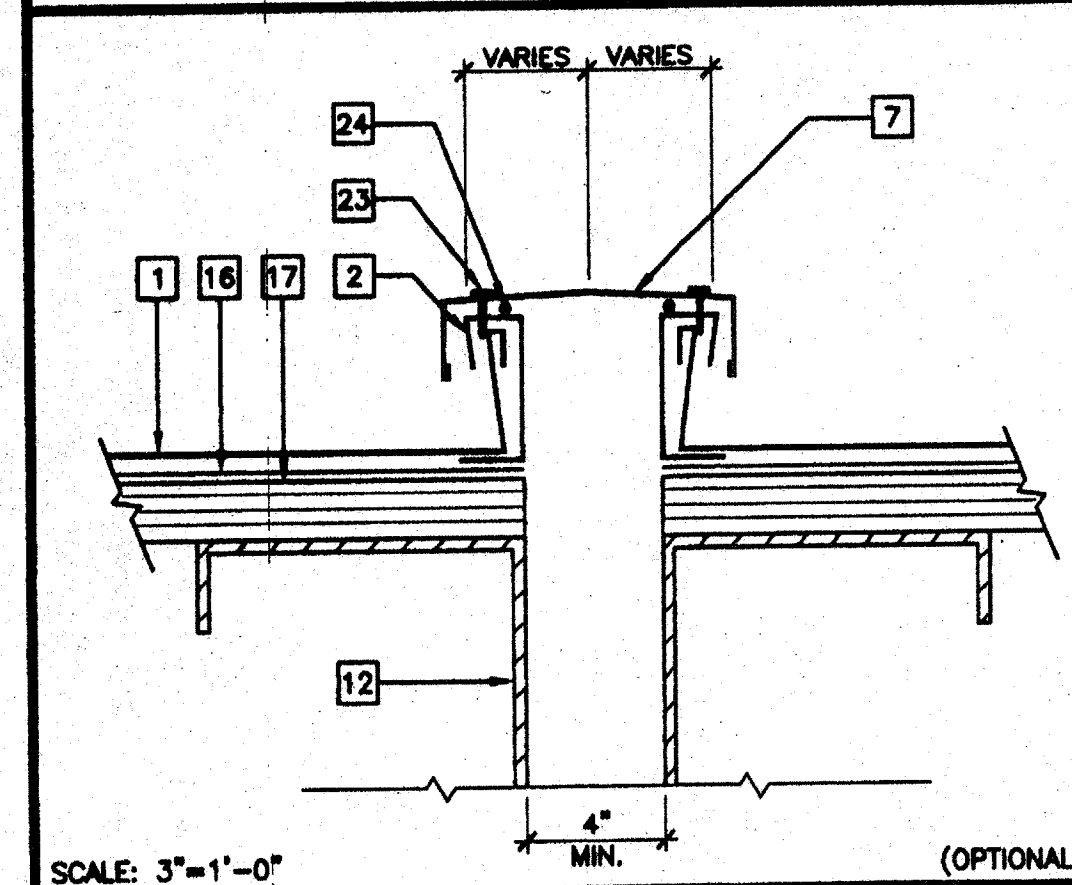
SCALE: 3"=1'-0"  
**DOWNSPOUT AT BEND 10**



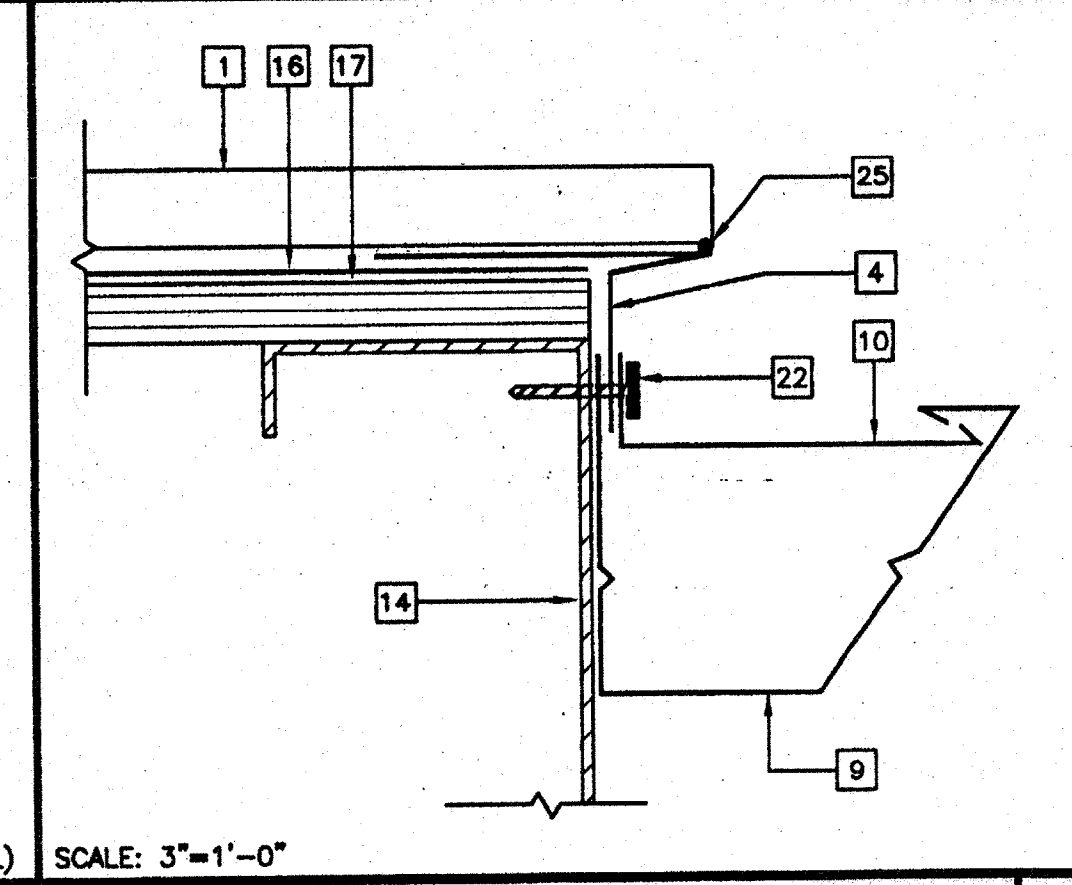
SCALE: NTS  
**ROOF FLASHING AT HIGH SIDE 6**



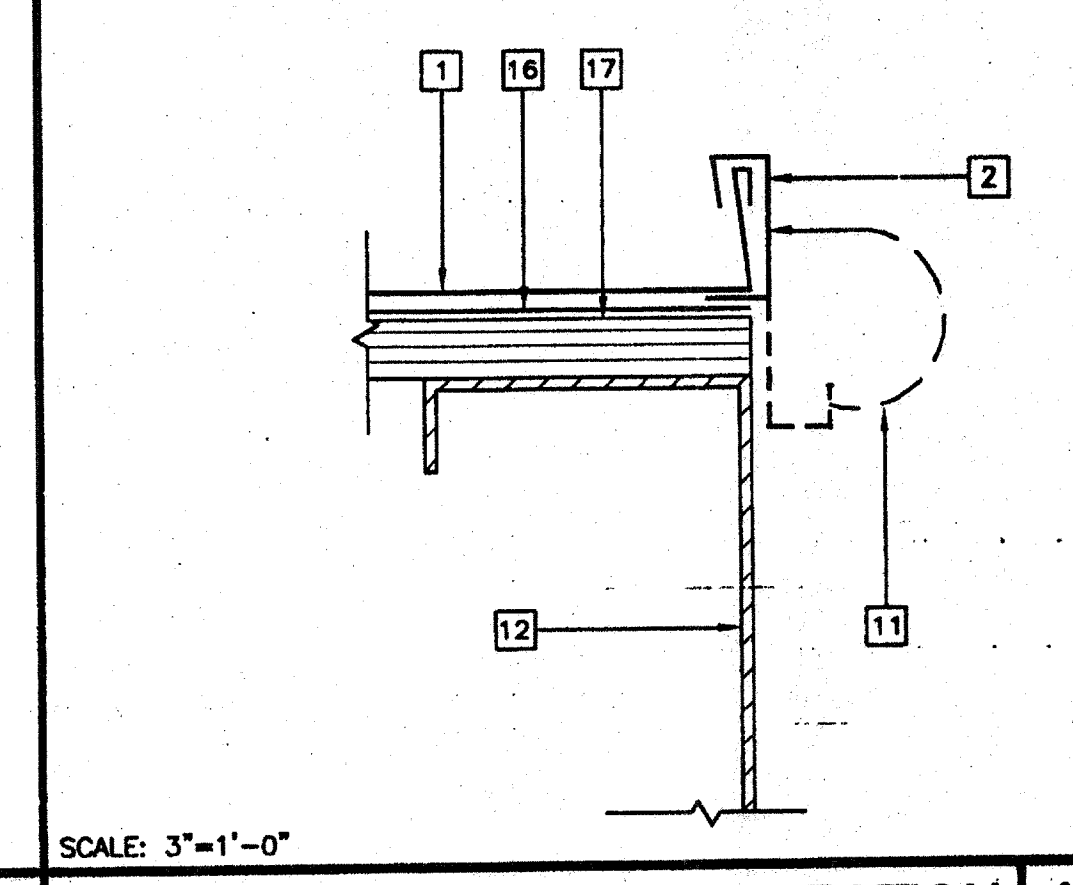
SCALE: NTS  
**ROOF CLIP 2**



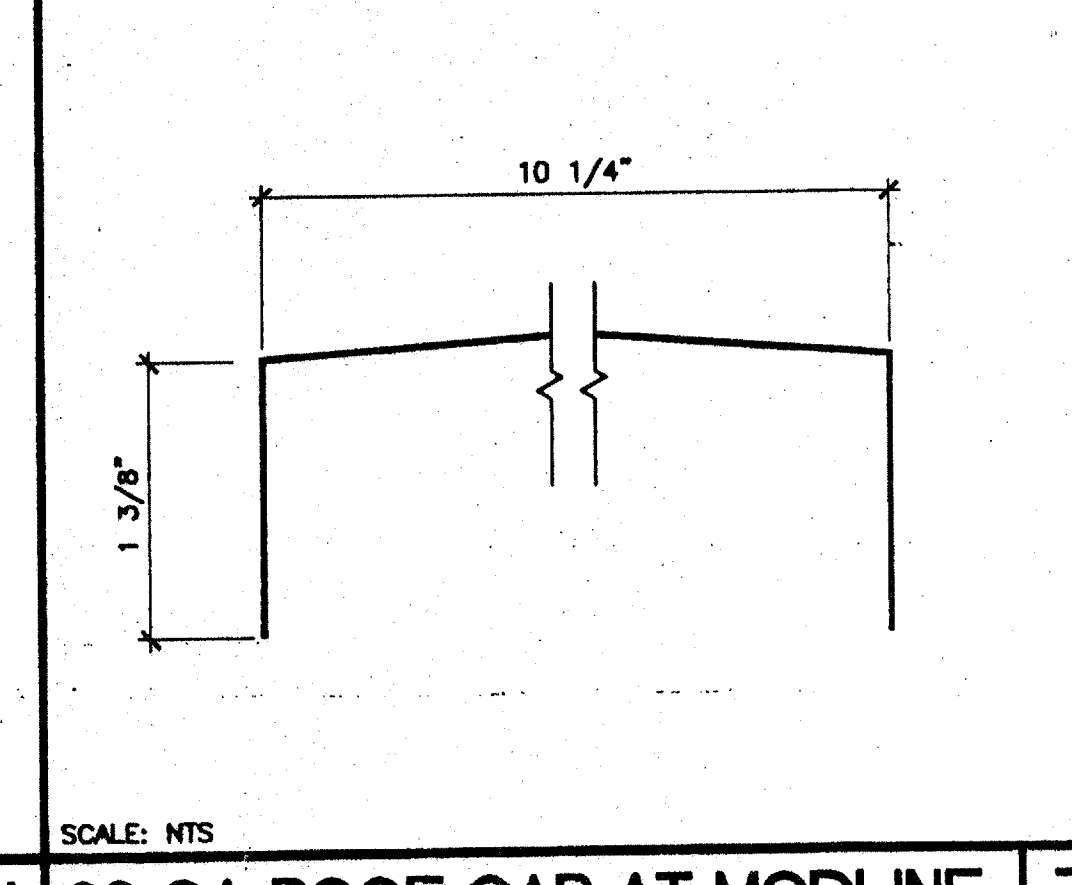
SCALE: 3"=1'-0" (OPTIONAL)  
**ROOF CAP AT 4' SEPARATION 19**



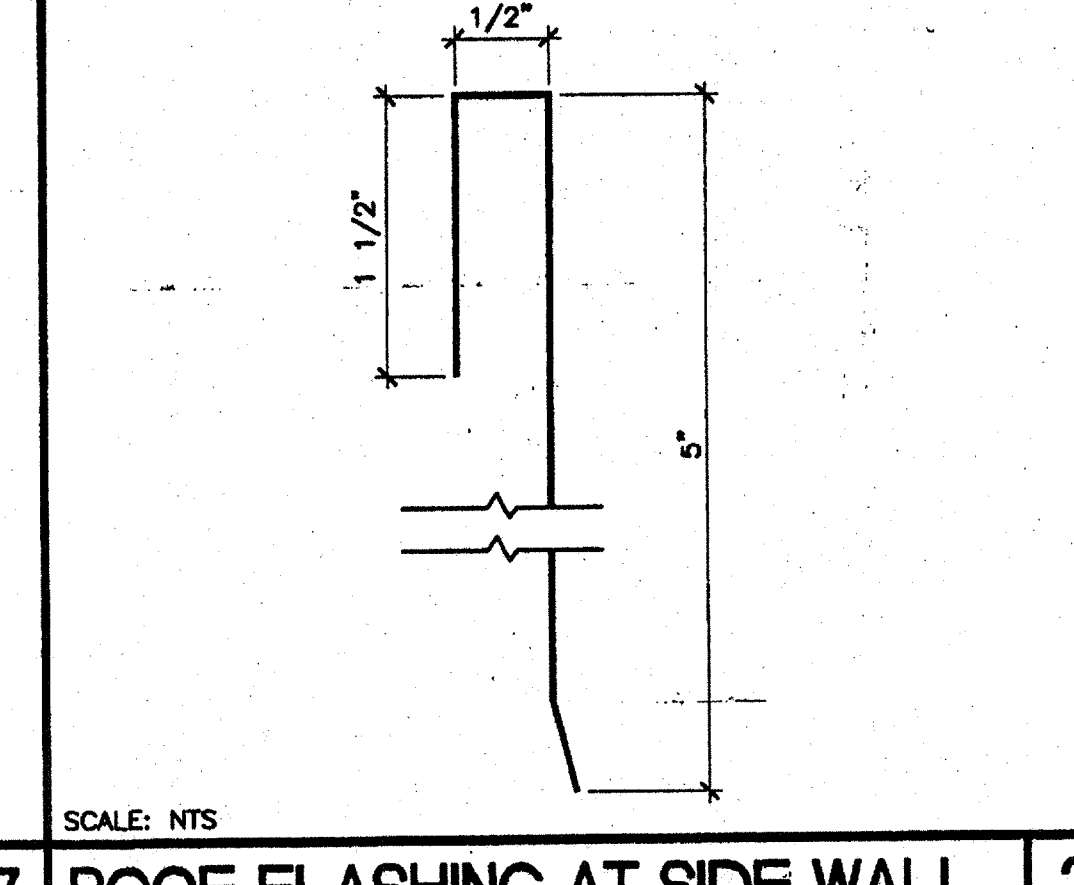
SCALE: 3"=1'-0"  
**GUTTER AT ROOF FASCIA BEAM 15**



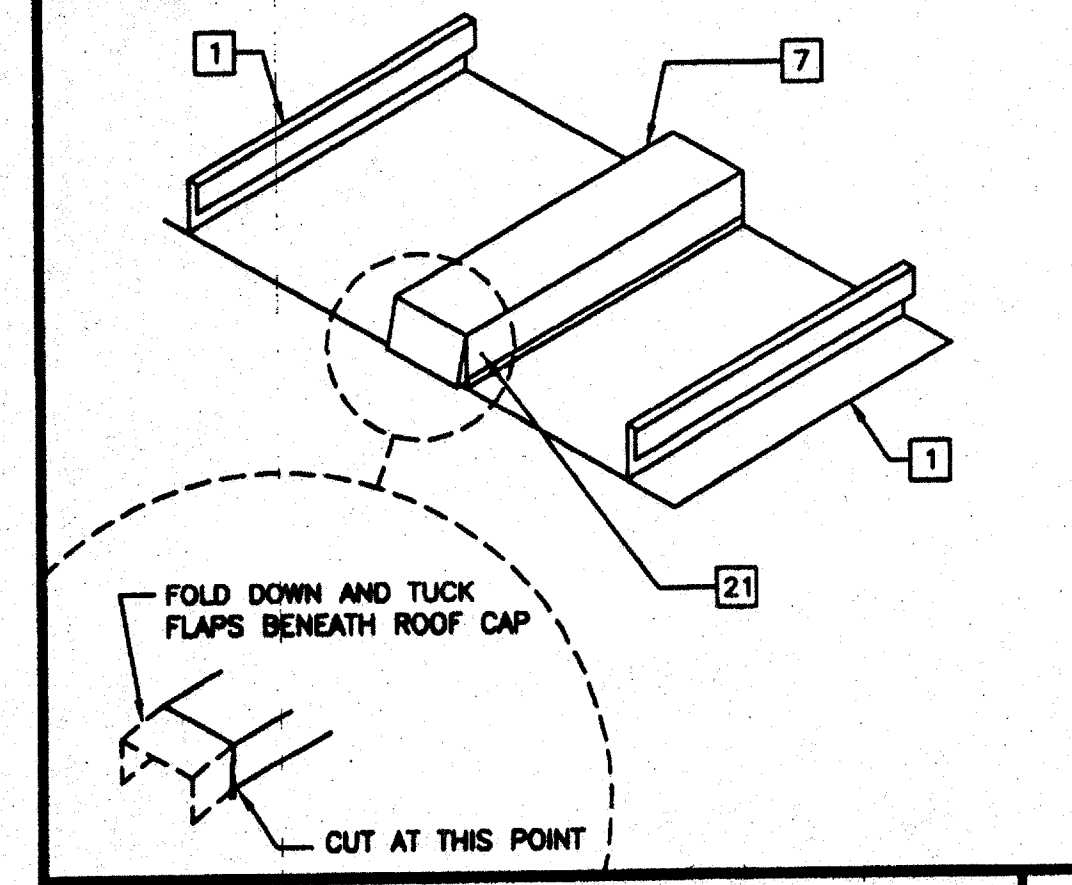
SCALE: 3"=1'-0"  
**STARTER ROOF PAN CONNECTION 11**



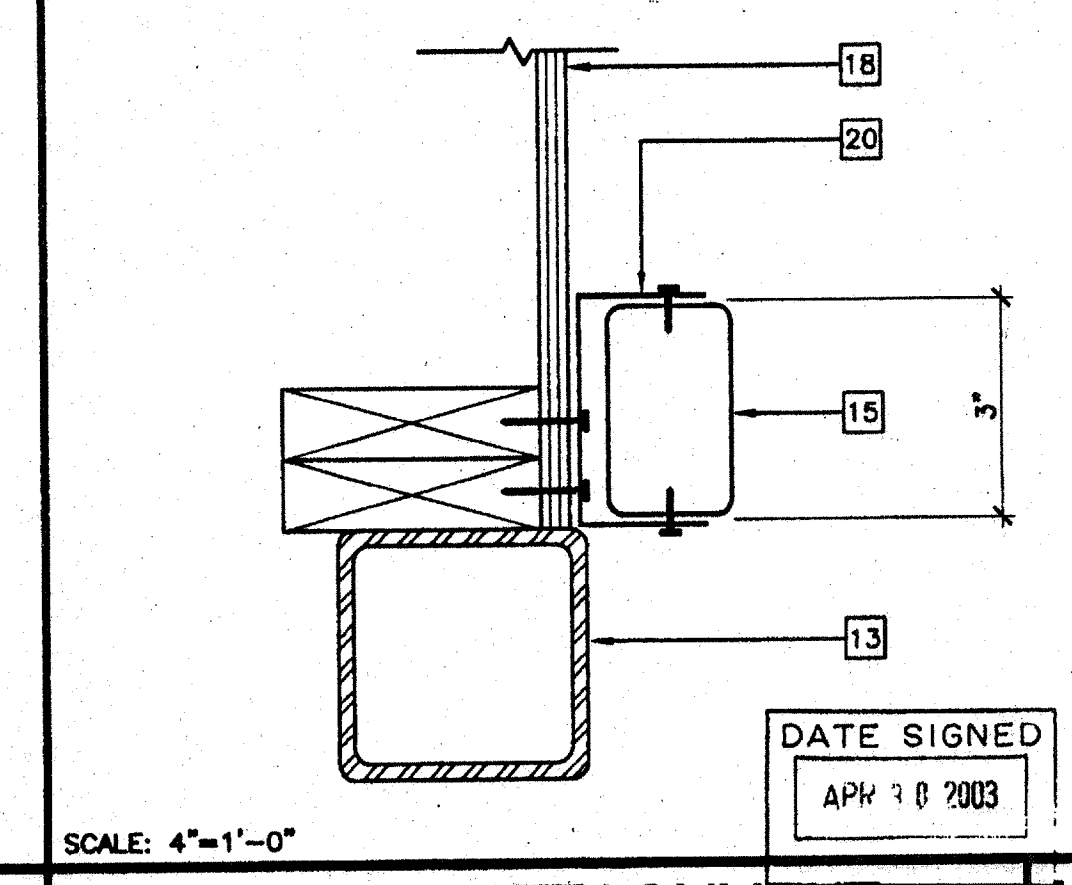
SCALE: NTS  
**26 GA ROOF CAP AT MODLINE 7**



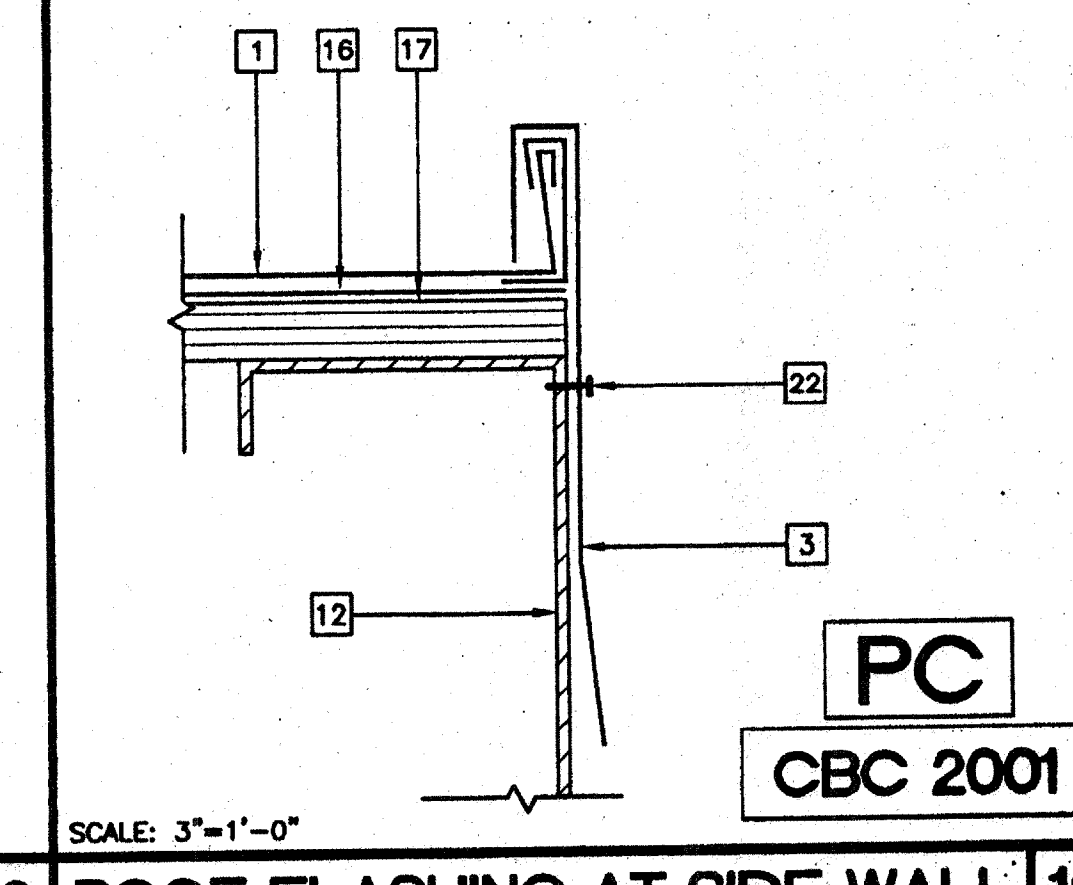
SCALE: NTS  
**ROOF FLASHING AT SIDE WALL 3**



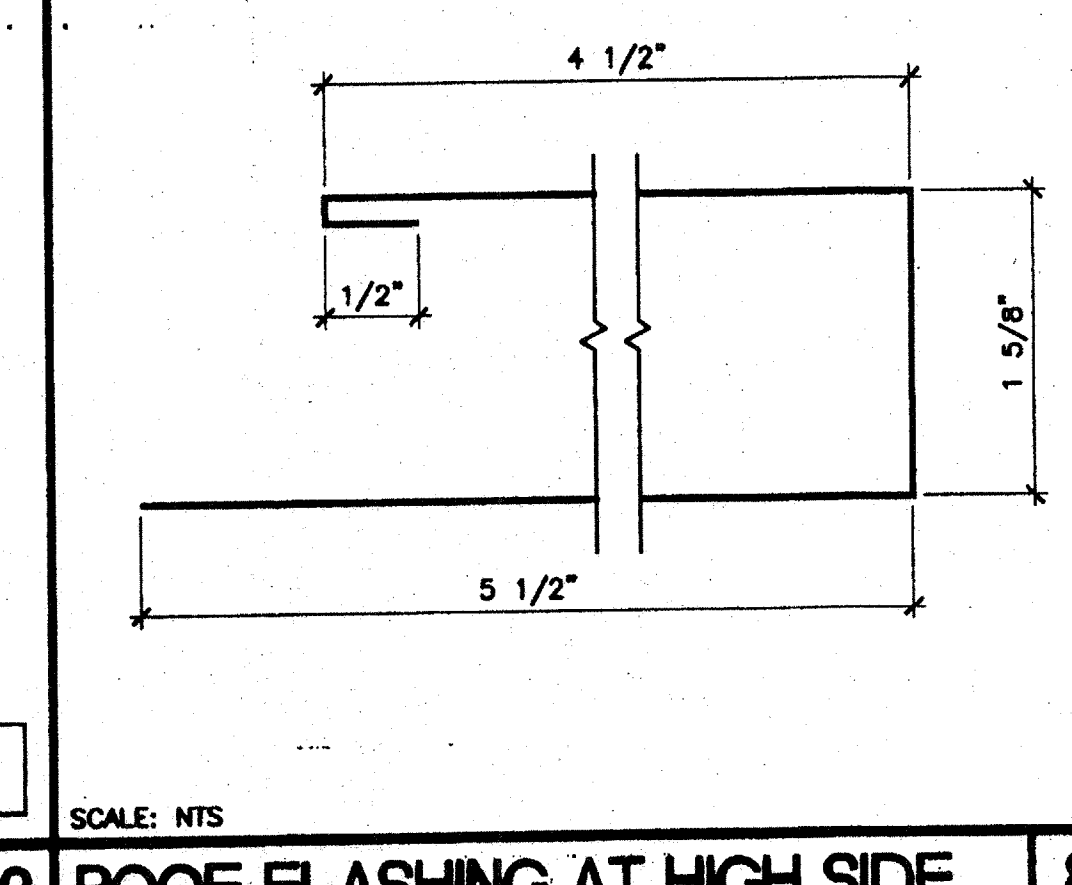
SCALE: 4"=1'-0"  
**MODLINE ROOF CAP 20**



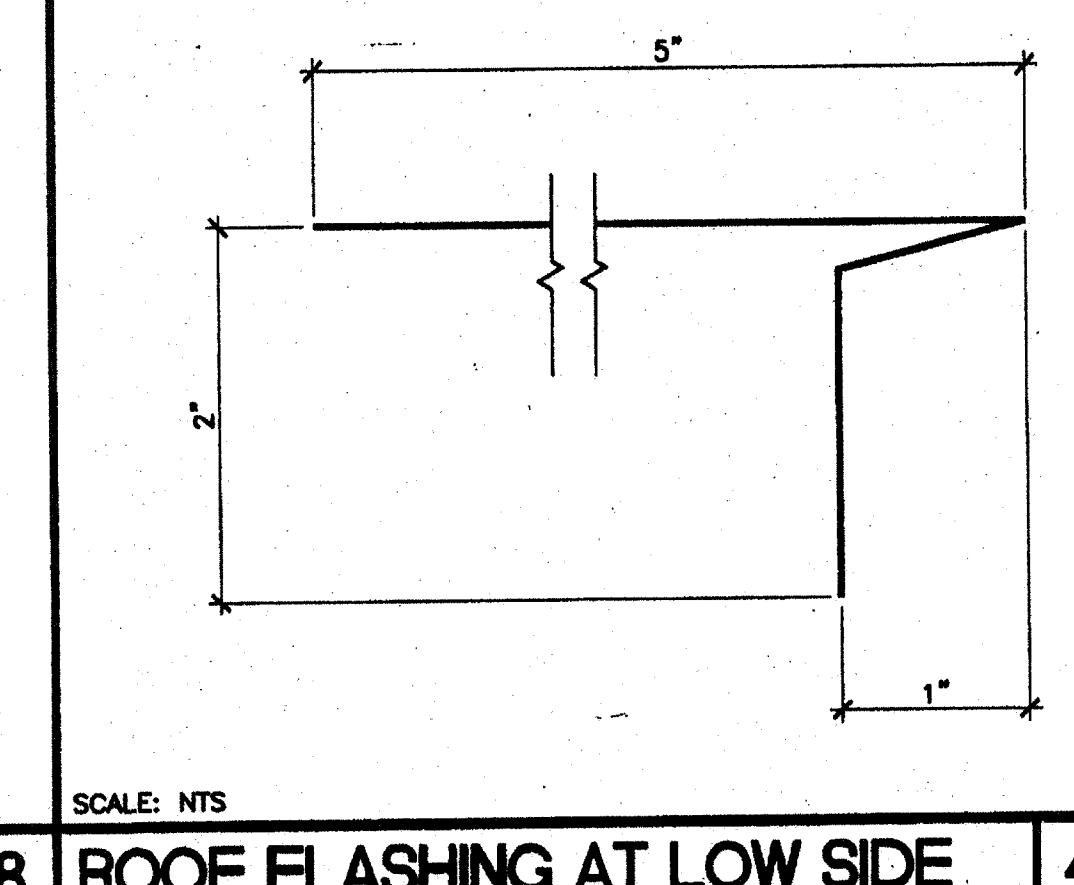
SCALE: 4"=1'-0"  
**DOWNSPOUT ATTACHMENT 16**



SCALE: 3"=1'-0"  
**ROOF FLASHING AT SIDE WALL 12**



SCALE: NTS  
**ROOF FLASHING AT HIGH SIDE 8**



SCALE: NTS  
**ROOF FLASHING AT LOW SIDE 4**

**REVISIONS**

|   |  |  |
|---|--|--|
| 1 |  |  |
| 2 |  |  |
| 3 |  |  |
| 4 |  |  |
| 5 |  |  |

AGENCY TRACKING NO. 62231-267  
 FILE NO. 15-6  
 IDENTIFICATION STAMP  
 DIV. OF THE STATE ARCHITECT  
 03118235  
 AC / FLS / SS  
 DATE JUL 11 2003

PC Professional of Record Seal  
 ARCHITECTS SEAL  
 T. SIMPSON  
 LICENSE NO. 2502  
 LICENSE EXPIRES 6-30-2004

LIBERATED ARCHITECT  
 ARCHITECTS SEAL  
 C. E. ...  
 LICENSE NO. C 2956  
 LICENSE EXPIRES 6-30-09  
 STATE OF CALIFORNIA

IDENTIFICATION STAMP  
 DIV. OF THE STATE ARCHITECT  
 OFFICE OF REGULATION SERVICES  
 PC-04  
 104801  
 AC / FLS / SS  
 DATE 5/2/02

**MODTECH™**  
 2830 BARRETT AVENUE PERRIS, CALIF. 92571  
 PH (909) 943-4014 FAX (909) 940-0427

PROJECT NUMBER: © MODTECH, INC. 2002  
 CLASS LEASING INC STOCKPILE # 70  
 100- 24 x 40 CLASSROOM BUILDINGS  
 4012-125 05-22-2003 80 MPH  
**ROOF DETAILS**

DRAWN BY: STKP-70  
 DATE: 05-22-03  
 CHECKED BY: [Signature]  
 DATE: [Signature]  
 MODTECH Index No.  
**A3.03**

FILE PATH: 2440-A3.03.DWG PROJECT NO. PC-04-104801