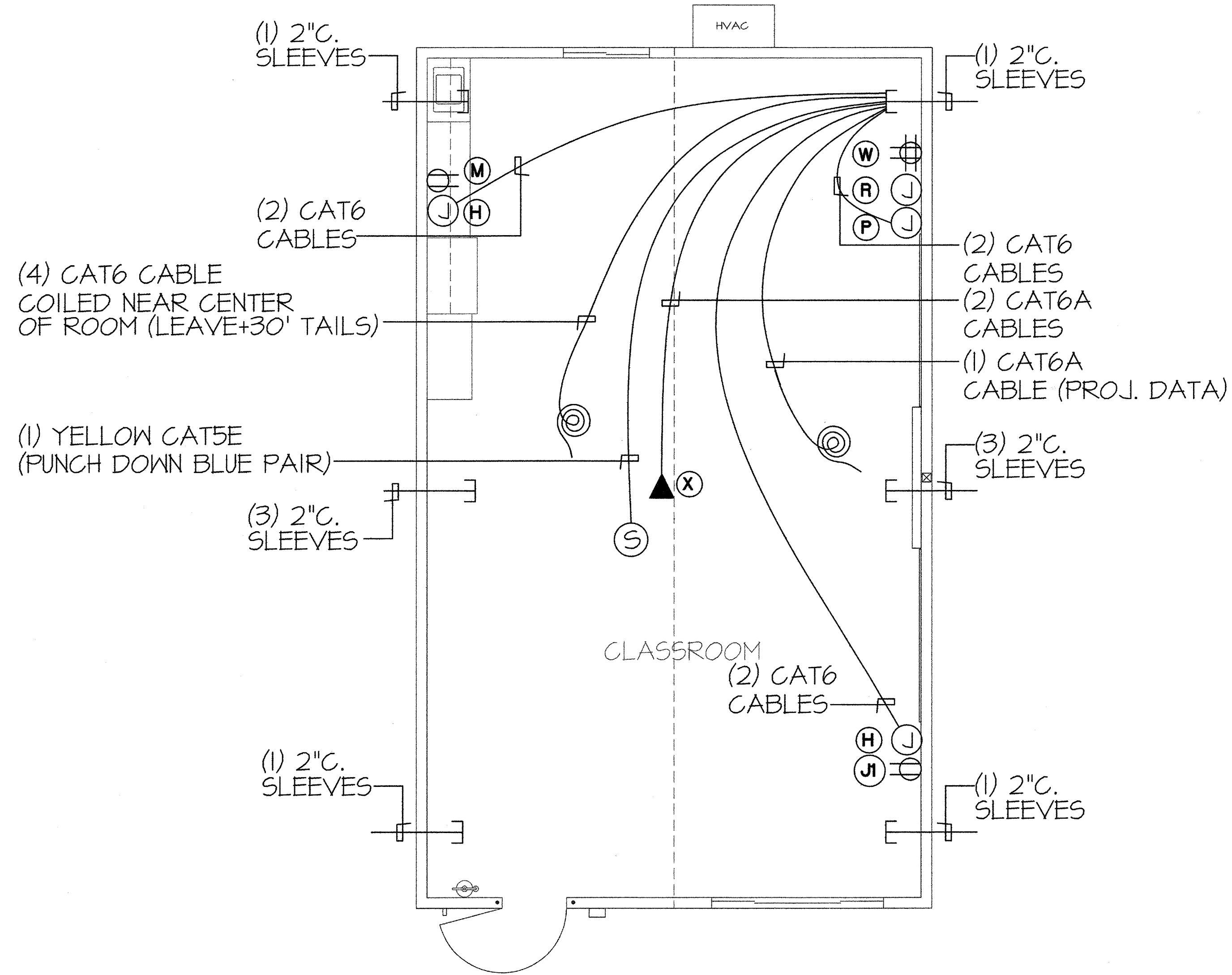
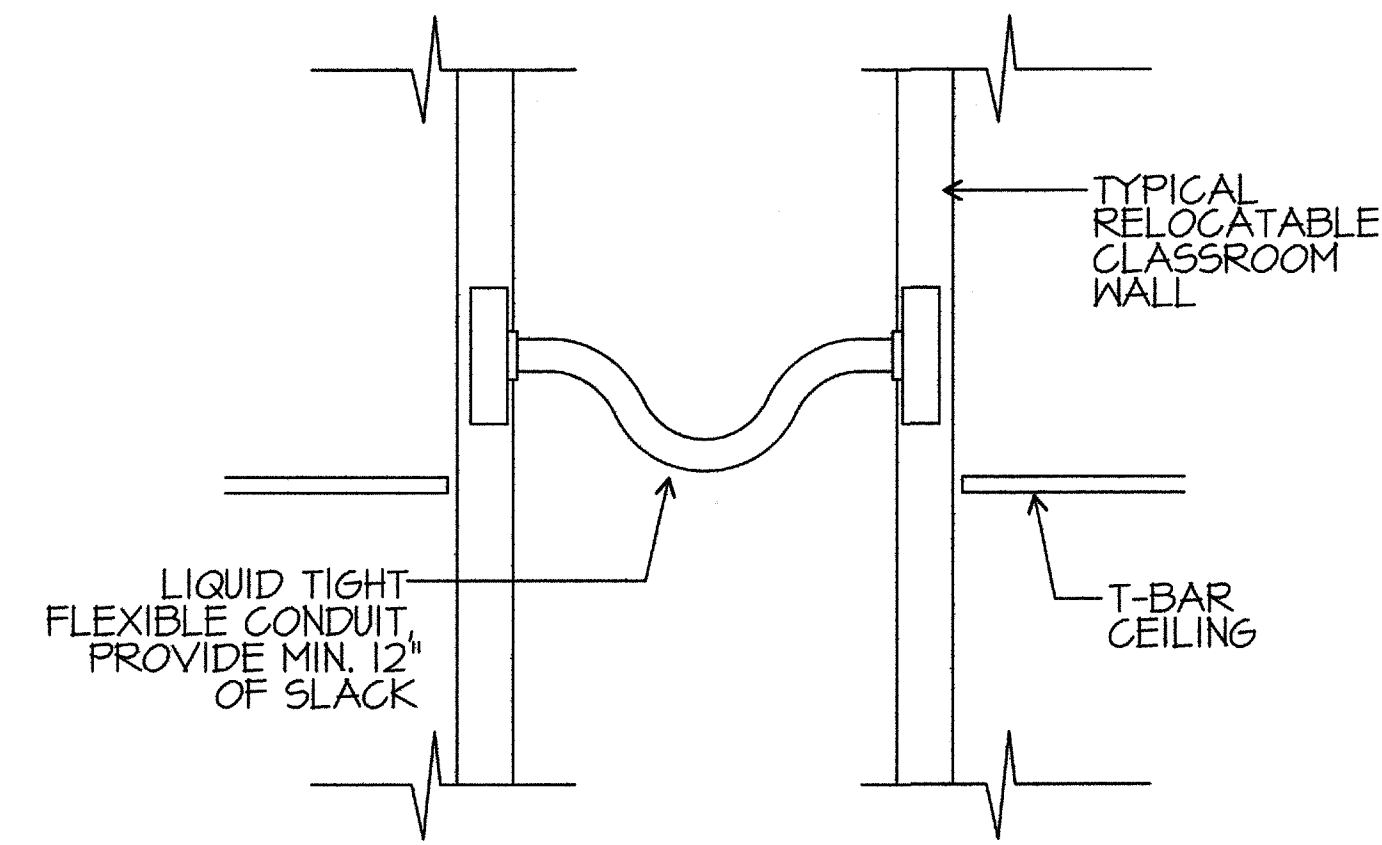


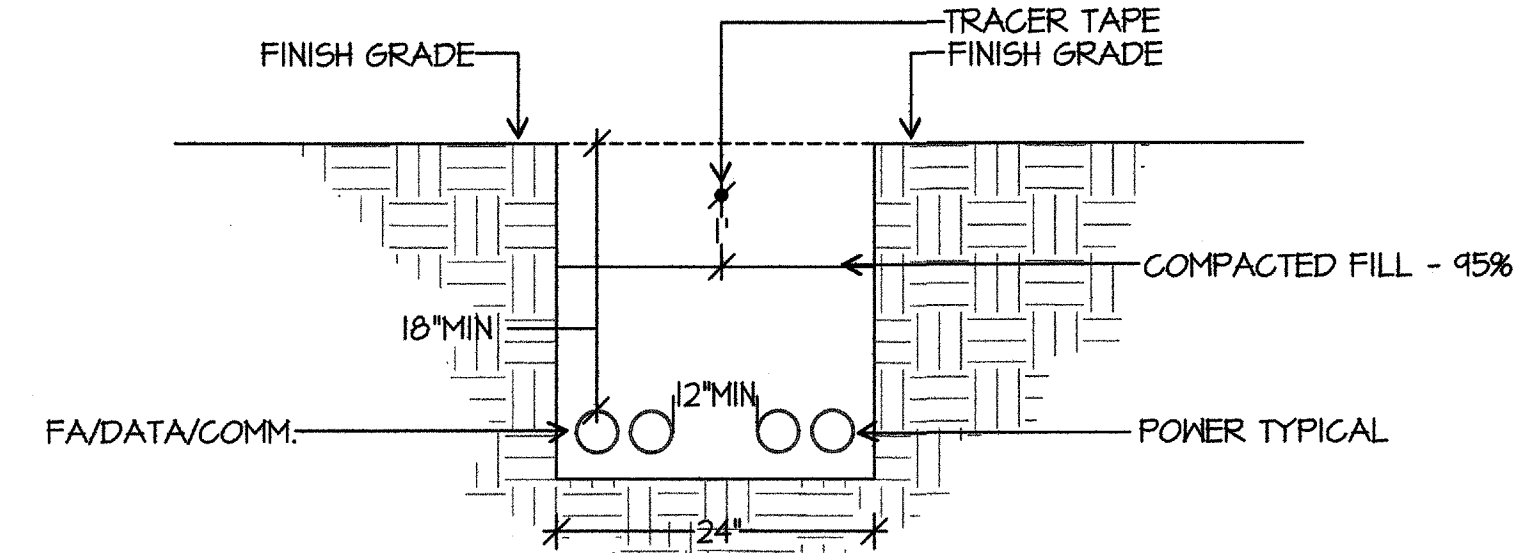
COORDINATE WORK INSIDE CLASSROOM WITH DISTRICT I.T. DEPARTMENT



TYPICAL PERMANENT PORTABLE CLASSROOM  
SCALE: 1/4"=1'-0" (F)



FLEXIBLE CONDUIT DETAIL  
SCALE: NO SCALE (G)



TRENCH DETAIL  
SCALE: NONE (H)

PRIME CONSULTANT

ARCHITECTURE PLANNING  
**IBI** San Luis Obispo  
4115 Broad Street, Suite B-6  
San Luis Obispo, CA 93401  
805.546.0433 fax:805.546.0504

SEAL

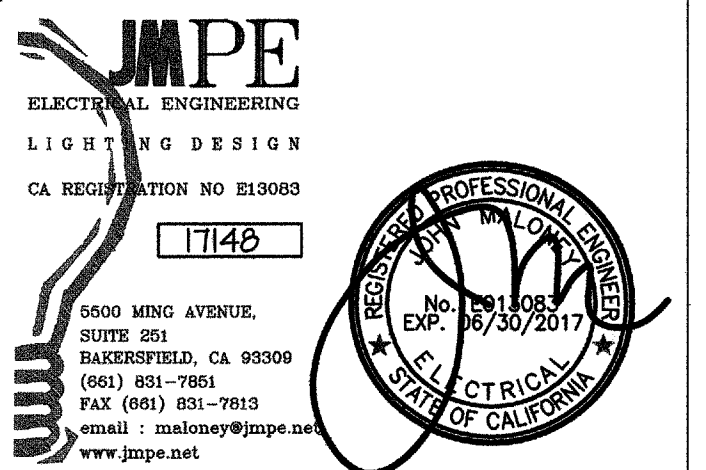


**COPYRIGHT:**  
Any reproduction or distribution for any purpose other than authorized by IBI Group is forbidden.

COPYRIGHT 2017 IBI GROUP

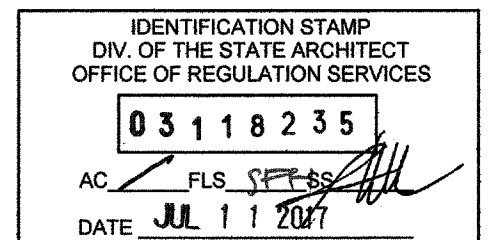
REVISIONS			
NO.	DATE	APPRD.	DESCRIPTION

CONSULTANT

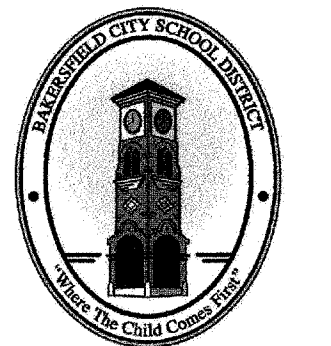


AGENCY INFORMATION:

AGENCY TRACKING NO. 63321-267  
FILE NO. 15-6



BAKERSFIELD CITY SCHOOL DISTRICT



CHIPMAN JR. HIGH,  
RELOCATABLES R13 & R14  
2905 EISSLER ST. BAKERSFIELD, CA 93306

OPSC or OSHPD PROJ. NO:

PROJECT NO: 17150/109623

DRAWN BY: AC

CHK'D BY: KT

ISSUE DATE: 07/11/2017

SHEET TITLE

DETAILS

SHEET NUMBER

E-0.3