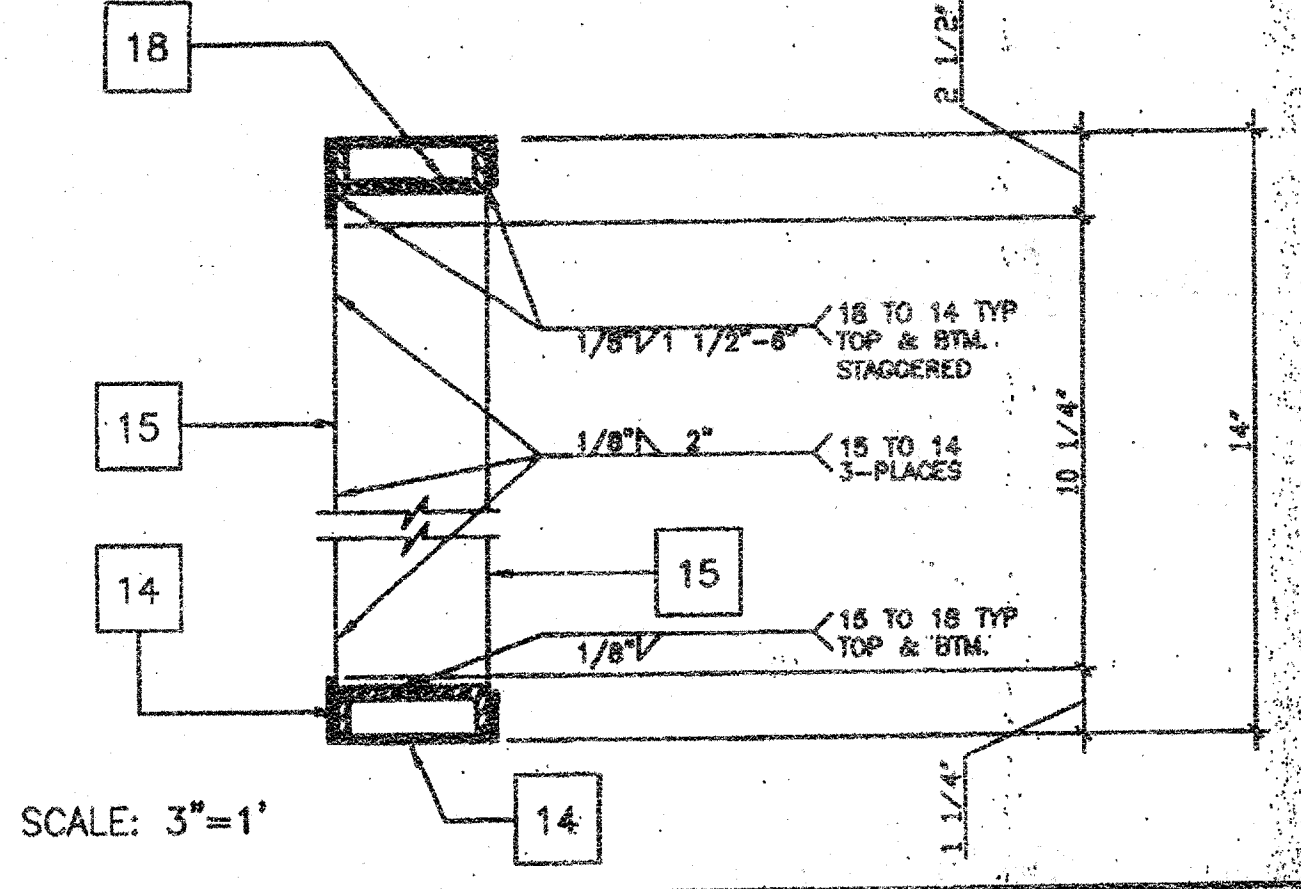
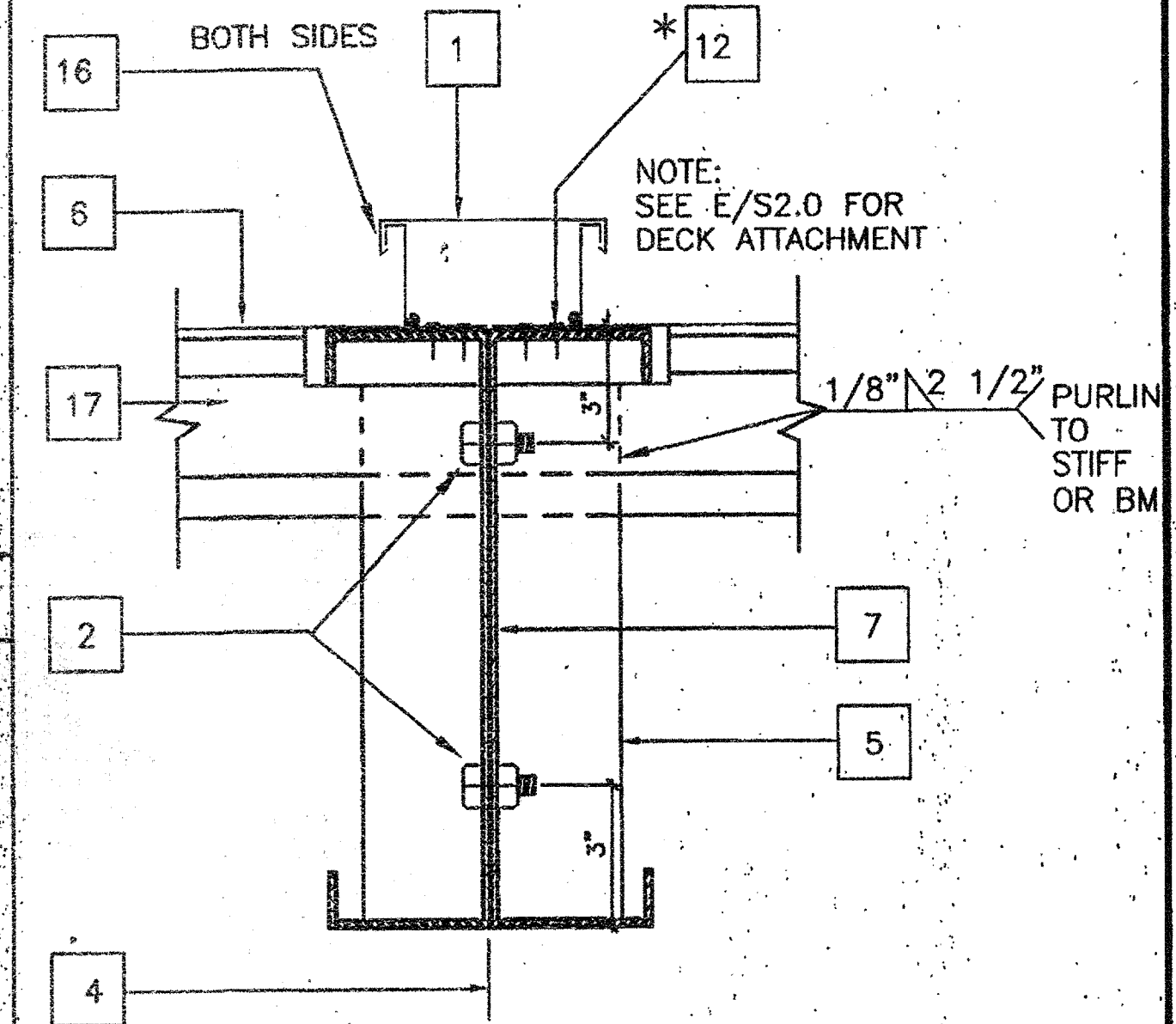


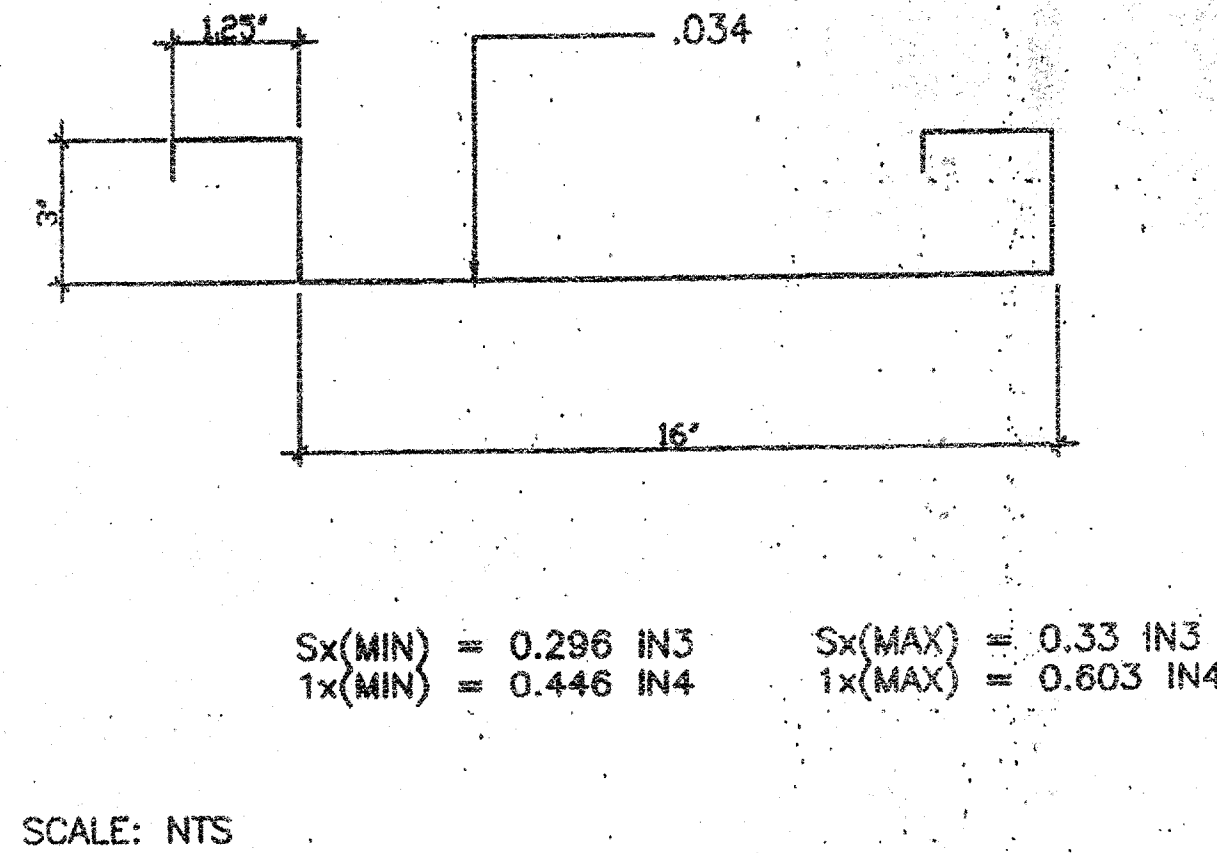
MECH. DUCT OPENING IN ROOF BM. 8



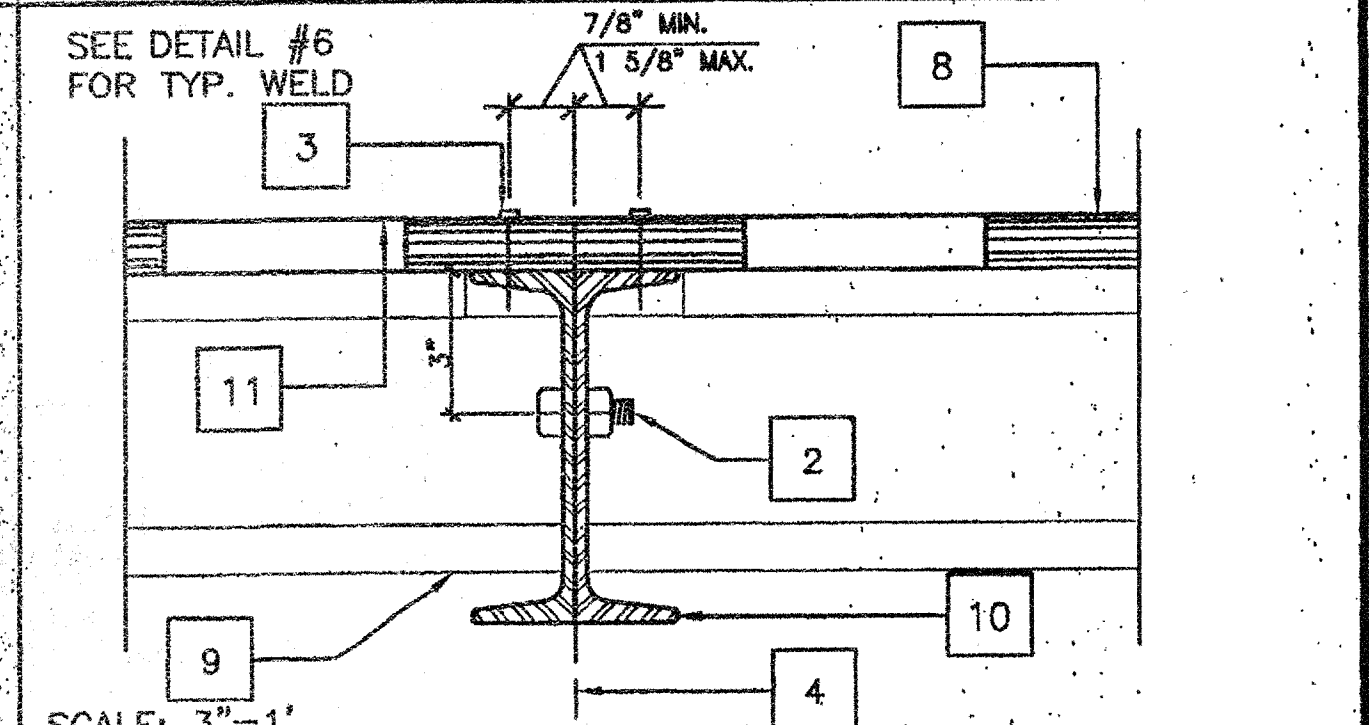
MECH. DUCT OPENING IN HEADER 4



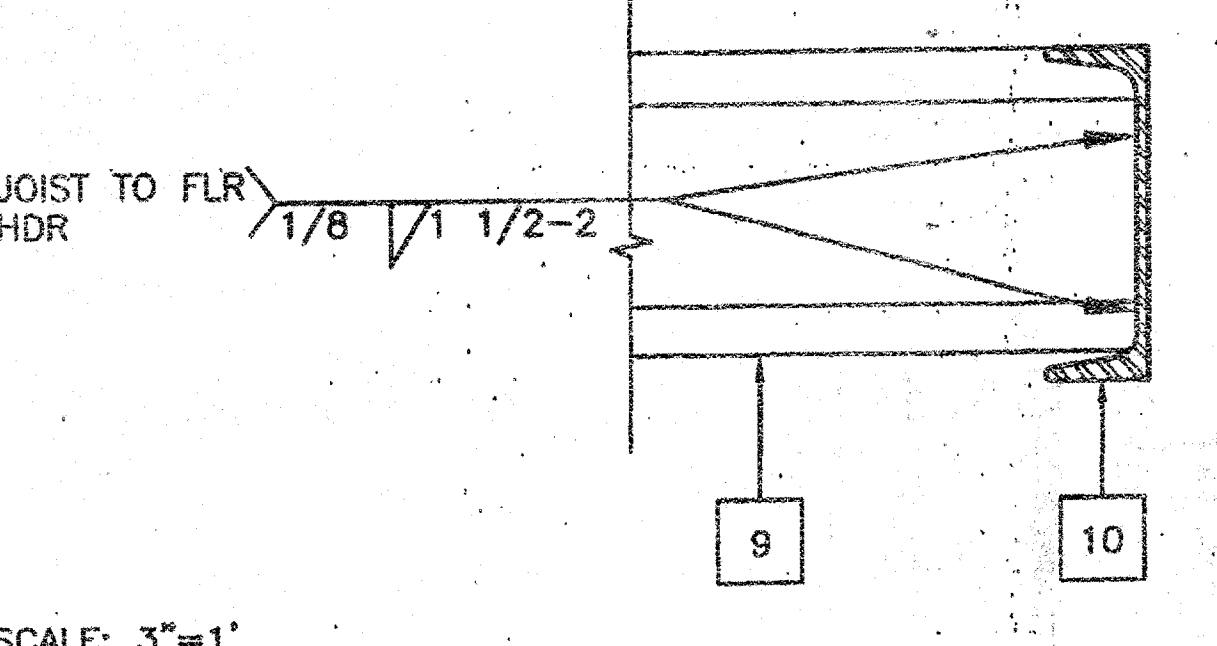
ROOFING • MODLINE 1



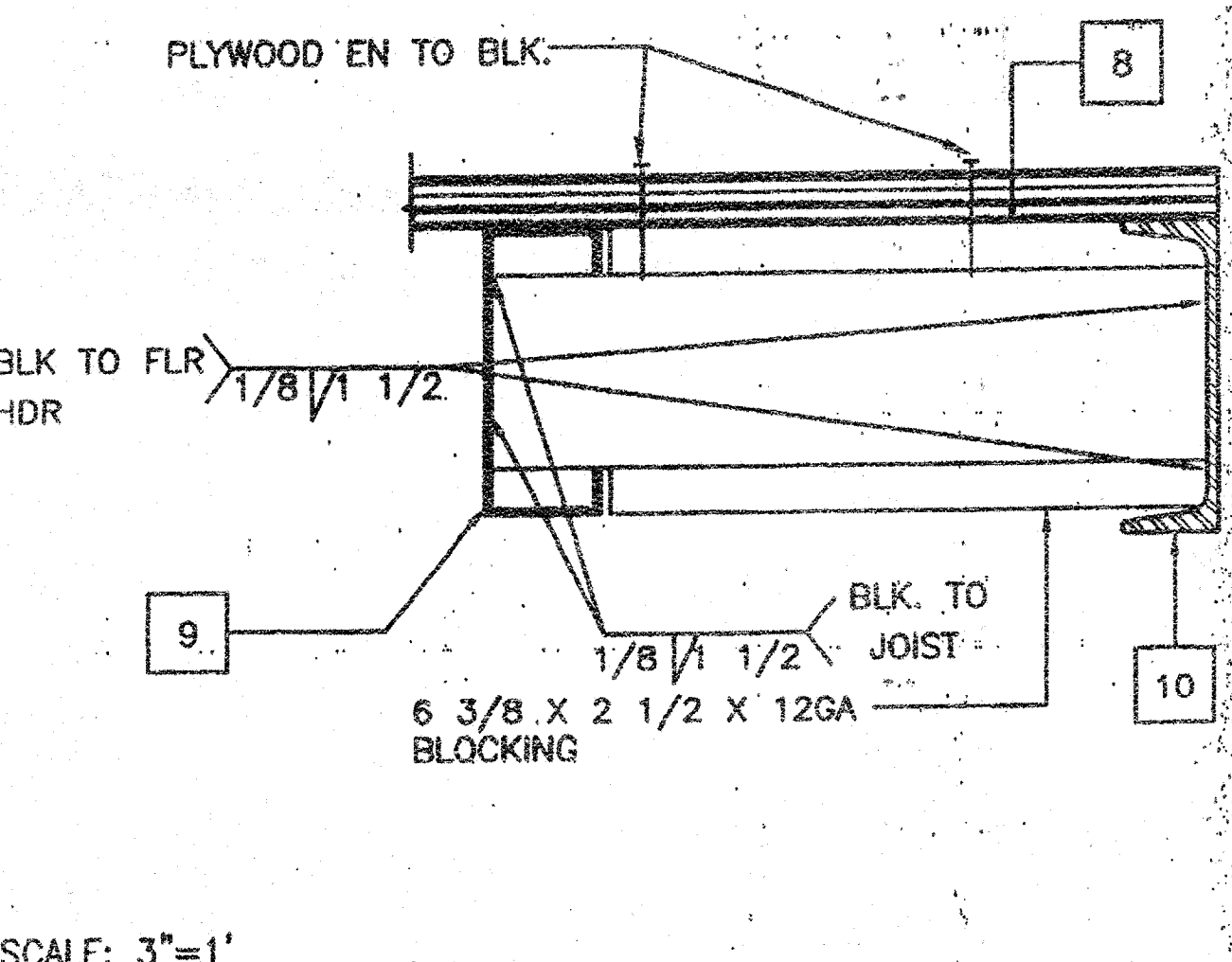
ROOF PAN (22GA.) 5



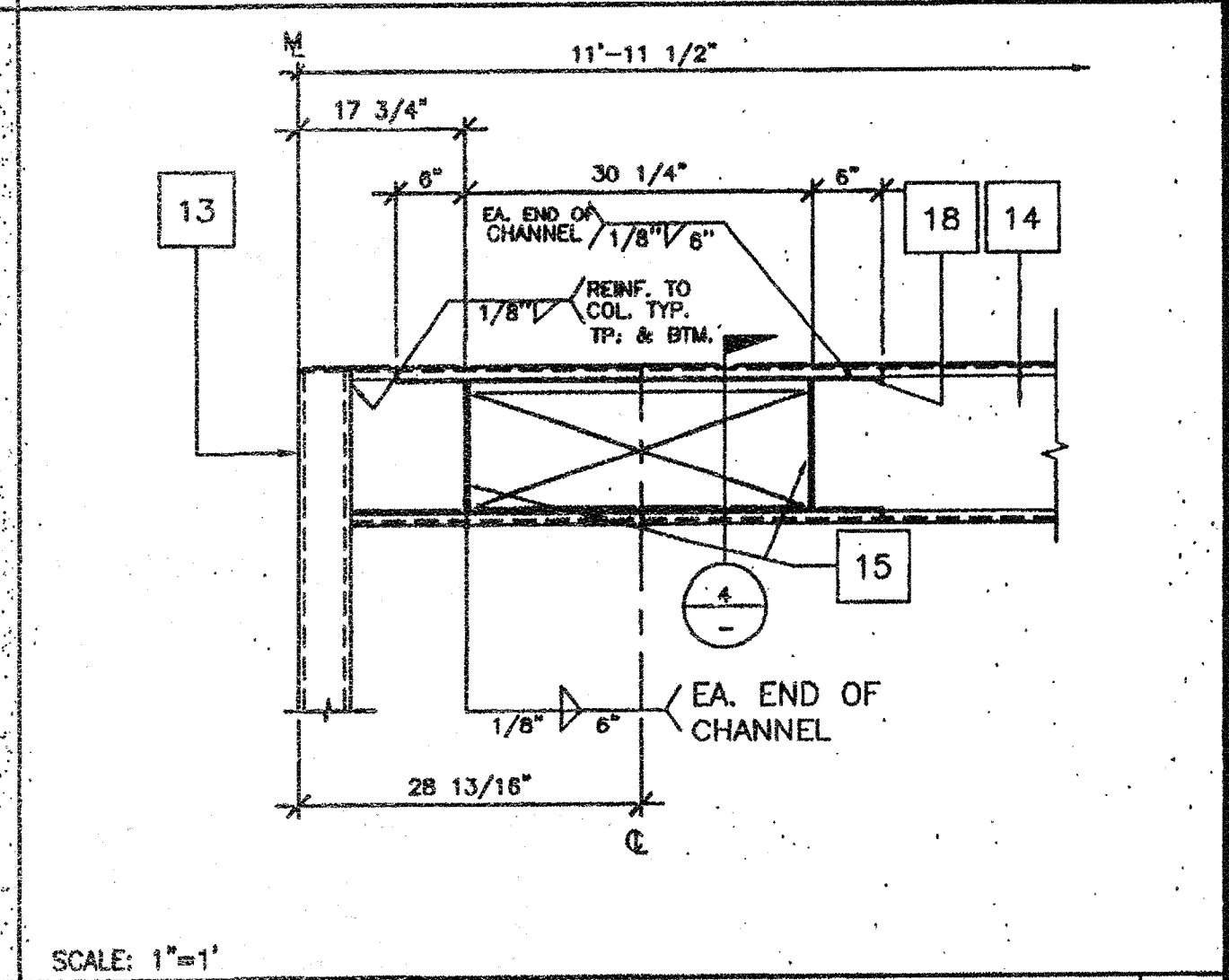
MODULE JOINT AT FLR. 12'-0" 2



FLOOR FRAME/JOIST TO BEAM 6



BLOCK AT MIDSPAN 10



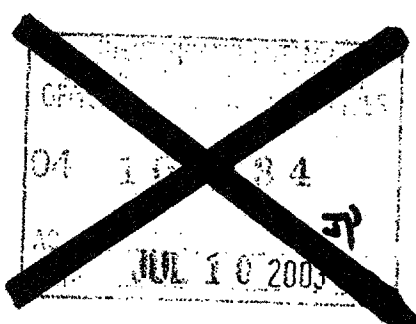
ELEVATION-OPENING 3

KEY NOTES

- 1 CAP CLOSURE AT RIDGE 26GA. GALV. W/#10 TYPE FASTENERS W/NEOPRENE WASHERS TO RIB BOTH SIDES OF MODLINE. SET CAP IN SEALANT. BOTH SIDES.
- 2 5/8" M.B. A307 MODULE JOINT (SEE STRUCTURAL PLAN FOR LOCATION) AT 8" O.C.
- 3 E.N.
- 4 MODULE JOINT
- 5 14" THK X 3" FULL DEPTH STIFFENER PLATE AT RIDGE ONLY (SEE 9/S2.2)
- 6 STANDING ROOF SEAM (SEE A2.0)
- 7 ROOF BEAM SEE 1/S2.2 & 7/S2.2
- 8 PLYWOOD FLOOR SHEATHING
- 9 FLOOR JOIST SEE 6/S2.2
- 10 FLOOR BEAM SEE 5/S2.2
- 11 HAND HOLE AT BOLT LOCATION
- 12 #14 STSMS.
- 13 3 1/2"x3 1/2"x1/4" STEEL TUBE COLUMN. SEE 12/S2.2
- 14 ROOF HEADER SEE 3/S2.2
- 15 1/4" STIFFENER PLATE SEE 9/S2.2 FOR TYP. WELD
- 16 SEALANT
- 17 ROOF PURLIN SEE 2/S2.2
- 18 3 1/4" X 1" X 45 11/16" LG X 10GA CHANNEL TOP AND BOTTOM OF OPENING

AGENCY TRACKING NO. 63321-154
FILE NO. 15-6
IDENTIFICATION STAMP
DIV. OF THE STATE ARCHITECT
OFFICE OF REGULATION SERVICES
03-117035
AC - FLS - SS 8/4
DATE 06/28/2016

IDENTIFICATION STAMP
DIV. OF THE STATE ARCHITECT
OFFICE OF REGULATION SERVICES
04 105455
AC - FLS - SS 1/16
DATE JUL 17 2003



REVISIONS	Electrical Engineer's Seal	Mechanical Engineer's Seal	PC Professional of Record Seal	Architect's Seal

PC
CBC 2001
IDENTIFICATION STAMP
DIV. OF THE STATE ARCHITECT
OFFICE OF REGULATION SERVICES
PC-04
AC - FLS - SS
DATE

MODTECH INC.
2830 BARRETT AVENUE FAX (909) 943-4014
PERRIS, CALIF. 92572 FAX (909) 940-0427

PROJECT NUMBER: 4736
WILLIAM SCOTTSMAN

© MODTECH, INC. 2002
ALL RIGHTS RESERVED

DRAWN BY: GL
DATE: 07/07/03
CHECKED BY:
DATE:
MODTECH Index No.

STRUCTURAL DETAILS

S1.2