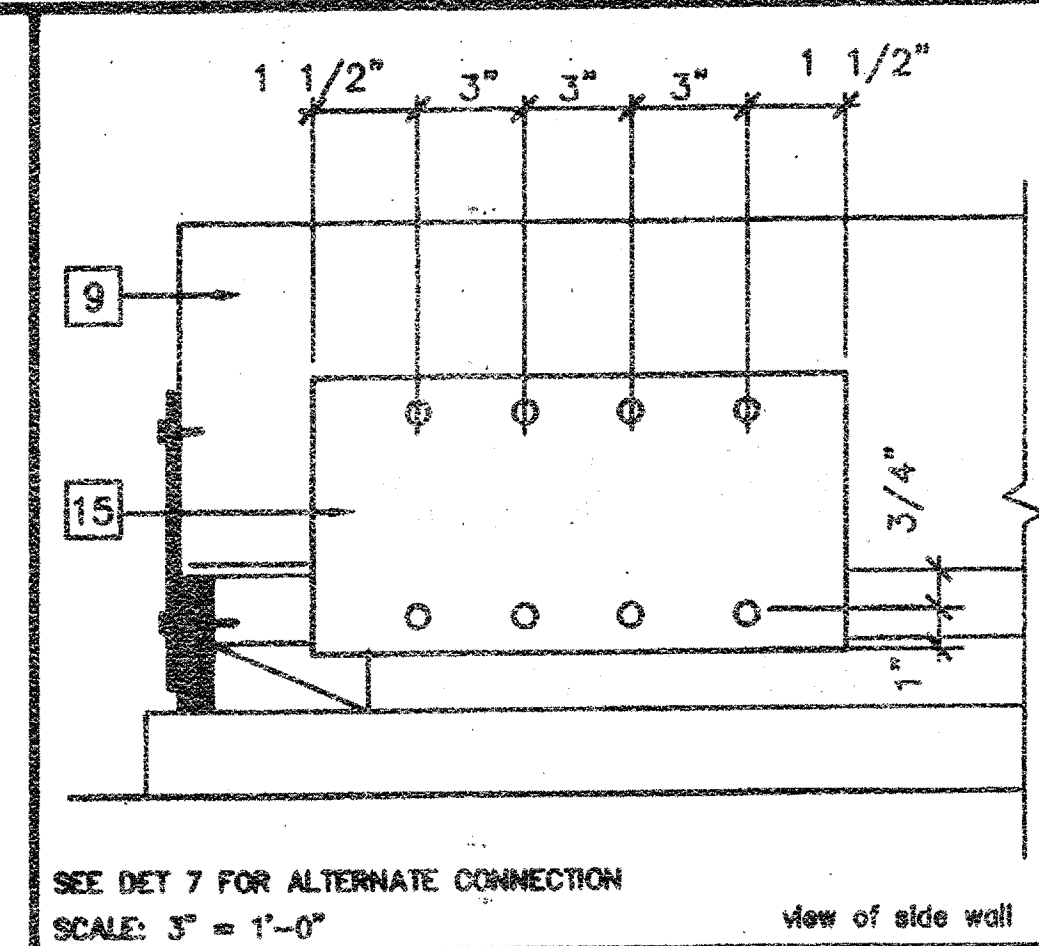
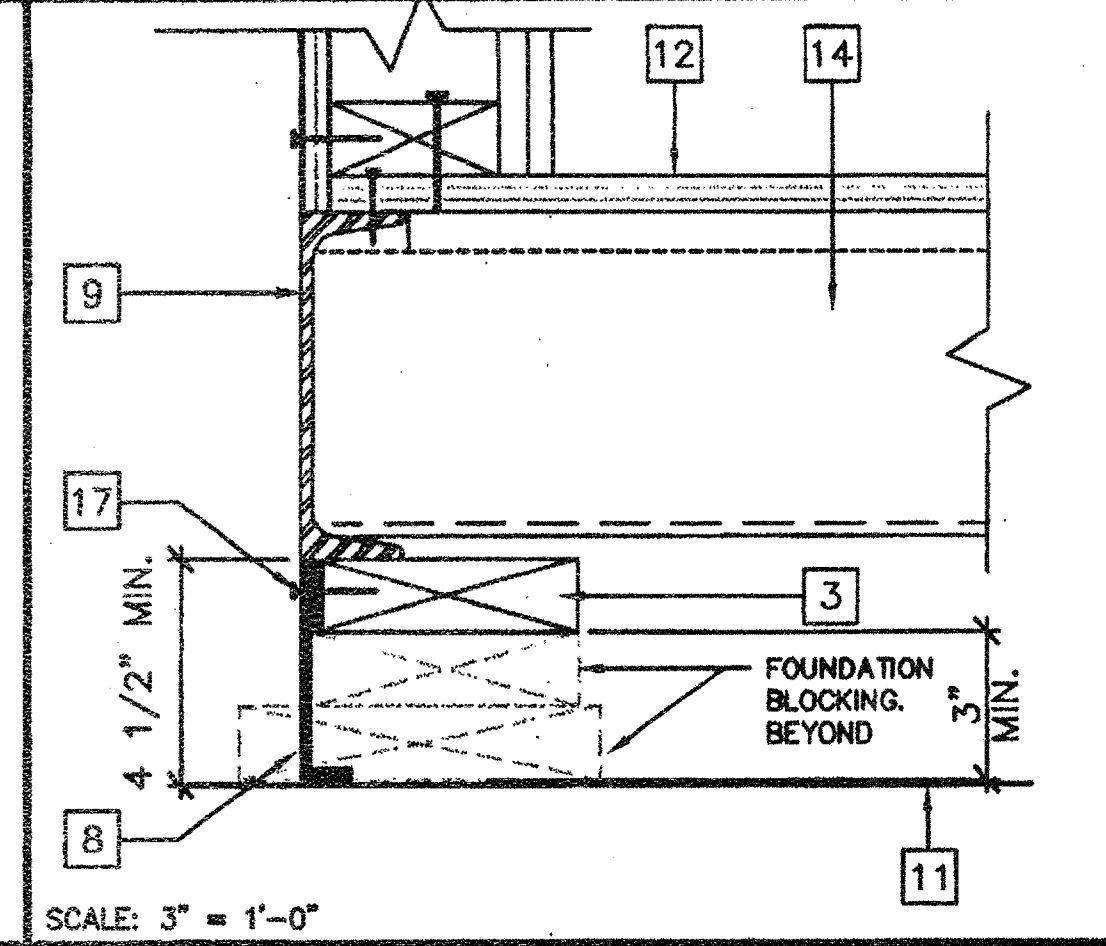


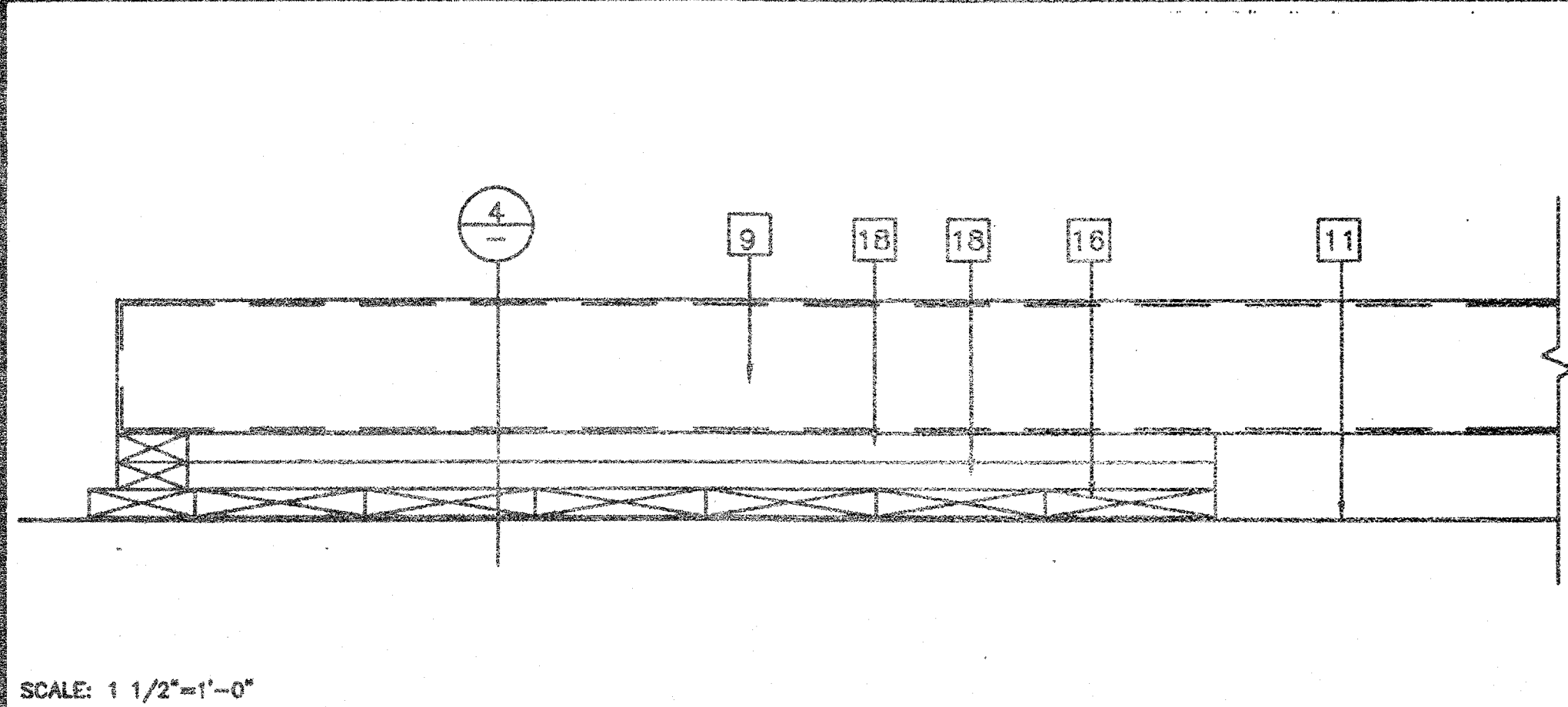
FOUNDATION ELEVATION AT SIDE WALL 9



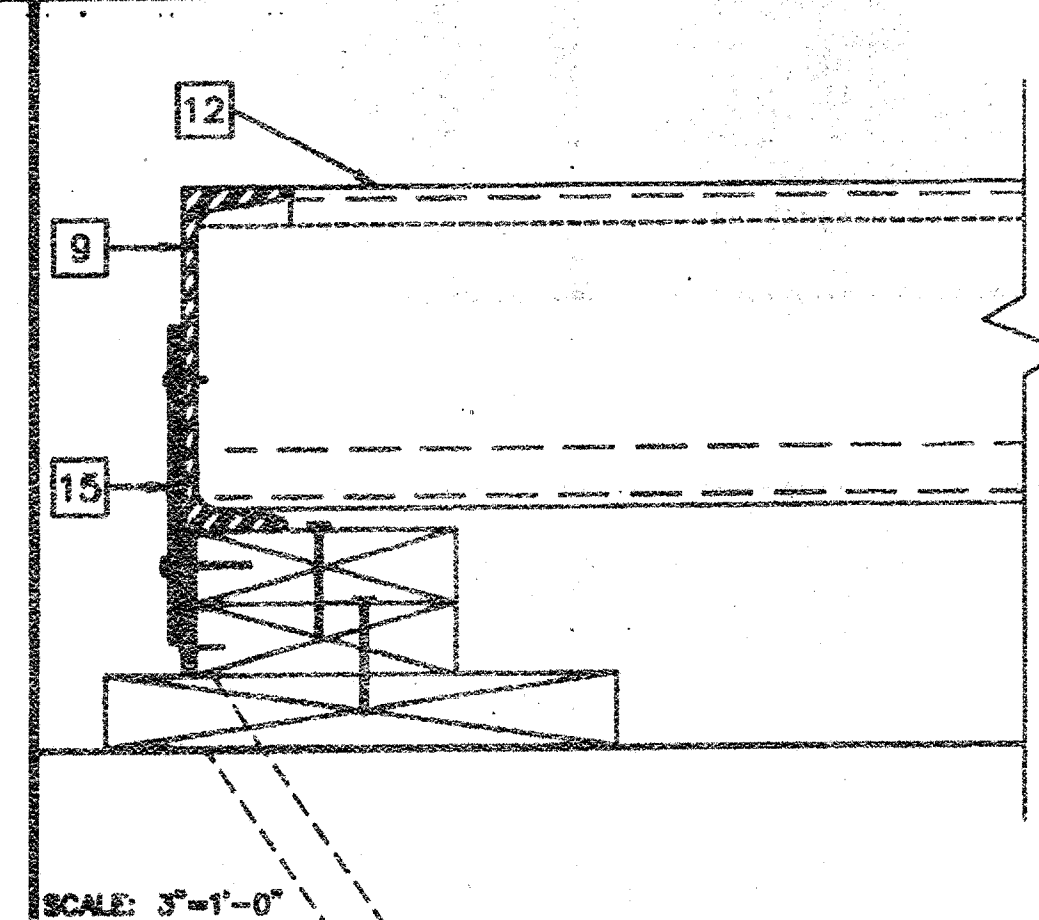
TIE PLATE ELEVATION 5



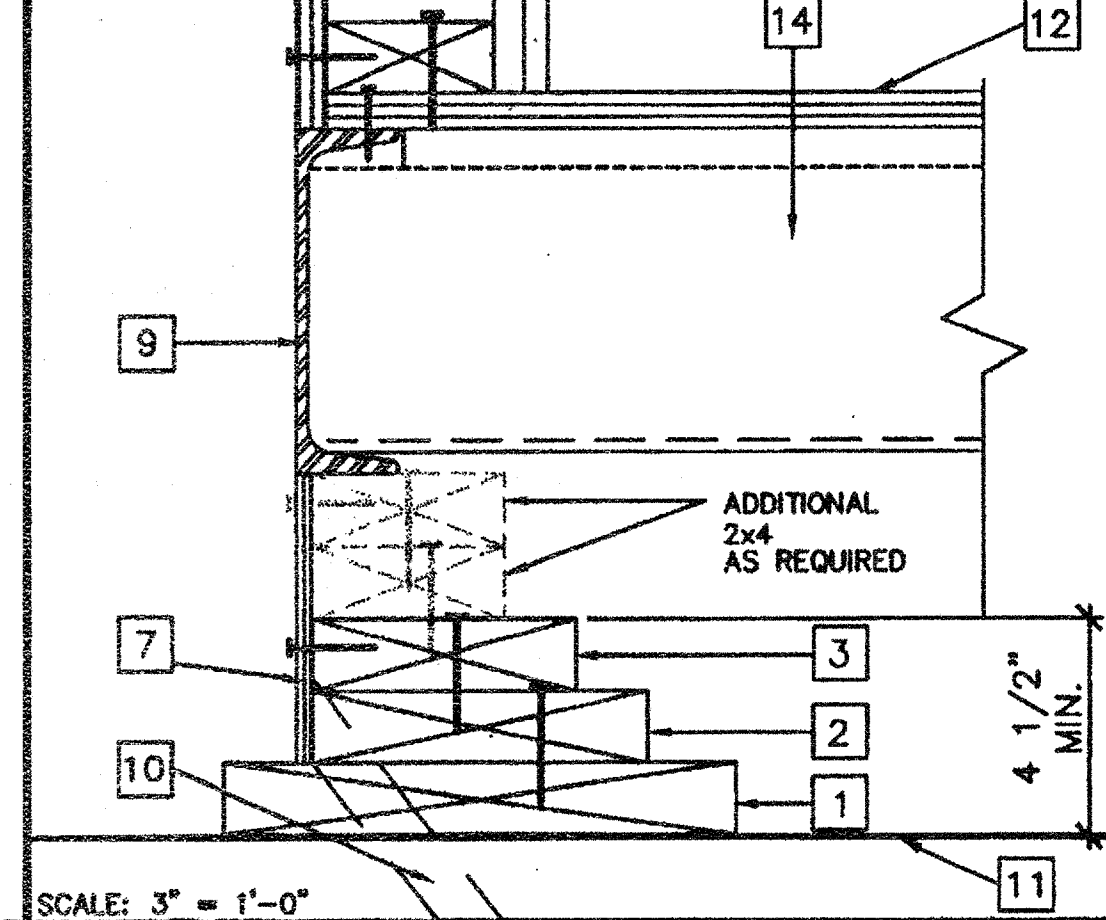
FOUNDATION VENT 1



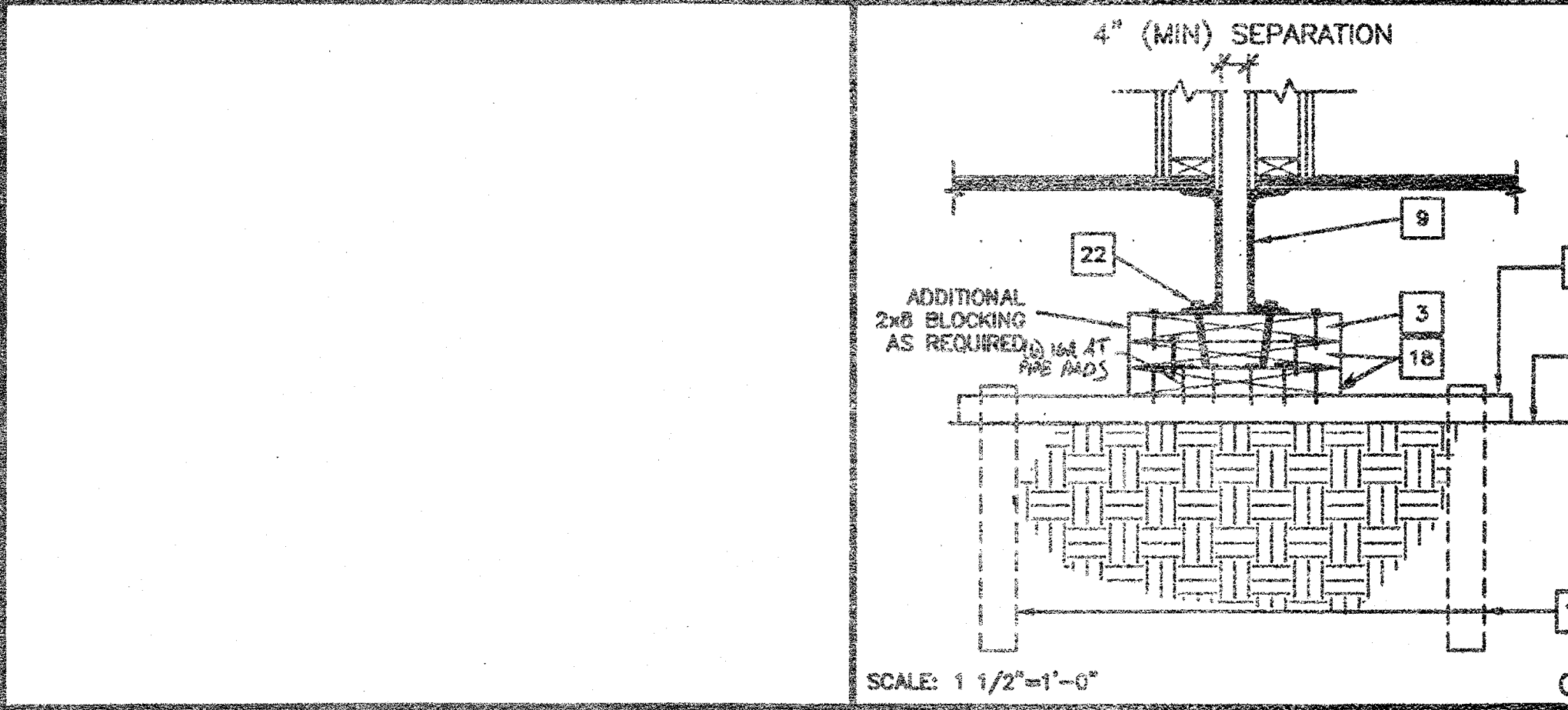
MODLINE PAD ELEVATION AT END WALL 10



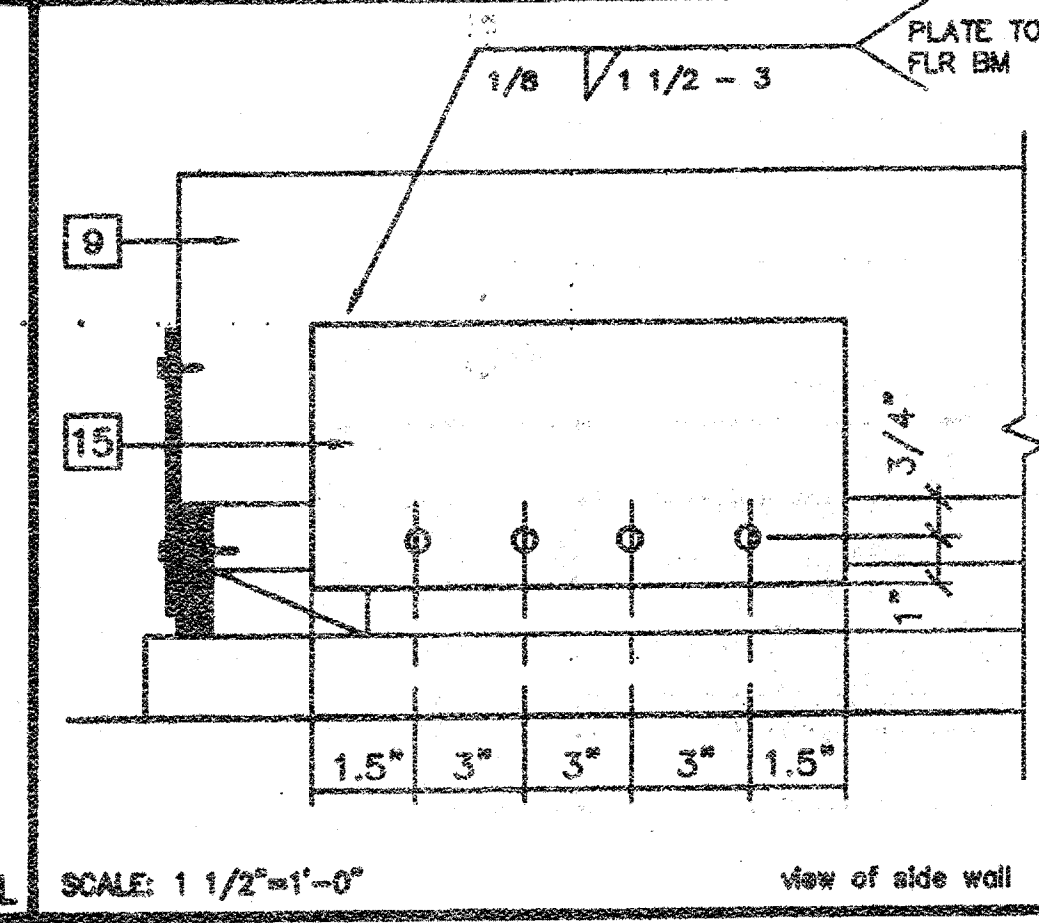
TIE PLATE SECTION 6



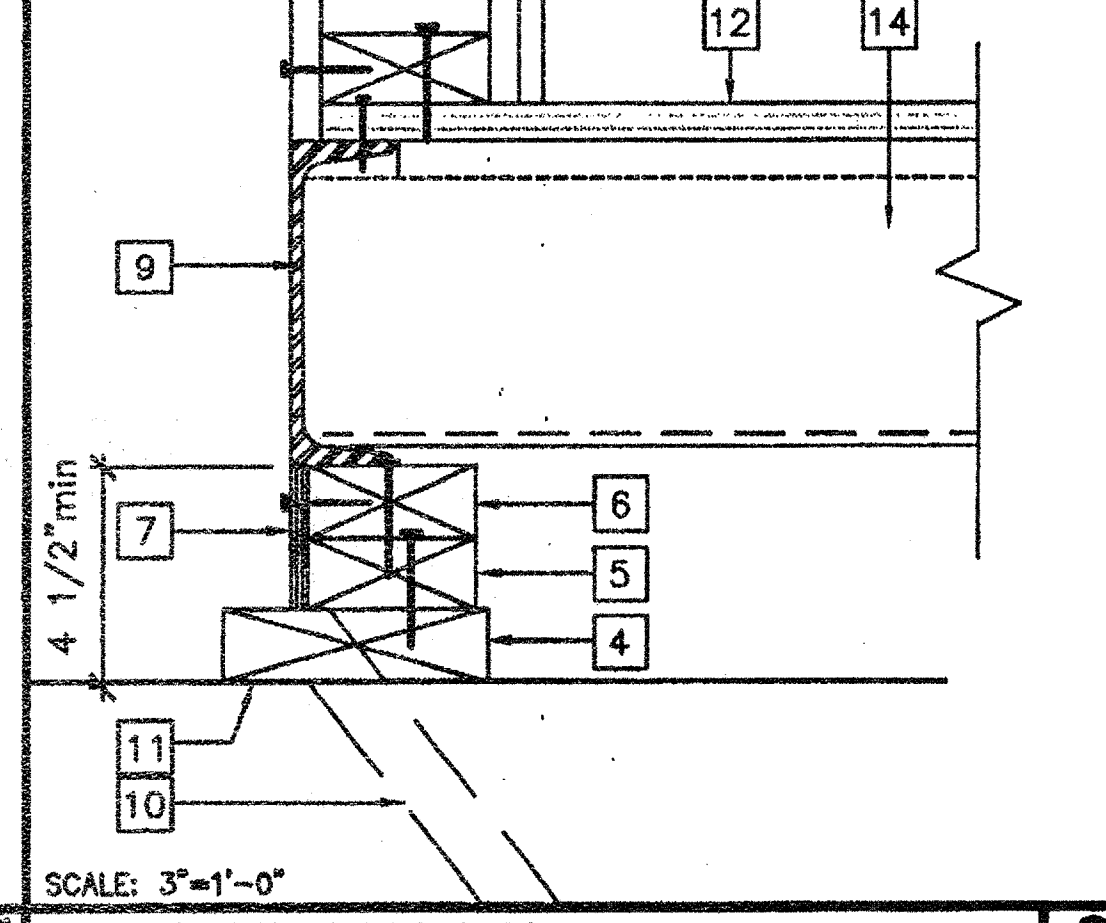
FOUNDATION AT SIDE WALL 2



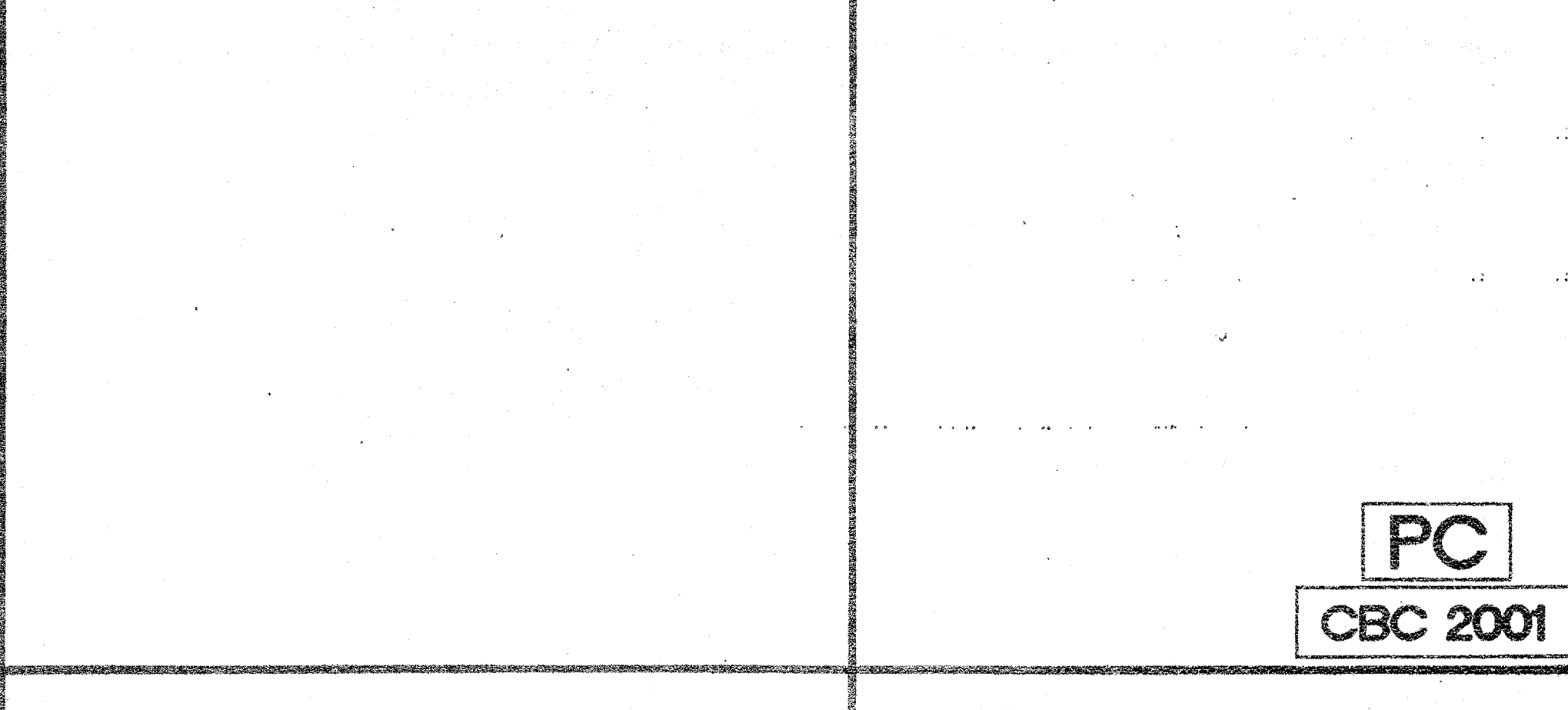
FOUNDATION AT ADJACENT BUILDING 11



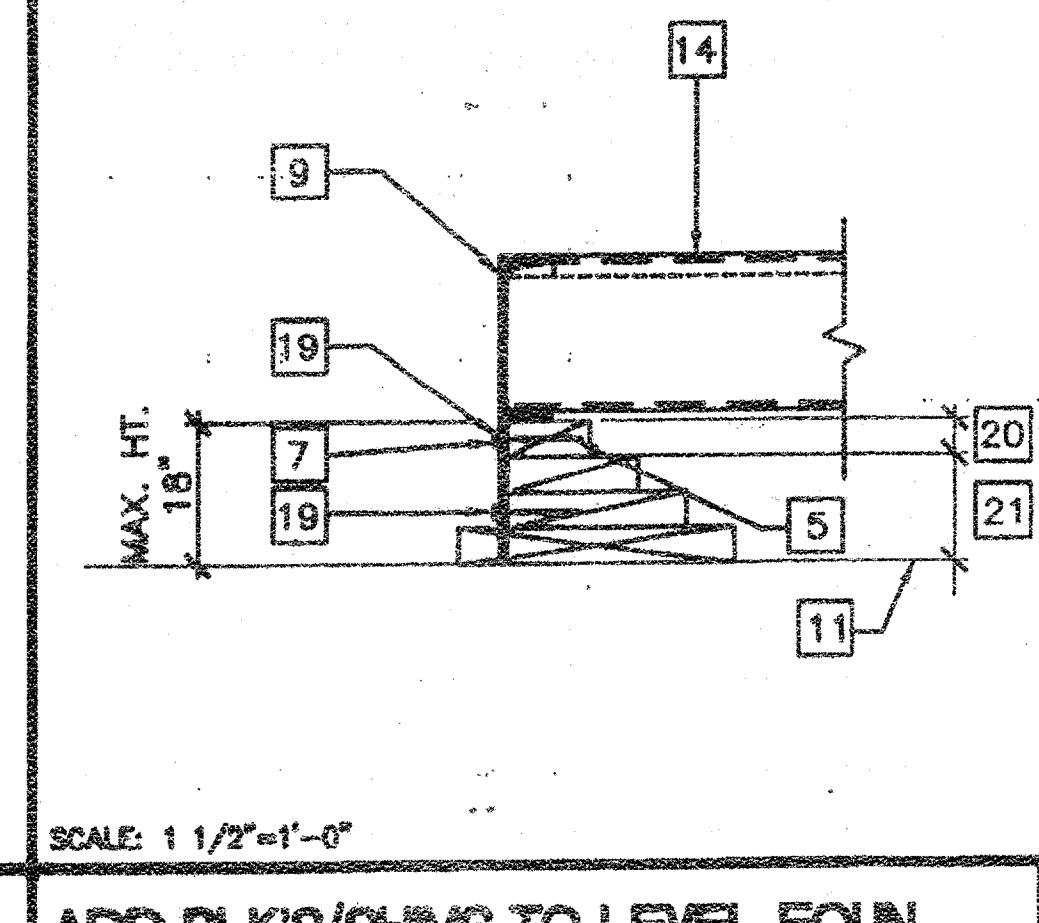
TIE PLATE WELD ALTERNATE 7



FOUNDATION AT END WALL 3



FOUNDATION PAD AT MODLINE 4



FOUNDATION PLAN w/ 3 PLATES

KEY NOTES

- 1 2x12 PT CONTINUOUS SILL PLATE - SEE FOUNDATION SCHEDULE
- 2 2x8 BLOCKING, FACE OR TOE NAIL 16d GALV. BOX NAILS AT 5" O.C. TO SILL PLATE (H.D.G.)
- 3 2x6 CONT. TOP PLATE, FACE OR TOE NAIL 16d GALV. BOX NAILS AT 12" OC TO BLOCKING, OMIT NAILS AT VENT OPENING (H.D.G.)
- 4 2x6 PT SILL PLATE
- 5 2x4 BLOCKING, FACE OR TOE NAIL 16d GALV BOX NAILS TO BLOCKING AT 12" OC (H.D.G.)
- 6 2x4 CONT. TOP PLATE, FACE OR TOE NAIL 16d GALV. BOX NAILS AT 12" OC TO BLOCKING (H.D.G.)
- 7 MINIMUM 5/8" PLYWOOD SKIRTING W/10d GALV BOX NAILS AT 4" O.C. END WALL EN AND 6" OC SIDE WALL EN AND TYPICAL 12" OC FN. (H.D.G.)
- 8 VENT: 24x40= 960 SF / A50 = 6.4 SF REQD. 3"x 6"-6" = 1.3x4 = 6.5 SF > 6.4 SF OK
- 9 PERIMETER FLOOR BEAM/ HEADER STR
- 10 SILL RESTRAINT. SEE NOTE 1 / F1.01
- 11 FINISH GRADE
- 12 PLYWOOD SUB FLOOR
- 13 MODLINE
- 14 FLOOR JOIST STR
- 15 6x12 x10 GA PLATE W/4- 1/4" DIA. SMS TO BEAM AND 4-1/4" DIA LAG SCREWS TO TOP PLATE. FOR ALTERNATE WELD SEE 9/F2.6 PAIRED
- 16 2x12 x 2'-6" SILL PADS. SEE FOUNDATION PLAN FOR QUANTITY
- 17 10d GALV BOX NAILS AT 4" OC OVER VENTS (H.D.G.)
- 18 2x8 CONT TOP PLATE/ BLOCKING W/ 16d GALV BOX NAILS AT 12" OC (H.D.G.)
- 19 EN SEE NOTE #7
- 20 ADD BLOCKING OR SHIMS AS REQ. TO MAX. HT. SEE DETAIL #2 & #8
- 21 MIN. FOUNDATION HEIGHT. SEE DETAIL #2
- 22 5/8" DIA x 4" LAGS (FOR LOCATION SEE PLAN)

H.D.G. = HOT DIP GALVANIZED

AGENCY TRACKING NO. 63321-154
FILE NO. 15-6
IDENTIFICATION STAMP
DIV. OF THE STATE ARCHITECT
OFFICE OF REGULATION SERVICES
03-117035
AC FLS SS BY
DATE 6/28/2016

IDENTIFICATION STAMP
DIV. OF THE STATE ARCHITECT
OFFICE OF REGULATION SERVICES
04 105455
AC FLS SS NB
DATE JUL 17 2003

~~IDENTIFICATION STAMP
DIV. OF THE STATE ARCHITECT
OFFICE OF REGULATION SERVICES
04 105455
AC FLS SS NB
DATE JUL 17 2003~~

REVISIONS	DESCRIPTION	DATE

Electrical Engineer's Seal Mechanical Engineer's Seal PC Professional of Record Seal Architects Seal

PC
CBC 2001

IDENTIFICATION STAMP
DIV. OF THE STATE ARCHITECT
OFFICE OF REGULATION SERVICES
PC-04
104796
AC FLS SS
DATE 7/1/03

ADD BLK'S/SHIMS TO LEVEL FOUR

MODTECH
2830 BARRETT AVENUE PH (909) 943-4014
PERRIS, CALIF. 92571 FAX (909) 940-0427

PROJECT NUMBER: 4736
WILLIAM SCOTISMAN

FOUNDATION PLAN

© MODTECH, INC. 2002

DRAWN BY: CL
DATE: 07/07/03

CHECKED BY:
DATE:

MODTECH Index No.
F2.01