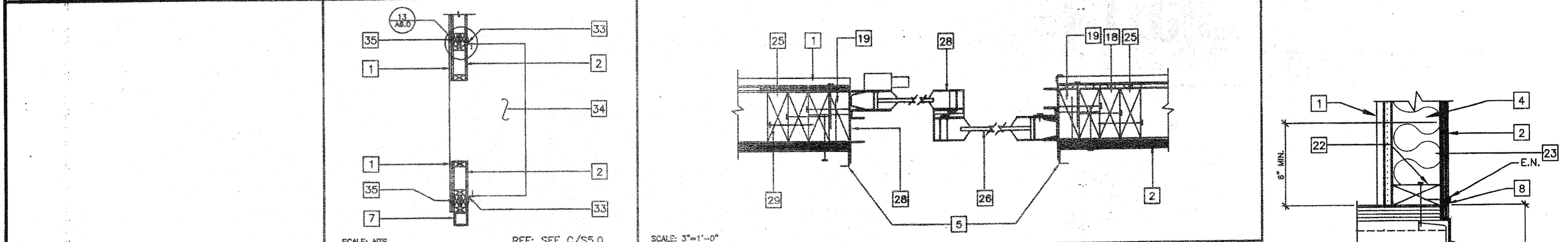
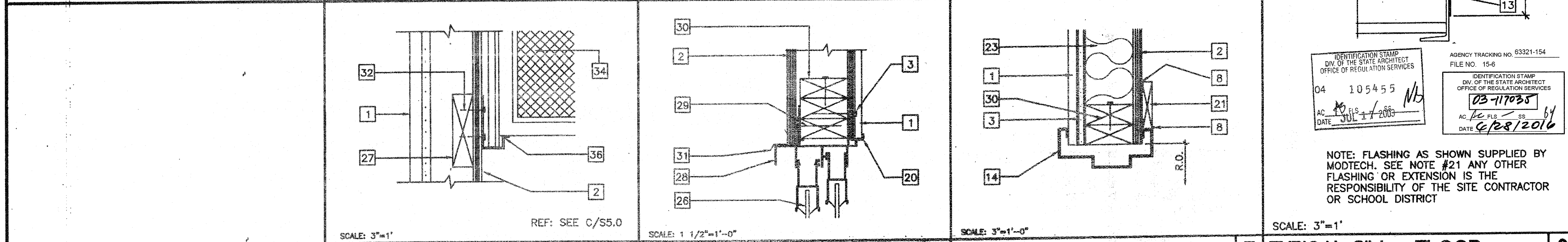


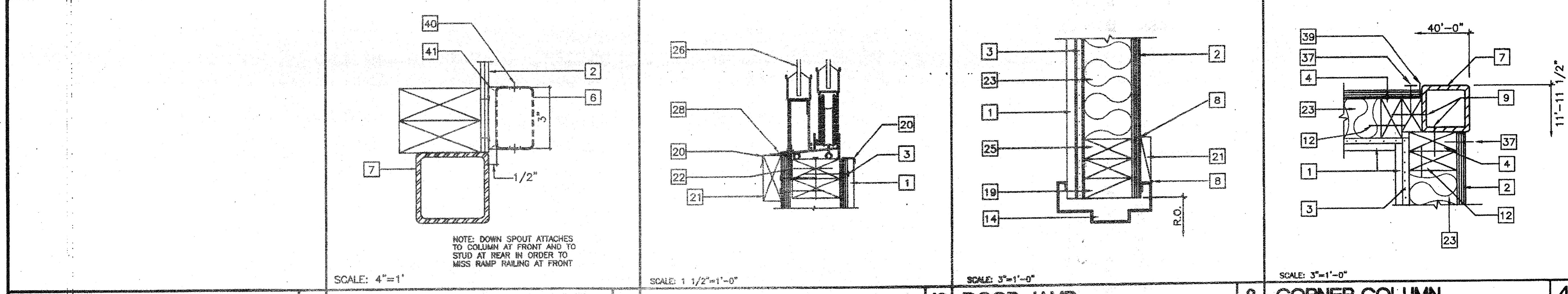
CLOSURE BETWEEN BLDG'S 17 **UNIT ATTACHMENT** 13 **DOOR JAMB** 9 **COLUMN • MODLINE** 5 **THRESHOLD** 1



A.C. UNIT (PLAN) 18 **WINDOWS SECTION • JAMBS** 14 **A.C. UNIT (BOTTOM)** 19



WINDOW HEADER 15 **DOOR HEADER** 11 **TYPICAL SILL • FLOOR** 7



DOWNSPOUT ATTACHMENT 20 **SILL PLATE** 16 **DOOR JAMB** 12 **CORNER COLUMN** 8

KEY NOTES

- 1 TYP. INTERIOR FINISH (SEE FINISH SCHEDULE)
- 2 TYPICAL EXTERIOR FINISH
- 3 1/2" GYPSUM BOARD BACKING W/ 7d COOLER NAILS AT MAX 7" O.C. TYP. AT EA. STUD
- 4 2X4 STUD TYP. AT 16" O.C. MAX.
- 5 CORNER MOLD
- 6 DOWNSPOUT
- 7 TUBE STEEL COLUMN SEE [STR]
- 8 CAULKING
- 9 #10 S.T.S.M.S. AT MAX. 24" O.C. (ALT. HILTI 0.145 SHOT PIN) 2X FILLER TO COLUMN
- 10 VINYL CLOSURE
- 11 MODULE JOINT
- 12 16d AT 24" O.C. FACE NAIL OR 16d AT 12" O.C. TOE NAIL (SEE SHEET S5.2)
- 13 FLOOR BEAM SEE [STR]
- 14 PRESSED STEEL FRAME (K.D. TYPE SEE A6.02)
- 15 ALUMINUM THRESHOLD (SEE HARDWARE SCHEDULE)
- 16 FINISH LANDING SEE FLOOR PLAN AND FOUNDATION FOR TYPE AND FINISH
- 17 DOOR AND DOOR BOTTOM (SEE HARDWARE SCHEDULE)
- 18 (2) 2X4 KING STUD (SEE SHEET S5.0)
- 19 2X4 TRIMMER (SEE SHEET S5.0)
- 20 7" MOLD 28GA
- 21 4" ABTCD TRM
- 22 (2) 2X4 SILL PLATE W/ 16d AT 16" O.C.
- 23 INSULATION (SEE SPECS. FOR SIZE AND TYPE)
- 24 FINISH FLOORING (SEE FINISH SCHEDULE SHEET A6.02)
- 25 2X4 JAMB STUDS (SEE SHEET S5.0) DETAILS FOR NUMBER OF STUDS REQUIRED AND NAILING SCHEDULE FOR NAILING
- 26 WINDOW GLAZING (SEE WINDOW SCHEDULE SHEET A6.02)
- 27 2X6 LET IN (SEE WALL FRAMING SHEET C/S4.0)
- 28 ALUMINUM WINDOW FRAME WITH NAIL-ON FINISH. INSTALL W/ MIN. 3" BLDG. PAPER BETWEEN FINISH AND FRAMING. INSTALL WITH 8d AT MAX. 24" O.C.
- 29 16d BOX STAGGERED AT MAX 24" O.C.
- 30 HEADER 12/S5.0
- 31 26 GA DRIP FLASH
- 32 6-3/8" X 2" GALVANIZED LAG SCREWS
- 33 L 1-1/2"x1-1/2"x1/8"x18" LONG (BY HVAC MFR.) ATTACHED TO A/C W/ 4-#10 SELF TAPPING SHEET METAL SCREWS AND ATTACH TO WALL W/ 3" X 2" GALVANIZED LAG SCREWS
- 34 SIDE OF HVAC UNIT SEE [STR]
- 35 (3) 2X4 W/ PLYWOOD SPACER- BUILT- UP POST. 6d AT O.C. STAGGERED SPACER TO FIRST 2X4 16d AT 12" O.C. SECOND 2X4 12d AT 12" O.C. STAGGERED THIRD 2X4 ALTERNATE USE 4X4 POST
- 36 11GA. X24" STEEL SUPPORT BRACKET
- 37 EN - 8d BOX ELECTRO GALV. AT 6" O.C.
FN - 8d BOX ELECTRO GALV. AT 12" O.C.
- 38 26 GA GALVANIZED FLASH AT DOOR SILL
- 39 22 GA. GALV. FLASHING (AT BELOW GRADE CONC. FOUNDATION ONLY)
- 40 #8 STMS - 1 AT EA SIDE OF DOWNSPOUT TO BRACKET
- 41 ATTACHMENT BRACKET (TYP 3 PLACES: TOP, BOTTOM & MIDSPAN W/ 2-#10 STMS, BRACKET TO STUD) SEE NOTE AT DETAIL 6

NOTES

1. EN 8d ELECTRO GALV. AT 6" O.C.
 2. FN 8d ELECTRO GALV. AT 12" O.C.
 3. SEE SHEET S5.0 FOR TYPICAL WALL FRAMING NAILING
- INSULATION MATERIALS INSULATED WITHIN FLOOR-CEILING ASSEMBLIES, ROOF-CEILING ASSEMBLIES, WALLS, CRAWL SPACES, OR ATTICS SHALL HAVE A FLAMESPREAD RATING NOT TO EXCEED 25 AND A SMOKE DENSITY NOT TO EXCEED 450. EXCEPTIONS:
A: FOAM PLASTIC INSULATION SHALL COMPLY WITH SEC. 2602
B: WHEN MATERIALS ARE INSULATED IN CONCEALED SPACES OF TYPES I, II, IV, AND V CONSTRUCTION, THE FLAME SPREAD AND SMOKE-DEVELOPED LIMITATIONS DO NOT APPLY TO FACINGS IF THE FACINGS IS FACINGS IN SUBSTANTIAL CONTACT WITH THE UNEXPOSED SURFACE OF THE CEILING, FLOOR OR WALL FINISH. (SEC. 707.3 CBC)

REVISIONS

Electrical Engineer's Seal Mechanical Engineer's Seal PC Professional of Record Seal Architects Seal

PC
CBC 2001
IDENTIFICATION STAMP
DIV. OF THE STATE ARCHITECT
OFFICE OF REGULATION SERVICES
PC-04
104796
DATE: 5/2/03

MODTECH™
2830 BARRETT AVENUE FAX (909) 943-4014
PERRIS, CALIF. 92572 FAX (909) 940-0427

PROJECT NUMBER: 4736
WILLIAM SCOTTSMAN

© MODTECH, INC. 2002
ALL RIGHTS RESERVED

DRAWN BY: GL
DATE: 07/07/03
CHECKED BY:
DATE:

ARCHITECTURAL DETAILS

A4.03