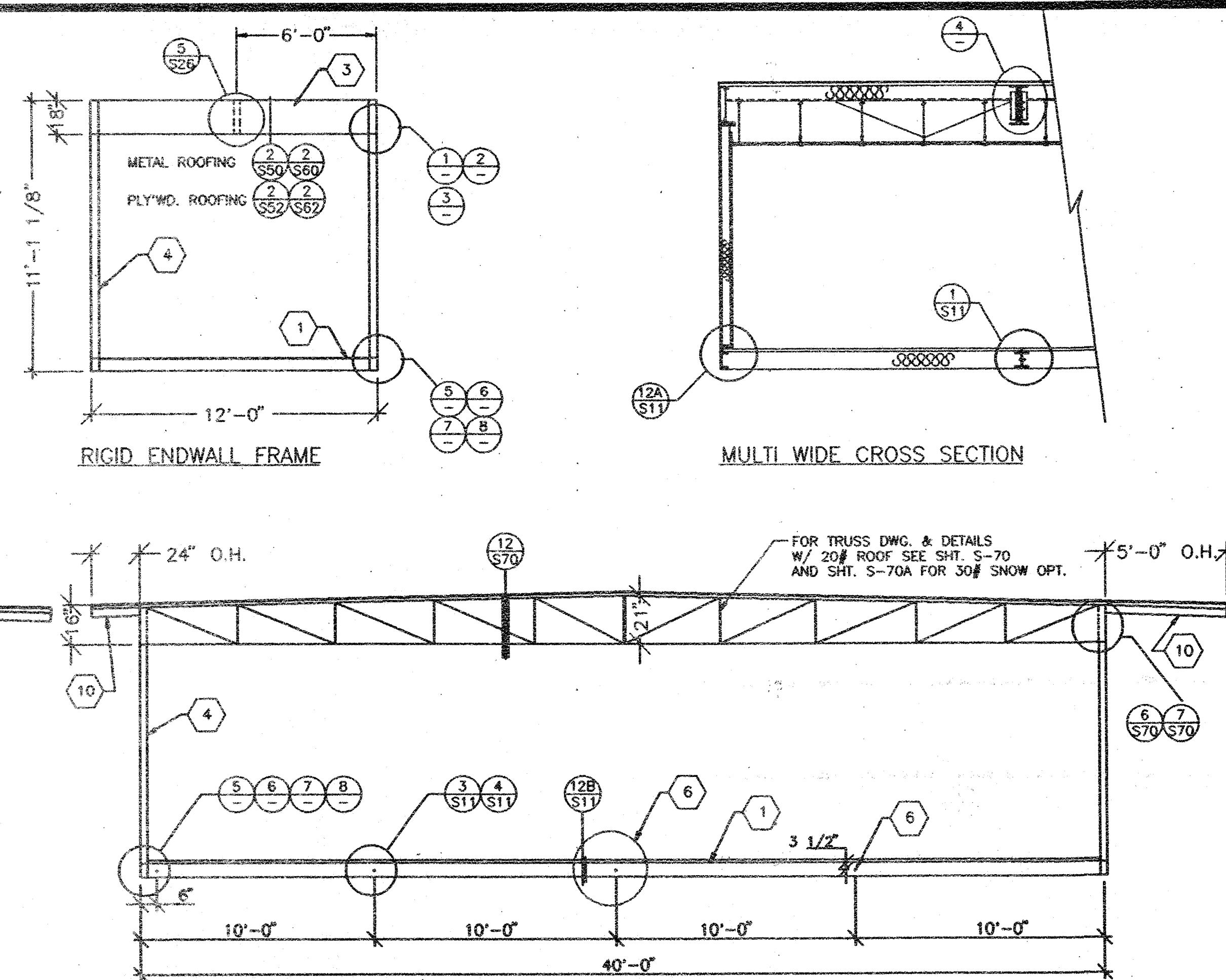


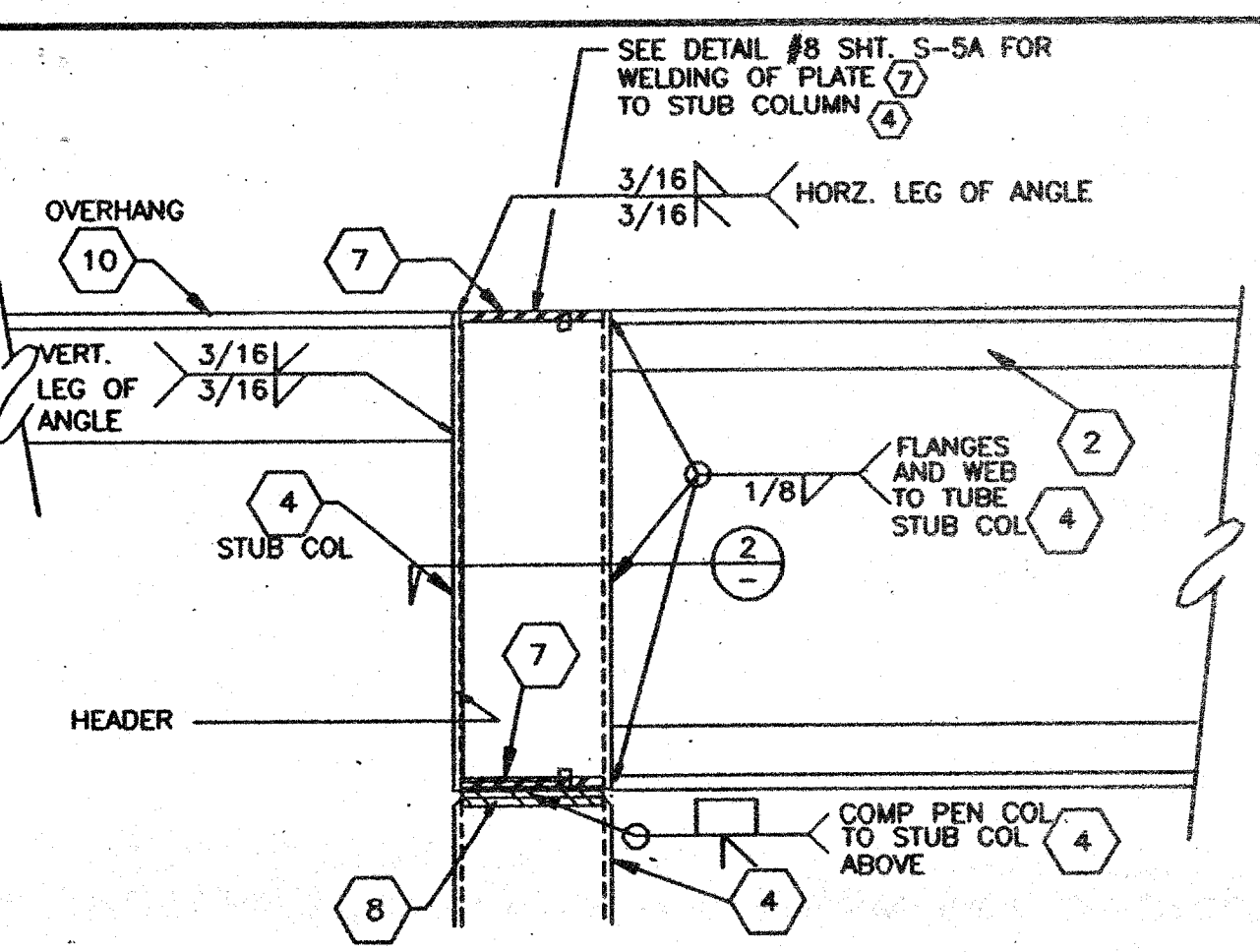
SIDEWALL STRUCTURAL ELEVATION



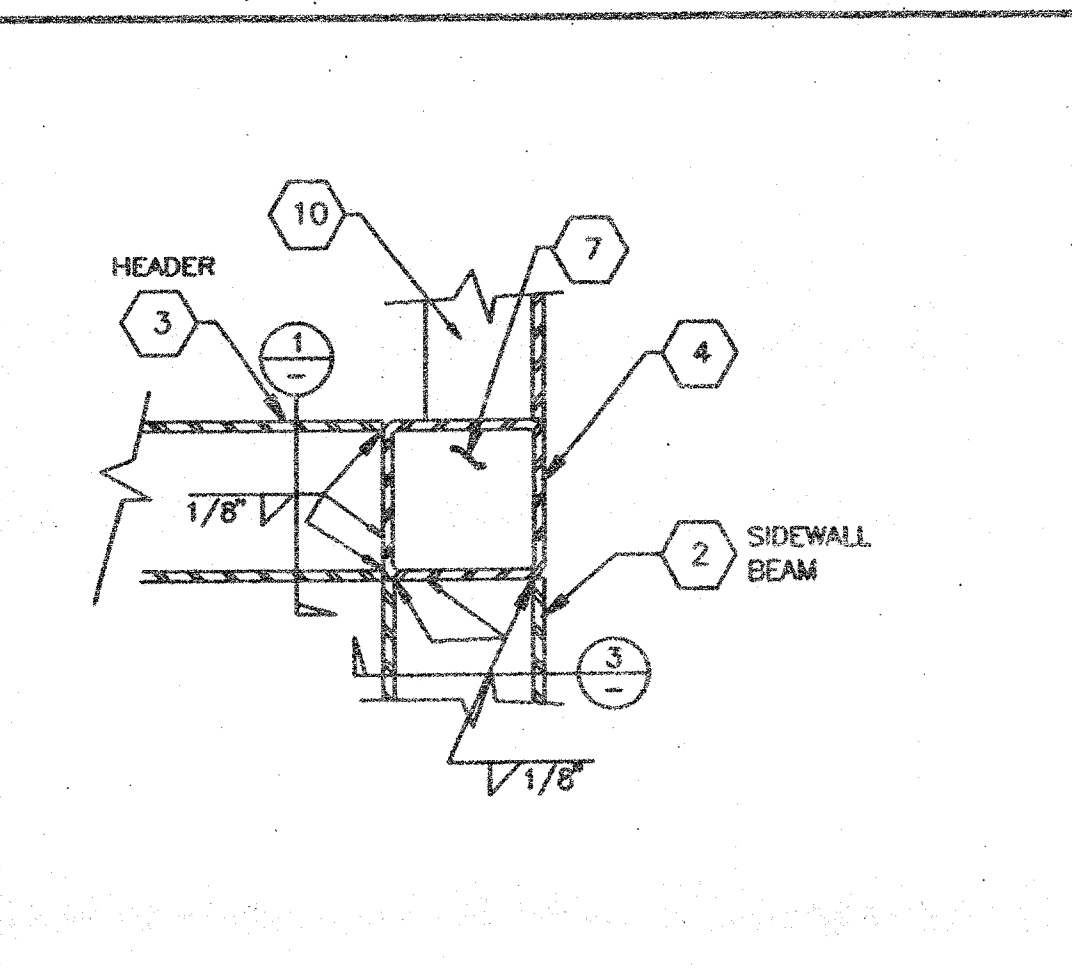
LONGITUDINAL CROSS SECTION

STRUCTURAL CROSS SECTIONS (COLD ROLLED)

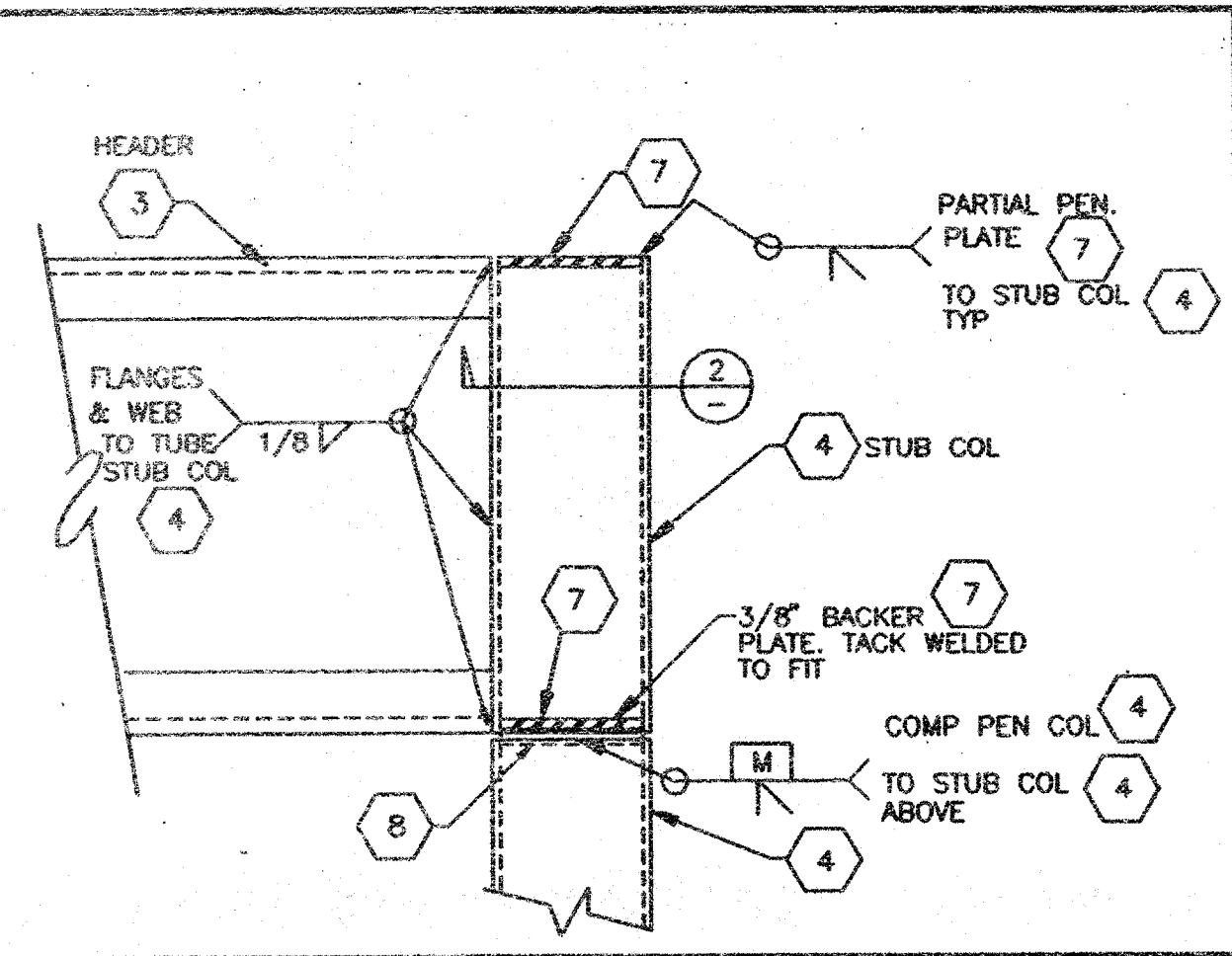
SCALE 1/4" = 1'-0"



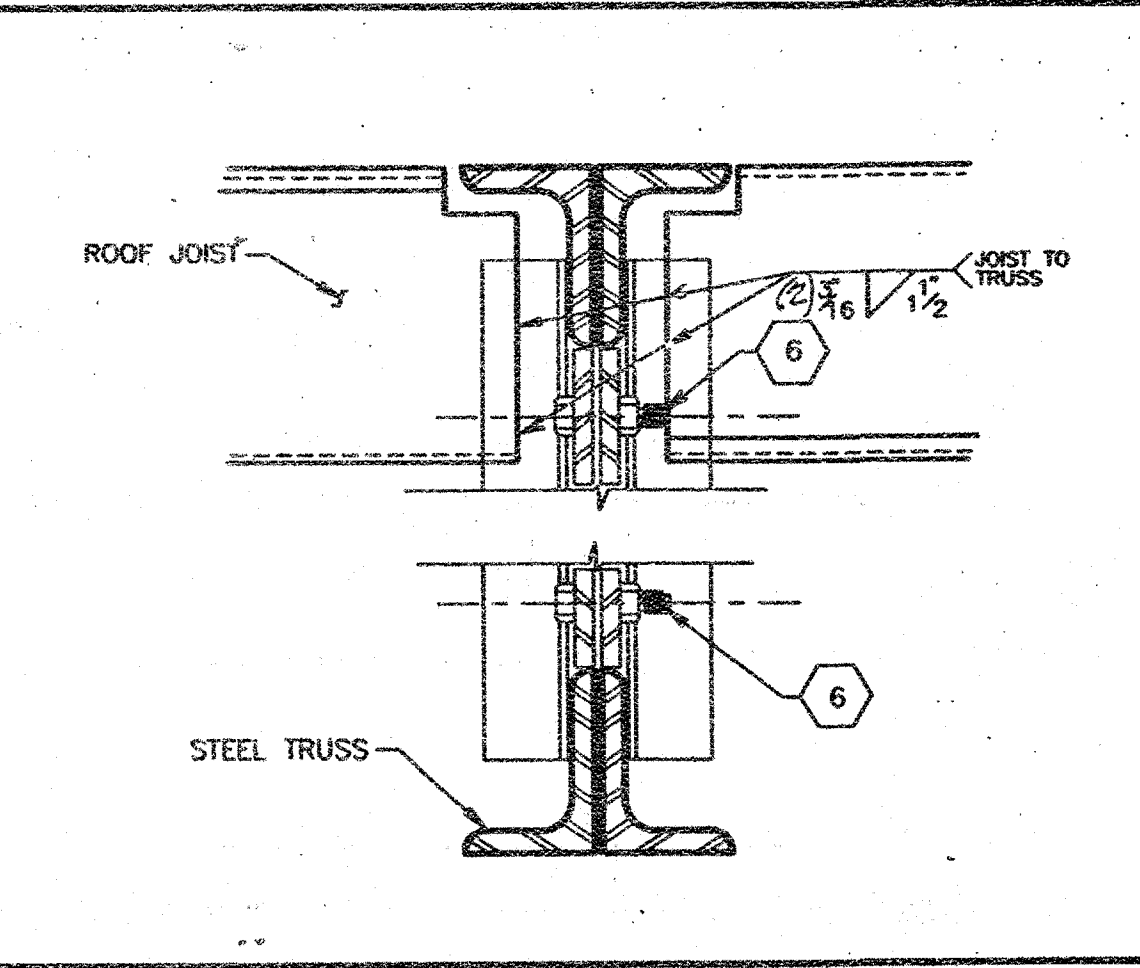
1 POST CONN. @ ROOF LONGITUDINAL



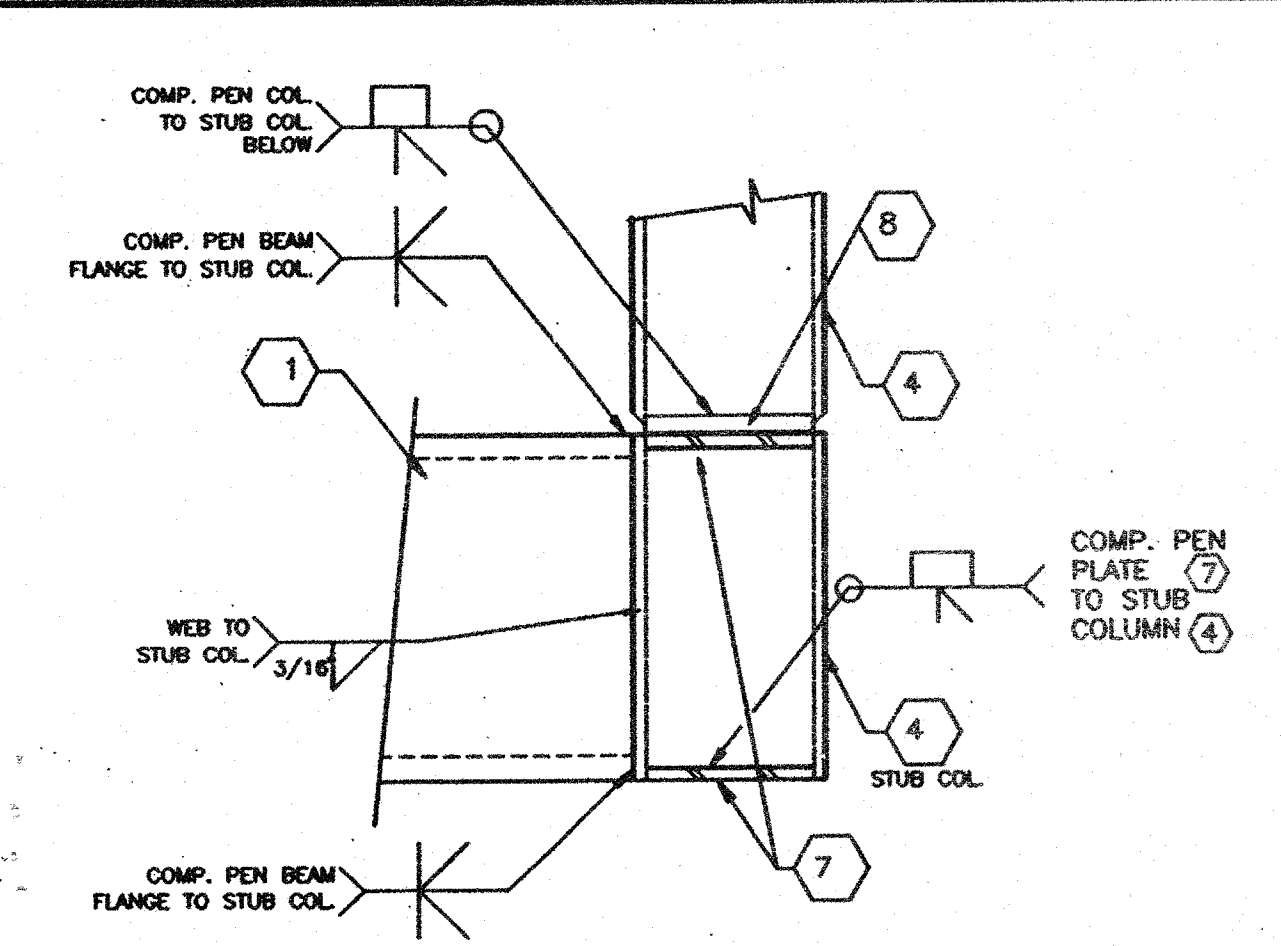
2 POST CONN. @ ROOF



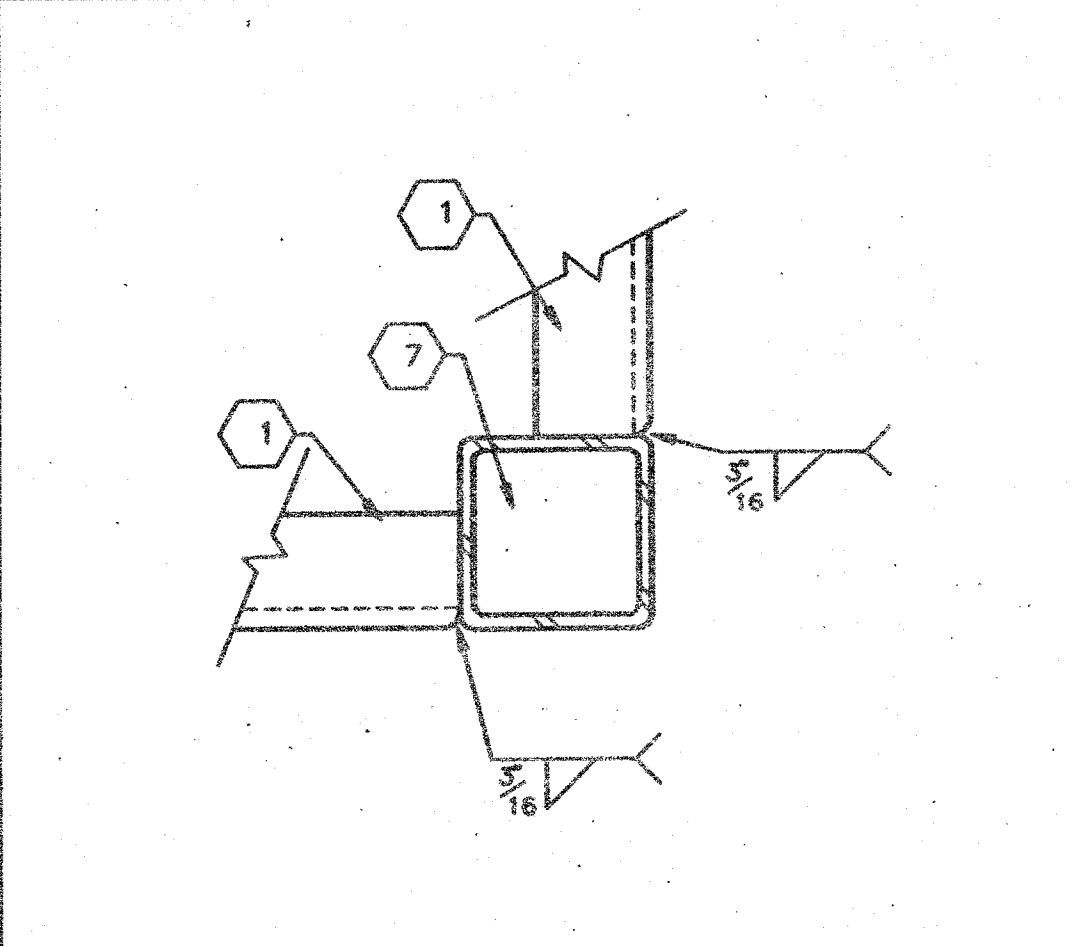
3 POST CONN. @ ROOF TRANSVERSE



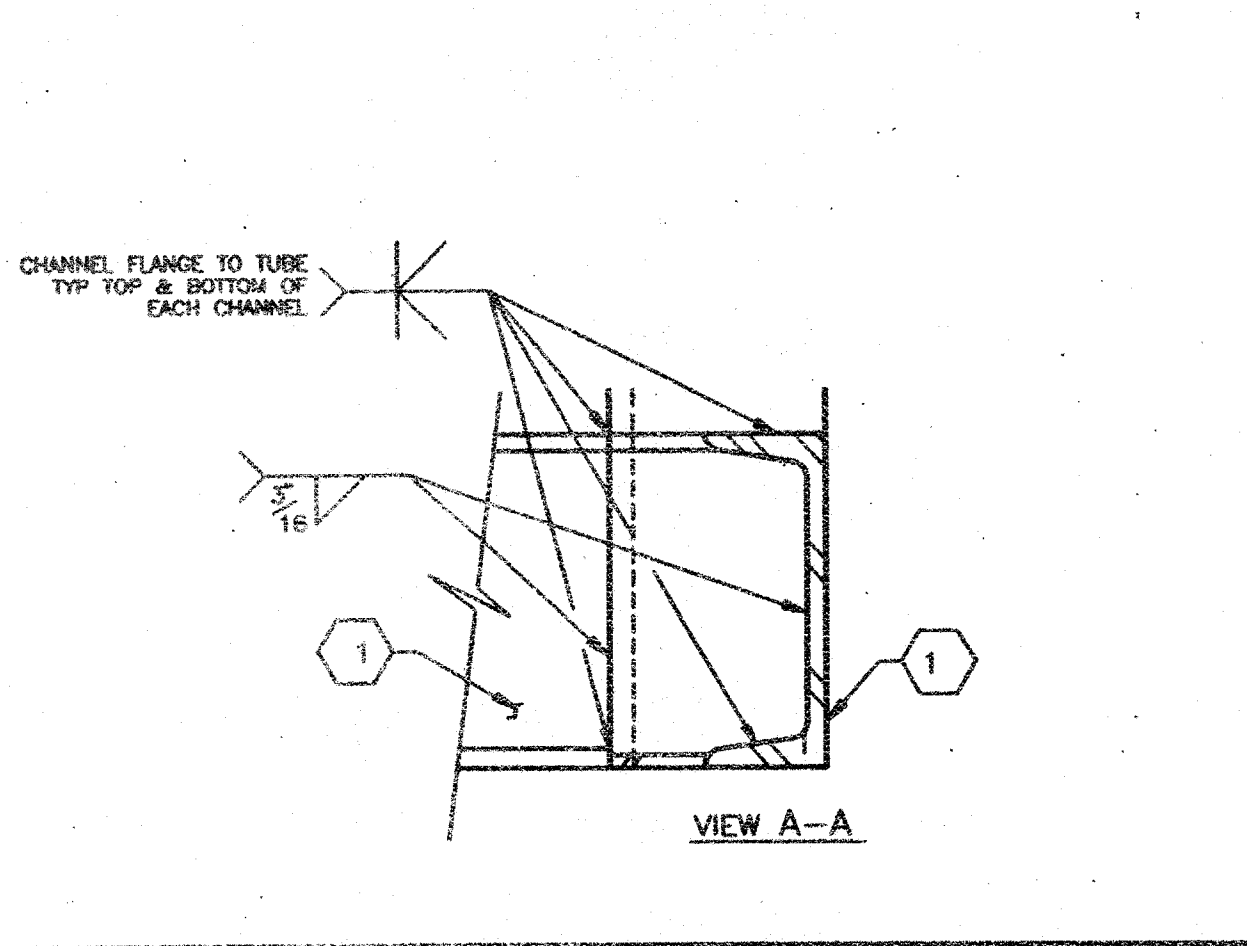
4 MOD. LINE @ ROOF



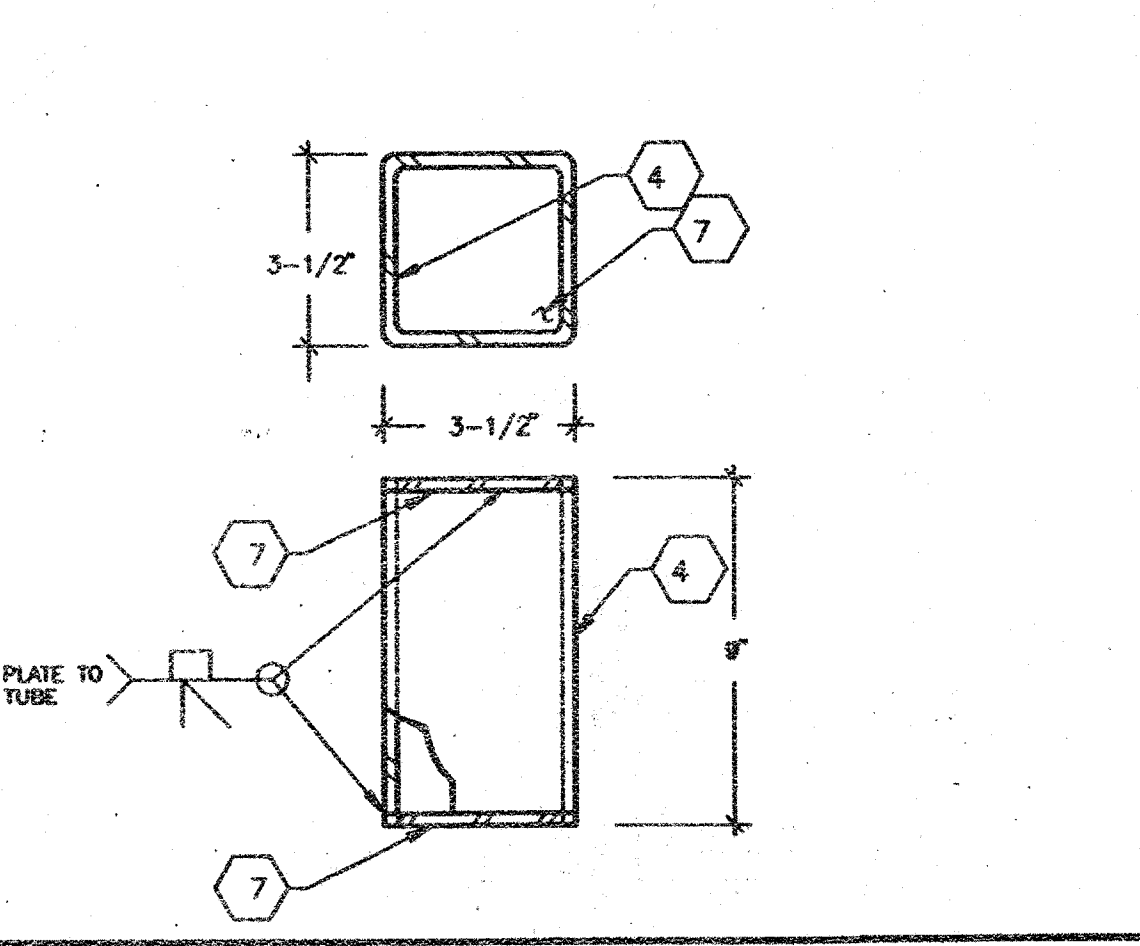
5 COLUMN CONN. @ FLOOR



6 CORNER CONNECTION @ FLOOR



7 STUB TUBE TO FLOOR FRAME



8 TUBE PLATE WELDMENT

KEYNOTES

- NOTES
- [7 x 9.8 lb PERIMETER FLOOR FRAME
 - [18 x 23 x 18 x 3 1/2 x 10 GA. BEAM
 - [18 x 3 1/2 12 GA. HEADER
 - 3 1/2" x 3 1/2" x 3/16" TUBE STEEL COLUMN AT 20# ROOF
3 1/2" x 3 1/2" x 1/4" TUBE STEEL COLUMN AT 30# ROOF
 - 3/16" x FULL HEIGHT STIFFENER IN CHANNEL AT PURLIN LOCATION, SEE SHEET S-5
 - 5/8" MACHINE BOLT @ MODULE CONNECTION LOCATIONS AT 8 FT. O.C. AT ROOF AND 10 FT. O.C. AT FLOOR (TYPE I)
 - 1/4" PLATE FILLED INSIDE TUBE COLUMN AND WELD IN PLACE
 - 3/8" CAP PLATE FITTED INSIDE TUBE COLUMN AND WELD IN PLACE
 -
 - 4 x 3 x 3/8" AT PERIMETER ROOF OVERHANG FOR OPTIONAL 30 PSF ROOF

THIS DRAWING AND THE MATERIAL CONTAINED THEREIN ARE THE PROPERTY OF M.S.I. INC. AND SHALL NOT BE REPRODUCED, COPIED OR OTHERWISE DISPOSED OF IN WHOLE OR IN PART TO ASSIST IN THE MAKING OF ANY OTHER DRAWING OR FOR THE PURPOSE OF FURNISHING ANY INFORMATION OR PARTS THEREOF WITHOUT THE FULL KNOWLEDGE AND WRITTEN CONSENT OF M.S.I. INC. ALL PATENTABLE AND UNPATENTABLE INVENTIONS OF M.S.I. INC. AND MATERIAL CONTAINED HEREIN AND ORIGINATING WITH M.S.I. INC. SHALL BE THE PROPERTY OF M.S.I. INC.

ARCHITECT APPROVAL

STRUCTURAL ENGINEERS STAMP

STATE AGENCY APPROVAL

AGENCY TRACKING NO. 65321-154
FILE NO. 15-6
IDENTIFICATION STAMP
DIV. OF THE STATE ARCHITECT
OFFICE OF REGULATION SERVICES
03-11703J
AC / FLS / SS
DATE 6/28/2016

IDENTIFICATION STAMP
DIV. OF THE STATE ARCHITECT
OFFICE OF REGULATION SERVICES
4 10018
AC / FLS / SS
DATE JAN 13 1999

IDENTIFICATION STAMP
DIV. OF THE STATE ARCHITECT
OFFICE OF REGULATION SERVICES
PC-100073
AC / FLS / SS
DATE JAN 15 1999

MSI
MODULAR STRUCTURES INTERNATIONAL, INC.
920 CITRUS AVE. RIVERSIDE, CALIFORNIA, 92507
PHONE: (909) 786-3035 FAX: (909) 786-1523
PC-100073

PROJECT
24'X40', 36'X40', & 48'X40'
MODULAR CLASSROOM BUILDING

TITLE
DOUBLE SLOPE COLD ROLLED/
TRUSS RIGID FRAME

JOB #
DATE 1-9-98
DRAWN BY R.D.L.
SCALE NONE
APPROVED
REVISIONS
SHEET NO. S-5A