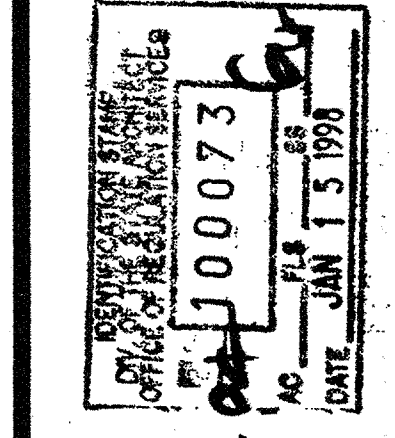
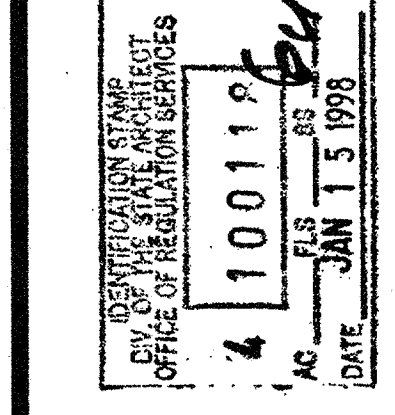
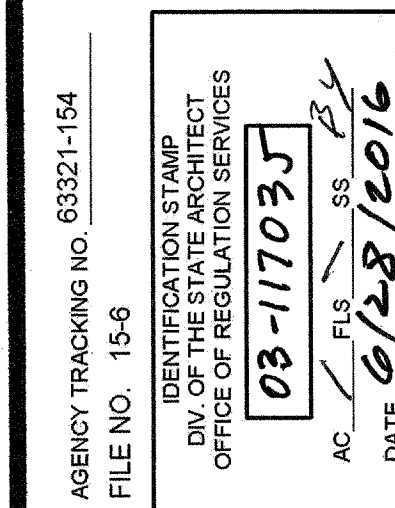
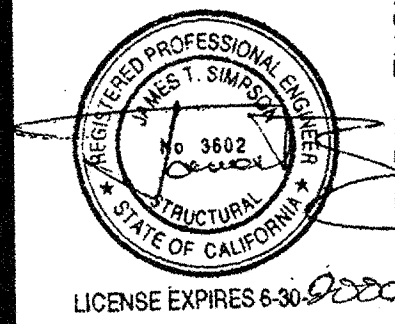
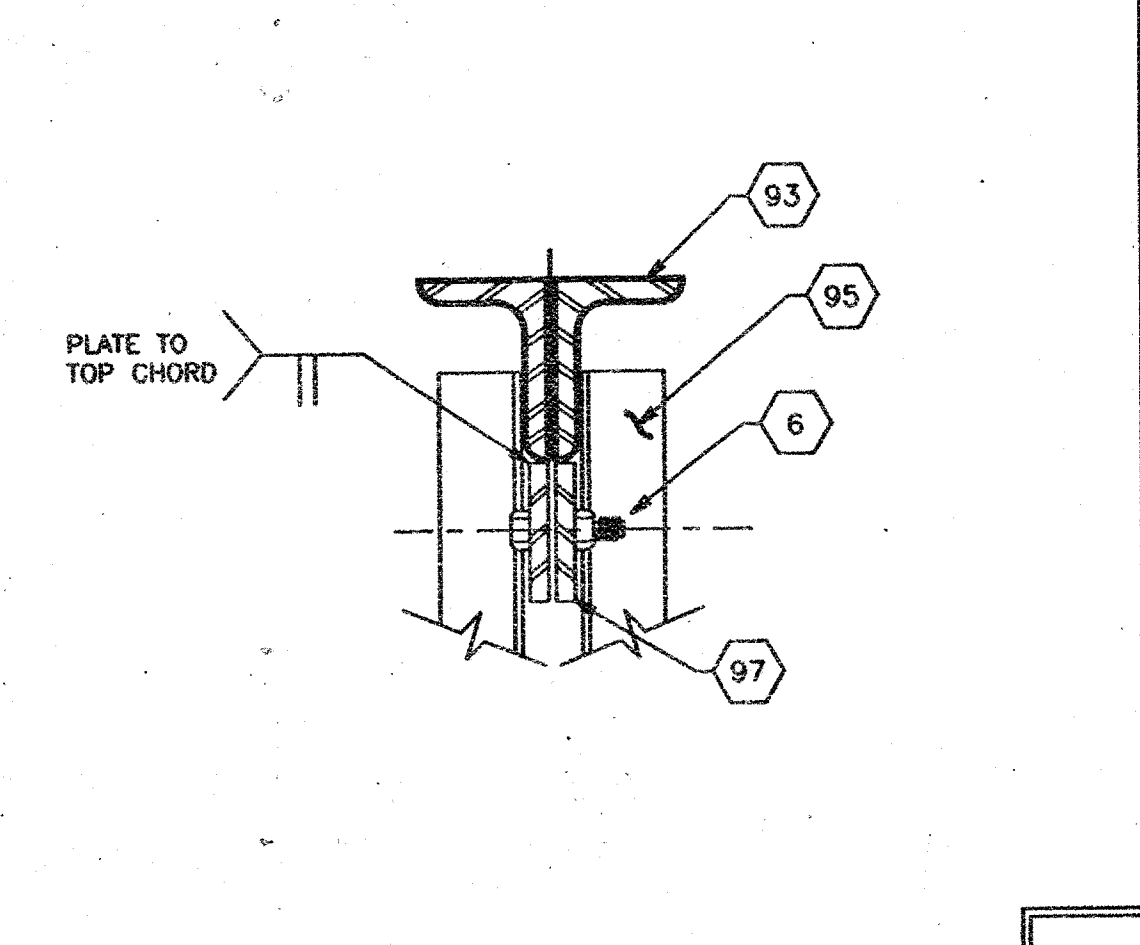
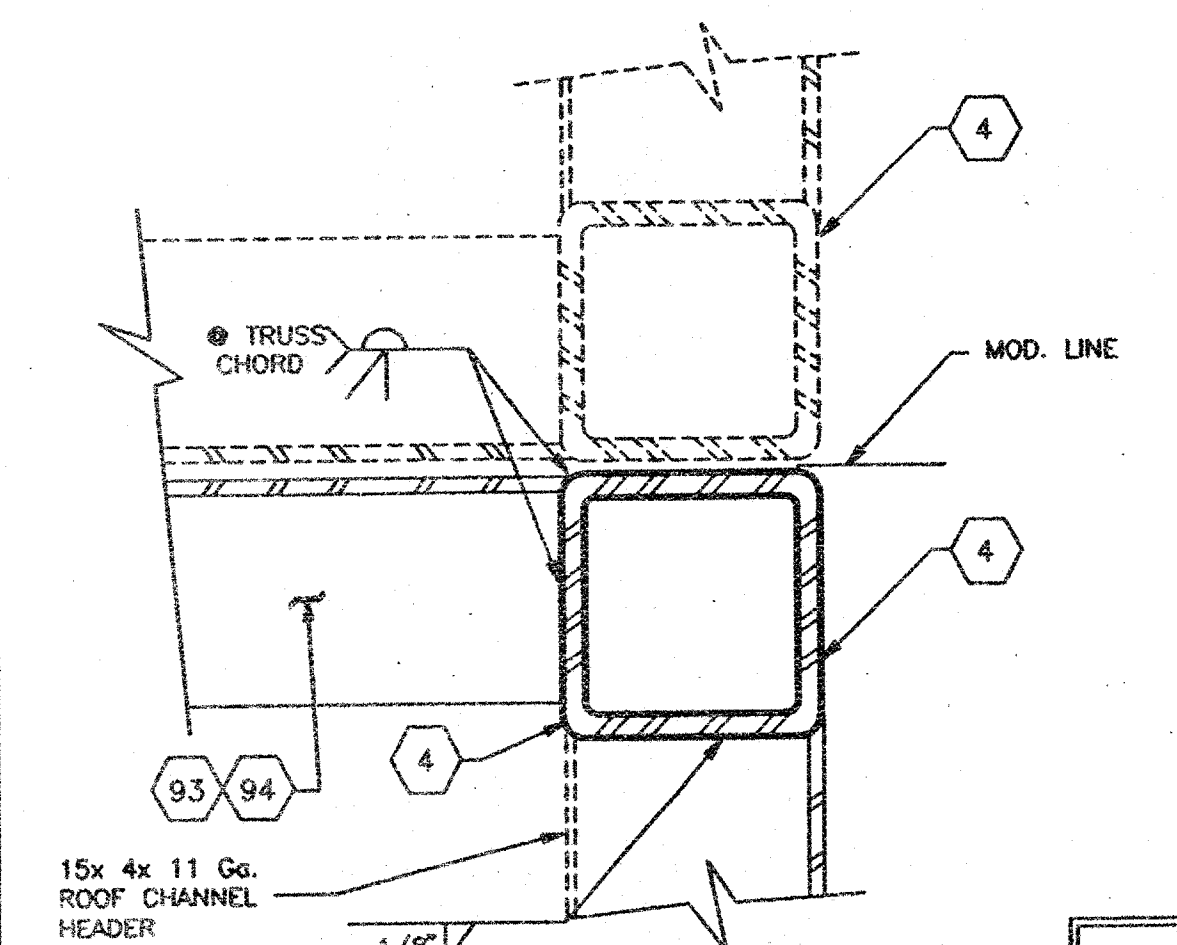
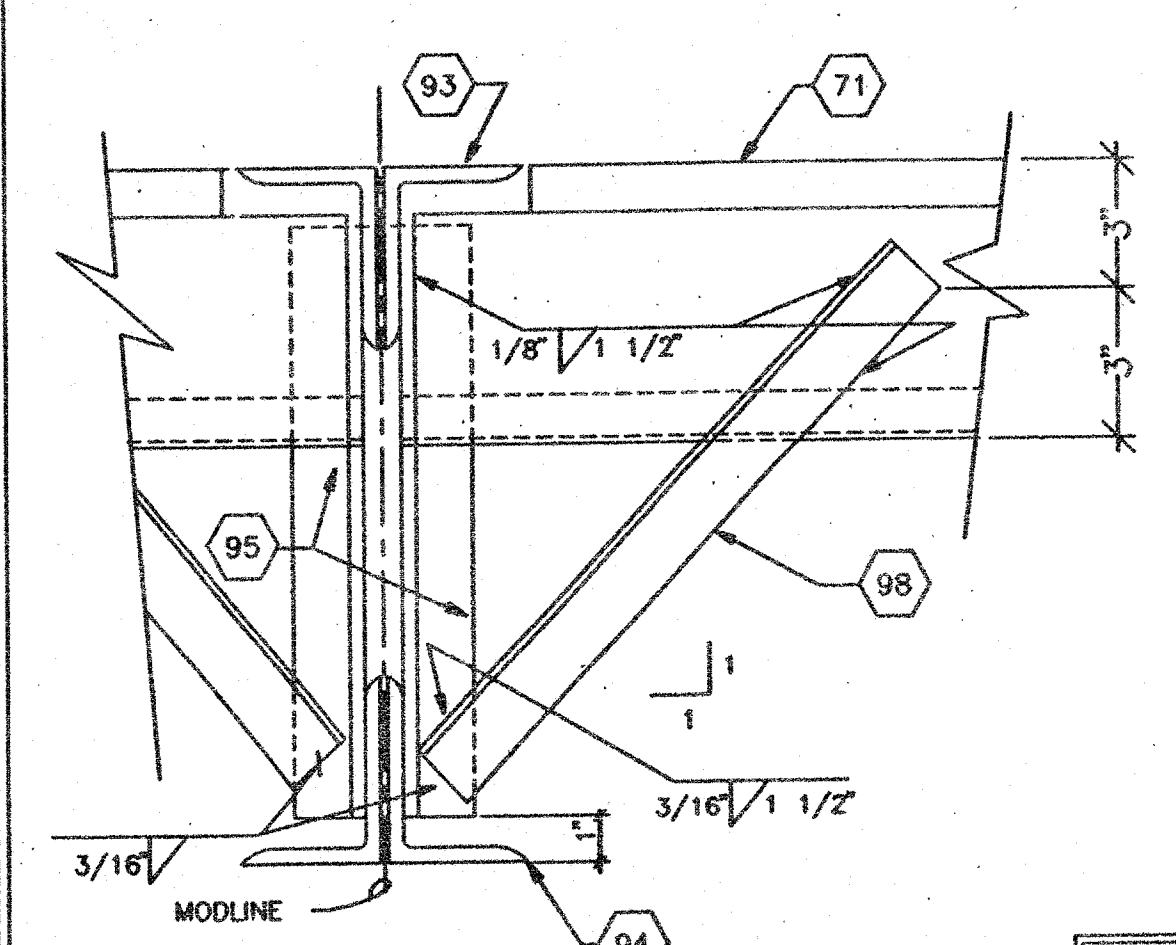
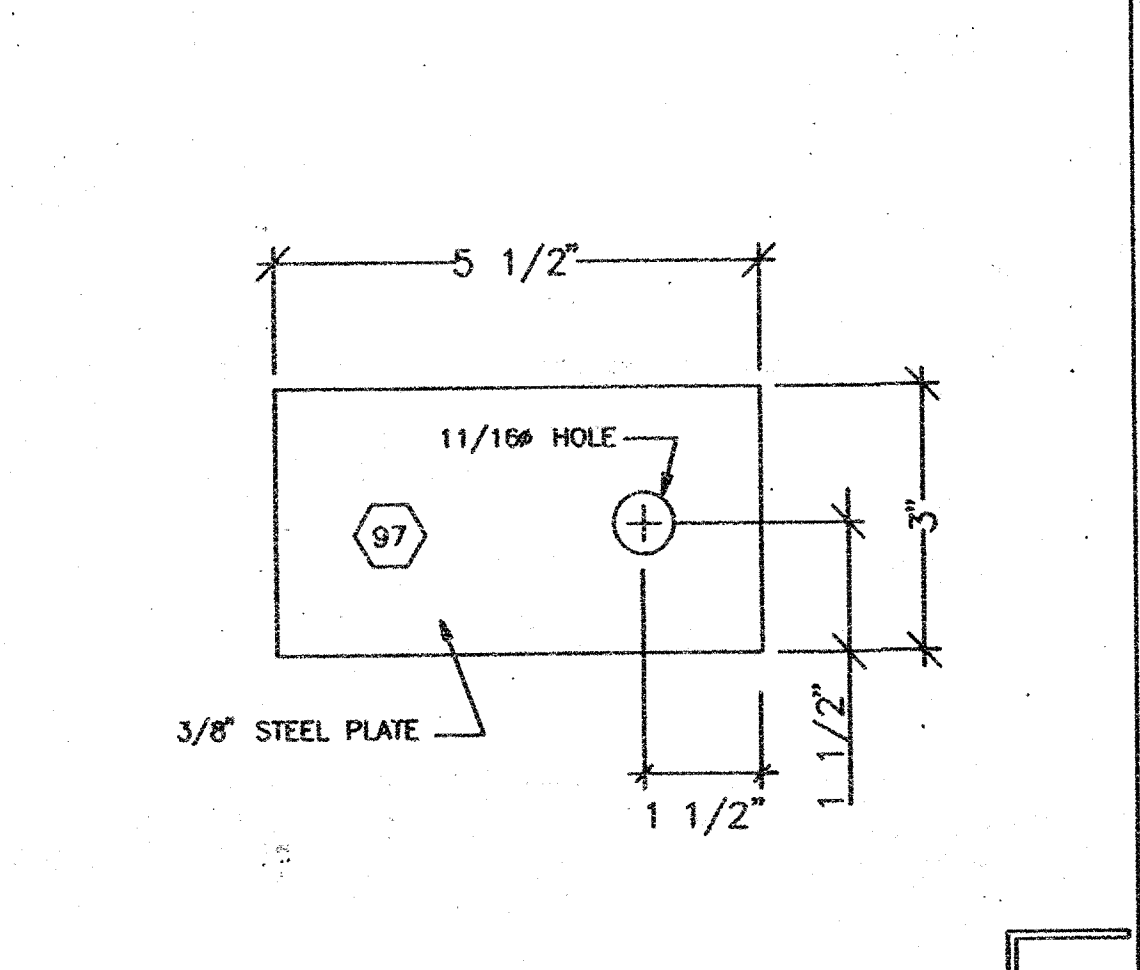
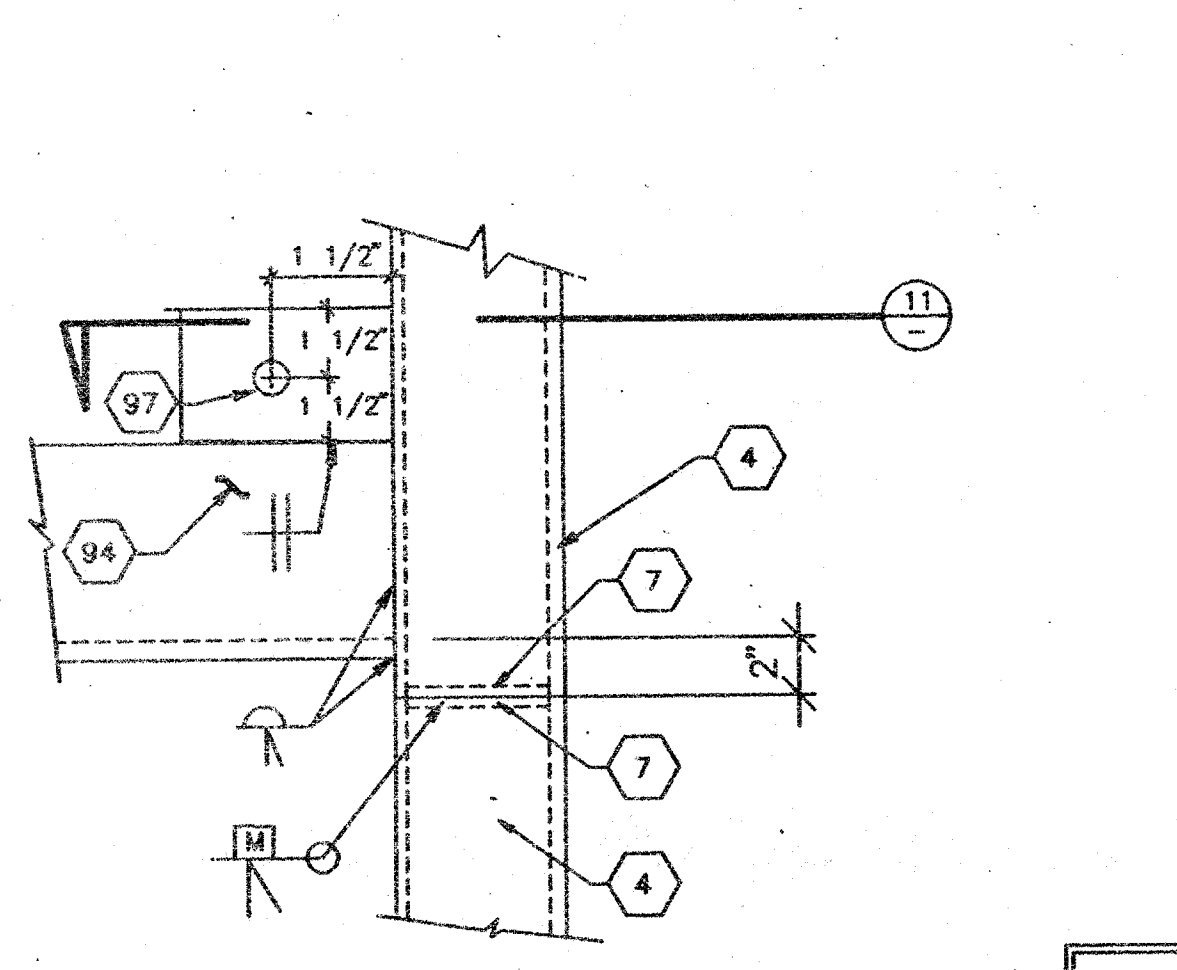
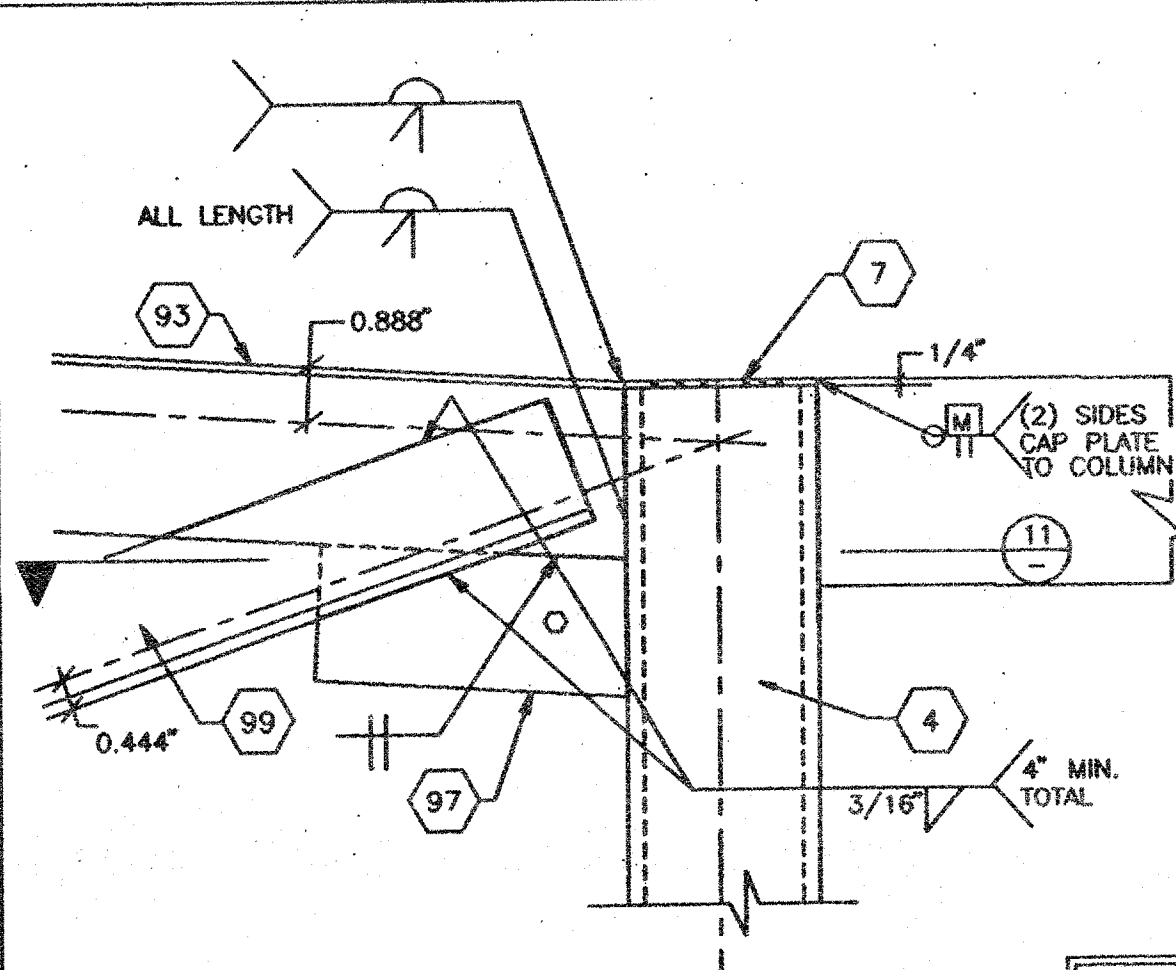
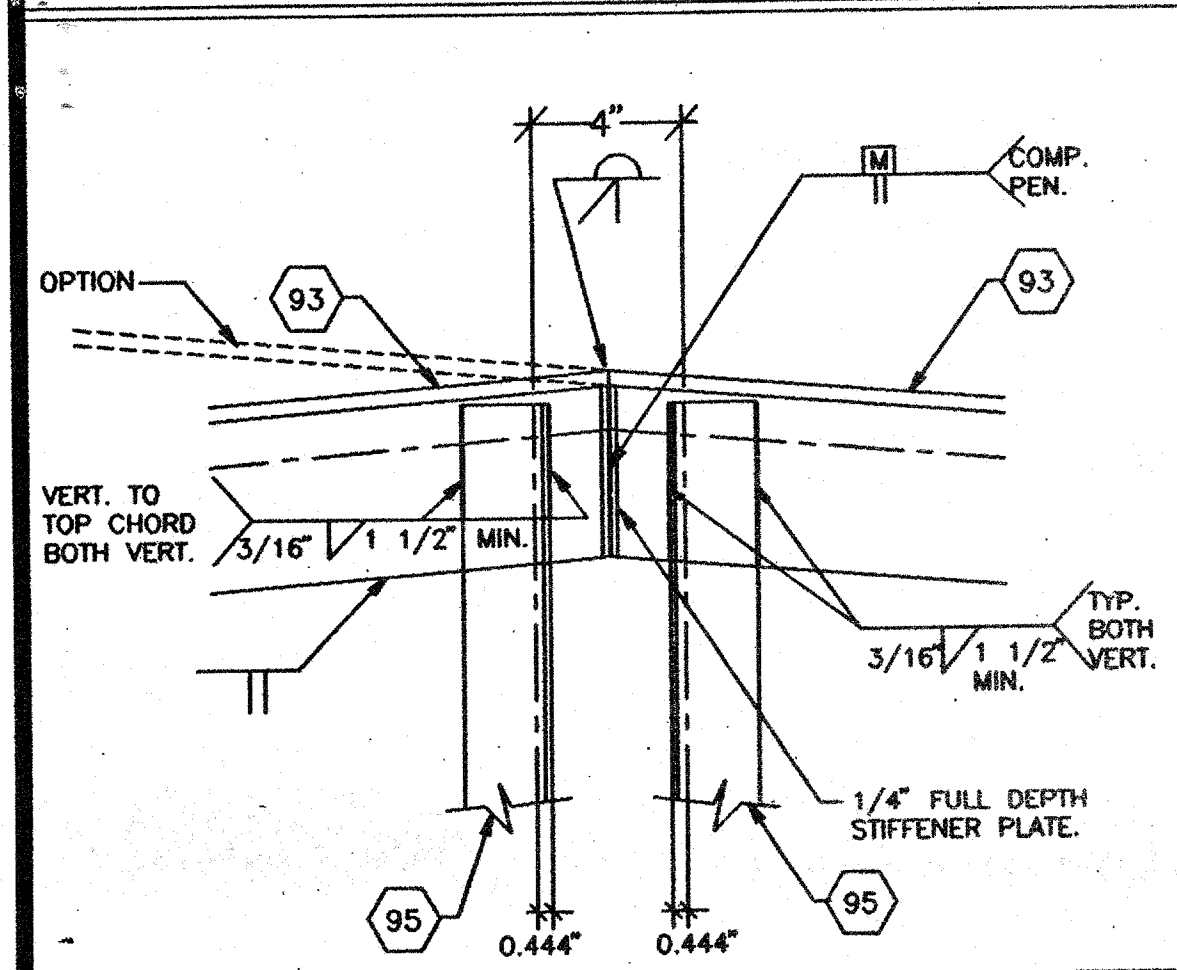
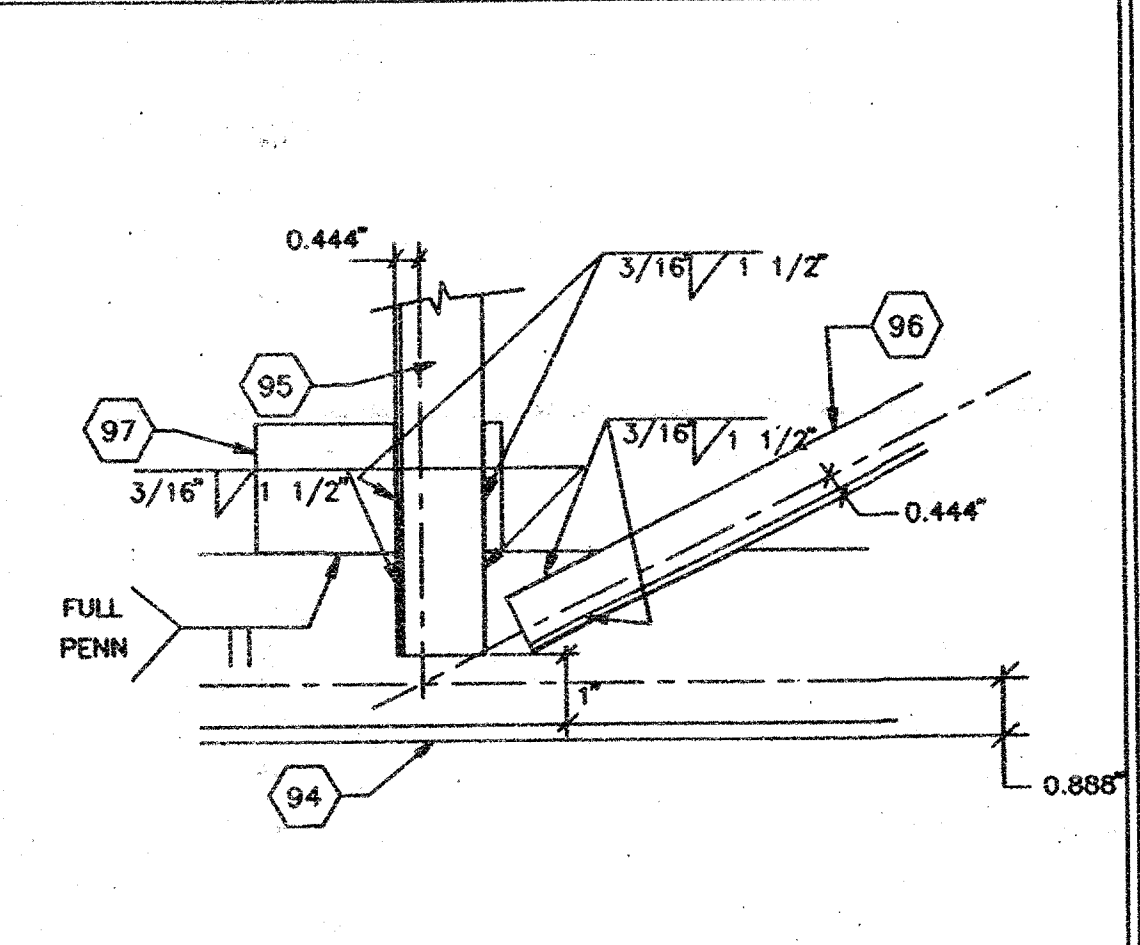
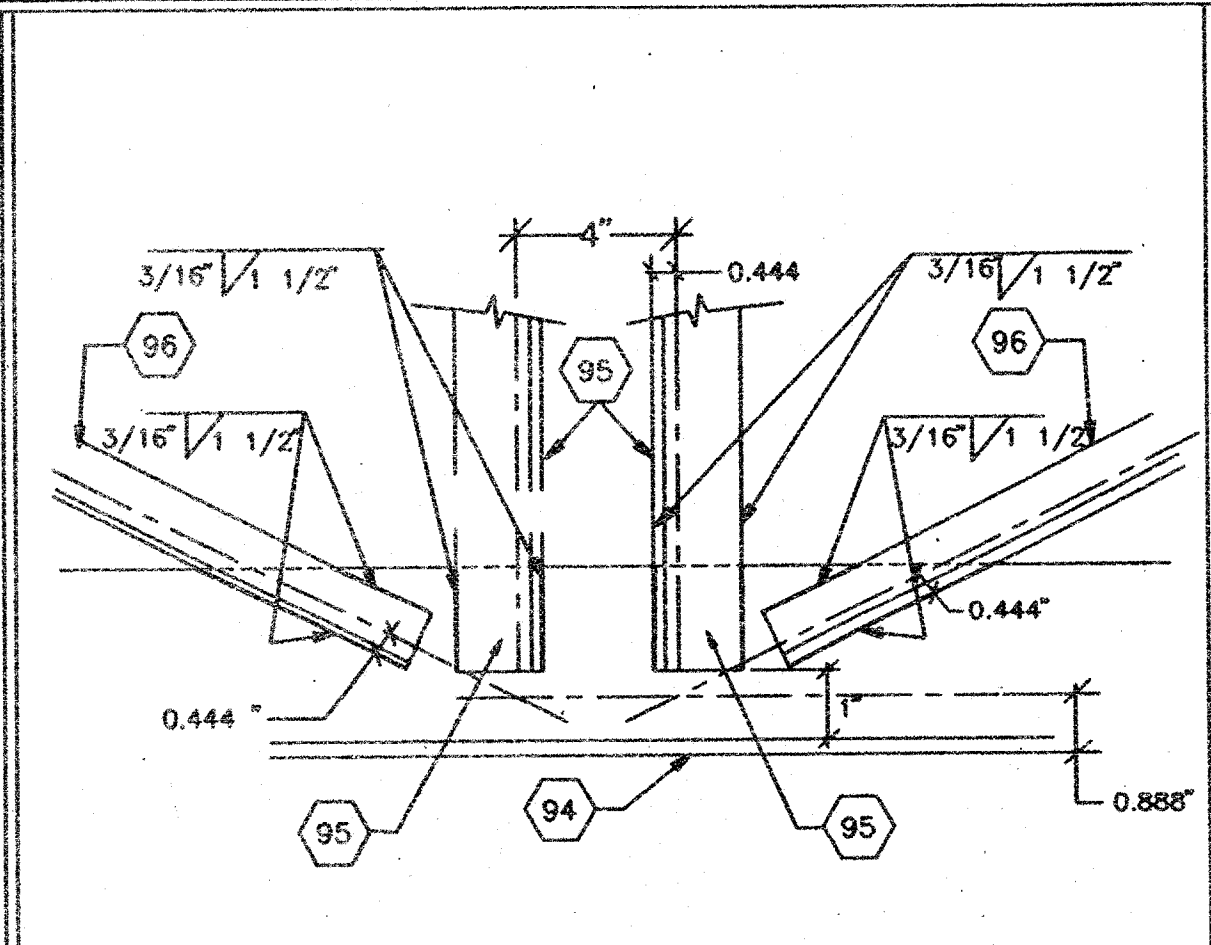
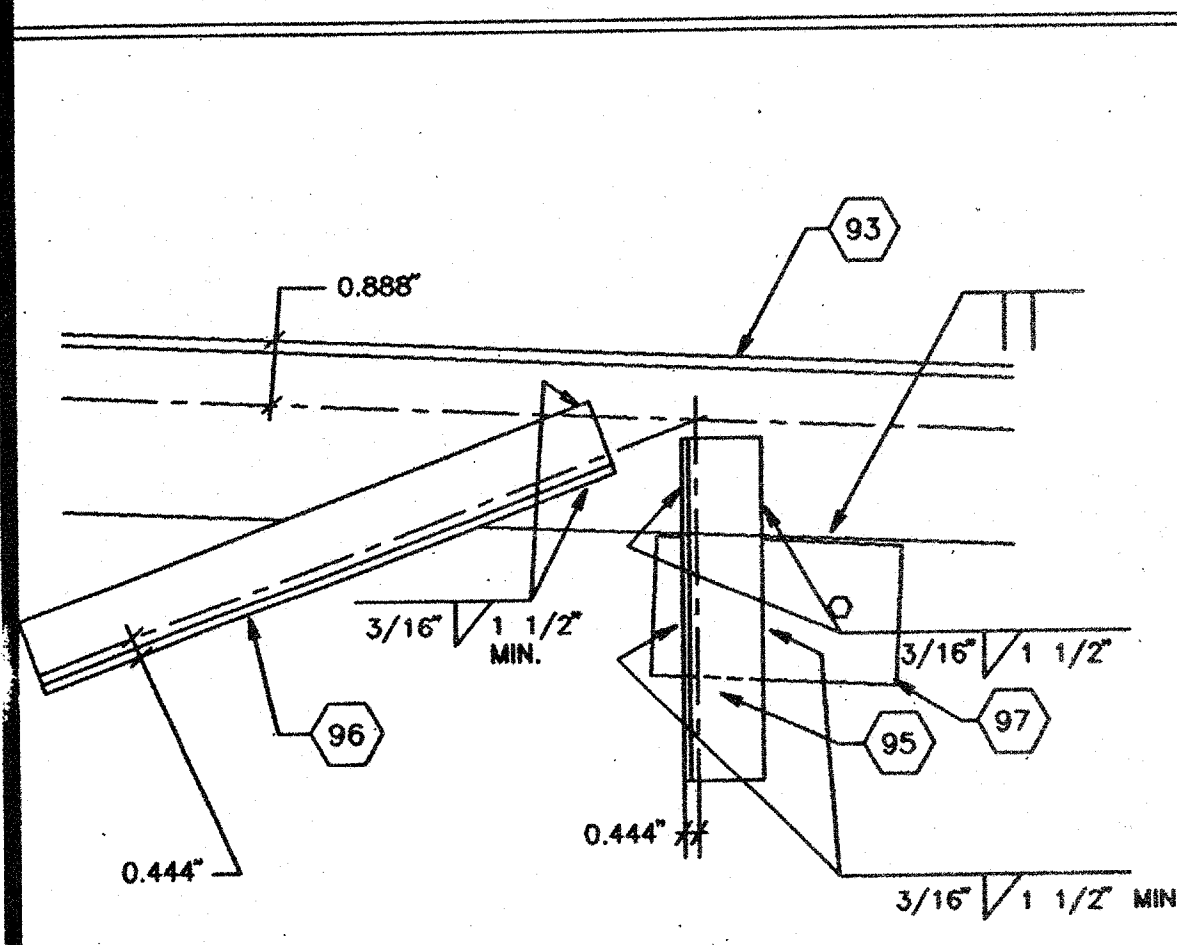


KEYNOTES

4. 3 1/2" x 3 1/2" x 1/4" STEEL TUBE
6. 5/8" MACHINE BOLT FOR MODULE CONNECTION
7. 1/4" CAP PLATE
71. ROOF JOIST
93. 4" x 3" x 3/8" TOP CHORD.
94. 3" x 3" x 3/8" 1/2" CHAMBER AT MIDPOINT FOR 20 PSF ROOF OR 4" x 3" x 3/8" 1/2" CHAMBER AT MIDPOINT FOR 30 PSF ROOF
95. 1 1/2" x 1 1/2" x 3/16" VERTICAL MEMBER
96. 1 1/2" x 1 1/2" x 3/16" DIAGONAL MEMBER TYP. (WITH 4" OF 3/16" FILLET WELD AT EA. END OF DIAGONAL & VERTICAL FOR 30 PSF ROOF, 3" OF FILLET WELD AT 20 PSF ROOF)
97. 3/8" x 3" x 5 1/2" PLATE WITH 11/16" HOLE FOR 5/8" MACHINE BOLT LOCATE PLATES @ 8'-0" O.C. FOR MODULE CONNECTION. SEE DETAIL 8.
98. 1 1/2" x 1 1/2" x 3/16" BRACE @ EVERY OTHER JOIST
99. 1 1/2" x 1 1/2" x 3/16" DIAGONAL (WITH 4" OF 3/16" FILLET WELD EACH END)

THIS DRAWING AND THE MATERIAL CONTAINED THEREIN ARE THE PROPERTY OF M.S.I. INC. AND SHALL NOT BE REPRODUCED, COPIED, EITHER WHOLLY OR IN PART, OR INDIRECTLY AND SHALL NOT BE USED IN ANY MANNER WITHOUT THE WRITTEN PERMISSION OF M.S.I. INC. FOR THE MAKING OF DRAWINGS, PRINTS, APPARATUS OR PARTS THEREOF WITHOUT THE FULL KNOWLEDGE AND APPROVAL OF M.S.I. INC. MATERIAL CONTAINED HEREIN AND ORIGINATING WITH M.S.I. INC. SHALL BE THE PROPERTY OF M.S.I. INC. M.S.I. INC. SHALL BE THE PROPERTY OF M.S.I. INC. M.S.I. INC. SHALL BE THE PROPERTY OF M.S.I. INC.

**MSI**  
 MODULAR STRUCTURES INTERNATIONAL, INC.  
 920 CITRUS AVE. RIVERSIDE, CALIFORNIA 92507  
 PHONE: (909) 788-3035 FAX: (909) 788-1523  
 PC-100073



STRUCTURAL ENGINEERS STAMP

STATE AGENCY APPROVAL

JOB #

DATE 1-9-97

DRAWN BY R.D.L.

SCALE NONE

APPROVED

REVISIONS

SHEET NO.

S-70-A

30# SNOW