

KEYNOTES

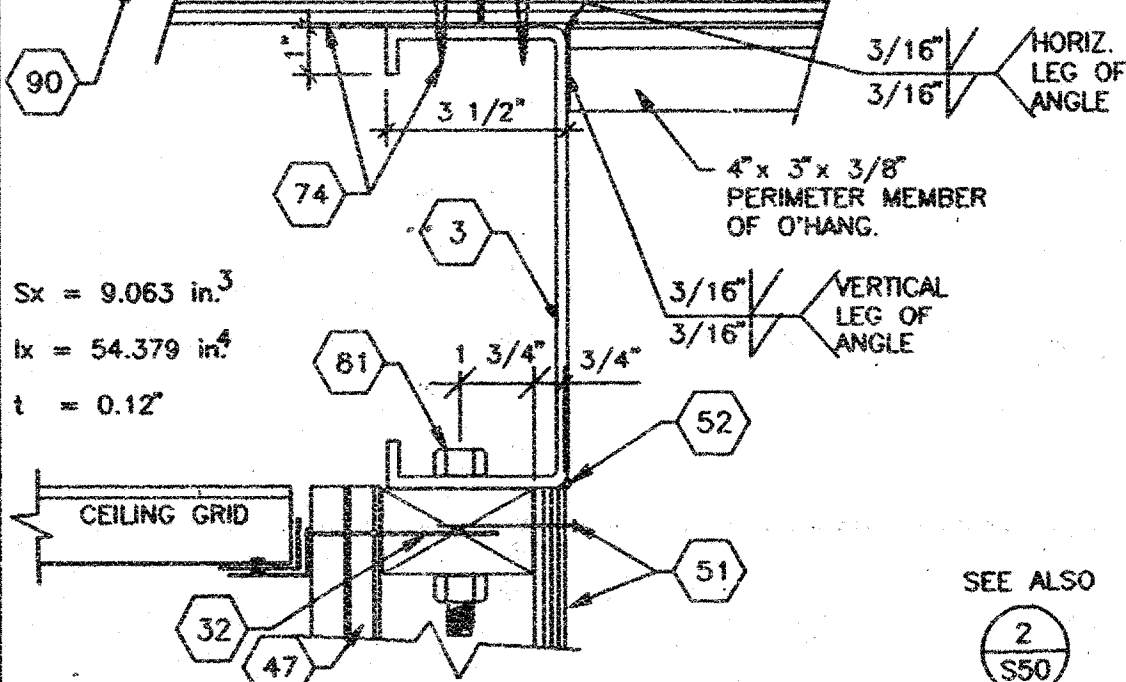
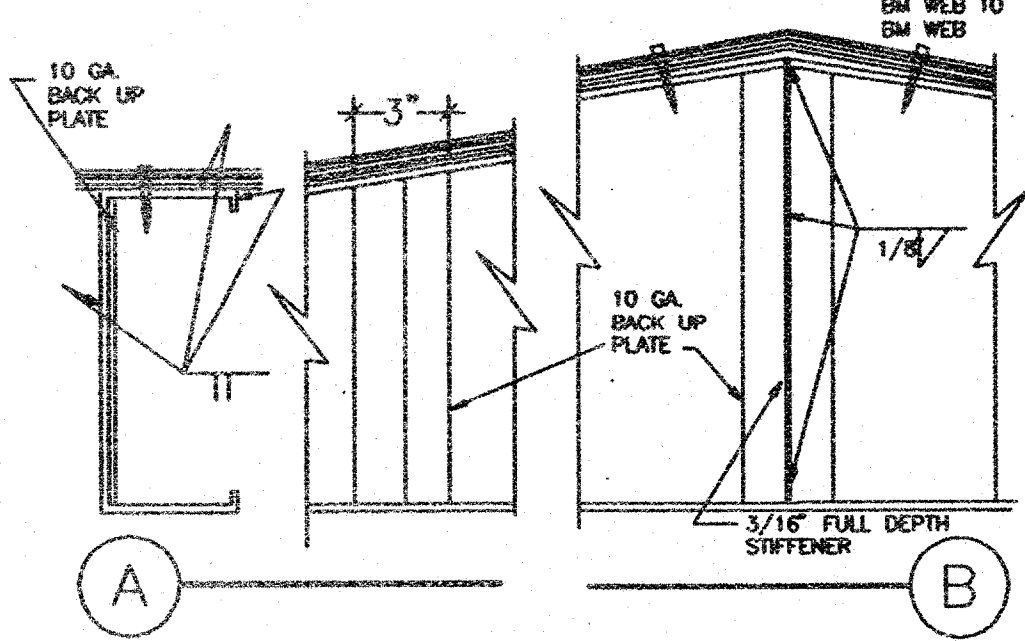
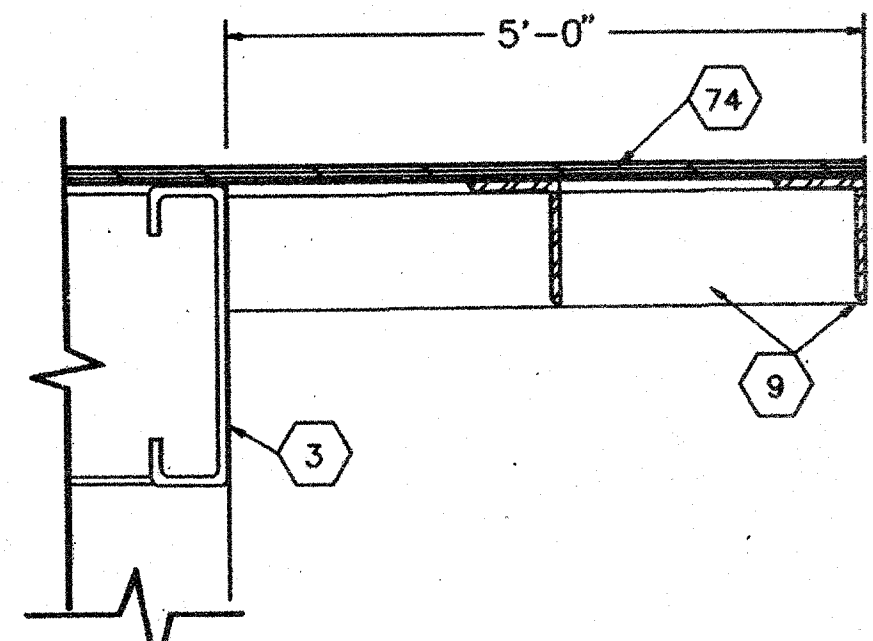
2. 10 GA. STEEL ROOF BEAM
3. 12 GA. STEEL ROOF HEADER
5. 3/16" FULL HEIGHT STIFFENER @ 4'-0" O.C. OR AT ROOF JOIST
6. 5/8" MACHINE BOLT @ MODULE CONNECTION
9. L 4"x 3"x 3/8" @ PERIM. OF ROOF OVERHANG, L 4"x 3"x 3/8" LLV AT 30 PSF SNOW.
32. 2 x 4 TOP PLATE OR BOTTOM PLATE
47. TYPICAL INTERIOR FINISH - SEE SHEET G-1
52. SEALANT
71. ROOF JOIST
74. ROOF SHEATHING - 3/4" C-D EXPOSURE 1. 48/24 SPAN RATING, PS 1-74, APA RATED OR EQUAL, SQUARE EDGE W/ PLYWOOD CLIPS @ 16" O.C. ON UNSUPPORTED EDGES; ATTACH TO STEEL FRAMING WITH #10 x 2" SELF TAP SCREWS OR .170 PIN @ 6" O.C. BOUNDARY & EDGES AND 6" O.C. FIELD WHERE JOIST ARE AT 48" O.C. AND 12" O.C. WHERE JOIST ARE AT 32" O.C.
81. 1/2" MACHINE BOLT @ 24" O.C. MIN. OR .170 PIN AT 16" O.C.
83. TYPICAL EXTERIOR FINISH - SEE SHEET G-1
84. FIBERGLASS BASE 12" WIDE. NAIL EDGES 12" O.C.
86. MINERAL SURFACE CAP SHEET 18" WIDE SET IN COLD PROCESS CEMENT, NAIL AS REQUIRED, SPOT COAT NAIL HEADS.
87. CONTINUOUS WOOD CANT STRIP. EXTEND ROOFING TO TOP OF CANT STRIP.
90. ROOFING MATERIAL 26 GAGE, 30 GAGE OR BUILD UP ROOF
91. GALVANIZED 26 GAGE METAL FLASHING.

16 2' OVERHANG

11 METAL ROOF @ CORNER

6 ROOF JOIST DETAILS

1 ROOF AT SIDEWALL

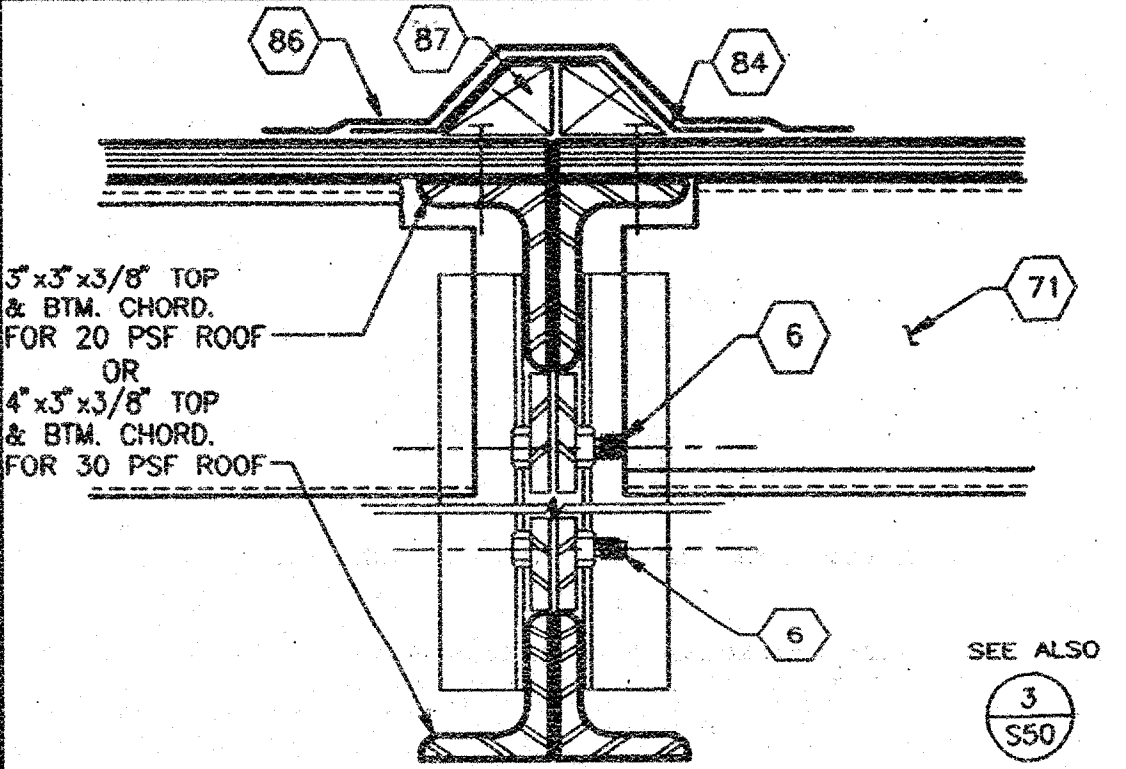
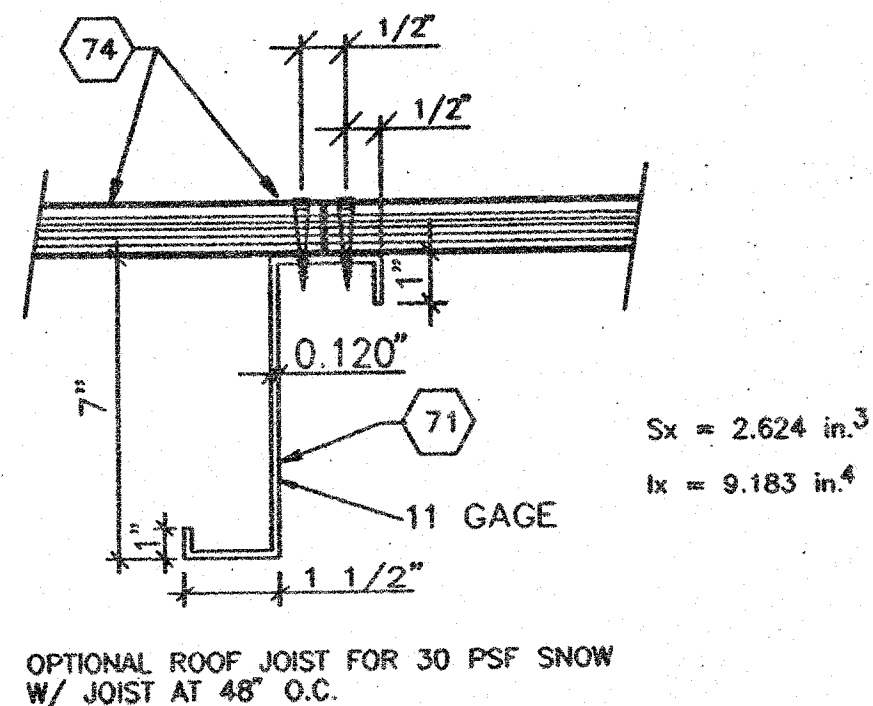
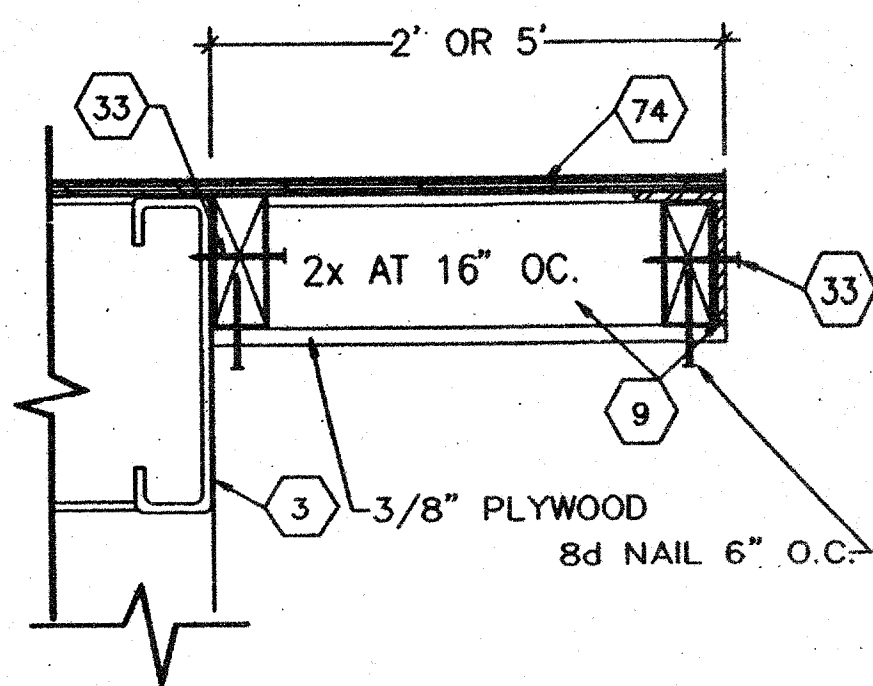


17 5' OVERHANG

12

7 PLYWOOD ROOF AT BEAM

2 ROOF AT ENDWALL

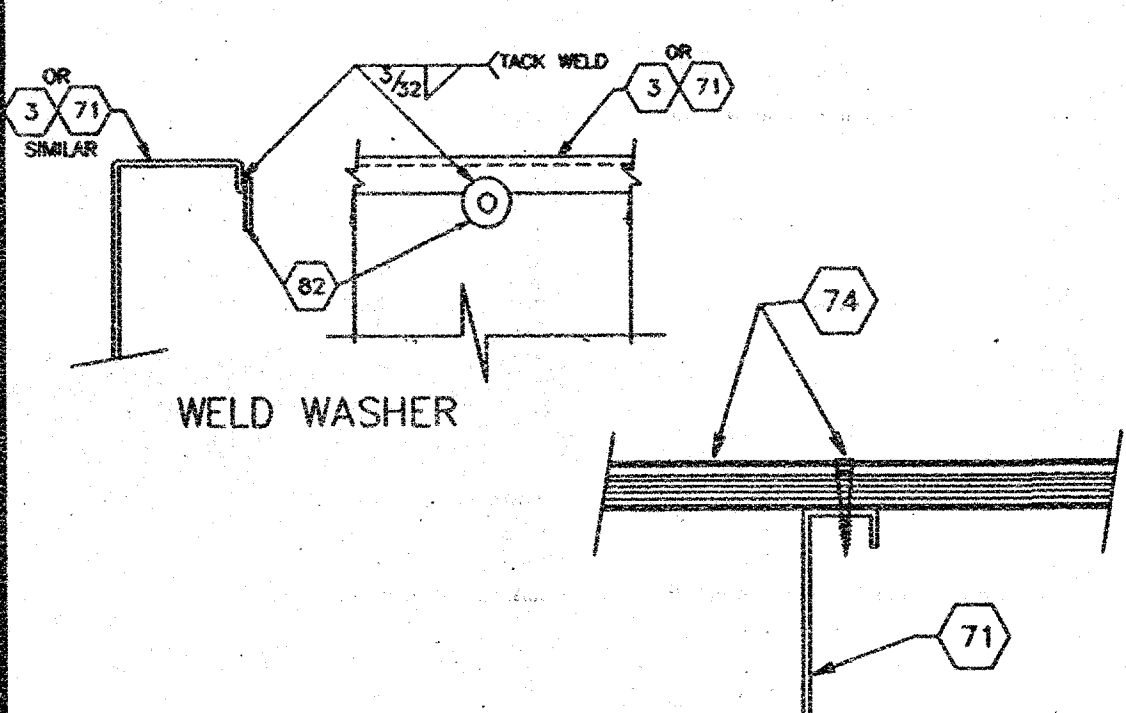
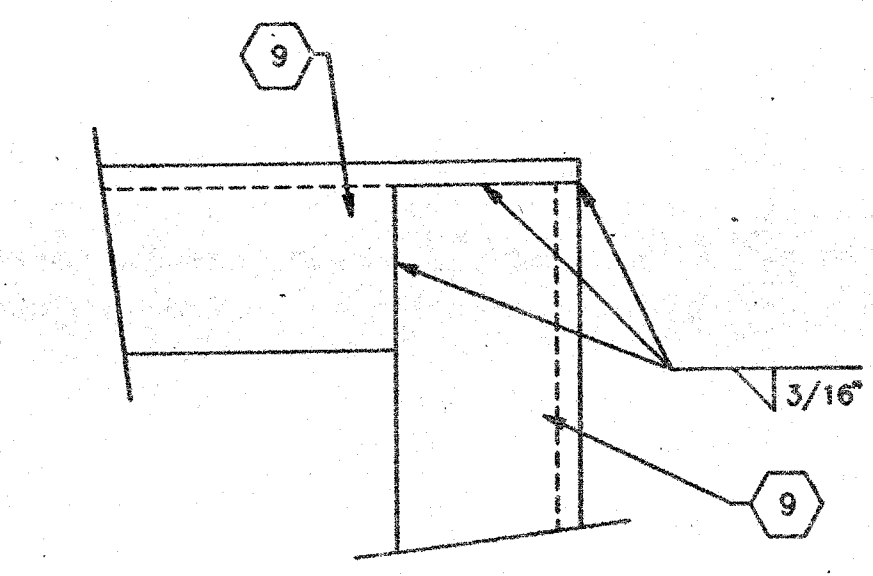


18 2' OR 5' OVERHANG OPTIONAL

13 ROOF JOIST (EDGE COND.)

8

3 MOD. CONN. AT ROOF

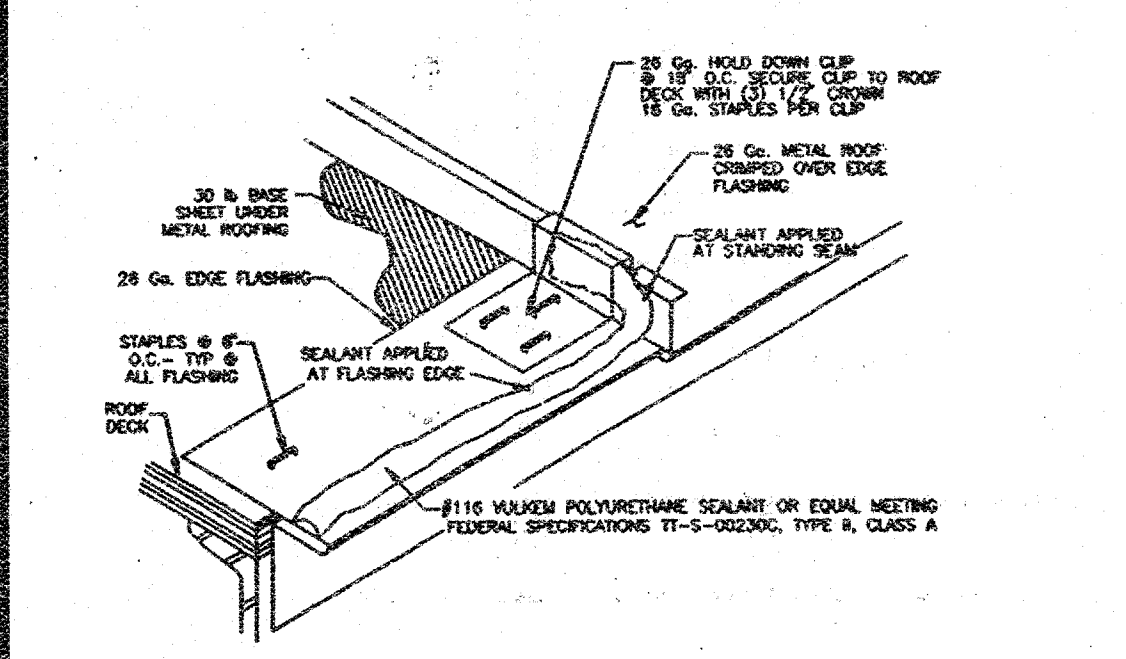
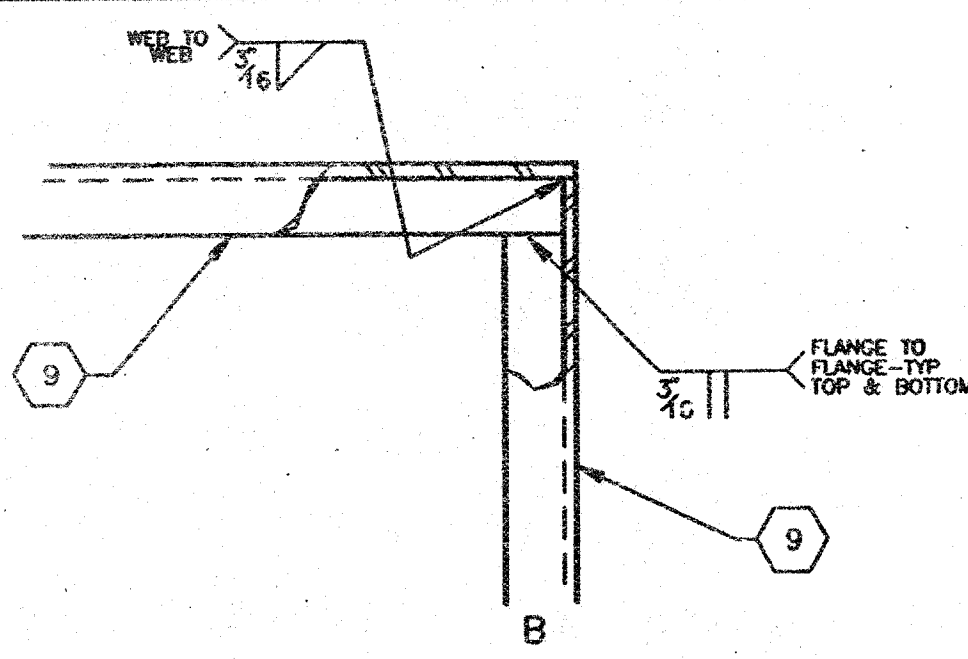
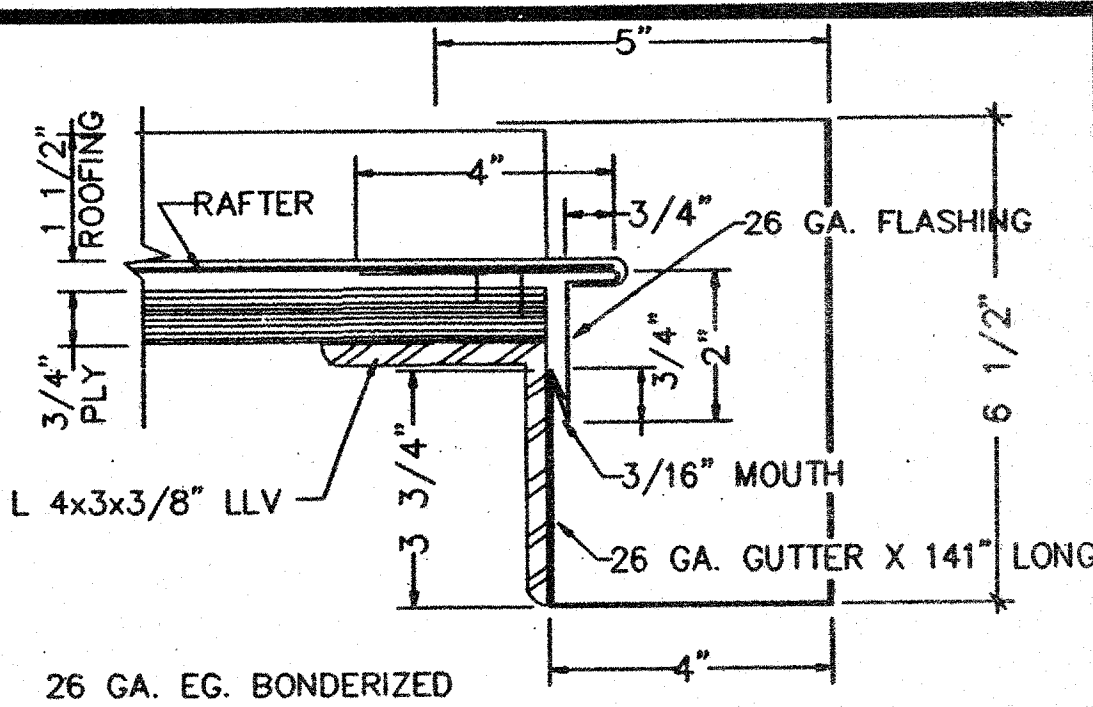


19

14 CORNER @ OVERHANG

9

4 ROOF JOIST (FIELD COND.)

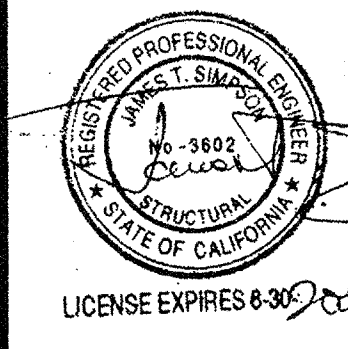


20 FASCIA

15

10 ANGLE TO ANGLE

5 METAL ROOF @ PERIMETER



AGENCY TRACKING NO. 63321-154  
 FILE NO. 15-6  
 IDENTIFICATION STAMP  
 DIV. OF THE STATE ARCHITECT  
 OFFICE OF REGULATION SERVICES  
 03-117035  
 AC / FS / SS  
 DATE 5/28/2016

IDENTIFICATION STAMP  
 DIV. OF THE STATE ARCHITECT  
 OFFICE OF REGULATION SERVICES  
 4 100118  
 AC / FS / SS  
 DATE JAN 13 1998

IDENTIFICATION STAMP  
 DIV. OF THE STATE ARCHITECT  
 OFFICE OF REGULATION SERVICES  
 PC-100073  
 AC / FS / SS  
 DATE JAN 13 1998

ARCHITECT APPROVAL  
 STRUCTURAL ENGINEERS STAMP

STATE AGENCY APPROVAL

PROJECT

24'x40', 36'x40', & 48'x40'  
 MODULAR CLASSROOM BUILDING

TITLE

ROOF CONSTRUCTION DETAILS

DATE

1-9-98

DRAWN BY

R.D.L.

SCALE

NONE

APPROVED

REVISIONS

STATE AGENCY APPROVAL

SHEET NO.

S-62