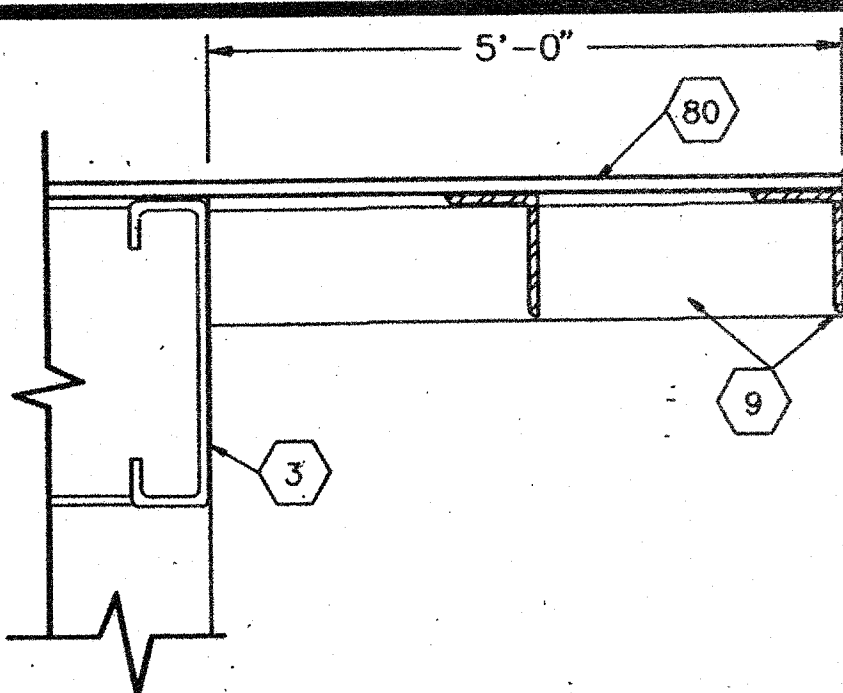
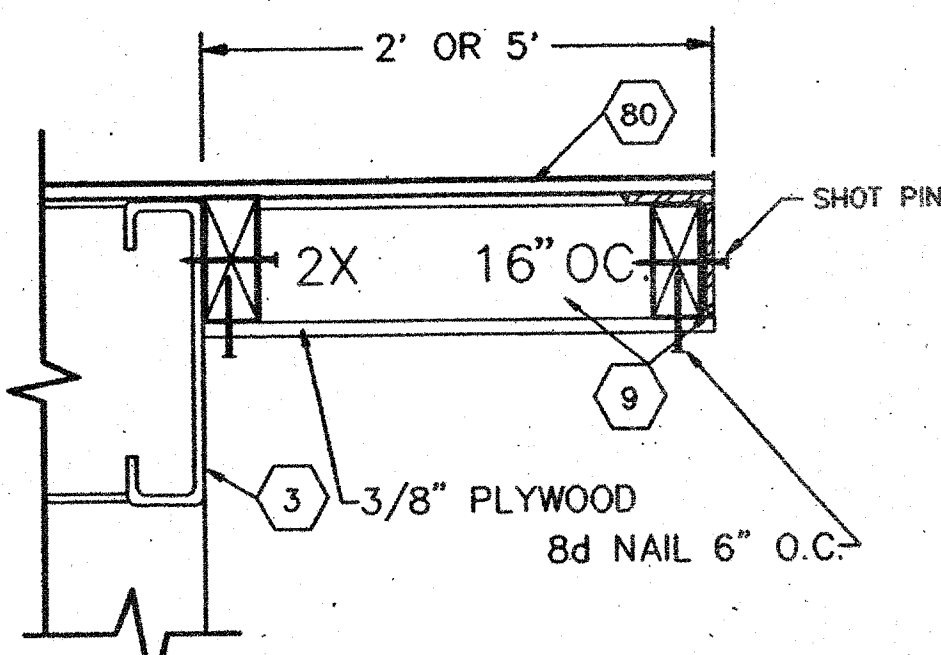


16 2' OVERHANG

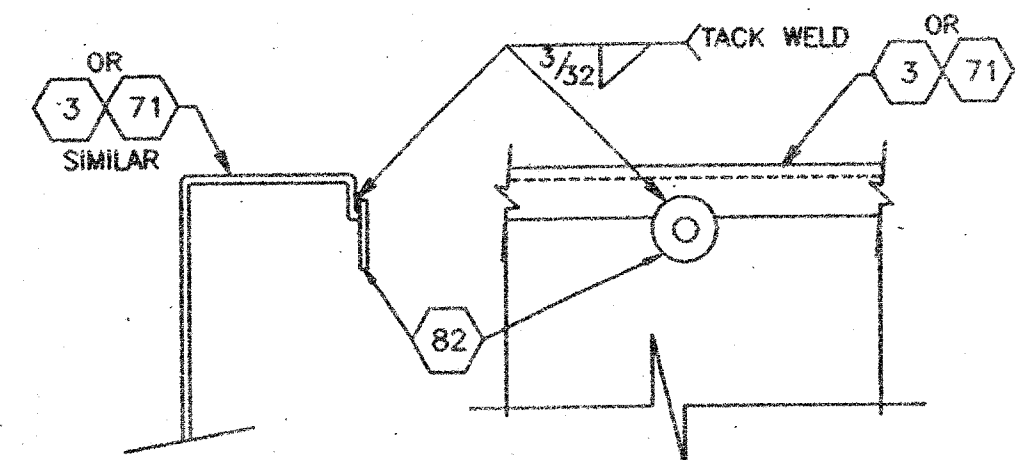


17 5' OVERHANG

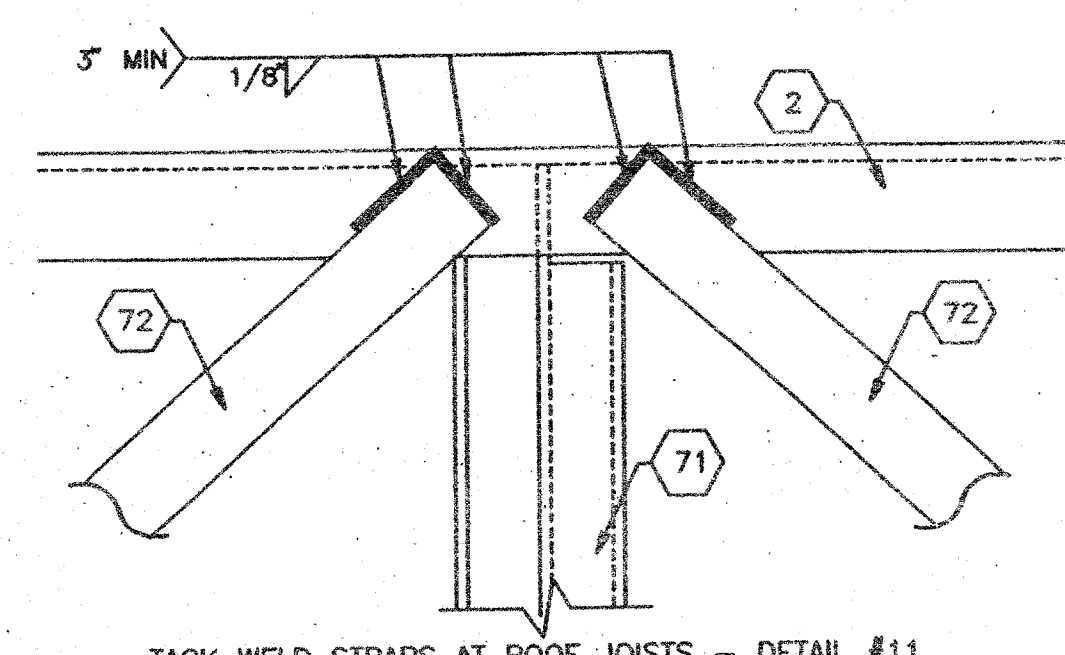


18 2' OR 5' OVERHANG OPTIONAL SOFFIT

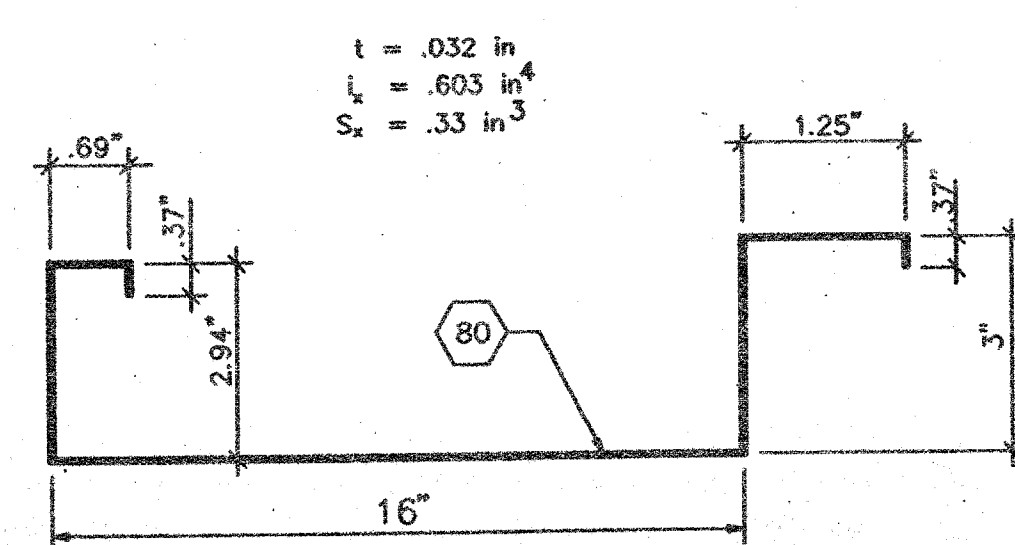
11



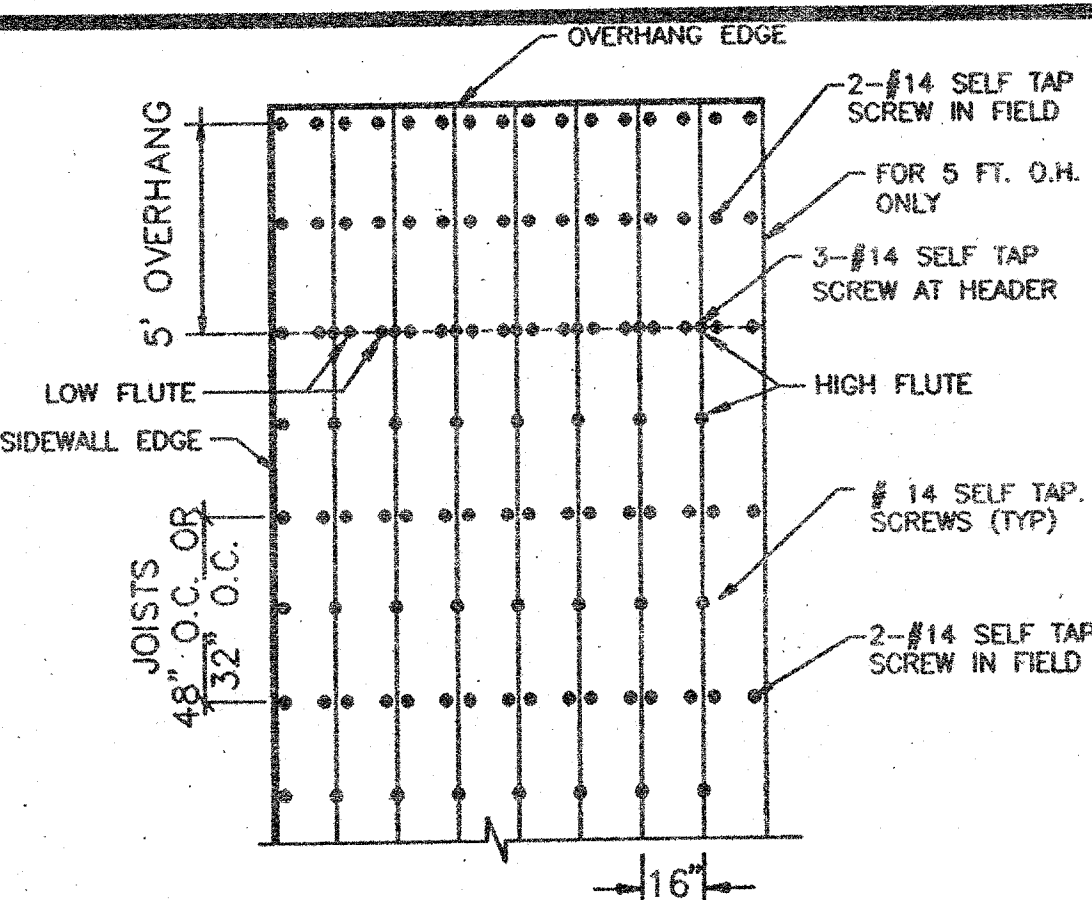
12 WELD WASHER



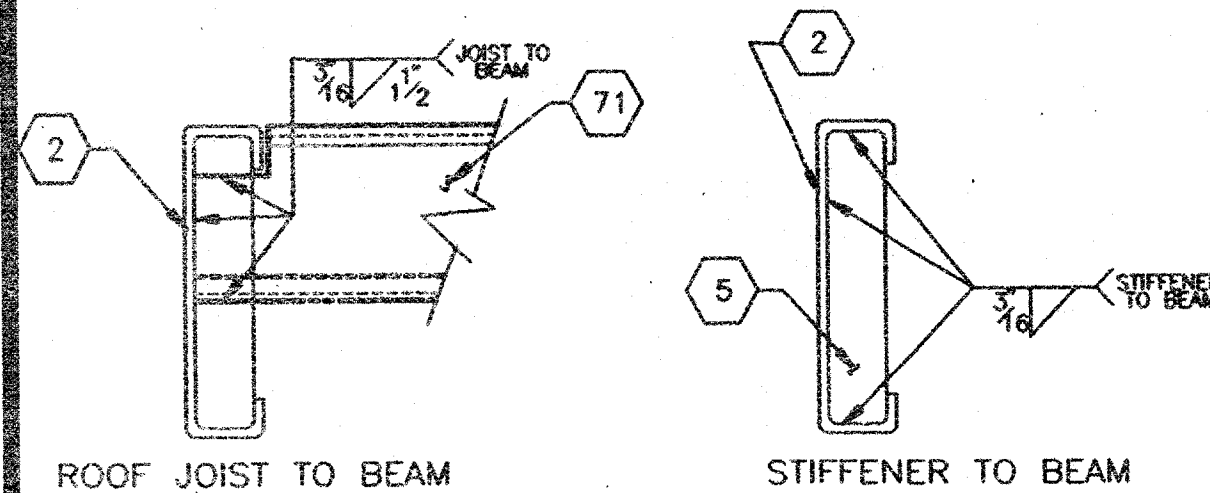
13 20 Ga. STRAP @ RF. BEAM



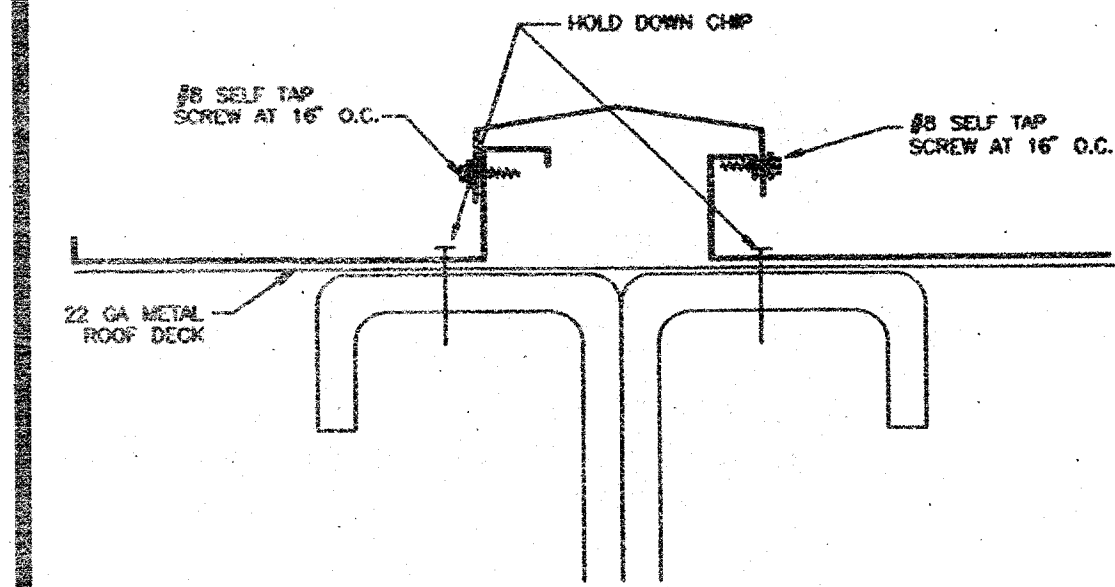
14 ROOF PANEL SECTION



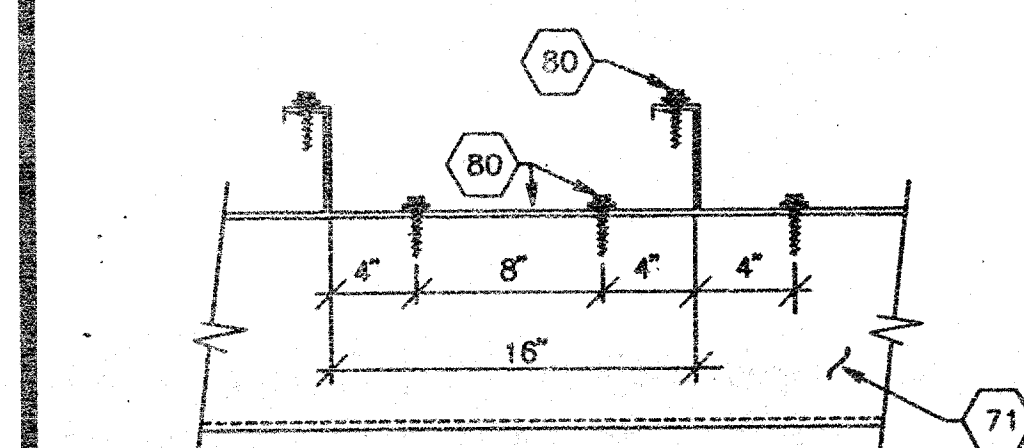
15 TYPICAL ROOF FASTENING



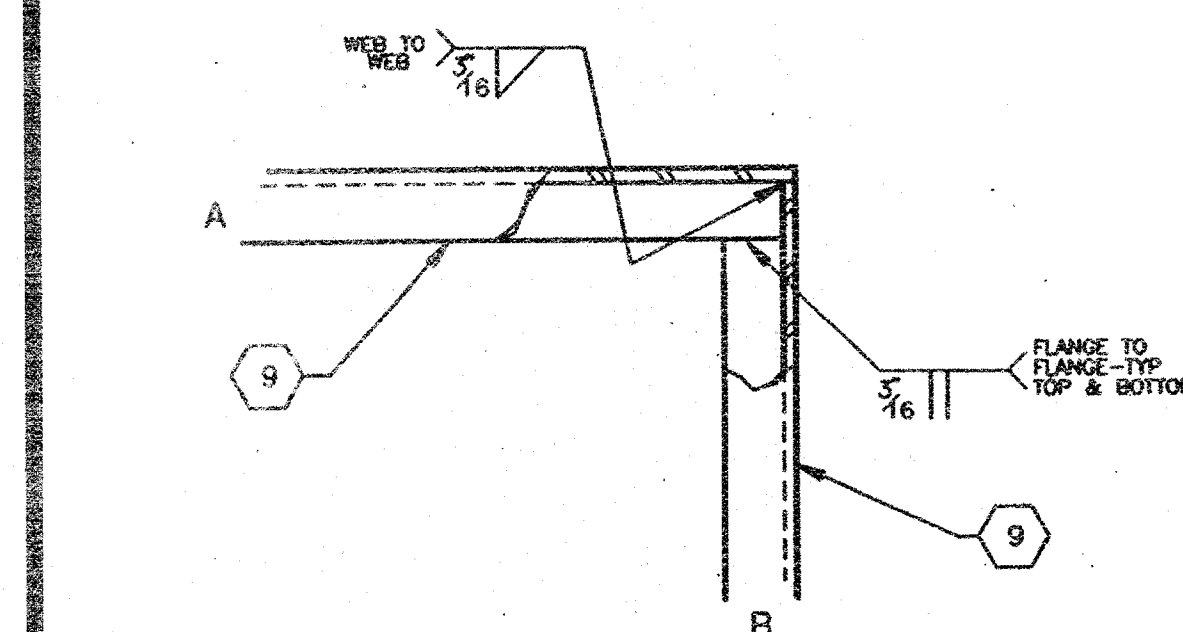
6 ROOF JOIST DETAILS



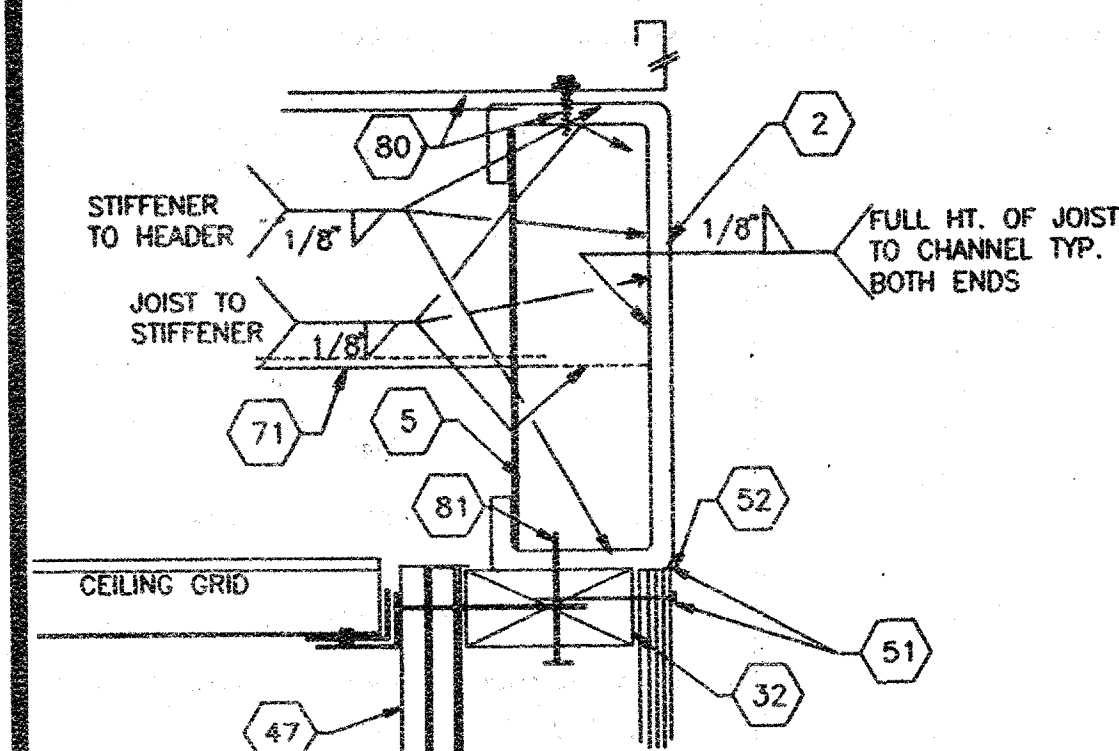
8 METAL ROOF @ MOD LINE



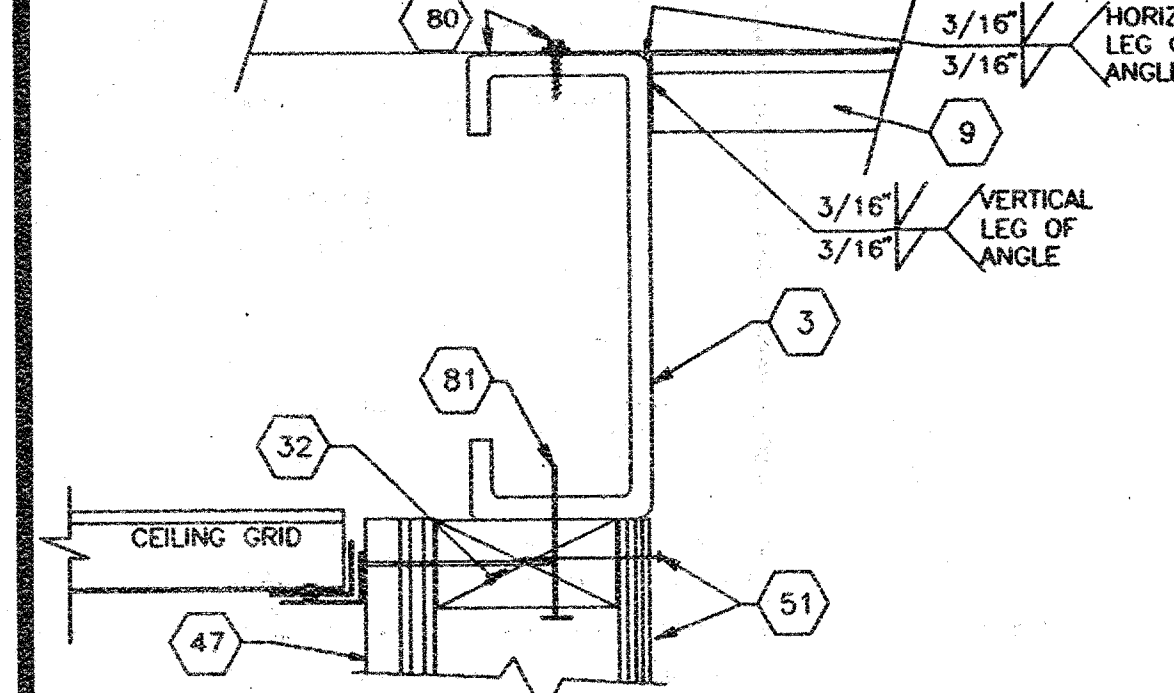
9 METAL ROOF AT JOIST



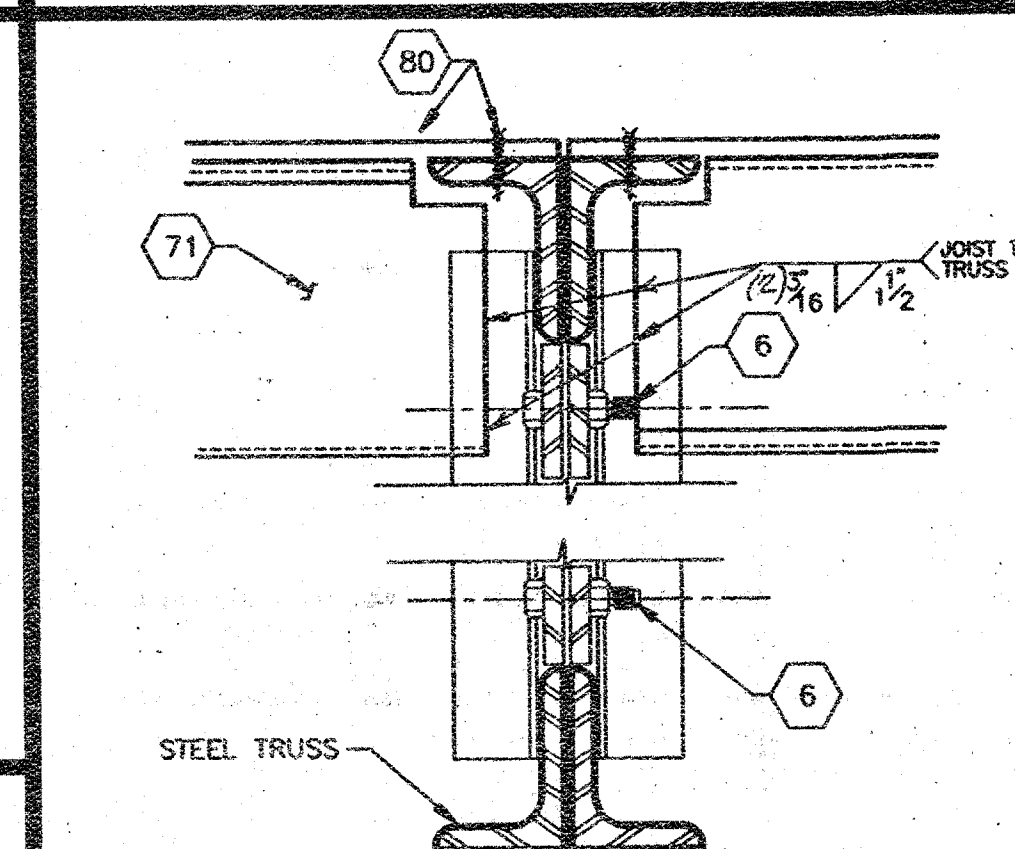
10 ANGLE TO ANGLE @ O.H.



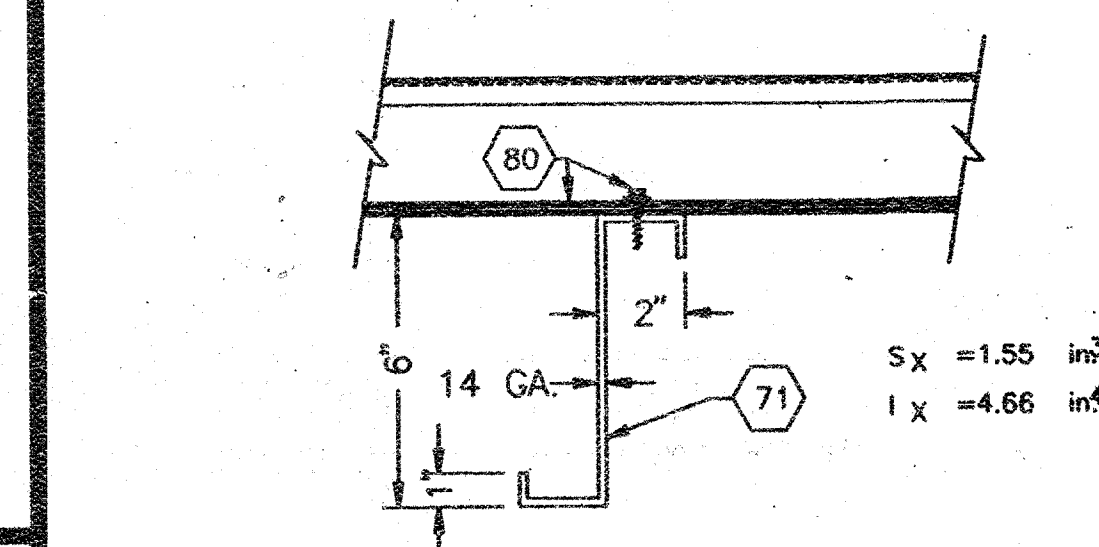
1 ROOF AT SIDEWALL



2 ROOF AT ENDWALL



3 MOD. LINE @ ROOF



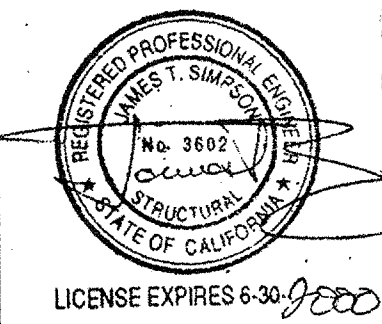
4 ROOF JOIST

5

KEYNOTES

2. 10 GA. CHANNEL STEEL ROOF BEAM
3. 12 GA. CHANNEL STEEL ROOF HEADER
4. 3 1/2" x 3 1/2" x 3/16" TUBE STEEL COLUMN
5. 3/16" FULL HEIGHT STIFFENER @ 4'-0" O.C. OR AT ROOF JOIST
6. 5/8" MACHINE BOLT @ MODULE CONNECTION AT 8 FT. O.C..
9. 4 x 3 x 3/8 PERIMETER ROOF OVERHANG, USE 4 x 3 x 3/8 LLV OUTRIGGER BEAM AT 30 PSF SNOW
32. 2 x 4 TOP PLATE
47. TYPICAL INTERIOR FINISH - SEE SHEET G-1
51. TYPICAL EXTERIOR FINISH - SEE SHEET G-1
52. SEALANT
71. ROOF JOIST AT 48" O.C. FOR 20 PSF ROOF AND 32" O.C. FOR 30 PSF ROOF. SEE S-40 FOR ADDITIONAL INFO.
72. 2" x 20 Ga. STRAPS W/ 3" MIN. OF 1/8" FILLET WELD EA. END TO ROOF BEAM/HEADER TYPICAL.
80. STEEL ROOF DECK - 22 Ga. ROLL FORMED 2 1/2" STANDING SEAM ROOF DECK. USE #14 SELF TAP SCREWS @ 12" O.C. AT ROOF JOIST ((2) PER PANEL), AND #14 SELF TAP SCREWS @ 4" O.C. AT HEADERS ((3) PER PANEL) AND 24" O.C. @ OUTSIDE EDGE, ((1) #14 STS @ 4'-0" O.C. AT STANDING SEAM BETWEEN JOIST. ALL INSTALLATION PER APPROVED AND LISTED MANUFACTURER'S INSTALLATION.
81. 0.170" SHOT PIN @ 18" O.C. OR 3/8" BOLT 24" O.C. MIN.
82. WELD WASHER - 1-3/8" x 3/32" WITH 9/16" HOLE. WELD TO UPPER CHANNEL FLANGE.

THIS DRAWING AND THE MATERIAL CONTAINED THEREIN ARE THE PROPERTY OF M.S.I. INC. AND SHALL NOT BE REPRODUCED OR TRANSMITTED IN ANY FORM OR BY ANY MEANS, ELECTRONIC OR MECHANICAL, INCLUDING PHOTOCOPYING, RECORDING, OR BY ANY INFORMATION STORAGE AND RETRIEVAL SYSTEM, WITHOUT THE WRITTEN CONSENT OF M.S.I. INC. M.S.I. INC. SHALL BE THE PROPERTY OF M.S.I. INC. MATERIAL CONTAINED HEREIN IS THE PROPERTY OF M.S.I. INC.



STATE AGENCY APPROVAL

AGENCY TRACKING NO. 63321-154
 FILE NO. 15-6
 IDENTIFICATION STAMP
 DIV. OF THE STATE ARCHITECT
 OFFICE OF REGULATION SERVICES
 03-117 03-5
 AC FLS SS
 DATE 01/23/2016

STATE AGENCY APPROVAL
 IDENTIFICATION STAMP
 OFFICE OF REGULATION SERVICES
 4 100118
 AC FLS SS
 DATE JAN 15 1998

STATE AGENCY APPROVAL
 IDENTIFICATION STAMP
 OFFICE OF REGULATION SERVICES
 100073
 AC FLS SS
 DATE JAN 15 1998

ARCHITECT APPROVAL

STRUCTURAL ENGINEERS STAMP

STATE AGENCY APPROVAL

AGENCY TRACKING NO. 63321-154
 FILE NO. 15-6
 IDENTIFICATION STAMP
 DIV. OF THE STATE ARCHITECT
 OFFICE OF REGULATION SERVICES
 03-117 03-5
 AC FLS SS
 DATE 01/23/2016

STATE AGENCY APPROVAL
 IDENTIFICATION STAMP
 OFFICE OF REGULATION SERVICES
 4 100118
 AC FLS SS
 DATE JAN 15 1998

STATE AGENCY APPROVAL
 IDENTIFICATION STAMP
 OFFICE OF REGULATION SERVICES
 100073
 AC FLS SS
 DATE JAN 15 1998

MSI
 MODULAR STRUCTURES INTERNATIONAL, INC.
 920 CITRUS AVE. RIVERSIDE, CALIFORNIA 92507
 PHONE: (909) 788-3035 FAX: (909) 788-1523
 PC-100073

PROJECT
 24'X40', 36'X40', & 48'X40'
 MODULAR CLASSROOM BUILDING
 TITLE
 ROOF CONSTRUCTION DETAILS FOR
 'C' CHANNEL AND 22 GA. METAL ROOF

JOB #
 DATE 1-9-98
 DRAWN BY R.D.L.
 SCALE NONE
 APPROVED
 REVISIONS
 SHEET NO.
 S-50