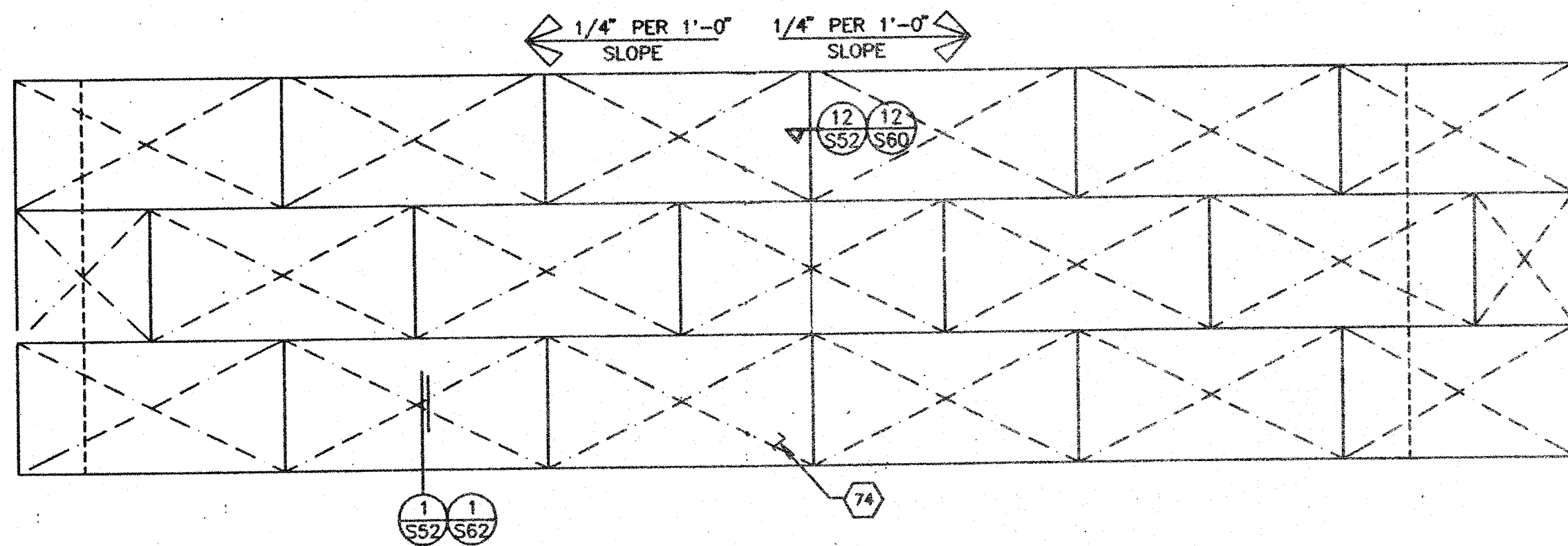
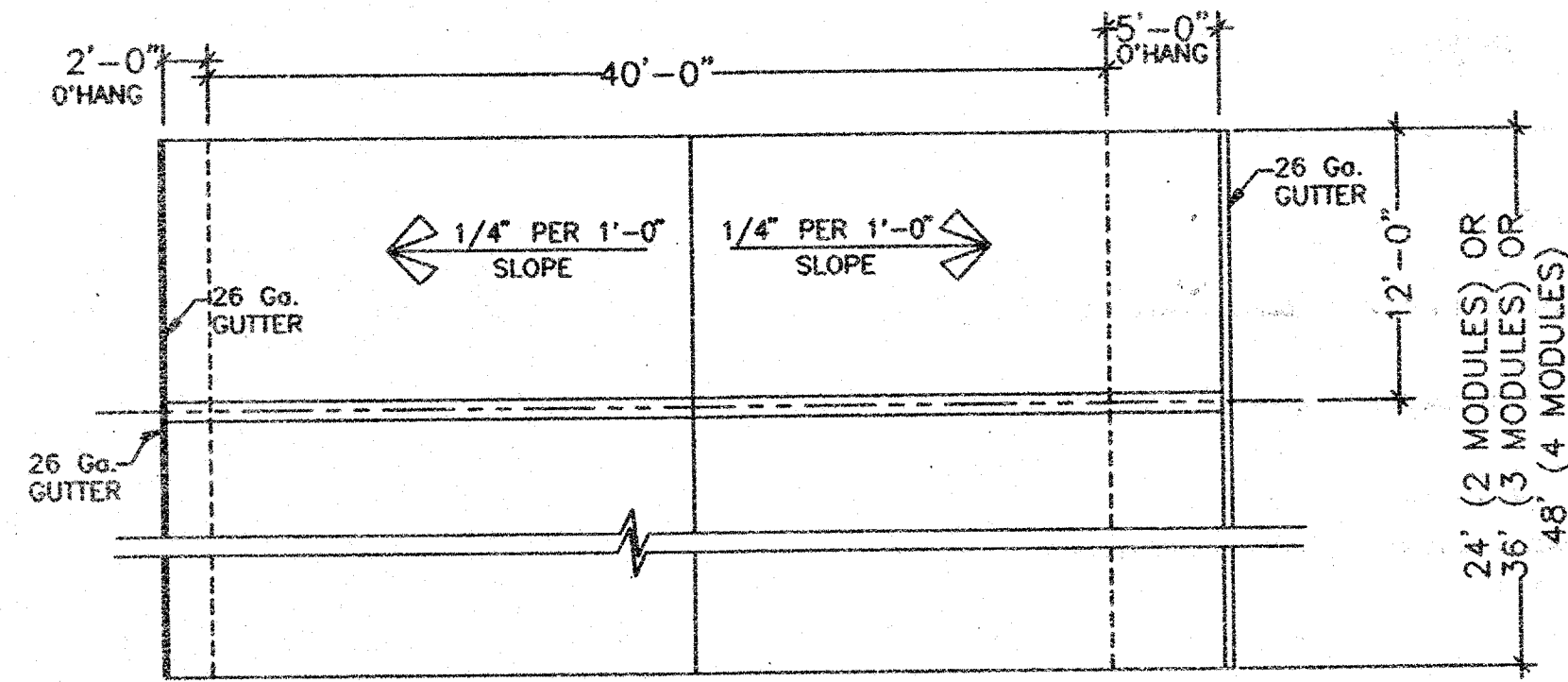


INSULATION @ ROOF



PLYWOOD DECKING LAYOUT
DUAL PITCH SLOPE SHOWN



DOUBLE SLOPE ROOF PLAN

KEYNOTES

2. [18" x 18-23 x 3 1/2" x 10 Ga.
3. [18" x 3 1/2 x 12 Ga. RFC STEEL ROOF HEADER.
71. 1 6" x 14 Ga. STEEL ROOF JOIST @ 48" O.C. FOR 20 PSF ROOF LL AND 32 O.C. FOR 30 PSF ROOF LL OR 1 7" x 1 1/2" x 11 GA. FOR 30 PSF ROOF LL W/ JOIST AT 48" O.C.
72. 2" x 20 Ga. STRAPS W/ 3" MIN. 1/8" FILLET WELD EACH END TO ROOF BEAM/HEADER TYP.
73. 1 1/2" x 1 1/2" x 3/16" BRACE
74. ROOF SHEATHING- 3/4" C-D EXPOSURE 1, 48/24 SPAN RATING, PS 1-83, APA RATED OR EQUAL, SQUARE EDGE W/ PLYWOOD CLIPS @ 16" O.C. LONG EDGES ON UNSUPPORTED EDGES; ATTACH TO STEEL FRAMING WITH #10-24 X 1 3/4" SELF TAP SCREWS @ 6" O.C. BOUNDARY & EDGES AND 6" O.C. FIELD WHERE JOIST ARE AT 48" O.C. AND 12" O.C. WHERE JOIST ARE AT 32" O.C.
75. 22 GAGE GALVANIZED METAL ROOFING. SEE SHEET S-50 & S-60
76. 16/21/16 STEEL TRUSS. SEE SHEET S-70
77. NYLON NETTING FOR INSULATION SUPPORT OR EQUAL.

THIS DRAWING AND THE MATERIAL CONTAINED THEREIN ARE THE PROPERTY OF M.S.I. INC. AND SHALL NOT BE REPRODUCED OR TRANSMITTED IN ANY FORM OR BY ANY MEANS, ELECTRONIC OR MECHANICAL, INCLUDING PHOTOCOPYING, RECORDING, OR BY ANY INFORMATION STORAGE AND RETRIEVAL SYSTEM, WITHOUT THE WRITTEN CONSENT OF M.S.I. INC. MATERIAL CONTAINED HEREIN IS THE PROPERTY OF M.S.I. INC. M.S.I. INC. SHALL BE THE PROPERTY OF M.S.I. INC. M.S.I. INC. SHALL BE THE PROPERTY OF M.S.I. INC.

ARCHITECT APPROVAL

STRUCTURAL ENGINEERS STAMP

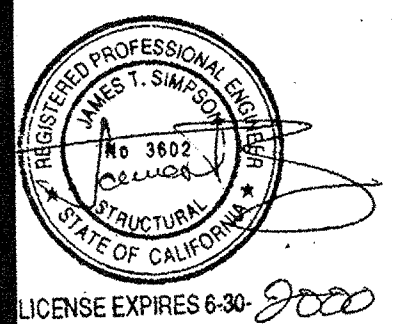
STATE AGENCY APPROVAL

PROJECT

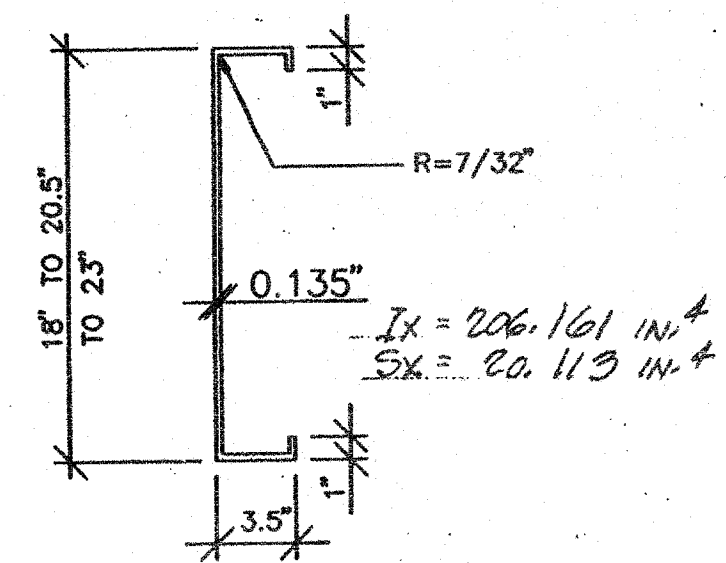
24'X40', 36'X40' & 48'X40' MODULAR CLASSROOM BUILDING

TITLE

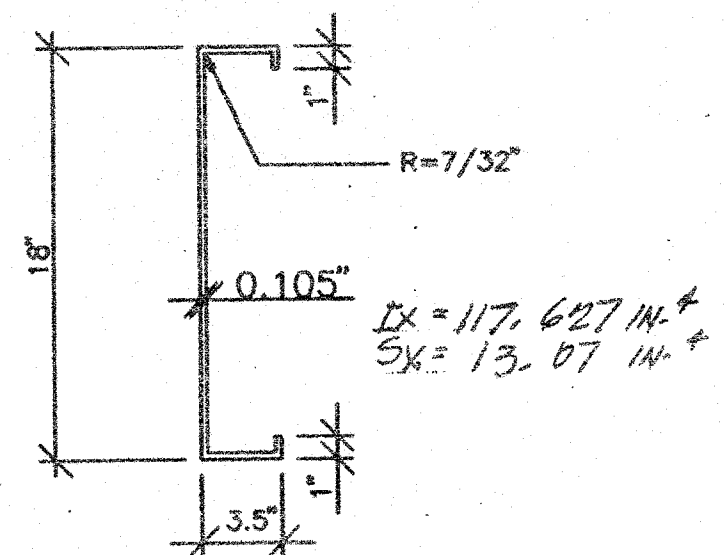
GENERAL ROOF CONSTRUCTION LAYOUT



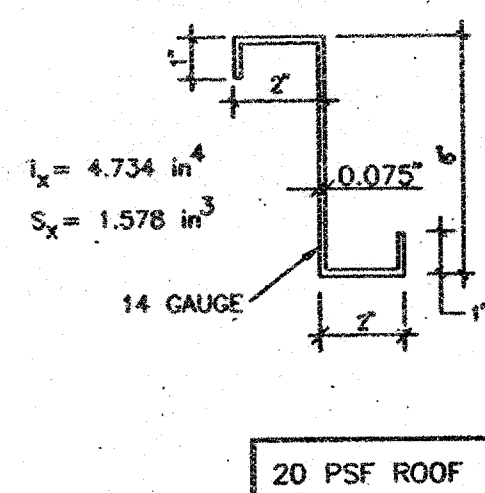
2 18" x 3 1/2" x 10 GA. CHANNEL (BEAM)



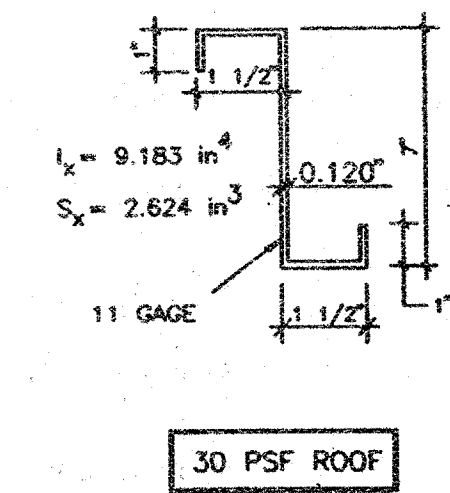
3 18" x 3 1/2" x 12 GA. CHANNEL (HDR)



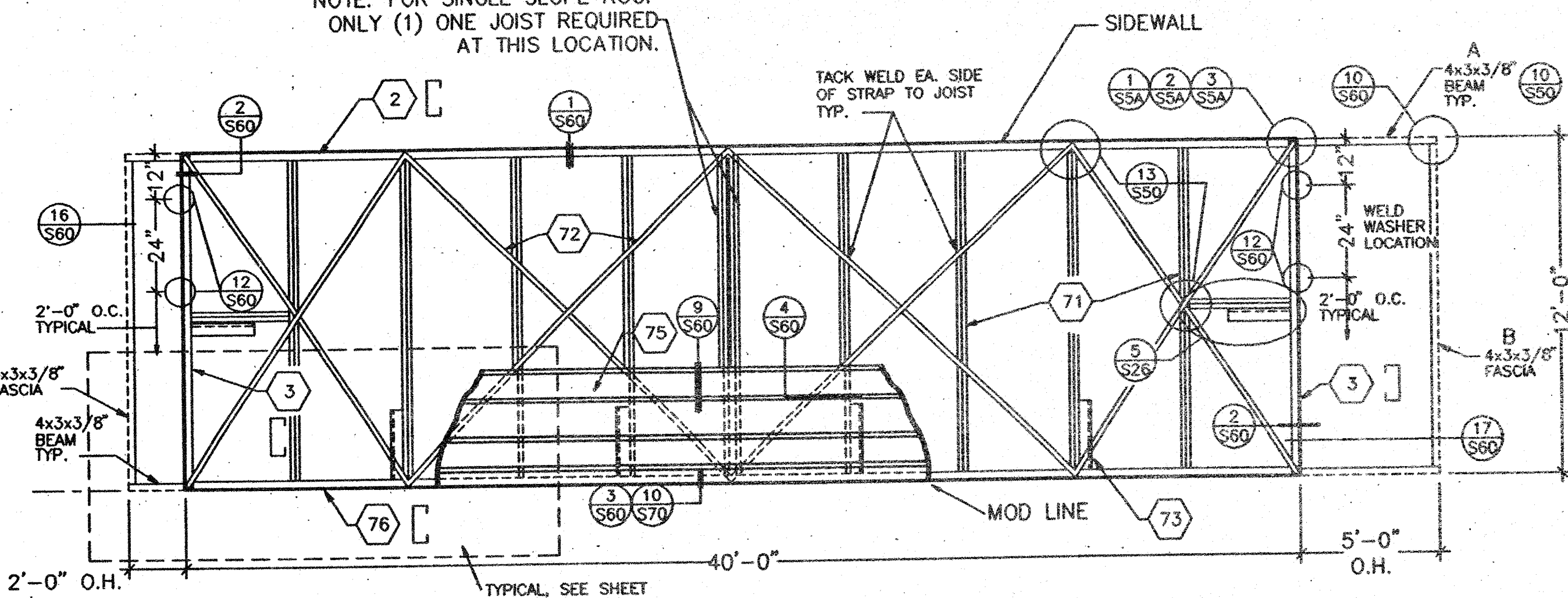
7 6" x 14 GA. ROOF JOIST



7 7" x 11 GA. ROOF JOIST

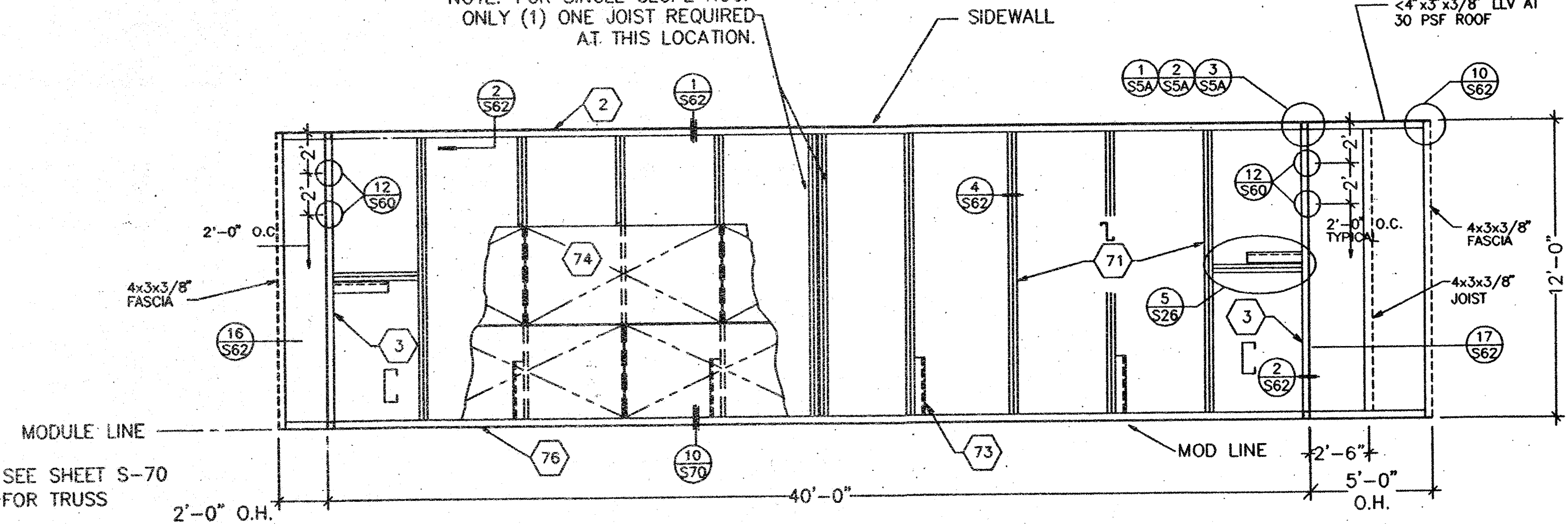


NOTE: FOR SINGLE SLOPE ROOF ONLY (1) ONE JOIST REQUIRED AT THIS LOCATION.



COLD ROLLED WITH 22 GA. METAL ROOF FRAMING PLAN (S-60)
METAL ROOF TO BE APPLIED PER APPROVED & LISTED MANUFACTURER'S INSTALLATION INSTRUCTIONS DOUBLE SLOPE

NOTE: FOR SINGLE SLOPE ROOF ONLY (1) ONE JOIST REQUIRED AT THIS LOCATION.



COLD ROLLED WITH PLYWOOD ROOF FRAMING PLAN (S-62)
26 OR 30 GAGE BUILT UP ROOF TO BE APPLIED & LISTED PER MANUFACTURER'S INSTALLATION INSTRUCTIONS DOUBLE SLOPE

AGENCY TRACKING NO. 63321-154
FILE NO. 15-6
IDENTIFICATION STAMP
DIV. OF THE STATE ARCHITECT
OFFICE OF REGULATION SERVICES
03-117035
AC FLS SS
DATE 6/28/2016

REGISTRATION STAMP
DIV. OF THE STATE ARCHITECT
OFFICE OF REGULATION SERVICES
4 100118
AC FLS SS
DATE JAN 15 1998

REGISTRATION STAMP
DIV. OF THE STATE ARCHITECT
OFFICE OF REGULATION SERVICES
100073
AC FLS SS
DATE JAN 15 1998

DATE 1-9-98
DRAWN BY R.D.L.
SCALE NONE
APPROVED
REVISIONS

SHEET NO. S-40

PC-100073