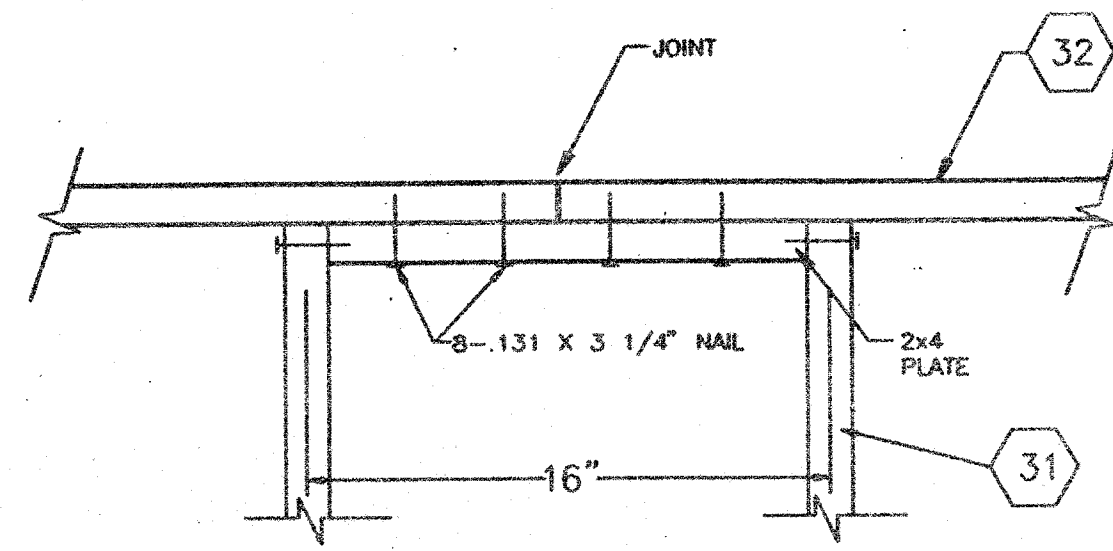
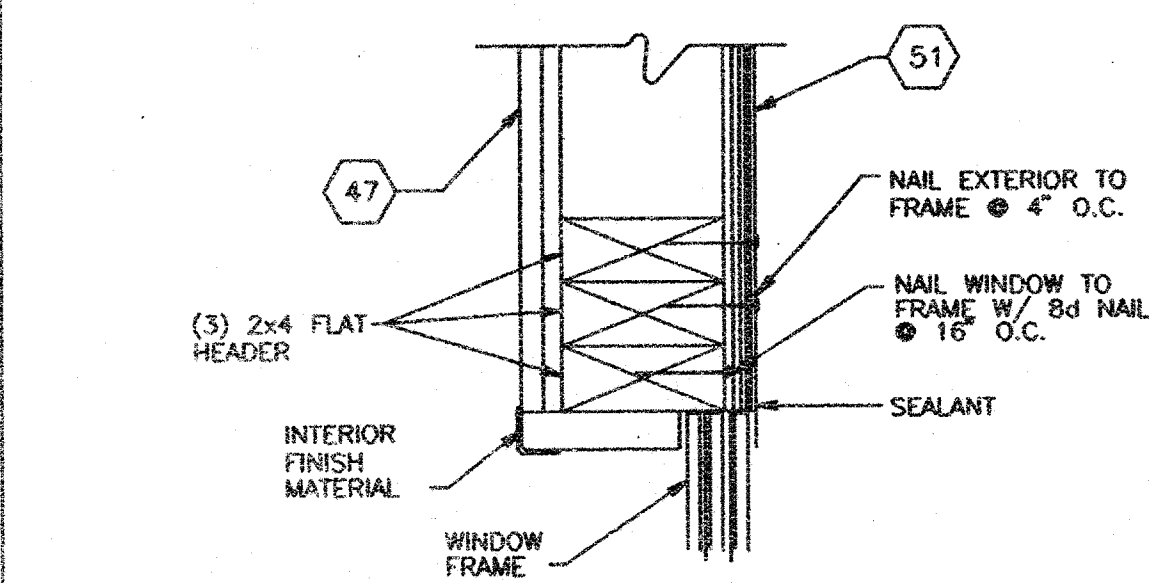


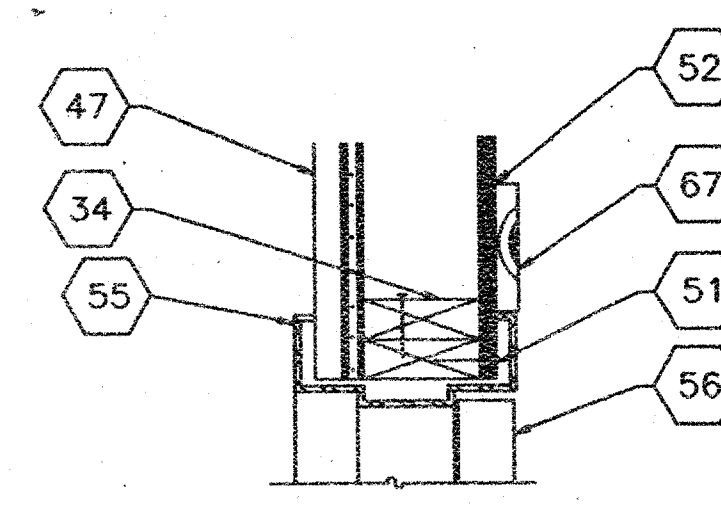
16 PANEL JOINT



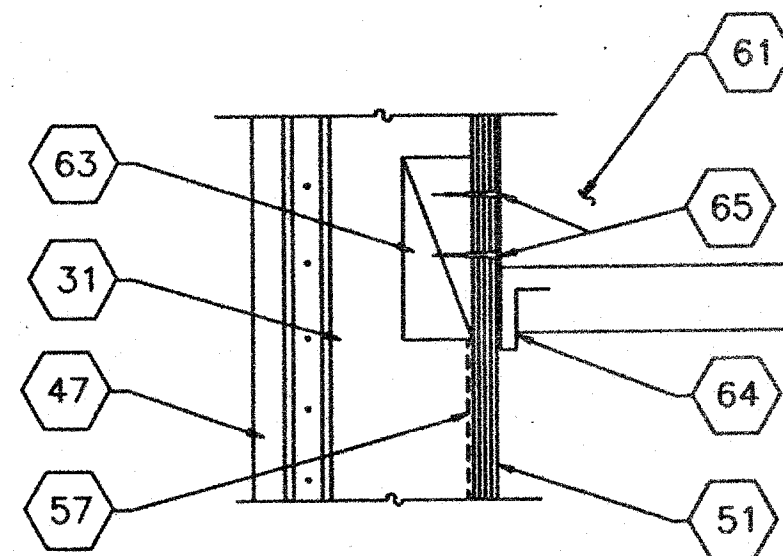
11 TOP PLATE SPLICE



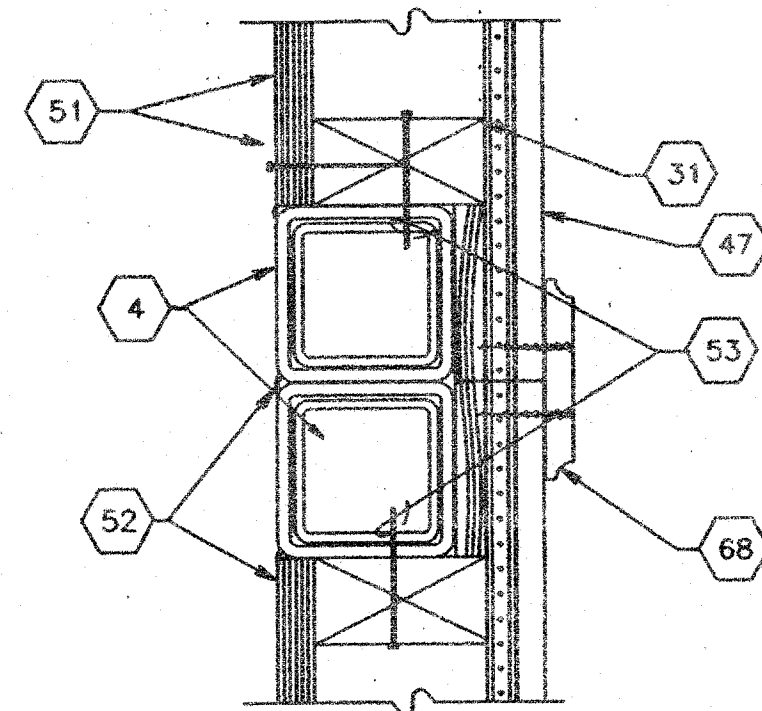
6 WINDOW HEADER



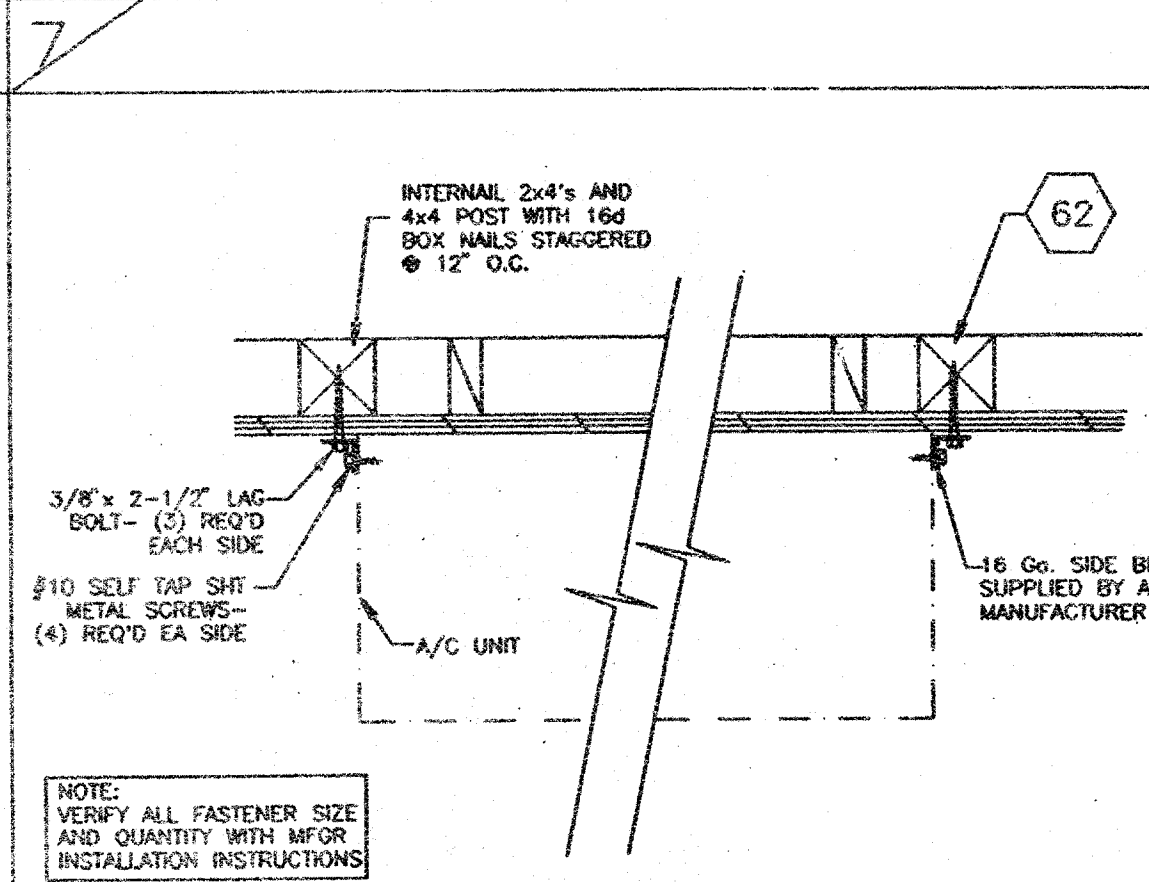
1 DOOR HEAD



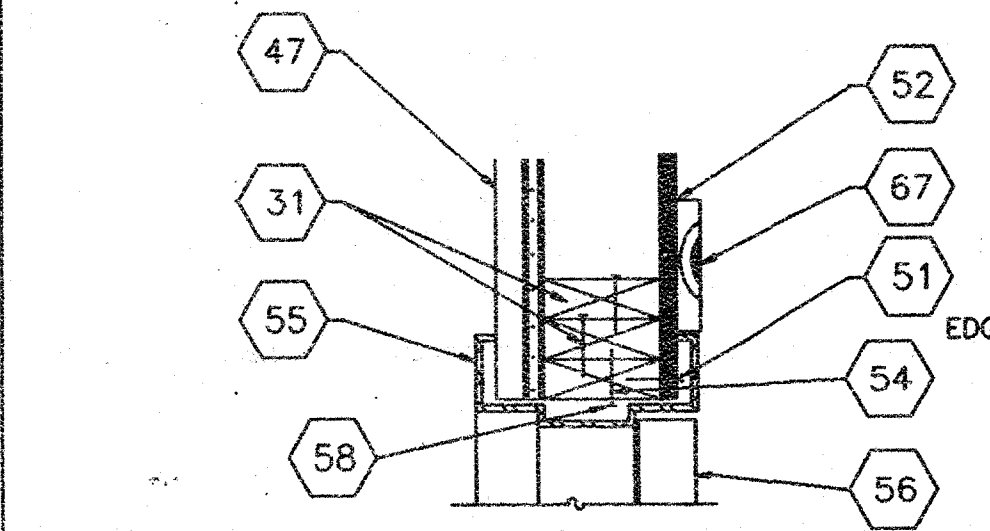
17 A/C BOTTOM BRACKET



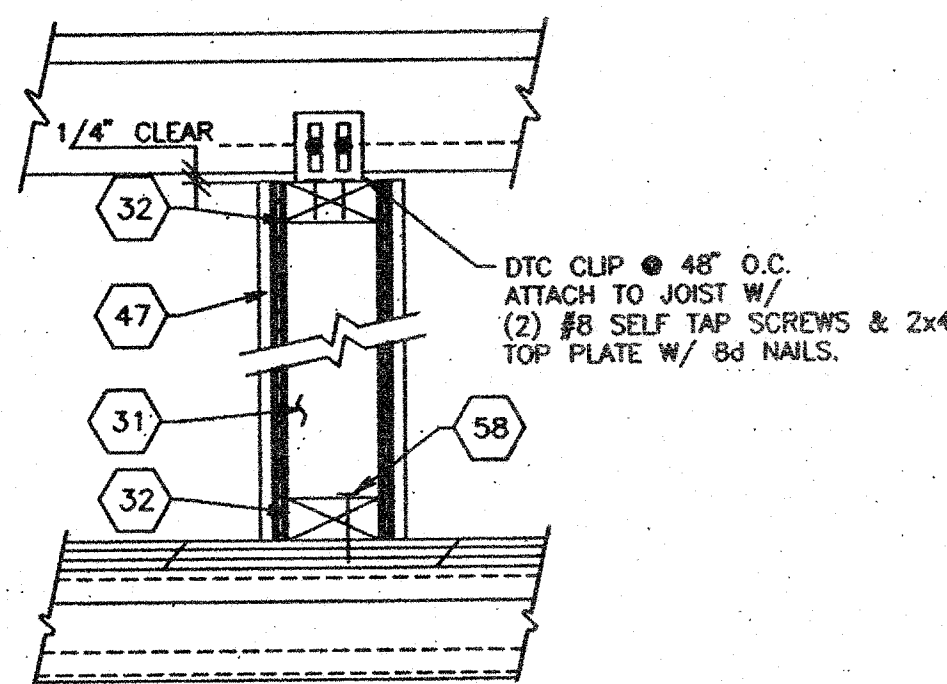
12 COLUMN AT MODULE LINE



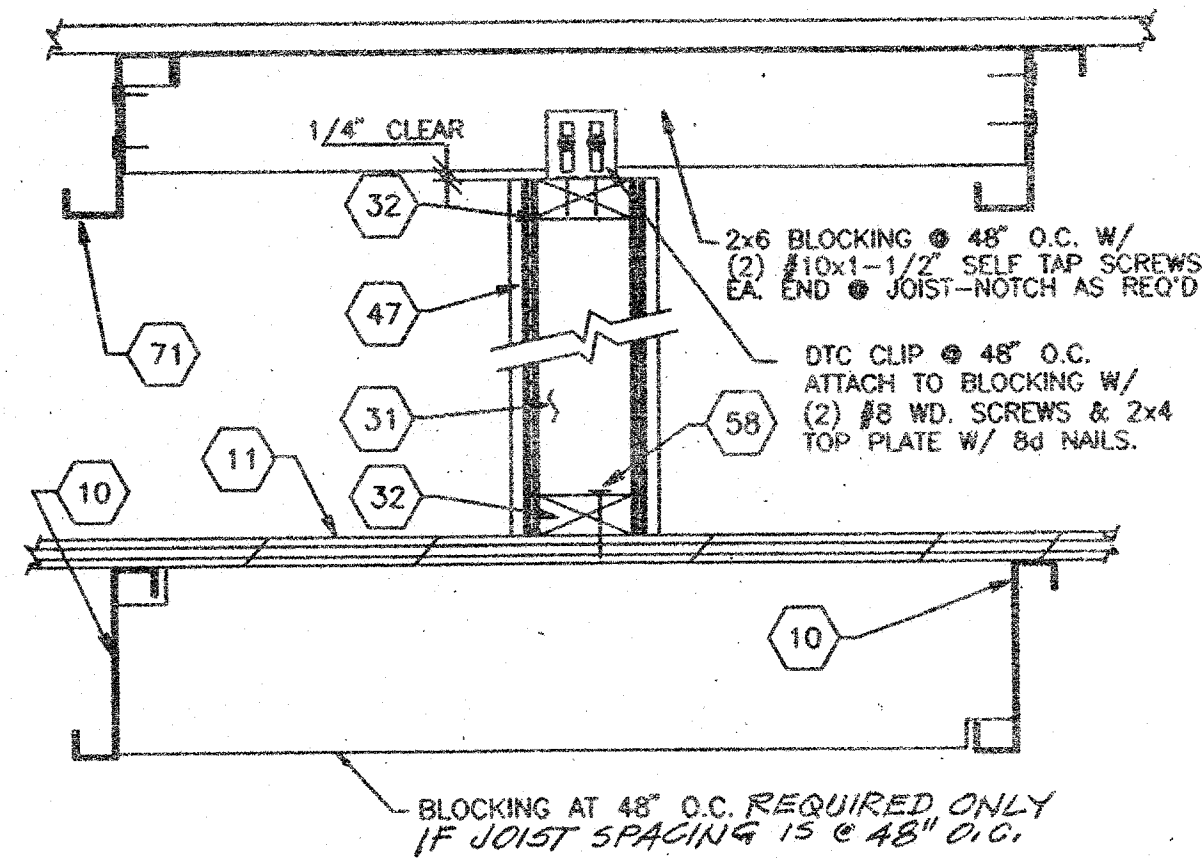
7 A/C UNIT



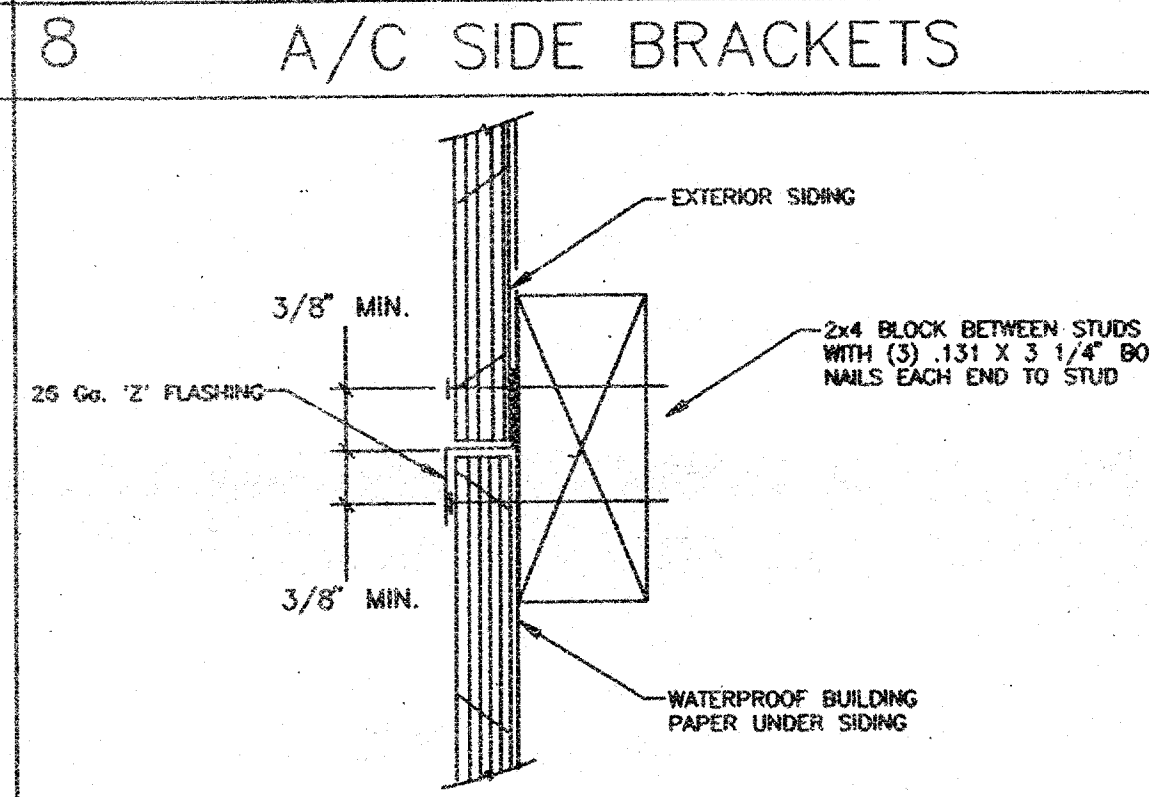
2 DOOR JAMB



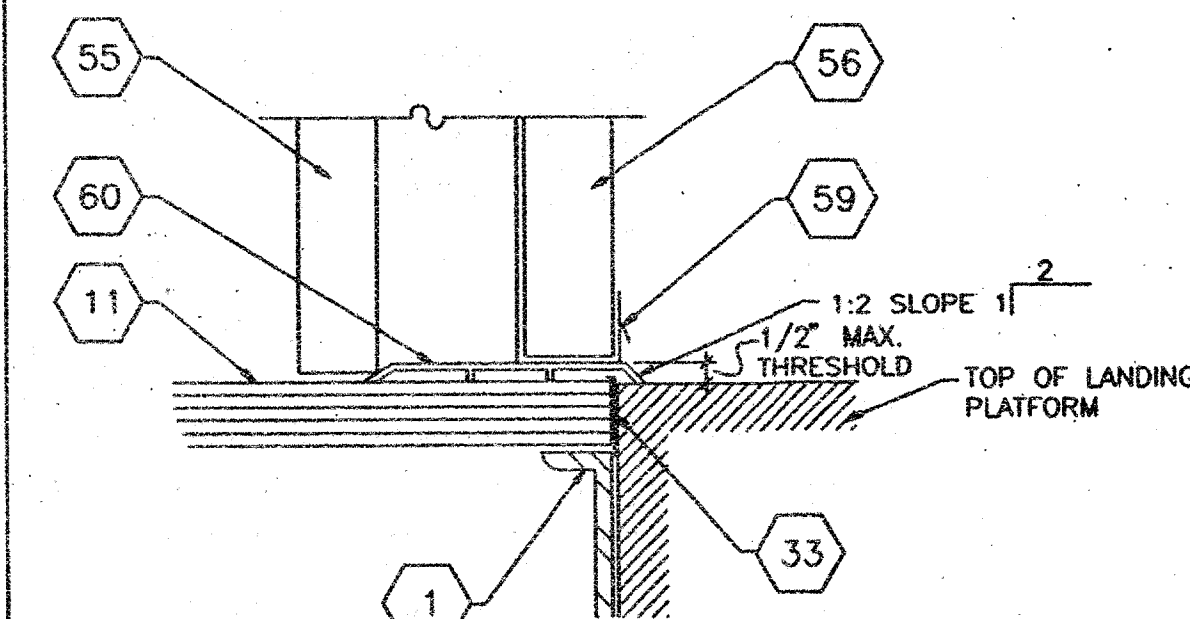
18 INTERIOR WALL ATTACHMENT



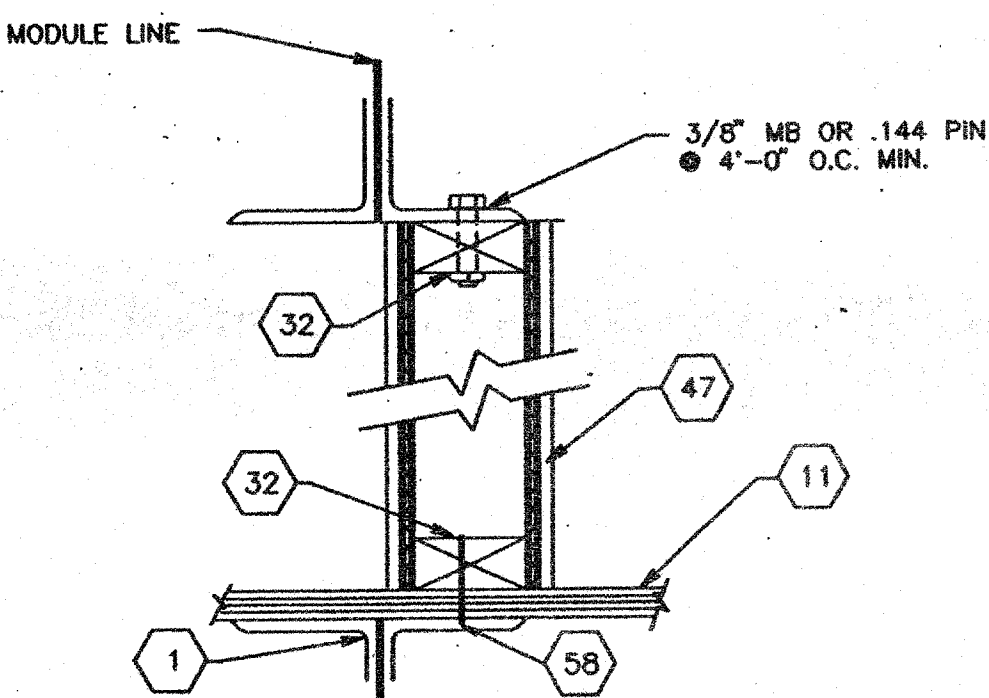
13 INTERIOR WALL ATTACHMENT



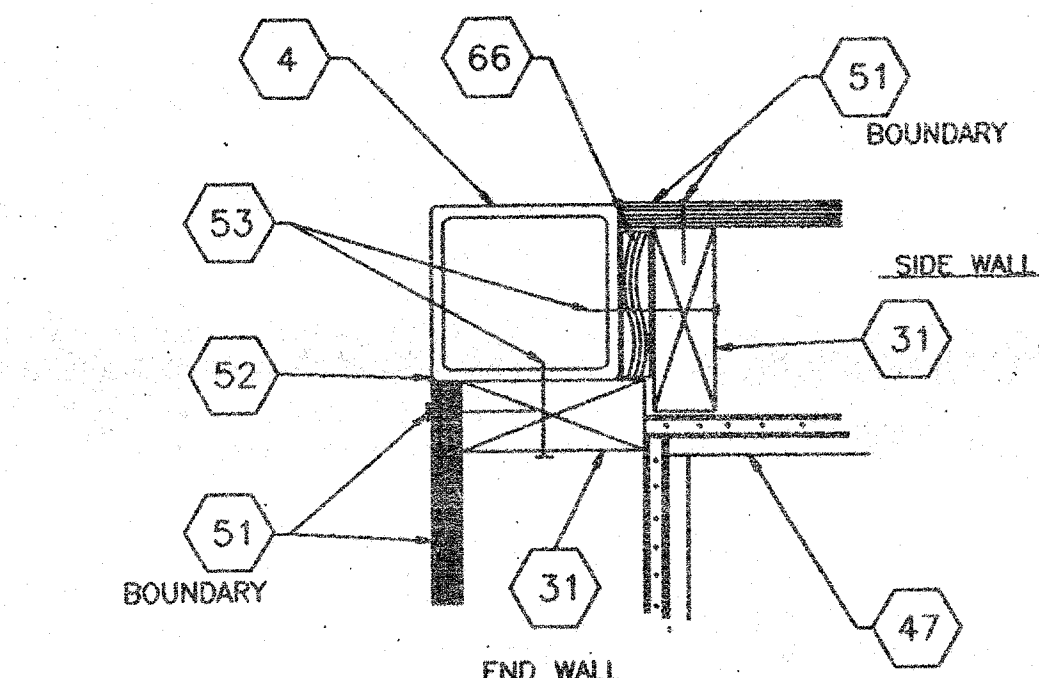
8 A/C SIDE BRACKETS



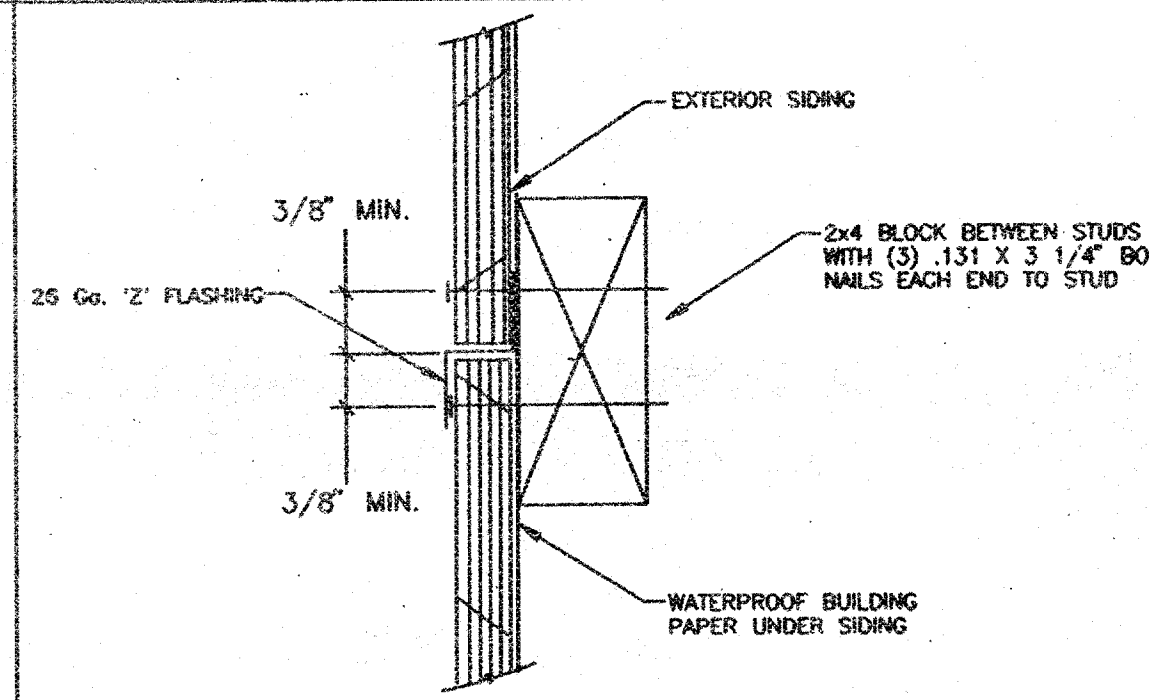
3 THRESHOLD



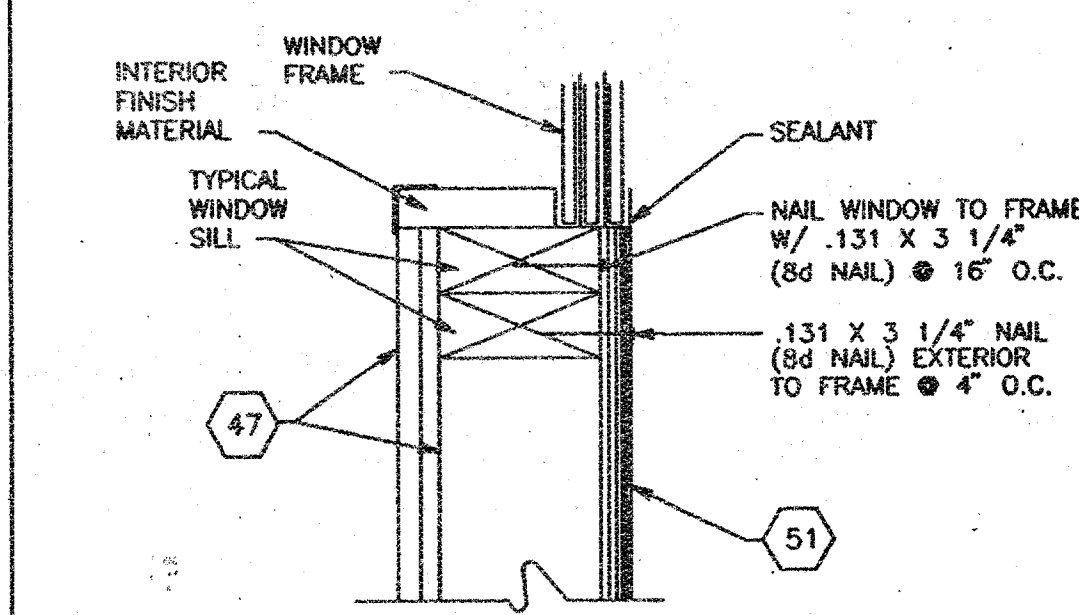
19 INT. WALL ATTACH @ MOD LINE



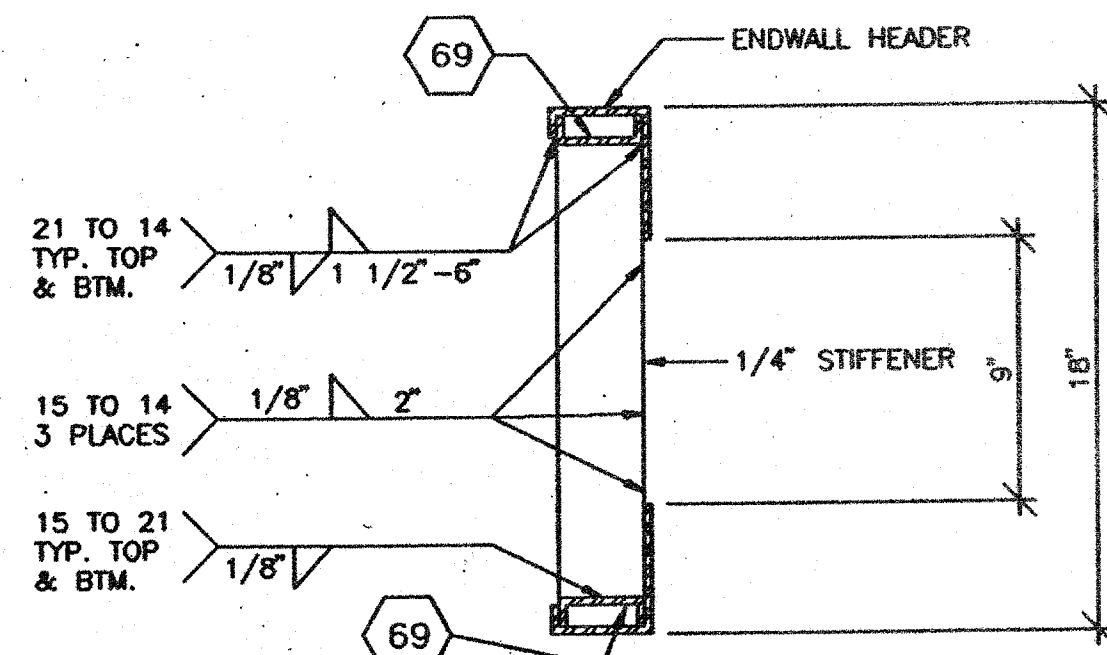
14 COLUMN AT CORNER



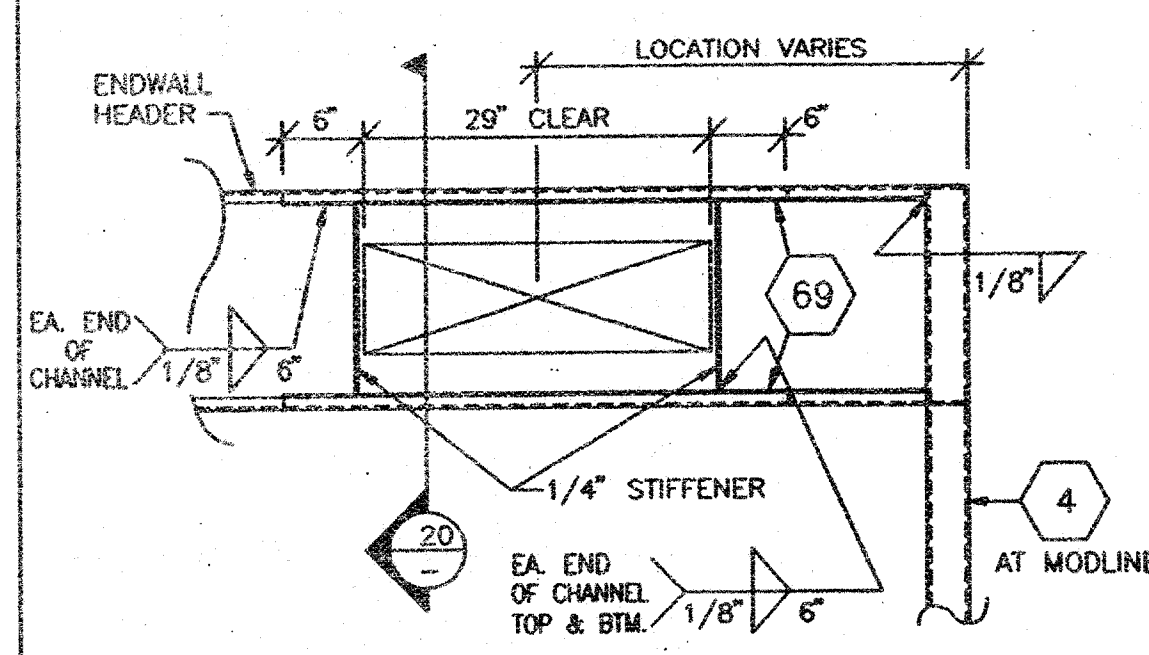
9 PANEL SPLICE



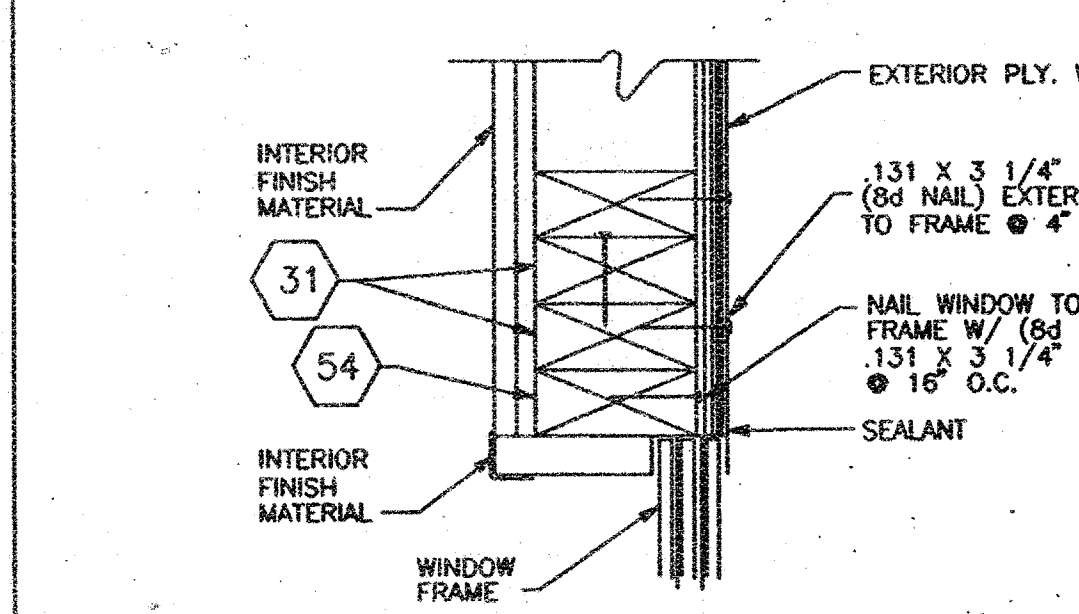
4 WINDOW SILL



20 A/C OPENING IN HEADER



10 A/C OPENING IN HEADER



5 WINDOW JAMB

KEYNOTES

1. STEEL FLOOR CHANNEL
4. STEEL TUBE COLUMN - SEE SHEET S-5
10. STEEL FLOOR JOIST
11. FLOOR SHEATHING
31. 2x4 FULL HT STUDS
32. 2x4 TOP & BOTTOM PLATE, NAIL TO PLYWOOD
33. GALV METAL FLASHING
34. HEADER - (2) 2x4 H.F. STD GRADE FLAT
47. TYPICAL INTERIOR FINISH - SEE SHEET G-1 FOR MATERIALS
51. EXTERIOR PLYWOOD SIDING/SHEATHING - NAIL W/ CORROSION RESISTANT (.131 X 3 1/4\"/>

THIS DRAWING AND THE MATERIAL CONTAINED THEREIN ARE THE PROPERTY OF MSI, INC. AND SHALL NOT BE REPRODUCED OR COPIED OR OTHERWISE DISPOSED OF IN ANY MANNER WITHOUT THE WRITTEN CONSENT OF MSI, INC. FOR THE MAKING OF DRAWINGS, PRINTS, APPARATUS OR FOR THE PURPOSE OF FURNISHING ANY INFORMATION OR FOR THE MAKING OF ANY REPRODUCTION OF THE MATERIAL CONTAINED HEREIN AND ORIGINATING WITH MSI, INC. SHALL BE THE PROPERTY OF MSI, INC.

ARCHITECT APPROVAL

STRUCTURAL ENGINEERS STAMP

STATE AGENCY APPROVAL

AGENCY TRACKING NO. 65321-154  
 FILE NO. 15-6  
 IDENTIFICATION STAMP  
 DIV. OF THE STATE ARCHITECT  
 OFFICE OF REGULATION SERVICES  
 03-117035  
 AC / FLS / SS / BY  
 DATE 02/27/2016  
 LICENSE EXPIRES 6-30-2020

MSI  
 MODULAR STRUCTURES INTERNATIONAL, INC.  
 920 CITRUS AVE. RIVERSIDE, CALIFORNIA 92507  
 PHONE: (909) 788-3035 FAX: (909) 788-1523  
 PC-100073

PROJECT  
 24'X40', 36'X40', & 48'X40'  
 MODULAR CLASSROOM BUILDING  
 TITLE  
 GENERAL INTERIOR AND EXTERIOR  
 WALL CONSTRUCTION DETAILS

JOB #  
 DATE 1-9-98  
 DRAWN BY R.D.L.  
 SCALE NONE  
 APPROVED  
 REVISIONS

STATE AGENCY APPROVAL  
 STATE AGENCY APPROVAL  
 STATE AGENCY APPROVAL  
 SHEET NO.  
 S-30