

THIS DRAWING AND THE MATERIAL CONTAINED THEREIN ARE THE PROPERTY OF M.S.I., INC. AND SHALL NOT BE REPRODUCED, COPIED OR OTHERWISE DISPOSED OF IN ANY MANNER WITHOUT THE WRITTEN CONSENT OF M.S.I., INC. FOR THE PURPOSE OF FURNISHING ANY INFORMATION OR PARTS THEREOF WITHOUT THE FULL KNOWLEDGE AND WRITTEN CONSENT OF M.S.I., INC. ALL PATENTABLE AND WRITABLE INVENTIONS ARE RESERVED BY M.S.I., INC. MATERIAL CONTAINED HEREIN AND OPERATING WITH M.S.I., INC. SHALL BE THE PROPERTY OF M.S.I., INC.

**MSI**  
 MODULAR STRUCTURES INTERNATIONAL, INC.  
 920 CITRUS AVE. RIVERSIDE, CALIFORNIA 92507  
 PHONE: (909) 788-3035 FAX: (909) 788-1523

ARCHITECT APPROVAL

STRUCTURAL ENGINEERS STAMP

REGISTERED PROFESSIONAL ENGINEER  
 JAMES T. SIMPSON, EIT  
 No. 3802  
 CIVIL  
 STATE OF CALIFORNIA  
 LICENSE EXPIRES 6-30-90

STATE AGENCY APPROVAL

PROJECT  
 24'X40', 36'X40', & 48'X40'  
 MODULAR CLASSROOM BUILDING

TITLE  
 STEEL FRAMING DETAILS

AGENCY TRACKING NO. 63321-154  
 FILE NO. 15-6  
 IDENTIFICATION STAMP  
 DIV. OF THE STATE ARCHITECT  
 OFFICE OF REGULATION SERVICES  
 03-117035  
 AC / FLS / SS / 21  
 DATE 5/28/2016

STATE AGENCY APPROVAL

DATE 12-8-97  
 DRAWN BY R.D.L.  
 SCALE NONE  
 APPROVED  
 REVISIONS

STATE AGENCY APPROVAL

STATE AGENCY APPROVAL

4 100118  
 DIV. OF THE STATE ARCHITECT  
 OFFICE OF REGULATION SERVICES  
 AC / FLS / SS / 21  
 DATE JAN 15 1998

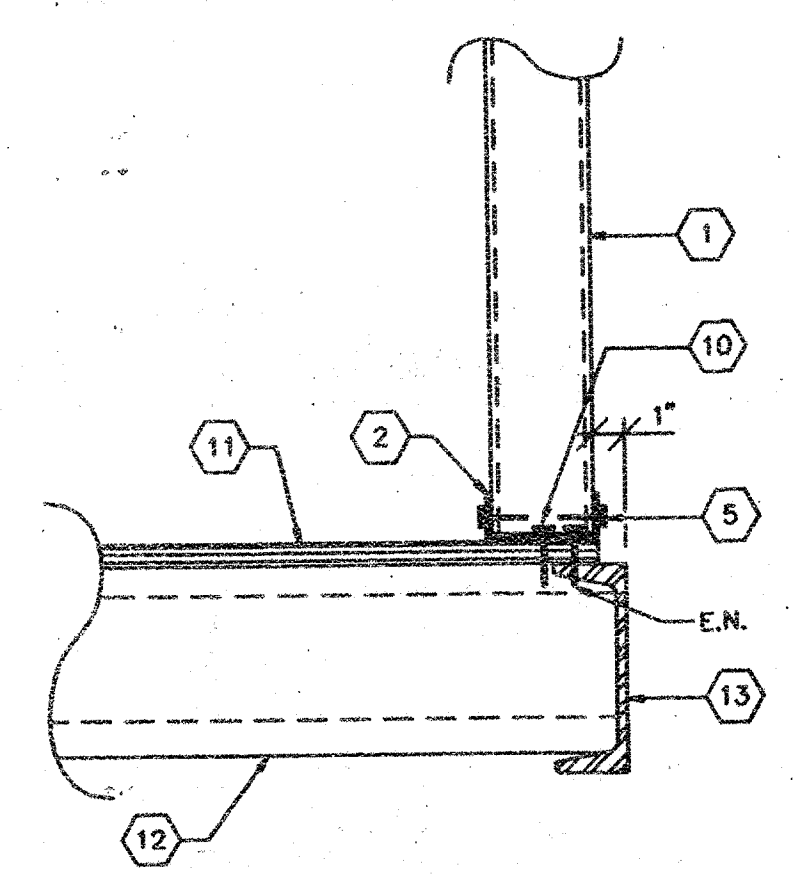
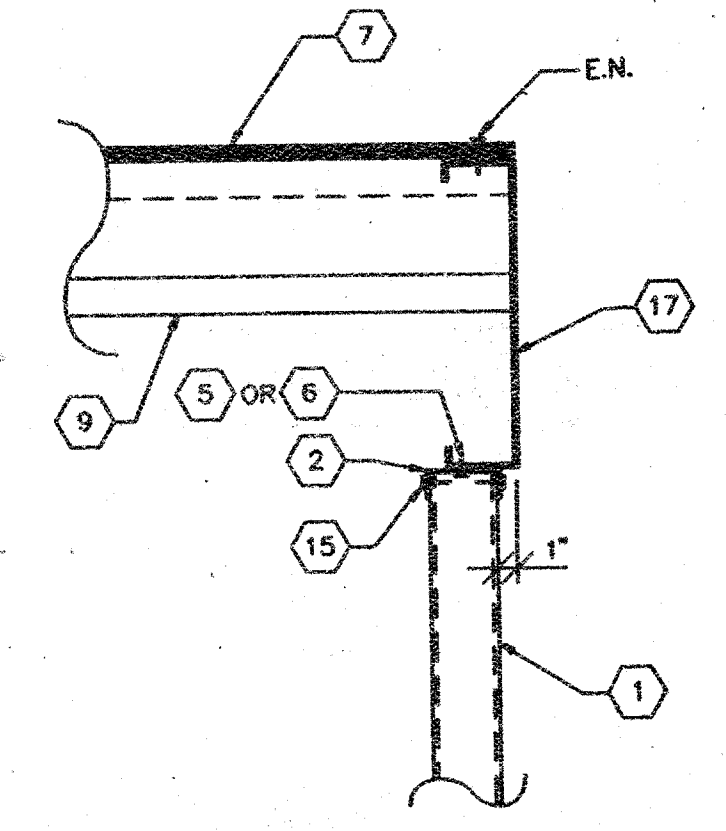
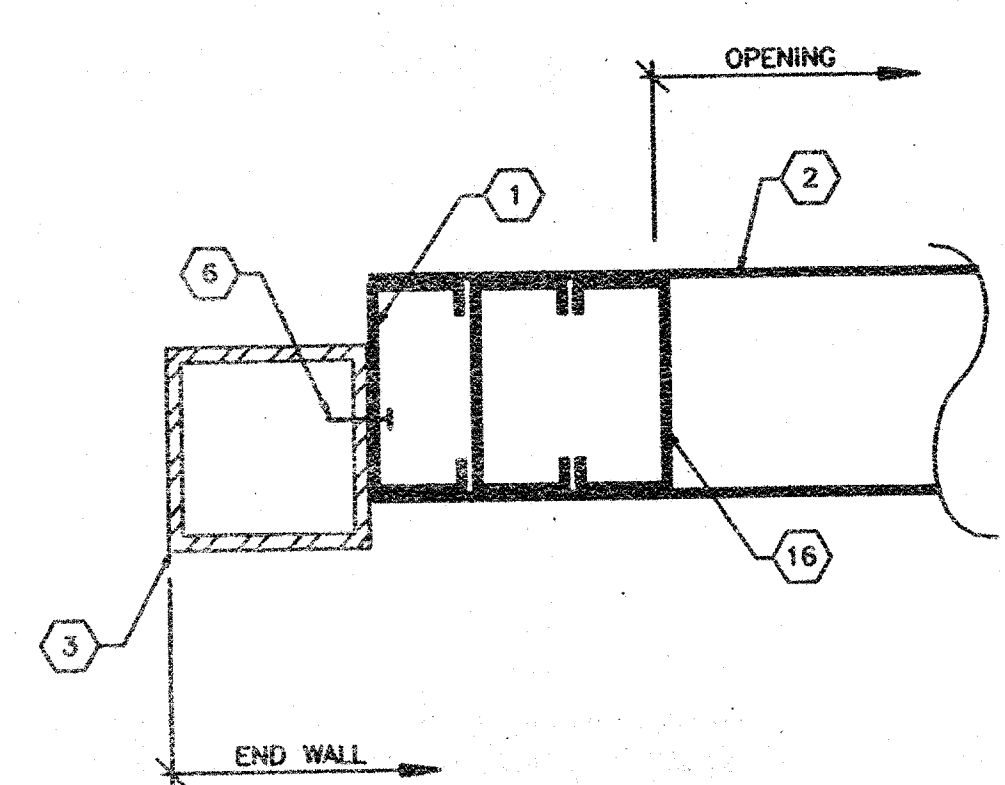
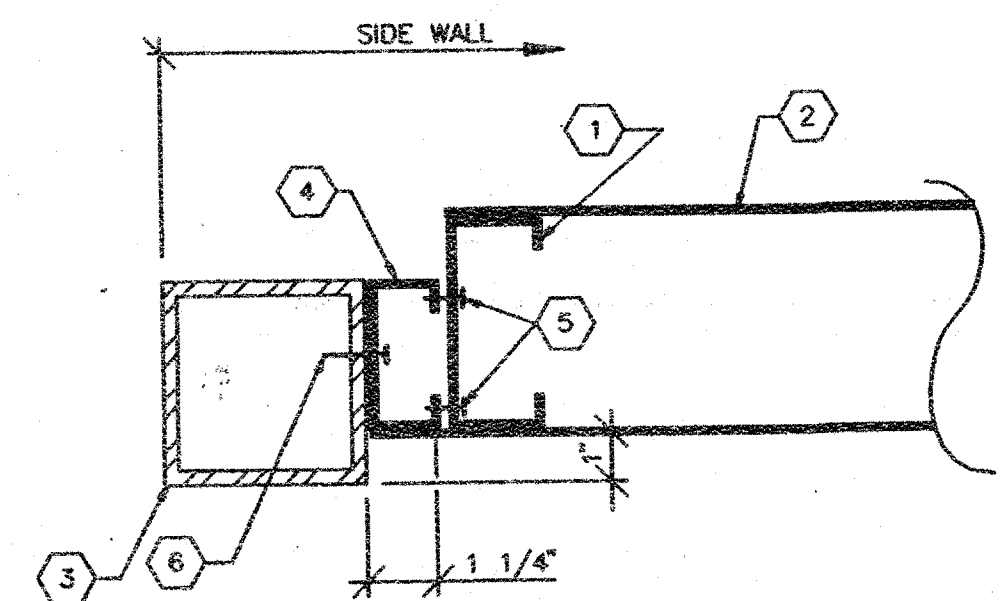
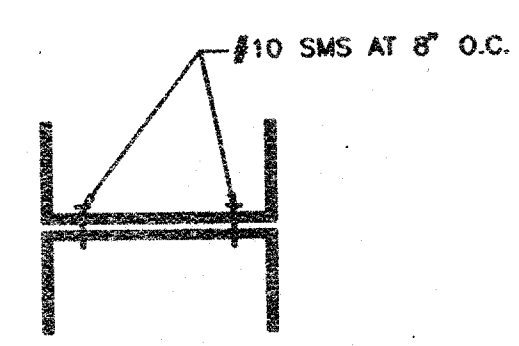
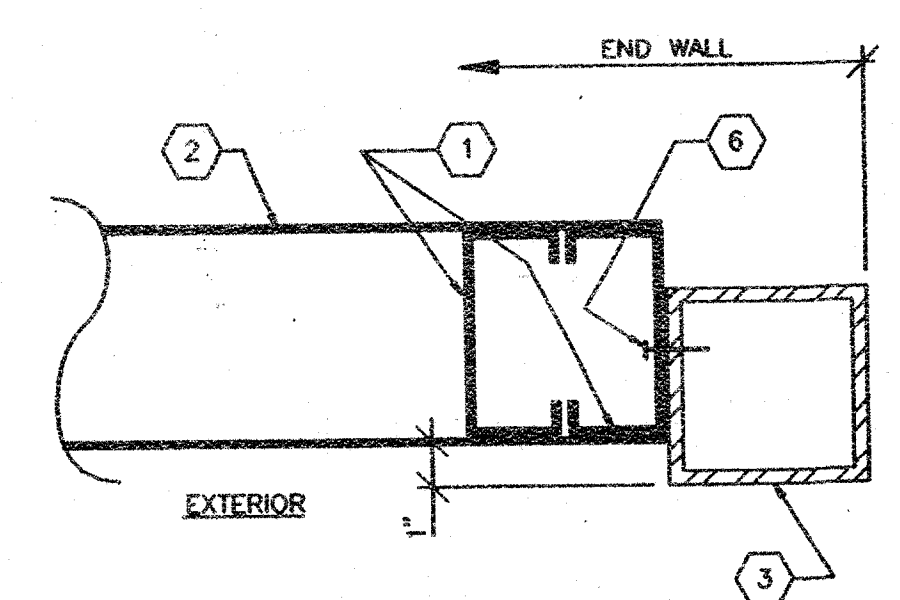
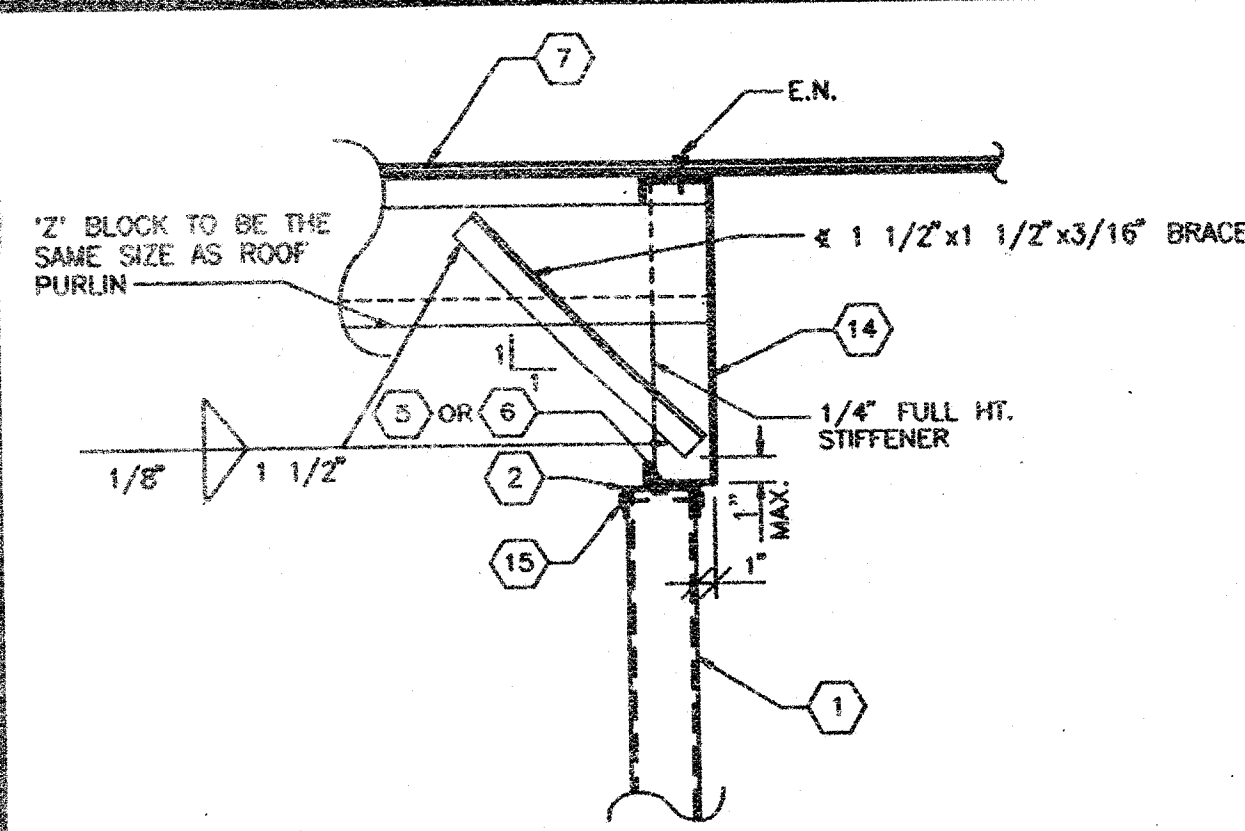
STATE AGENCY APPROVAL

4 100073  
 DIV. OF THE STATE ARCHITECT  
 OFFICE OF REGULATION SERVICES  
 AC / FLS / SS / 21  
 DATE JAN 15 1998

SHEET NO.  
 S-26

KEYNOTES

1. 3 1/2" x 20 GA. METAL STUD.
2. 3 1/2" x 20 GA. TRACK.
3. STEEL TUBE COLUMN.
4. SHOP FORMED SPACER.
5. #10 STMS WAFFER HD. AT 24" O.C. OR KNURLED PIN #43-3120B OR KNURLED AKN OR EQUAL AT 24" O.C.
6. AEROSMITH AKN 0.145" SHOT PIN OR #10 SMS AT 24" O.C. MAX. OR KNURLED PIN #43-3120B OR KNURLED AKN OR EQUAL.
7. STANDING SEAM ROOFING.
8. ROOF BEAM.
9. ROOF PURLIN.
10. 16d BOX AT 8" O.C. MAX. ALTERNATE #10 x 1 1/2" W.S. OR KNURLED PIN #43-3120B OR KNURLED AKN OR EQUAL AT 8" O.C.
11. PLYWOOD FLOOR DECK.
12. FLOOR JOIST OR BLOCKING.
13. FLOOR BEAM.
14. ROOF HEADER.
15. #6 STMS WAFFER HD OR KNURLED PIN #43-3120B OR KNURLED AKN OR EQUAL.
16. JAMB STUDS SEE OPENING SCHEDULE.
17. ROOF BEAM.



DETAIL 13

DETAIL 9

WALL AT ROOF HEADER 5

WALL AT COLUMN (END WALL) 1

DETAIL 14

DETAIL 10

HEADER / SILL WITH DOUBLE TRACK 6

WALL AT COLUMN (SIDE WALL) 2

DETAIL 15

DETAIL 11

JAMB STUDS AT COLUMN 7

WALL AT ROOF BEAM 3

DETAIL 16

DETAIL 12

WALL AT FLOOR 8

WALL AT FLOOR 4