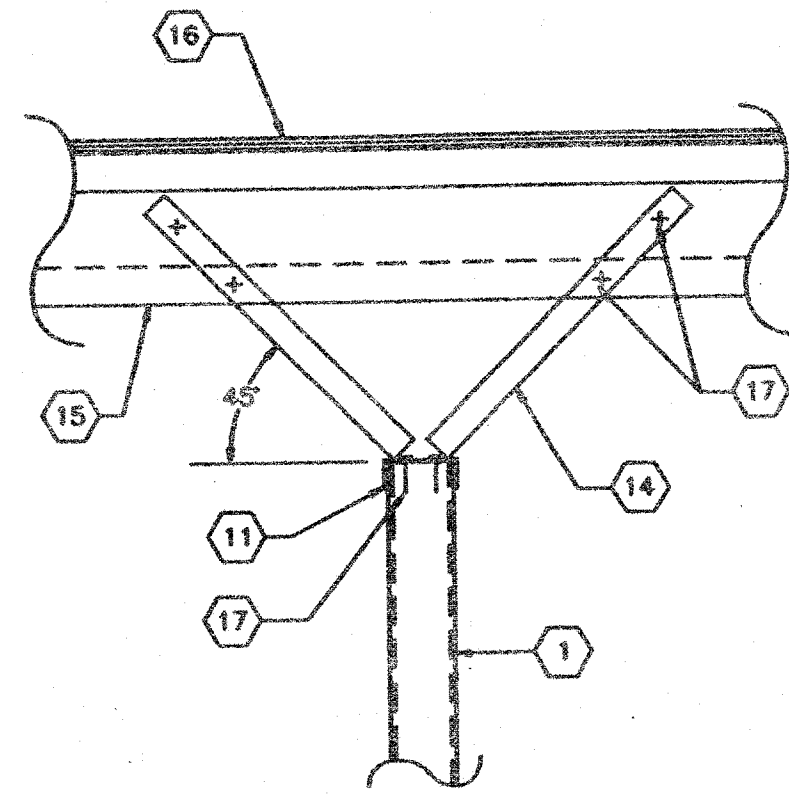


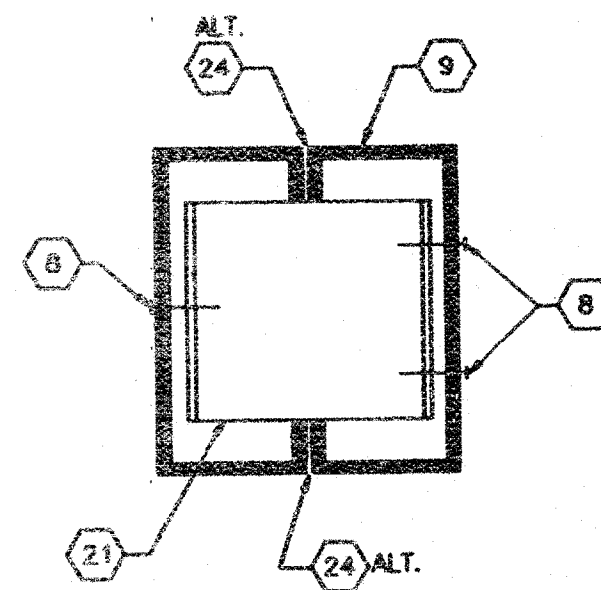
TYP. STRAP TO STUD

13



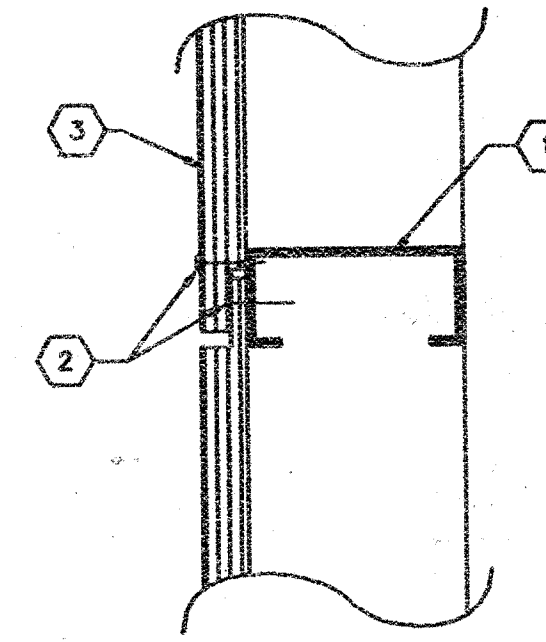
PARTITION CONNECTION PERPENDICULAR

9



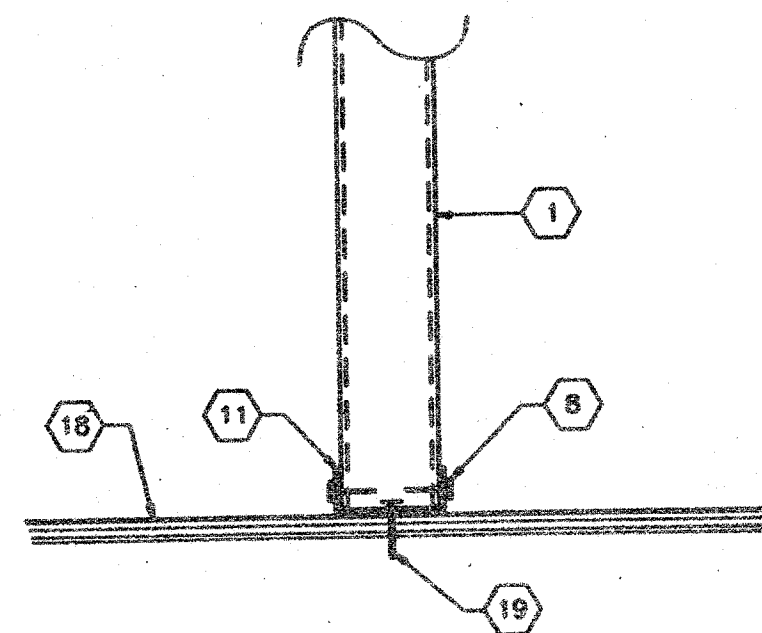
TYP. JAMB STUD CONNECTION

5



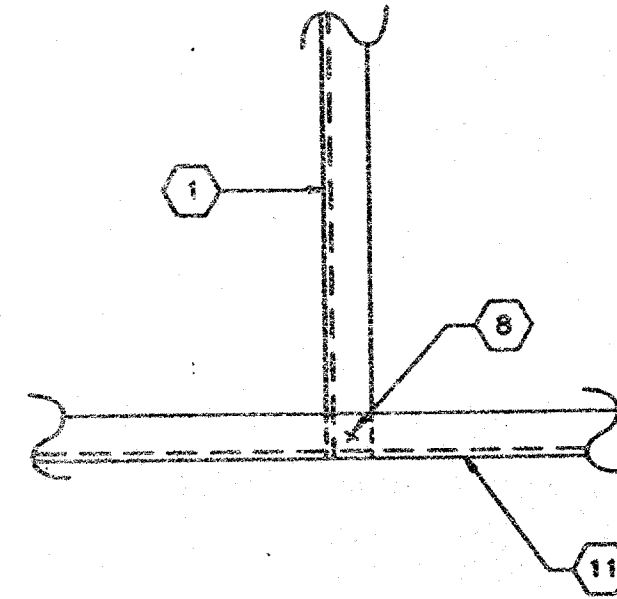
VERTICAL PLYWOOD EDGES

1



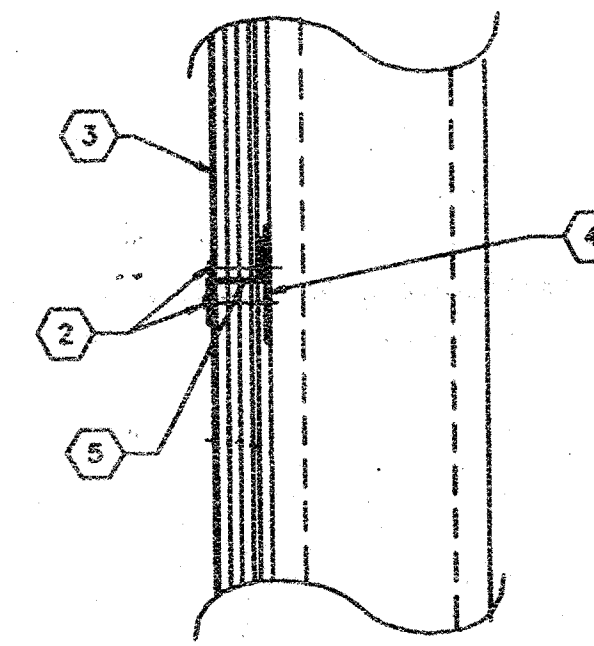
PARTITION CONNECTION TO SILL

10



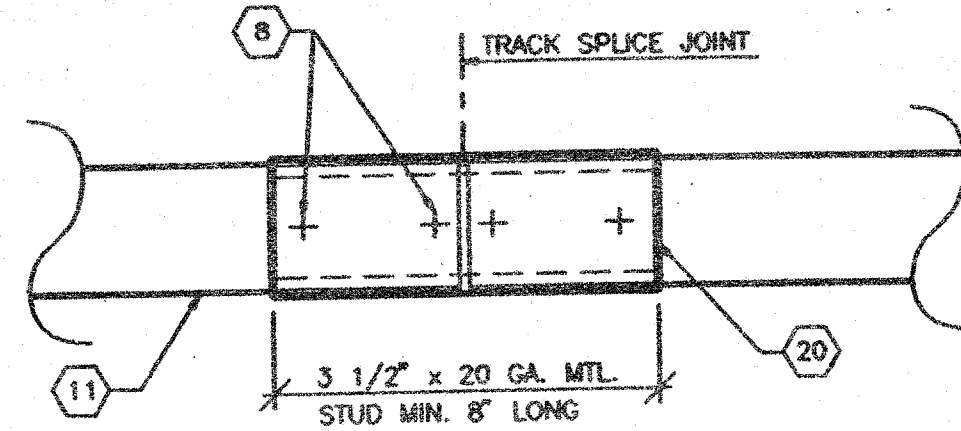
TYP. STUD TO TRACK CONNECTION

6



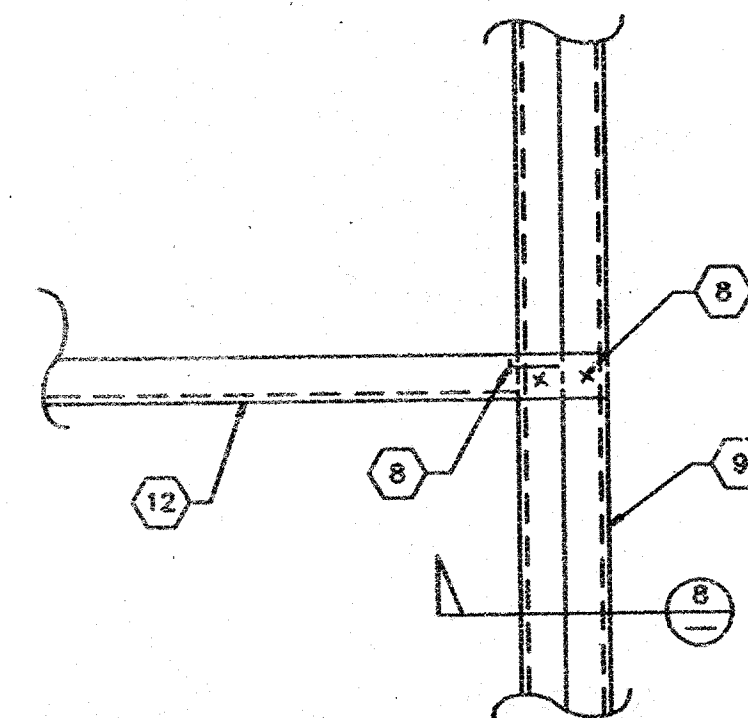
HORIZONTAL PLYWOOD EDGES

2



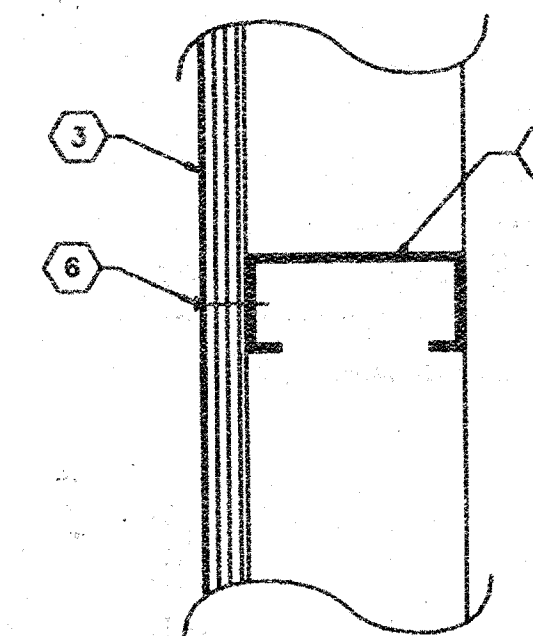
PARTITION TOP TRACK SPLICE

11



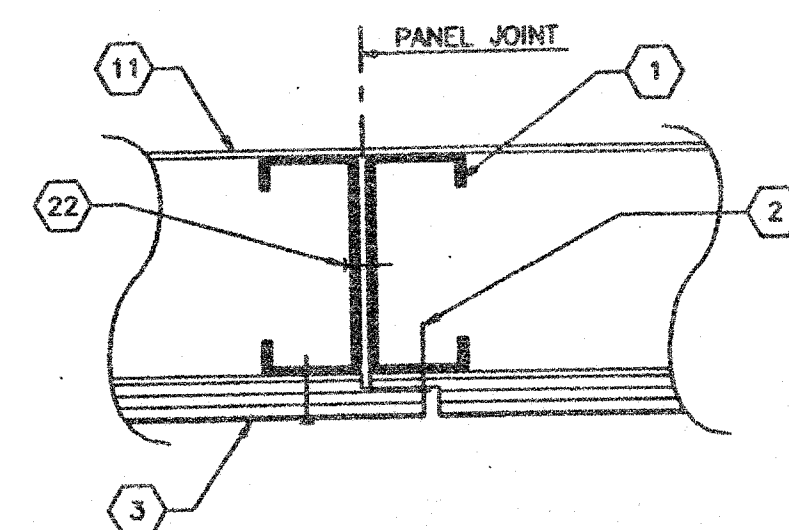
TYP. HEADER TO JAMB & SILL TO JAMB

7



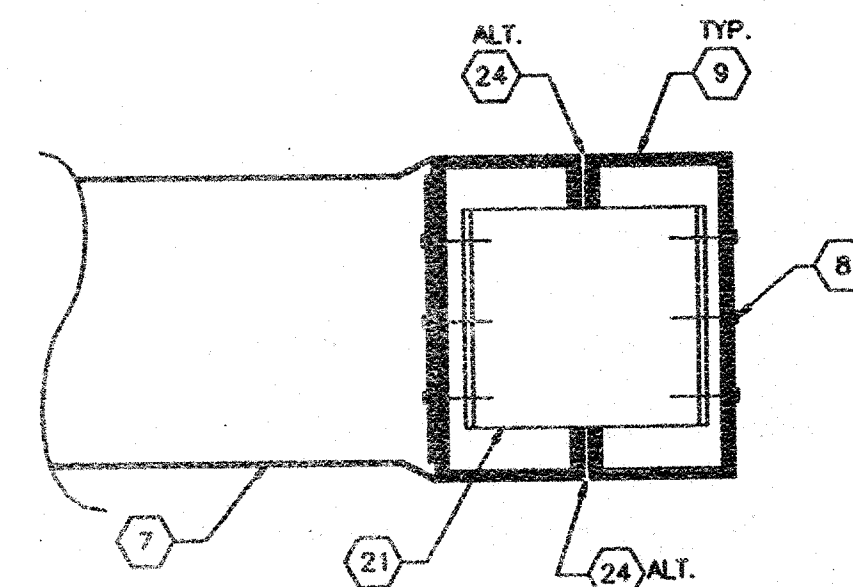
SECTION AT STUD

3



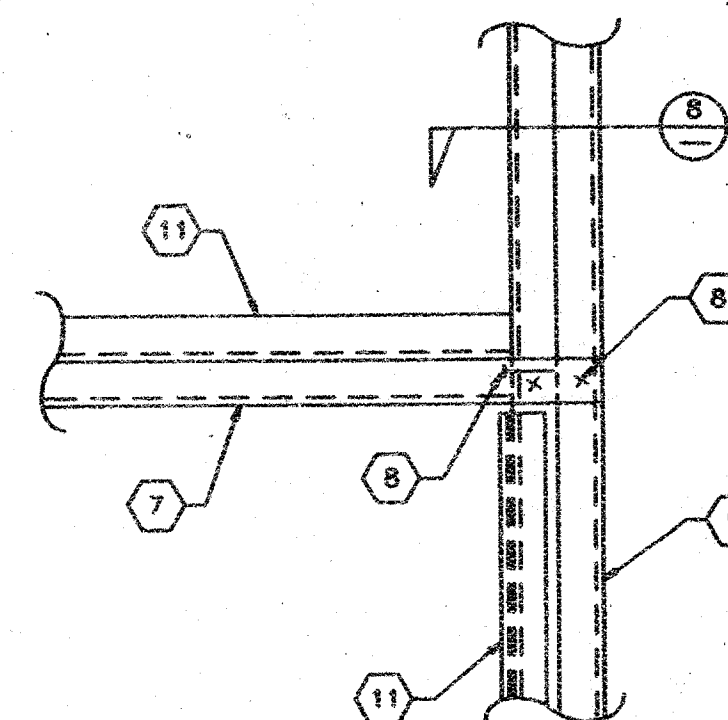
WALL PANEL JOINT

12



SECTION AT JAMB / HDR. CONNECTION

8



HEADER DETAIL

4

NOTES:

- A. EXTERIOR PLYWOOD ATTACHED TO STUDS W/ CORROSION RESISTANT SCREWS.
- B. PROVIDE MOISTURE BARRIER BEHIND SIDING.
- KNURLED PIN #43-3210 (ICBO ER 5299) (.105" x 1 9/16" LENGTH) STUD 20 GA LATERAL LOAD MIN. = 100 LBS. RESISTANCE WITHDRAN LOAD MIN. = 45 LBS. RESISTANCE
- KNURLED AKN (ICBO ER 4144) (.100") STUD 20 GA LATERAL LOAD MIN. = 100 LBS. RESISTANCE WITHDRAN LOAD MIN. = 35 LBS. RESISTANCE

KEYNOTES

- 1. 3 1/2" x 20 GA. METAL STUD AT 16" O.C. MAX.
- 2. #8 STSMS EN AT 6" O.C. MAX. OR KNURLED PIN #43-3120, OR KNURLED AKN OR EQUAL AT 6" O.C.
- 3. EXTERIOR FINISH (SEE FINISH SCHEDULE).
- 4. 20 GA. x 2 1/2" CONTINUOUS STRAP.
- 5. 26 GA. S.N. "Z" FLASHING.
- 6. #8 STSMS FN AT 12" O.C. MAX. OR KNURLED PIN #43-3120, OR KNURLED AKN OR EQUAL AT 12" O.C.
- 7. HEADER (SEE OPENING SCHEDULE) COPE & BEND WEB FOR ATTACHMENT TO JAMB STUDS.
- 8. #6 STSMS WAFER HD. OR KNURLED PIN #43-3120, OR KNURLED AKN OR EQUAL.
- 9. JAMB STUD (SEE OPENING SCHEDULE FOR TYPE AND QUANTITY).
- 10.
- 11. 3 1/2" x 20 GA. TRACK.
- 12. 3 1/2" x 20 GA. TRACK AS HEADER OR SILL (SEE OPENING SCHEDULE) COPE AND BEND WEB FOR ATTACHMENT TO JAMB STUDS.
- 13.
- 14. 2 1 1/2" x 1 1/2" x 12 GA. AT 8" O.C. STAGGERED.
- 15. ROOF PURLIN (SEE STRUCTURAL ROOF FRAME).
- 16. PLYWOOD ROOF DECK.
- 17. #10 STSMS OR KNURLED PIN #43-3120 OR KNURLED AKN OR EQUAL.
- 18. PLYWOOD SUB FLOOR.
- 19. 16d AT 8" O.C. MAX. OR KNURLED PIN #43-3120 OR KNURLED AKN OR EQUAL.
- 20. 3 1/2" x 20 GA. METAL STUD.
- 21. 20 GA. JAMB CLIP "L" AT 24" O.C. MAX.
- 22. #6 STSMS AT 24" O.C. MAX. OR KNURLED PIN #43-3120 OR KNURLED AKN OR EQUAL.
- 23. 20 GA. x 4" WIDE STRAP.
- 24. ALTERNATE WELDING 1" AT 18" O.C. IS AN ACCEPTABLE ALTERNATE TO BOXING AND SCREWING.

THIS DRAWING AND THE MATERIAL CONTAINED THEREIN ARE THE PROPERTY OF M.S.I. INC. AND SHALL BE REPRODUCED OR OTHERWISE USED IN WHOLE OR IN PART FOR THE PURPOSE OF FABRICATING OR CONSTRUCTION OF ANY STRUCTURE WITHOUT THE WRITTEN CONSENT OF M.S.I. INC. ALL PATENTABLE AND WRITABLE INVENTIONS ARE RESERVED AND WILL BE THE PROPERTY OF M.S.I. INC. MATERIAL CONTAINED HEREIN AND ORIGINATING WITH M.S.I. INC. SHALL BE THE PROPERTY OF M.S.I. INC.

ARCHITECT APPROVAL

STRUCTURAL ENGINEERS STAMP

STATE AGENCY APPROVAL

AGENCY TRACKING NO. 63321-154  
FILE NO. 15-6  
IDENTIFICATION STAMP  
DIV. OF THE STATE ARCHITECT  
OFFICE OF REGULATION SERVICES  
AC 03-717035  
DATE 6/28/2016

STATE AGENCY APPROVAL  
DATE 12-8-97  
DRAWN BY R.D.L.  
SCALE NONE  
APPROVED  
REVISIONS

STATE AGENCY APPROVAL  
DATE JAN 15 1998

ARCHITECT APPROVAL

STRUCTURAL ENGINEERS STAMP

STATE AGENCY APPROVAL

AGENCY TRACKING NO. 63321-154  
FILE NO. 15-6  
IDENTIFICATION STAMP  
DIV. OF THE STATE ARCHITECT  
OFFICE OF REGULATION SERVICES  
AC 03-717035  
DATE 6/28/2016

STATE AGENCY APPROVAL  
DATE 12-8-97  
DRAWN BY R.D.L.  
SCALE NONE  
APPROVED  
REVISIONS

STATE AGENCY APPROVAL  
DATE JAN 15 1998

**MSI**  
MODULAR STRUCTURES INTERNATIONAL, INC.  
920 CITRUS AVE. RIVERSIDE, CALIFORNIA 92507  
PHONE: (909) 788-3035 FAX: (909) 788-1523

PROJECT  
24'X40', 36'X40', & 48'X40'  
MODULAR CLASSROOM BUILDING  
TITLE  
STEEL FRAMING DETAILS

| OPENING SCHEDULE |                                     |                                     |                                    |
|------------------|-------------------------------------|-------------------------------------|------------------------------------|
| OPENING          | HEADER                              | SILL                                | JAMB                               |
| 3068/4068        | (1) STUD #<br>(1) 3 1/2" x 20 GA. T | (1) STUD #<br>(1) 3 1/2" x 20 GA. T | (1) 3 1/2" x 20 GA. S<br>(1) TRACK |
| 8040             | (1) STUD #<br>(2) 3 1/2" x 20 GA. T | (1) STUD #<br>(2) 3 1/2" x 20 GA. T | (2) 3 1/2" x 20 GA. S<br>(1) TRACK |

| LIGHT GAUGE STEEL PROPERTIES |       |                       |                       |                       |
|------------------------------|-------|-----------------------|-----------------------|-----------------------|
| MEMBER                       | TYPE  | MAYOR AXIS            |                       |                       |
|                              |       | A                     | S <sub>x</sub>        | I <sub>x</sub>        |
| 3 1/2" x 20 GA. S            | STUD  | 0.251 IN <sup>2</sup> | 0.278 IN <sup>3</sup> | 0.487 IN <sup>4</sup> |
| 3 1/2" x 20 GA. T            | TRACK | 0.159 IN <sup>2</sup> | 0.123 IN <sup>3</sup> | 0.215 IN <sup>4</sup> |