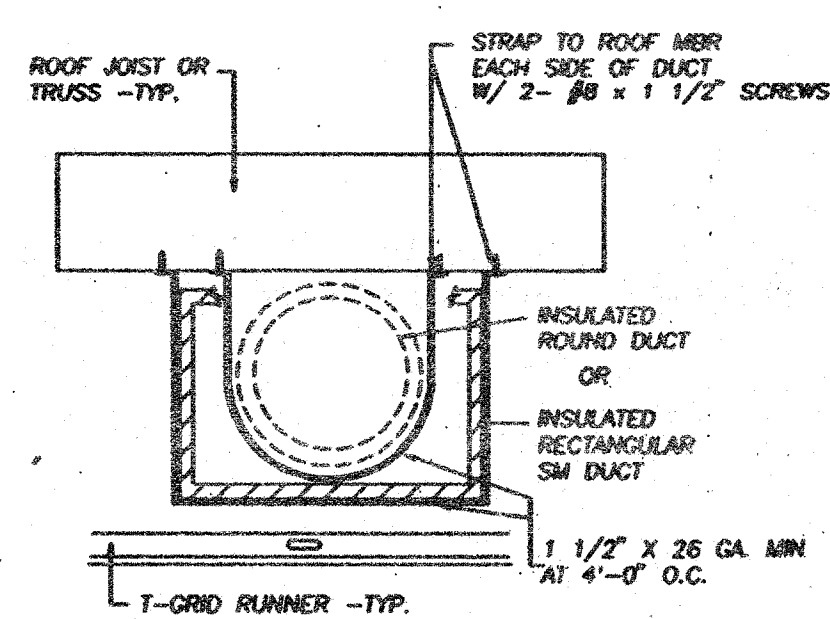
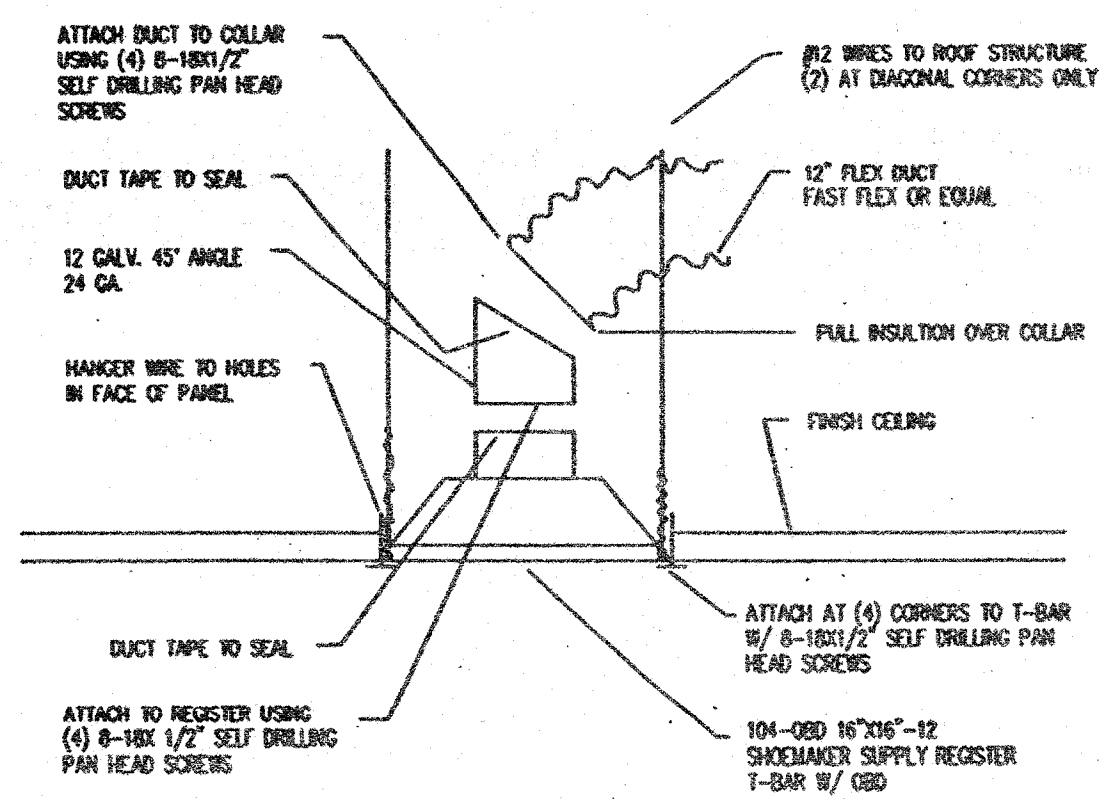


AIR FILTER: SEE GEN. NOTES ON ARCH'L SHEET OF PLANS
HVAC MOUNTING
 SCALE: 3/4" = 1'-0"



FACTORY-MADE AIR DUCTS: SEE GENERAL NOTES ARCH'L SHEET OF PLANS
DUCT MOUNTING
 SCALE: 1" = 1'-0"



REGISTER BOX DETAIL
 NTS

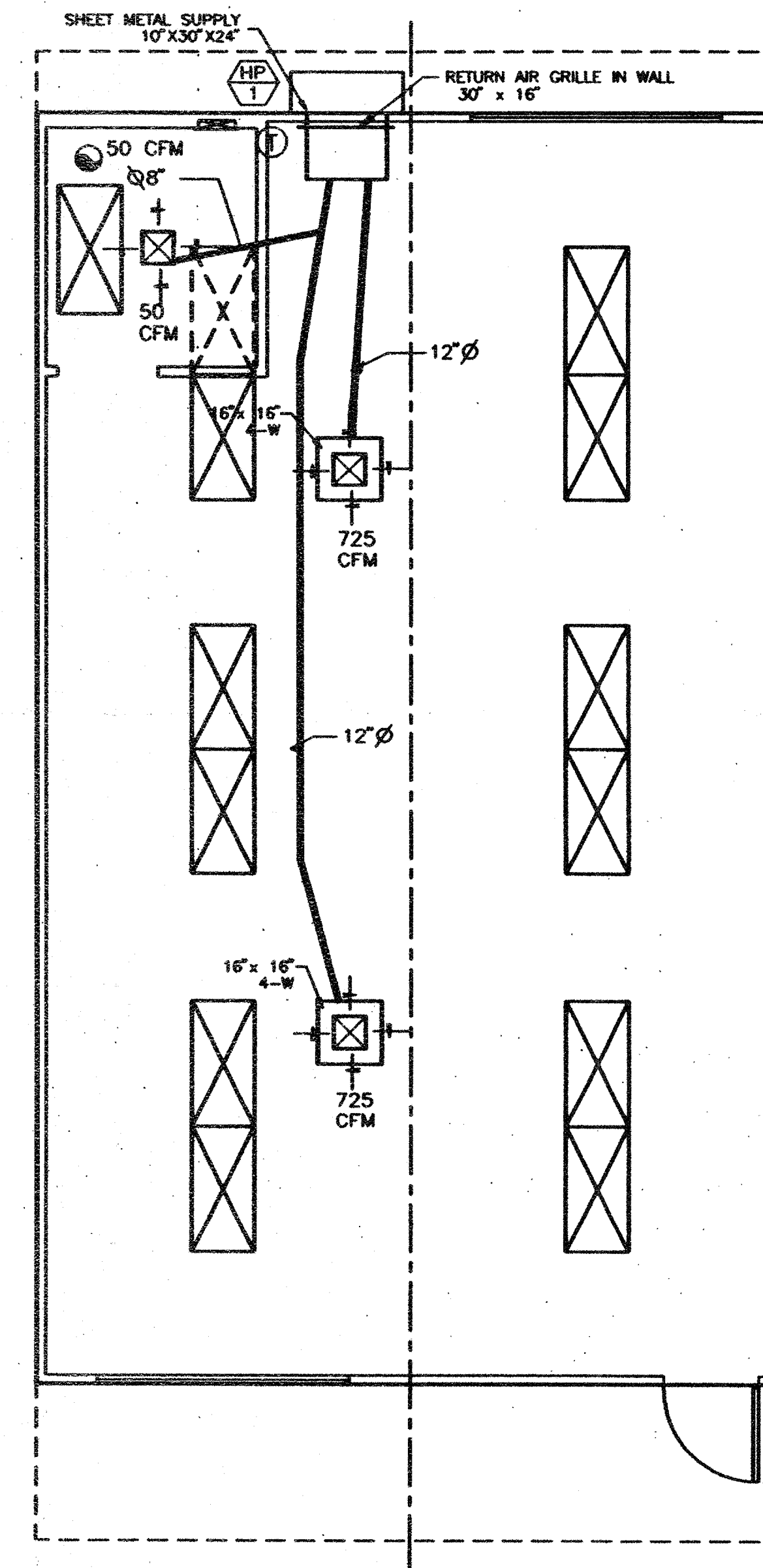
EQUIPMENT & MATERIAL SCHEDULE

HP-1 HEAT PUMP 'BARD' WALLMOUNT, WH421-LA08VX4, OR EQUIV.
 41,500 NOM. BTUH COOLING CAPACITY
 41,000 NOM. BTUH HEATING CAPACITY FROM COMPRESSOR OR 27,300 NOM. BTUH HEATING CAPACITY FROM HEAT STRIP BUT NOT BOTH
 MCA 46, MOCP 50, 1500 CFM @ .3 ESP, UNIT WEIGHT 510 LB., 230 VOLT, 60 CYCLE, SINGLE PHASE

INTERIOR DUCTWORK - FLEX DUCT W/ 1" INSULATION - CLASS I U.L.-181
 FLAME SPREAD - 15
 SMOKE DEVELOPED - 25

LEGEND

- Ⓧ THERMOSTAT - WHITE ROGERS 1F92-71 MOUNT AT +48" A.F.F.
- Ⓧ 16"x16" LAY-IN, 4-WAY OPPOSED BLADE SUPPLY AIR DIFFUSER
- EXHAUST FAN (BROAN #670 OR EQUAL) 50 CFM



MECHANICAL NOTES

ROUND FLEX DUCT SHALL BE 'GLASS FLEX' ABL-181 OR EQUAL U.L. LISTED CLASS I FLEXIBLE DUCT WITH 13/16" THICK FIBERGLASS INSULATION, NON-PERFORATED LINER AND ADJUSTABLE SHEET METAL COLLARS.
 THERMOSTAT PROGRAMMING TO BE PERFORMED AND BATTERY PROVIDED BY OTHERS ON SITE.
 TEST AND BALANCE OF HVAC SYSTEM TO BE PROVIDED AND PERFORMED BY OTHERS ON SITE.
 ALL HVAC EQUIPMENT LEAVES FACTORY WIRED FOR 240V. OPERATION. THE ACCEPTABLE OPERATING RANGE FOR THE 240 & 208 TAPS ARE:

TAP	RANGE
240	253-216
208	220-187

MECHANICAL PLAN

THIS DRAWING AND THE MATERIAL CONTAINED THEREIN ARE THE PROPERTY OF MSI. NO PARTS HEREIN SHALL BE REPRODUCED, COPIED, OR OTHERWISE DISPOSED OF IN WHOLE OR IN PART TO ASSIST IN THE MAKING OF OR FOR THE PURPOSE OF FURNISHING ANY INFORMATION OR PARTS THEREOF WITHOUT THE FULL KNOWLEDGE AND WRITTEN CONSENT OF M.S.I. INC. ALL PATENTABLE MATERIAL CONTAINED HEREIN AND ORIGINATING WITH M.S.I. INC. SHALL BE THE PROPERTY OF M.S.I. INC.

MSI
 MODULAR STRUCTURES INTERNATIONAL, INC.
 920 CITRUS AVE. RIVERSIDE, CALIFORNIA 92507
 PHONE: (909) 786-3035 FAX: (909) 786-1523

ARCHITECT APPROVAL

STRUCTURAL ENGINEERS STAMP
 REGISTERED PROFESSIONAL ENGINEER
 JAMES T. SIMPSON
 No. 3882
 LICENSE EXPIRES 6-30-2008

AGENCY TRACKING NO. 63321-154
 FILE NO. 15-6
 DIVISION OF THE STATE ARCHITECT
 OFFICE OF REGULATION SERVICES
 03-717035
 AC / FLS / SS / 6/28/2016

STATE AGENCY APPROVAL
 DIVISION OF THE STATE ARCHITECT
 OFFICE OF REGULATION SERVICES
 4-1100118
 AC / FLS / SS / 1/5/1998

STATE AGENCY APPROVAL
 DIVISION OF THE STATE ARCHITECT
 OFFICE OF REGULATION SERVICES
 4-1100073
 AC / FLS / SS / 1/5/1998

PROJECT: 24'x40' MODULAR CLASSROOM BUILDING

JOB #
 DATE: 12-8-97
 DRAWN BY: R.D.L.
 SCALE

APPROVED

REVISIONS

SHEET NO.
 M-1-24

TITLE
 MECHANICAL PLAN

PC-