

12

8

5 EXTERIOR WINDOW HEAD - TYP. SCALE: 6" = 1'-0"

1 EXTERIOR WINDOW HEAD WITH TRIM - TYP. SCALE: 6" = 1'-0"

13

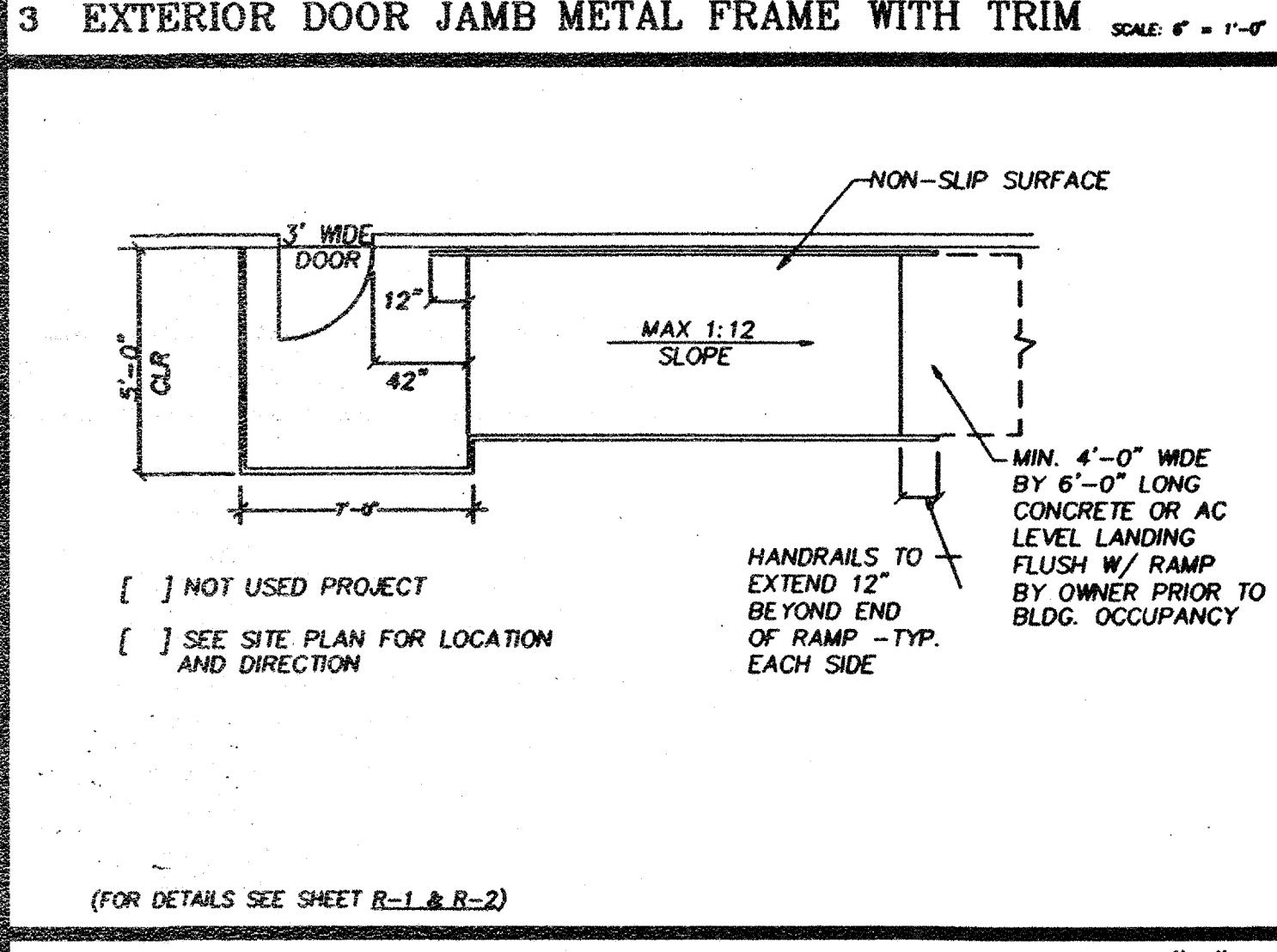
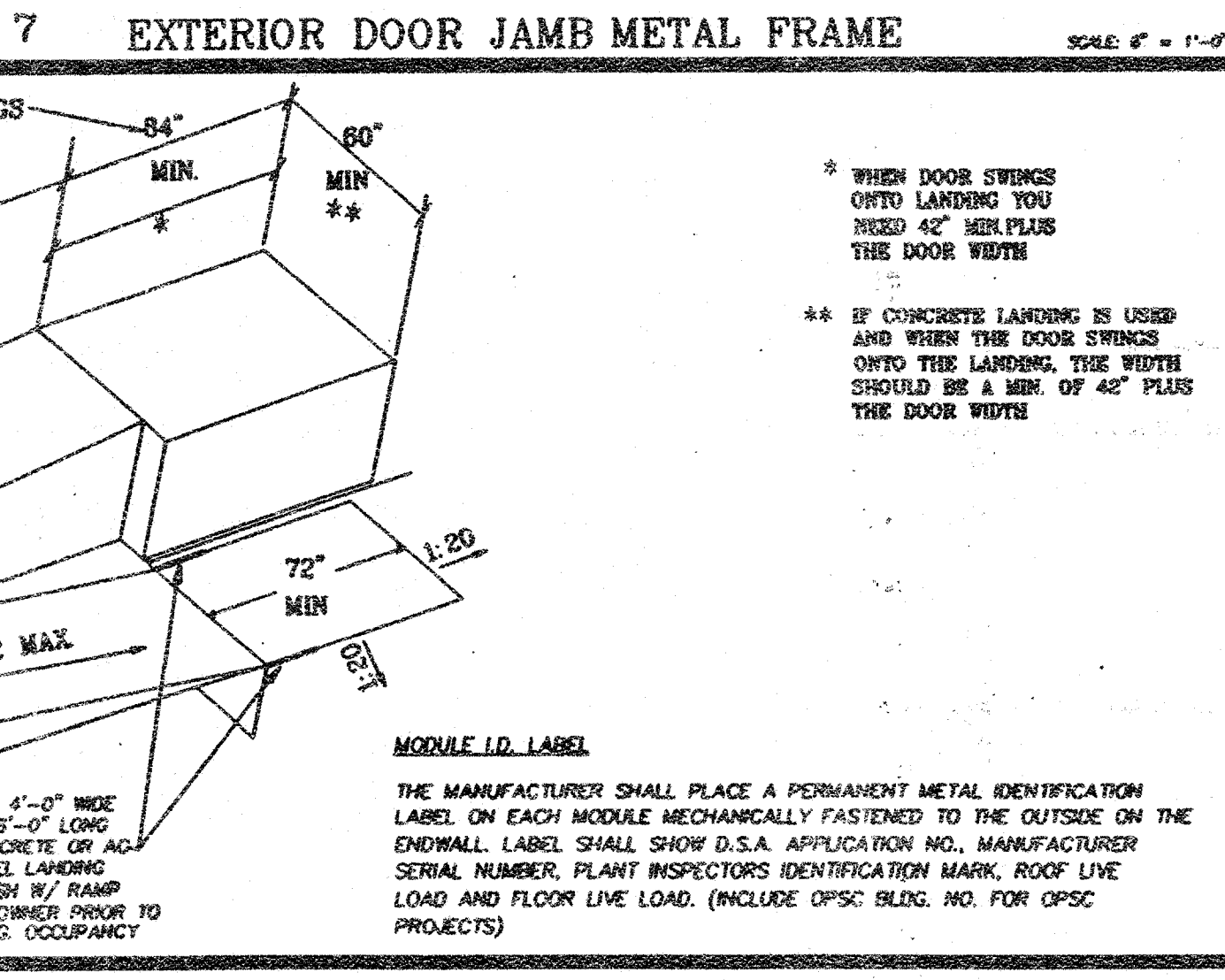
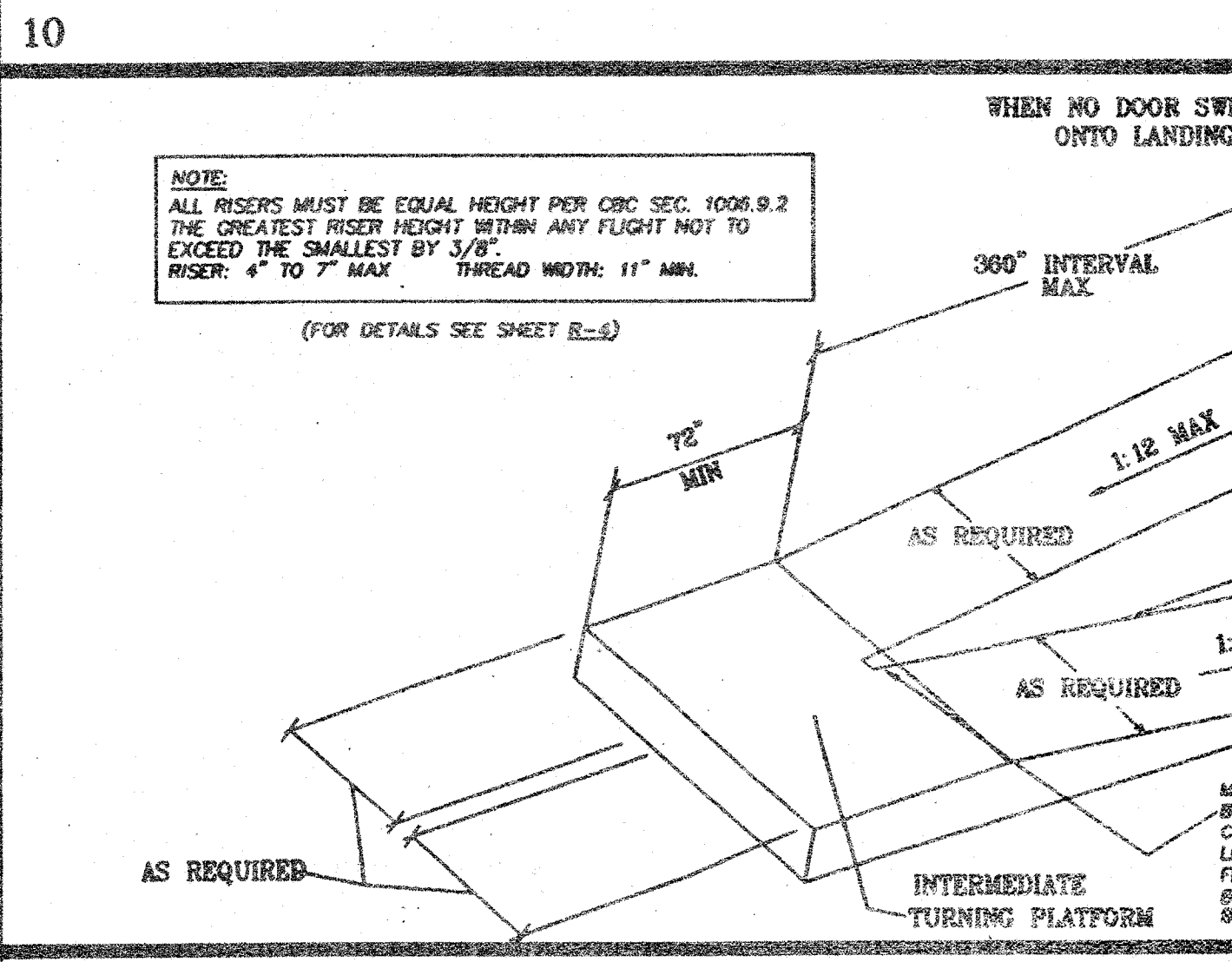
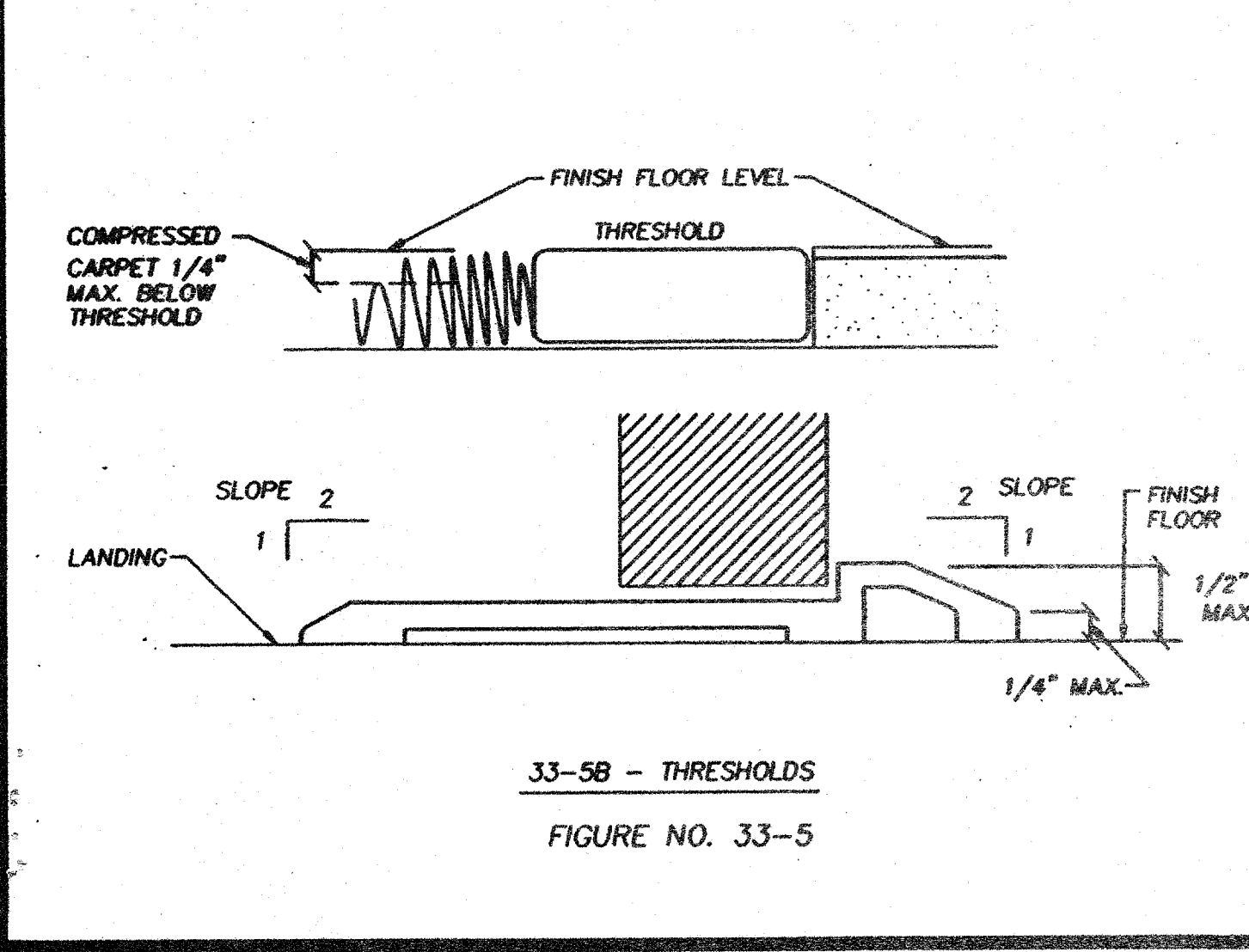
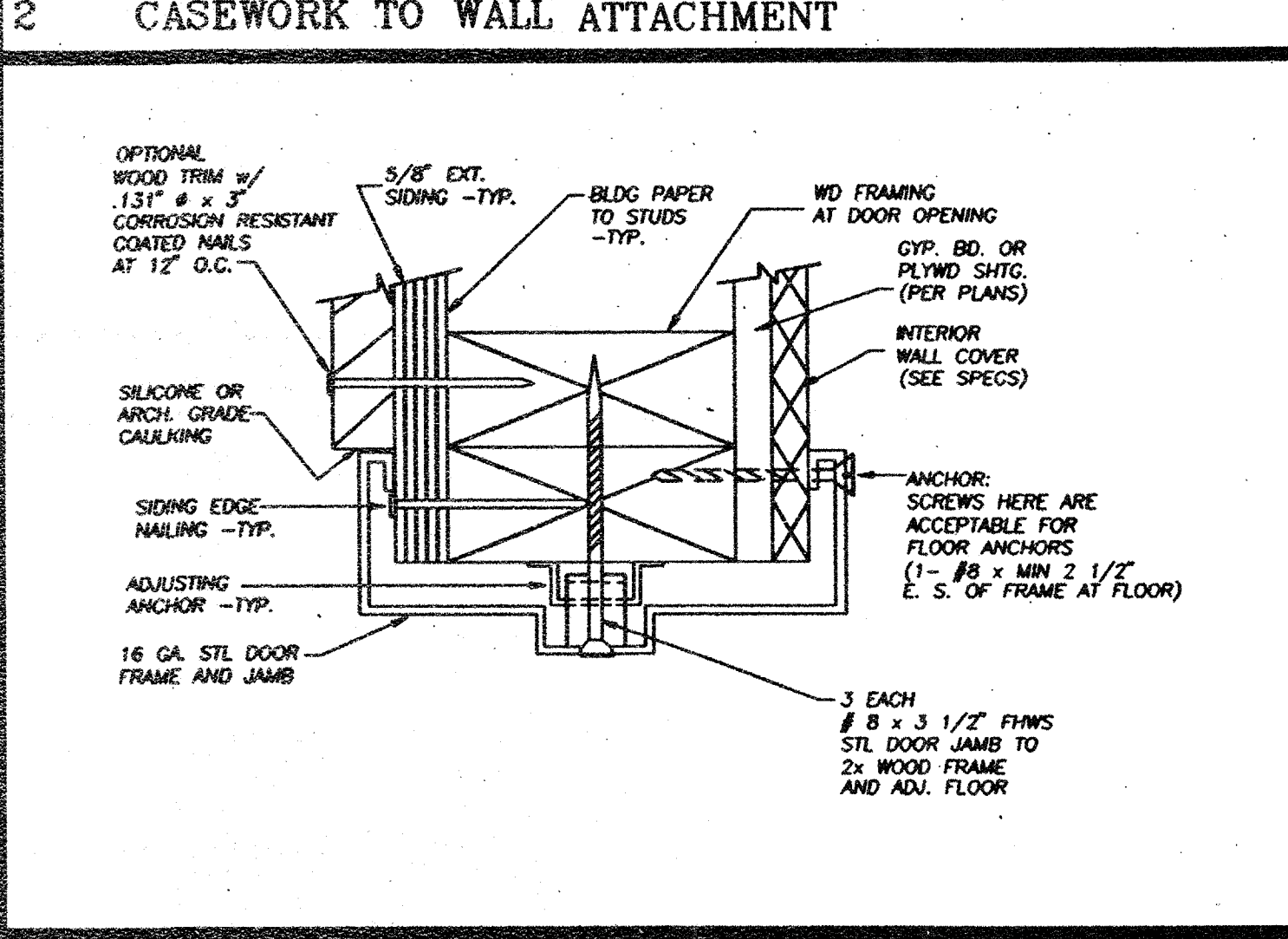
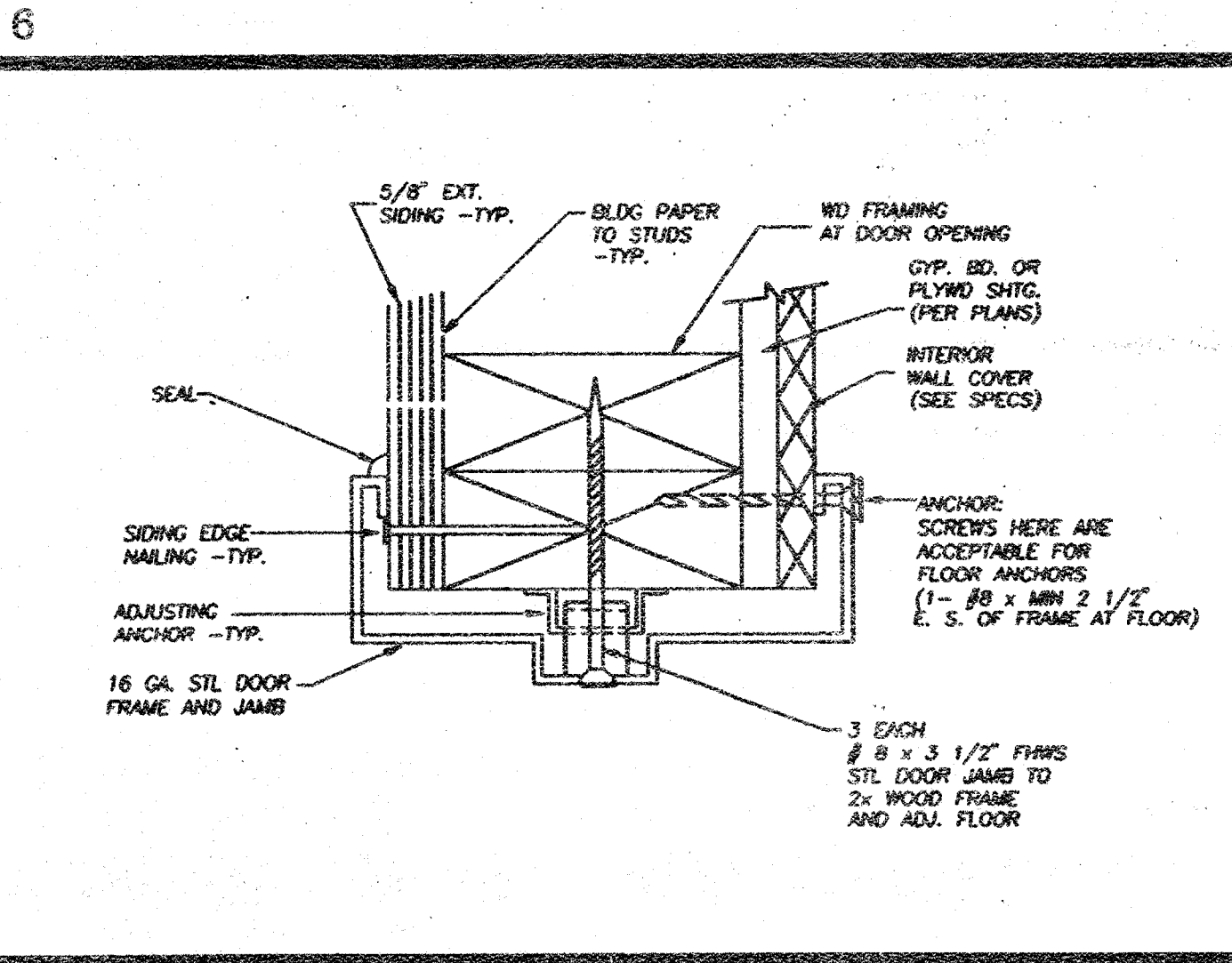
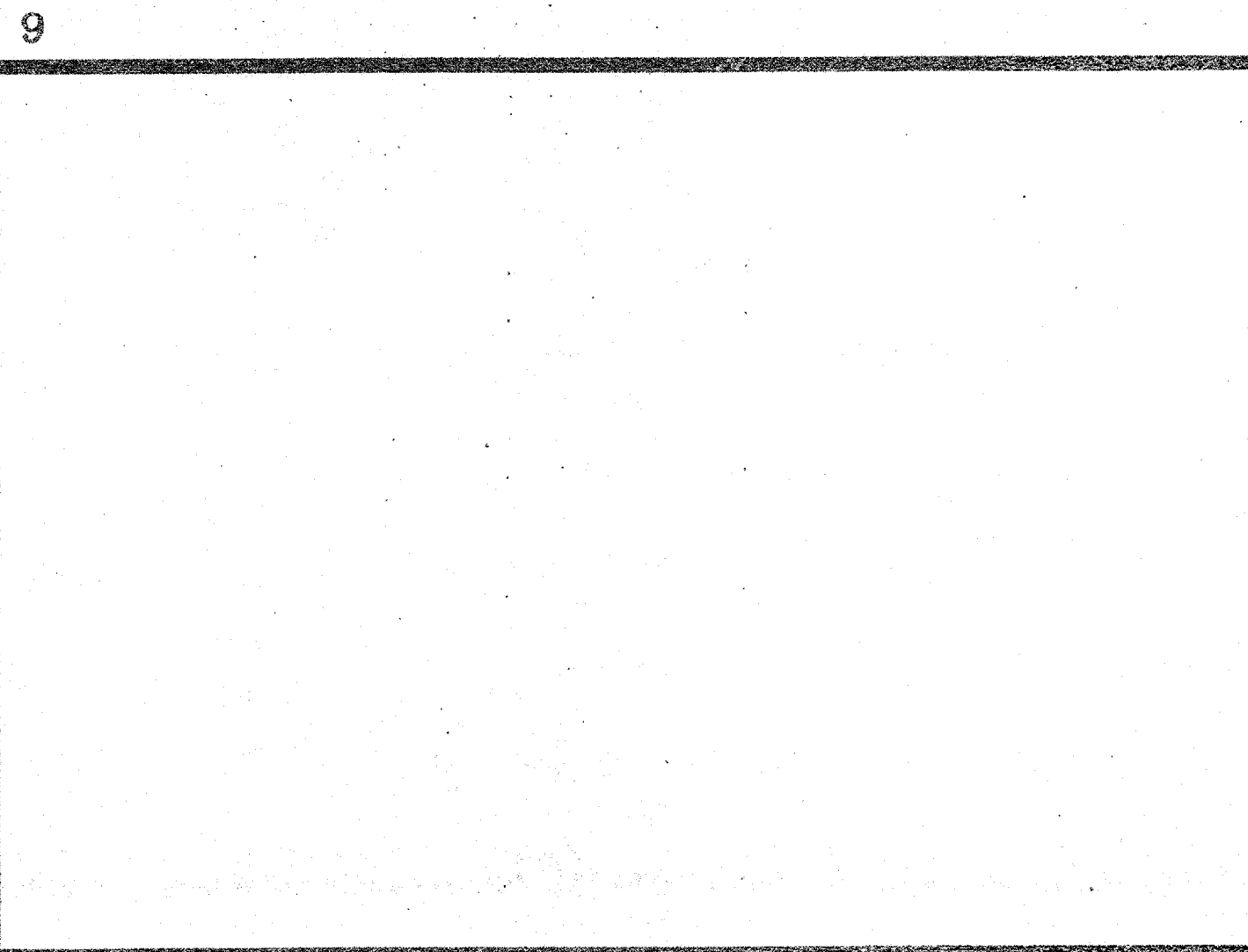
THIS DIAGRAM ILLUSTRATES THE SPECIFIC REQUIREMENTS OF THESE REGULATIONS AND IS INTENDED ONLY AS AN AID FOR BUILDING DESIGN AND CONSTRUCTION, NOT AS AN ILLUSTRATION OF A SPECIFIC THRESHOLD MODEL OR TYPE.

THRESHOLD - TYPICAL
ALL THRESHOLDS TO CONFORM TO DIMENSIONS IN FIGURE 33-5B

DOOR HARDWARE: EXIT DOORS SHALL BE OPERABLE FROM THE INSIDE WITHOUT THE USE OF A KEY OR ANY OTHER SPECIAL KNOWLEDGE OR EFFORT. LATCHING AND LOCKING DEVICES THAT ARE HAND-ACTIVATED AND WHICH ARE IN A PATH OF TRAVEL, SHALL BE OPERABLE WITH A SINGLE-EFFORT BY LEVER HARDWARE (NOT TO EXCEED 8.5 LBS. FOR EXTERIOR DOORS, 5 LBS. FOR INTERIOR DOORS; PANIC BARS, PUSH-PULL ACTIVATING BARS, OR OTHER HARDWARE DESIGNED TO PROVIDE PASSAGE WITHOUT REQUIRING THE ABILITY TO GRASP THE OPENING HARDWARE.

CALIFORNIA BUILDING CODE, SECTION 1004.3, 1004.4

FOR HARDWARE: SEE SPECIFICATION SHEET.



14

11 RAMP WITH INTERMEDIATE SWITCH-BACK PLATFORM

7 EXTERIOR DOOR JAMB METAL FRAME SCALE: 6" = 1'-0"

3 EXTERIOR DOOR JAMB METAL FRAME WITH TRIM SCALE: 6" = 1'-0"

ARCHITECT APPROVAL

STRUCTURAL ENGINEERS STAMP

STATE AGENCY APPROVAL

STATE AGENCY APPROVAL

MSI
MODULAR STRUCTURES INTERNATIONAL, INC.
920 CITRUS AVE. RIVERSIDE, CALIFORNIA 92507
PHONE: (909) 788-3035 FAX: (909) 788-1523

PROJECT
24'x40', 36'x40', & 48'x40'
MODULAR CLASSROOM BUILDING

TITLE
ARCHITECTURAL STANDARD DETAILS

JOB #
DATE 12-8-97
DRAWN BY R.D.L.
SCALE NONE
APPROVED
REVISIONS
SHEET NO. G-3

PC-