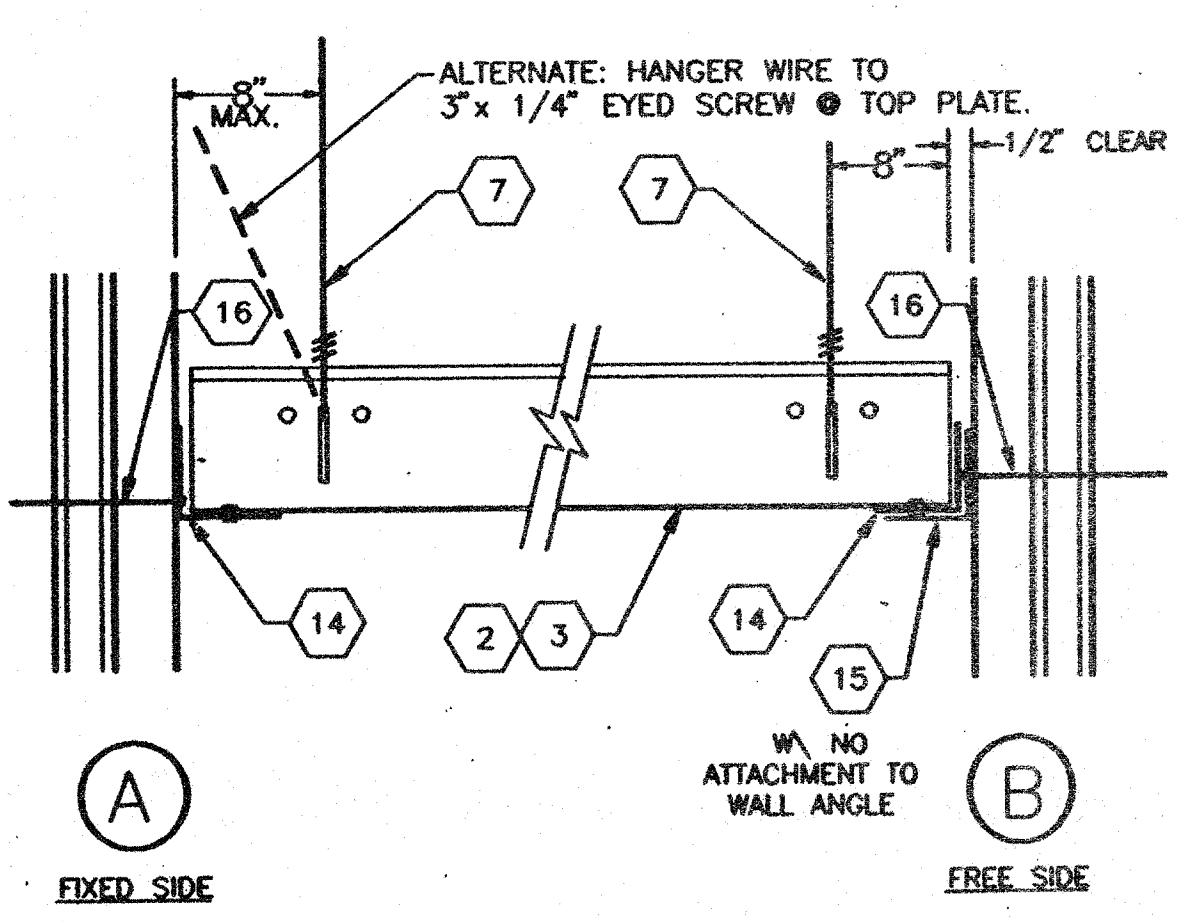
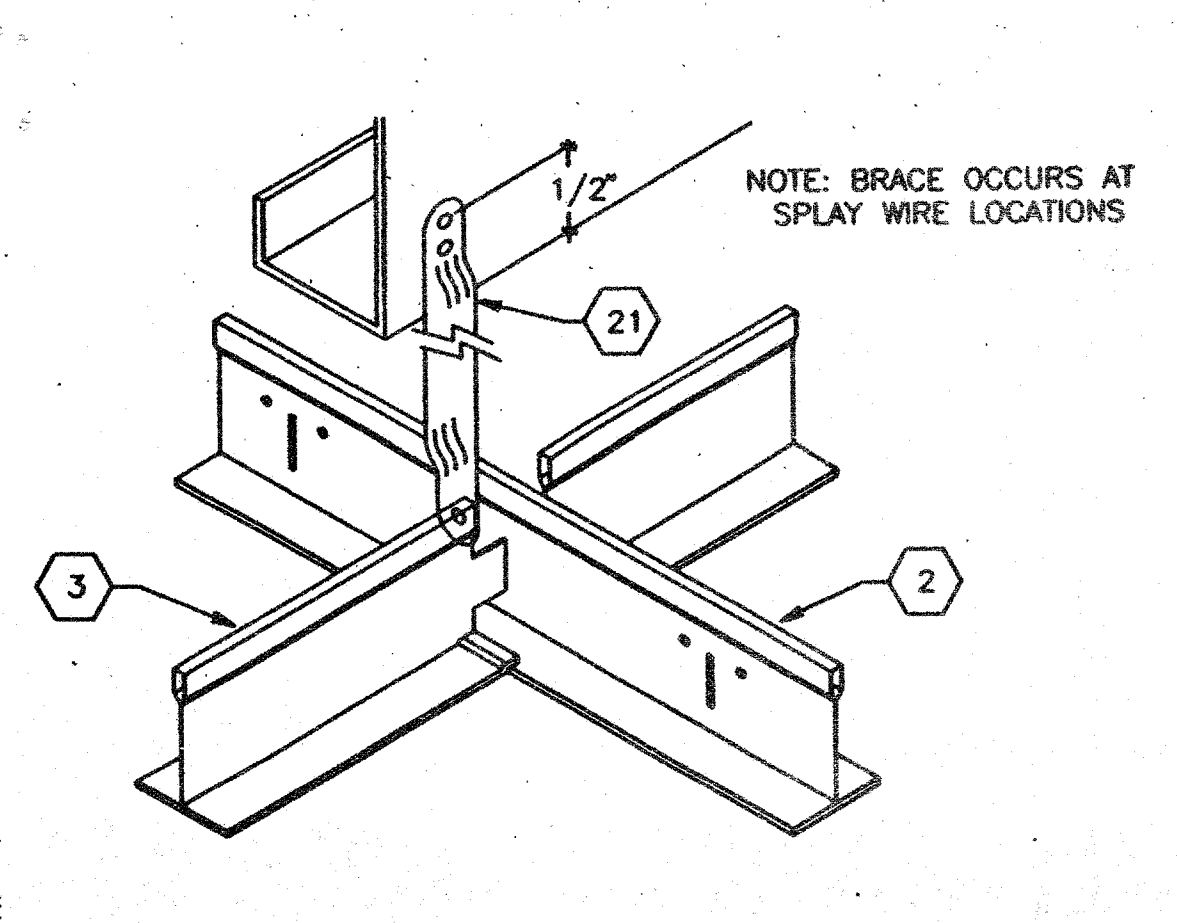


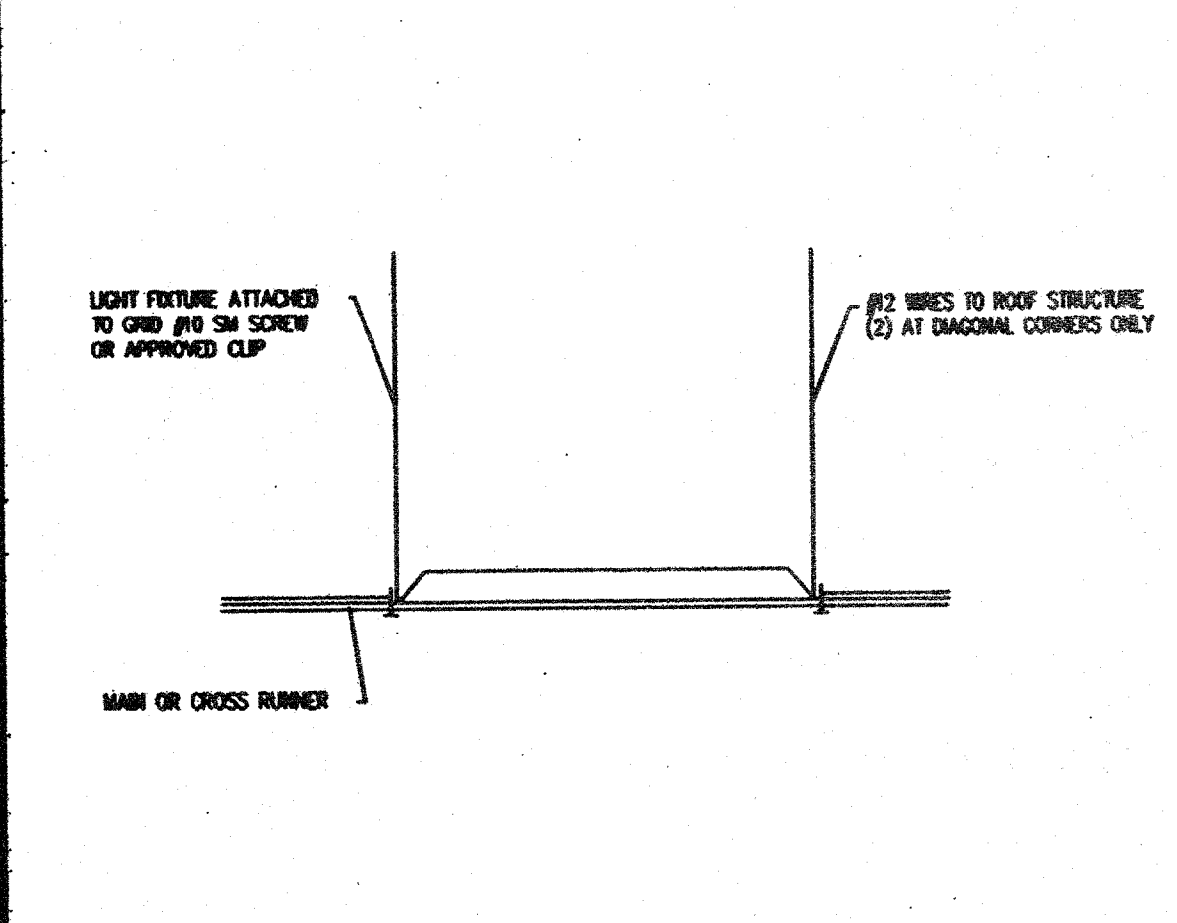
1 SPLAY WIRE



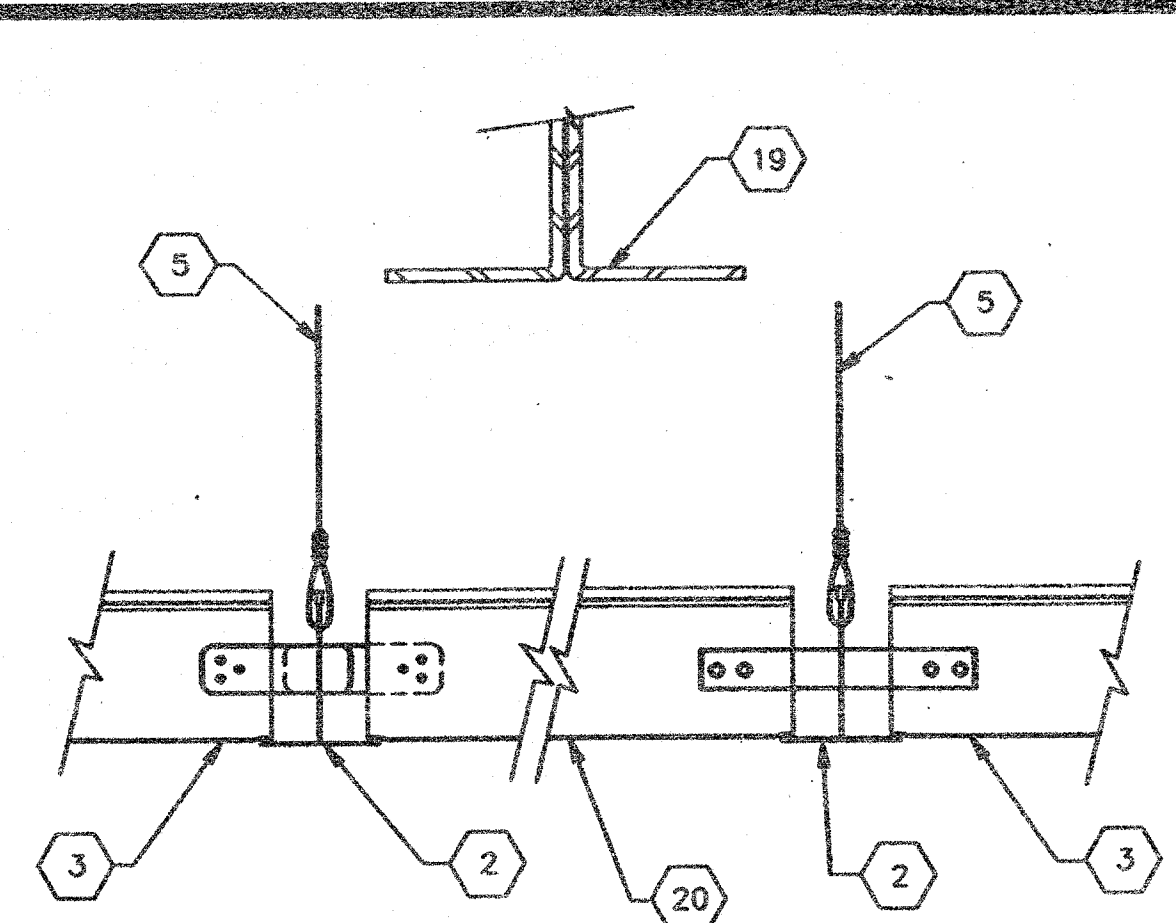
3 GRID AT WALL



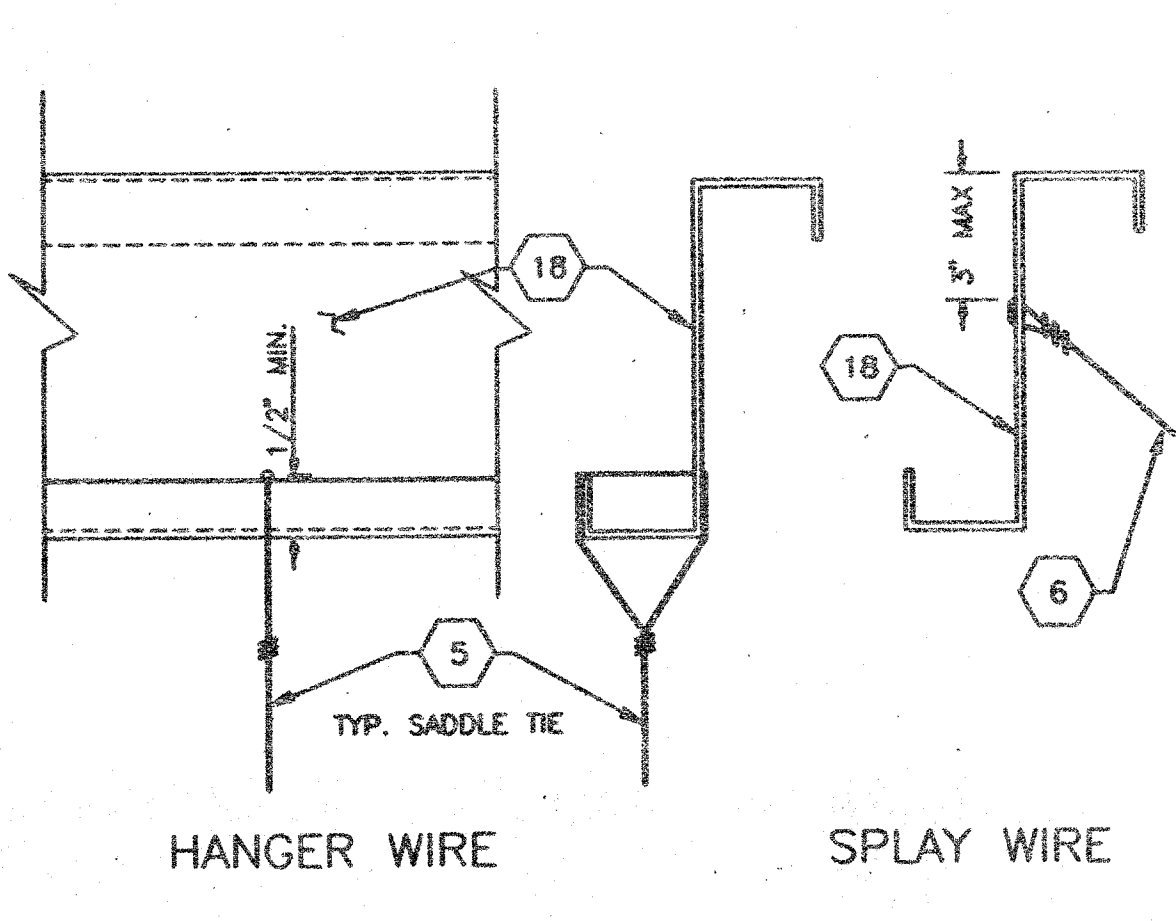
5 VERTICAL BRACE



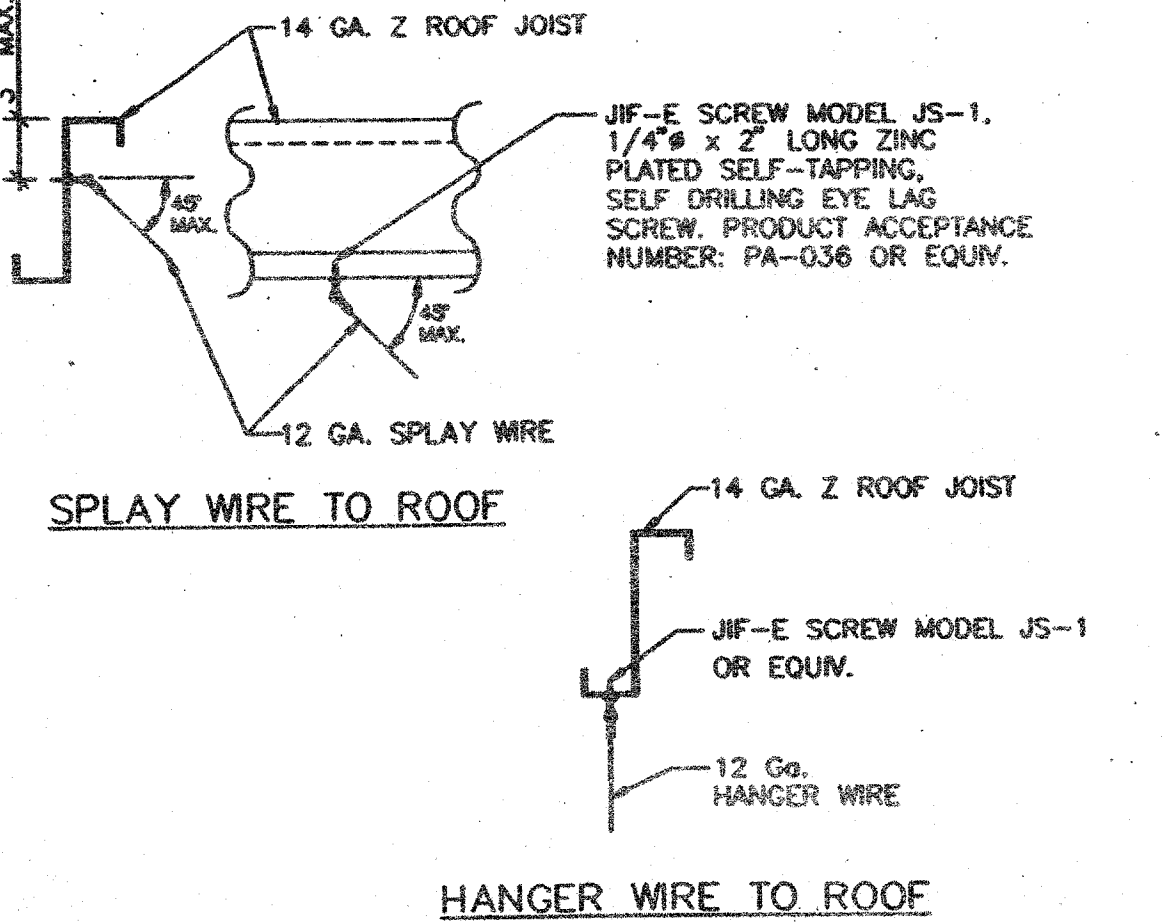
7 LIGHTING FIXTURE DETAIL



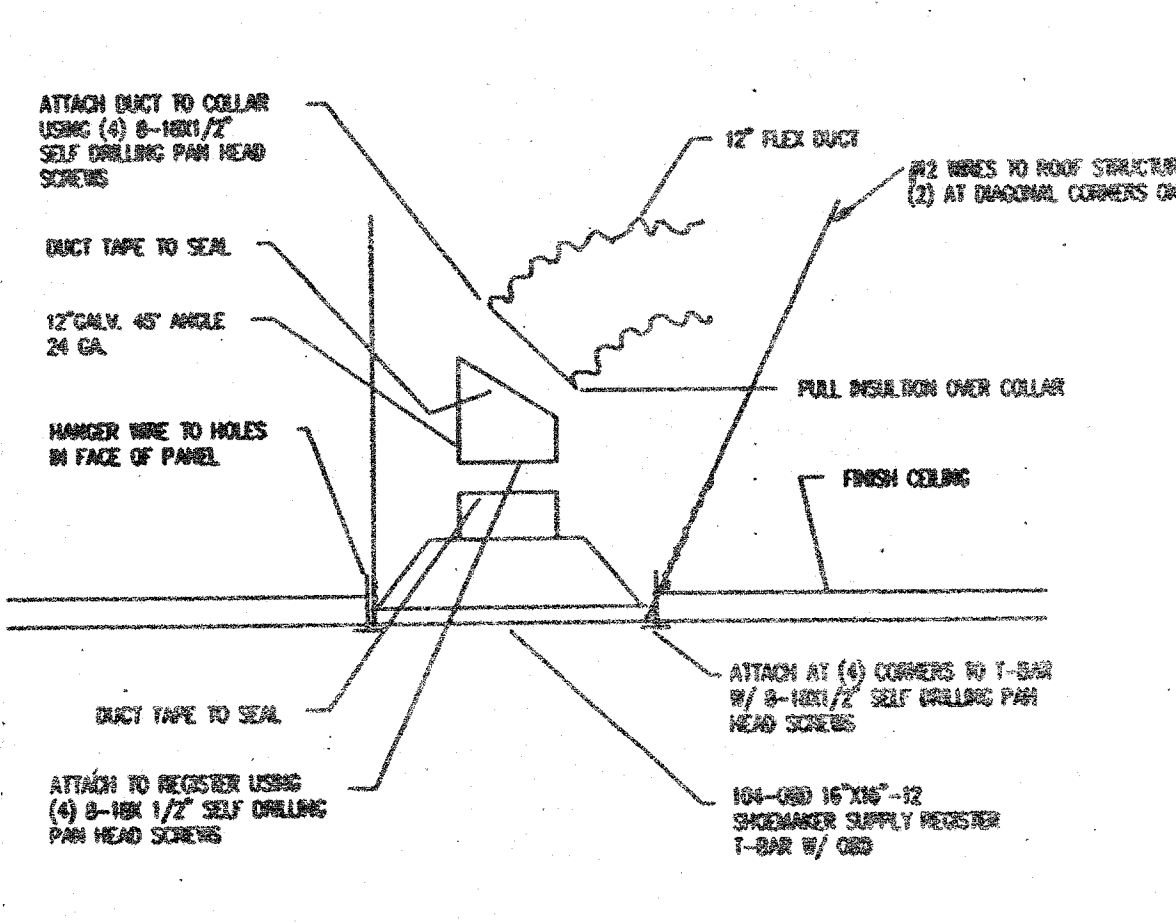
2 GRID AT MODLINE



4 WIRE ATTACHMENT



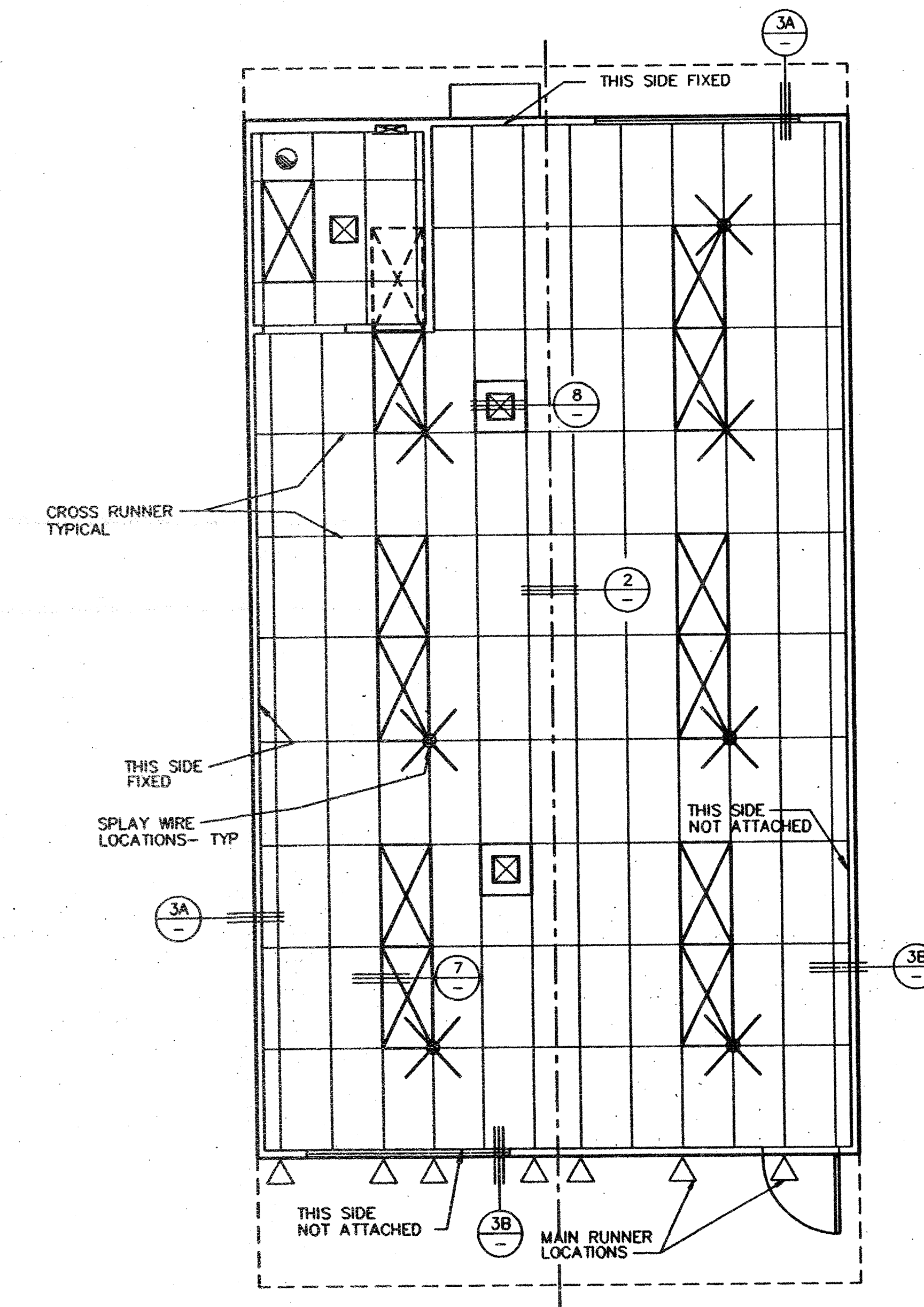
6 ALTERNATE WIRE ATTACHMENT



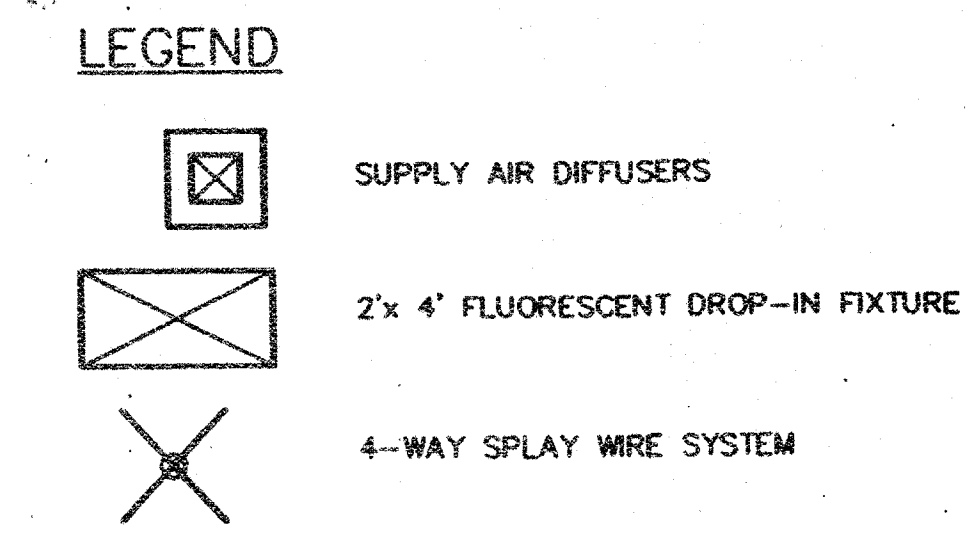
8 REGISTER BOX DETAIL

KEY NOTES

- 1 MAIN RUNNERS @ 4'-0" O.C. WITH HANGER WIRES SPACED @ 4'-0" O.C. MAX.
- 2 MAIN RUNNER: DONN CORP. DX-26 HEAVY DUTY
- 3 CROSS RUNNER: DONN CORP. DX0-424 HEAVY DUTY
- 4 WALL RUNNER: DONN CORP. M7-EV
- 5 TYPICAL HANGER WIRE TO BE 12 Gg. STEEL WIRE ATTACHED TO STRUCTURE ABOVE AND TO GRID WITH (3) TIGHT TURNS WITHIN 1 1/2" - SEE DETAIL 4
- 6 TYPICAL SPLAY WIRE TO BE 12 Gg. STEEL WIRE ATTACHED TO STRUCTURE ABOVE AND TO GRID WITH (4) TIGHT TURNS WITHIN 1 1/2" - SEE DETAIL 4
- 7 AT END OF ROWS OF RUNNERS, A HANGER WIRE SHALL BE ATTACHED WITHIN 8" (OF ANY WALL OR SOFFIT.) OR 1/4 LENGTH OF END TEE WHICHEVER IS LEAST
- 8 VERTICAL WIRES MORE THAN 1:6 OUT OF PLUMB SHALL HAVE COUNTERBALANCE WIRES INSTALLED. ADJOINING WALLS; AT OTHER WALLS NO ATTACHMENT. A 1/2" CLEARANCE BETWEEN END OF RUNNER AND FACE OF WALL. WIRES INSTALLED AS INDICATED ON PLAN. SPLAY WIRES SHALL BE TAUT BUT NOT DISTORT.
- 9 RUNNERS MAY BE ATTACHED TO WALL MOLDING AT (2) ADJOINING WALLS; AT OTHER WALLS NO ATTACHMENT. WHERE THERE IS NO ATTACHMENT THERE SHALL BE A 1/2" CLEARANCE BETWEEN END RUNNER AND FACE OF WALL.
- 10 CEILING AREAS EVERY 144 SQ. FT. OR LESS SHALL HAVE SPLAY WIRES INSTALLED AS INDICATED ON CEILING PLAN. SPLAY WIRES SHALL BE TAUT BUT SHALL NOT DISTORT GRID.
- 11 ELECTRICIAN SHALL PROVIDE (2) SLACK HANGER WIRES AT OPPOSITE CORNERS OF ALL LIGHT FIXTURES. WIRES SHALL BE ATTACHED TO STRUCTURE ABOVE PER NOTE 5. LIGHT FIXTURES SHALL BE ATTACHED TO CEILING GRID WITH (2) #8 SHEET METAL SCREWS.
- 12 DUCTWORK, IF REQUIRED, SHALL BE RIGIDLY ATTACHED TO STRUCTURE ABOVE AT INTERVALS NOT TO EXCEED 4'-0" AND SHALL NOT BE CLOSER THAN 6" TO ANY WIRE.
- 13 CEILING REGISTERS, WHEN INDICATED ON PLANS, SHALL BE ATTACHED TO STRUCTURE ABOVE PER NOTE 5.
- 14 CONT. WALL ANGLE WITH POP RIVET TO EACH MEMBER.
- 15 CONTINUOUS WALL ANGLE.
- 16 6d NAIL @ 16" O.C. INTO BLOCK OR STUD.
- 17
- 18 ROOF JOIST
- 19 ROOF BEAM
- 20 CLOSE OFF CROSS TEE - INSERT ONE END OF CROSS TEE INTO MAIN RUNNER WITH BAYONET. CUT OPPOSITE END TO FIT (IF LESS THAN 24"). INSERT MIN. 20 g. MTL. STRAP THRU MAIN RUNNER, SECURE TO CROSS TEE W/ (2) #8 TEX SCREWS AT EACH END.
- 21 VERTICAL BRACE - 1/2" STEEL CONDUIT AT SPLAY WIRE LOCATIONS. DRILL 1/8" HOLE THRU CONDUIT AT TOP & BOTTOM. ATTACH CONDUIT TO JOIST ABOVE OR TO BLOCKING W/ (2) #8 SCREWS.



REFLECTED CEILING PLAN



THIS DRAWING AND THE MATERIAL CONTAINED THEREIN ARE THE PROPERTY OF M.S.I. INC. AND SHALL NOT BE REPRODUCED OR TRANSMITTED IN ANY FORM OR BY ANY MEANS, ELECTRONIC OR MECHANICAL, INCLUDING PHOTOCOPYING, RECORDING, OR BY ANY INFORMATION STORAGE AND RETRIEVAL SYSTEM, WITHOUT THE WRITTEN CONSENT OF M.S.I. INC. ALL PATENTABLE MATERIAL CONTAINED HEREIN AND ORIGINATING WITH M.S.I. INC. SHALL BE THE PROPERTY OF M.S.I. INC. MATERIAL CONTAINED HEREIN IS THE PROPERTY OF M.S.I. INC.

MSI
MODULAR STRUCTURES INTERNATIONAL, INC.
920 CITRUS AVE. RIVERSIDE, CALIFORNIA 92507
PHONE: (909) 788-3035 FAX: (909) 788-1523

ARCHITECT APPROVAL

STRUCTURAL ENGINEERS STAMP

AGENCY TRACKING NO. 63321-154
FILE NO. 15-6
REGISTRATION STAMP
DIV. OF THE STATE ARCHITECT
OFFICE OF REGULATION SERVICES
03-117255
AC / P.S. / SS / JY
DATE 6/21/2016
LICENSE EXPIRES 6-30-2020

STATE AGENCY APPROVAL

STATE AGENCY APPROVAL

PROJECT
24'x40' MODULAR CLASSROOM BUILDING
TITLE
REFLECTED CEILING PLAN

JOB #
DATE 12-8-97
DRAWN BY R.D.L.
SCALE
APPROVED
REVISIONS

SHEET NO.
A-6-24