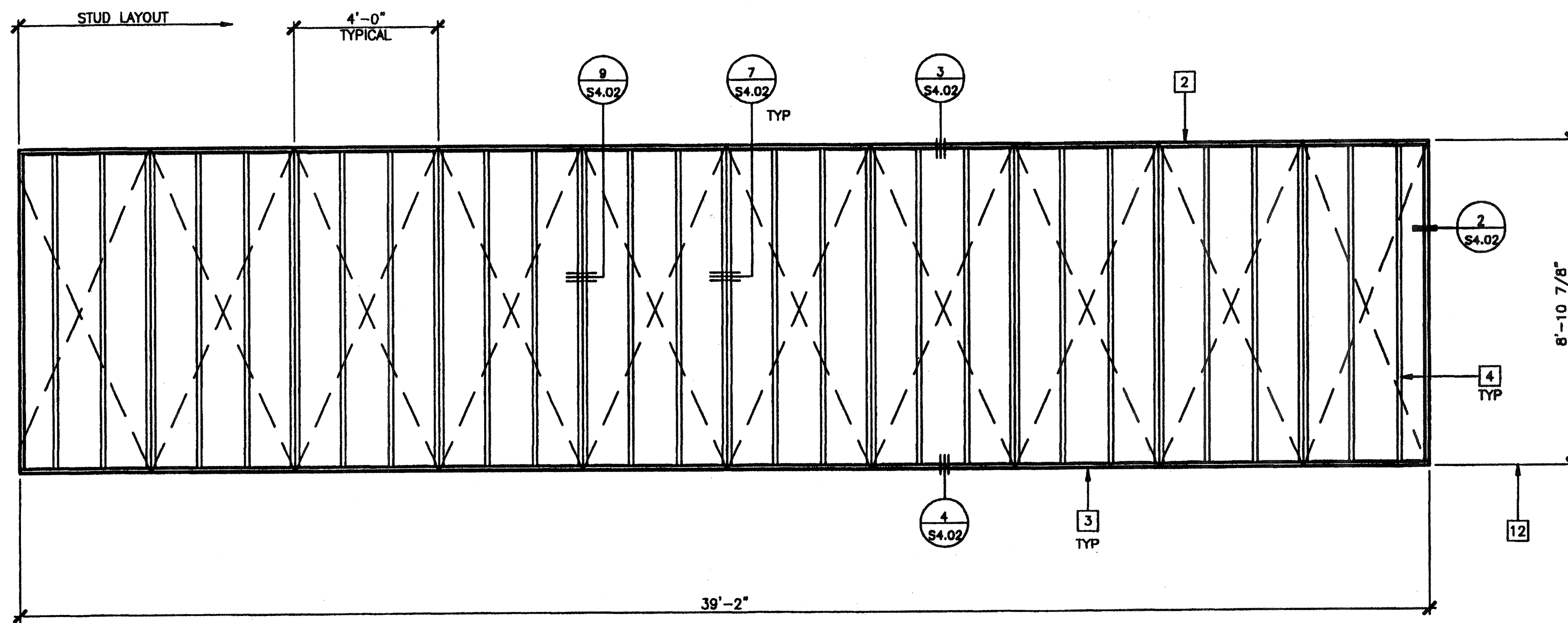
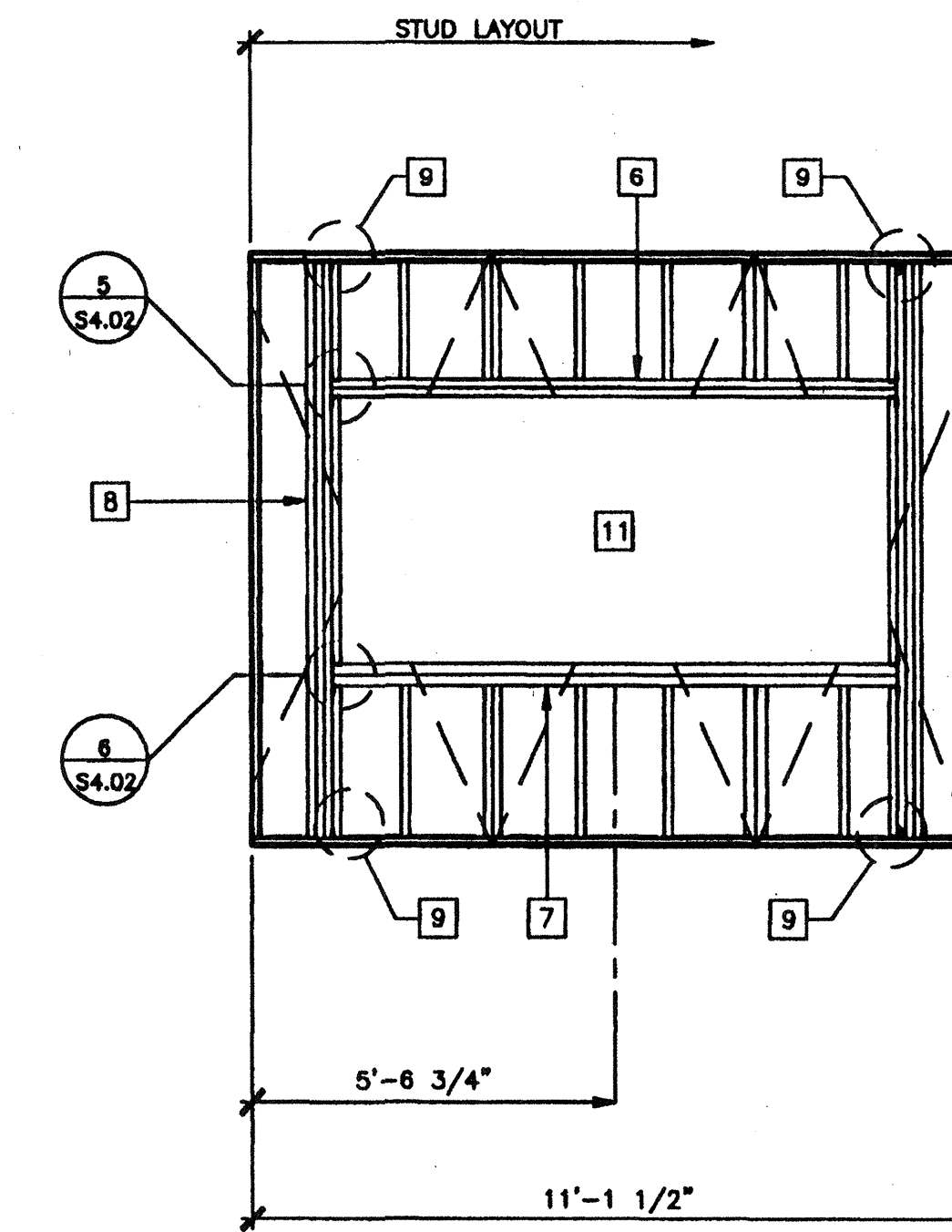


**KEY NOTES**

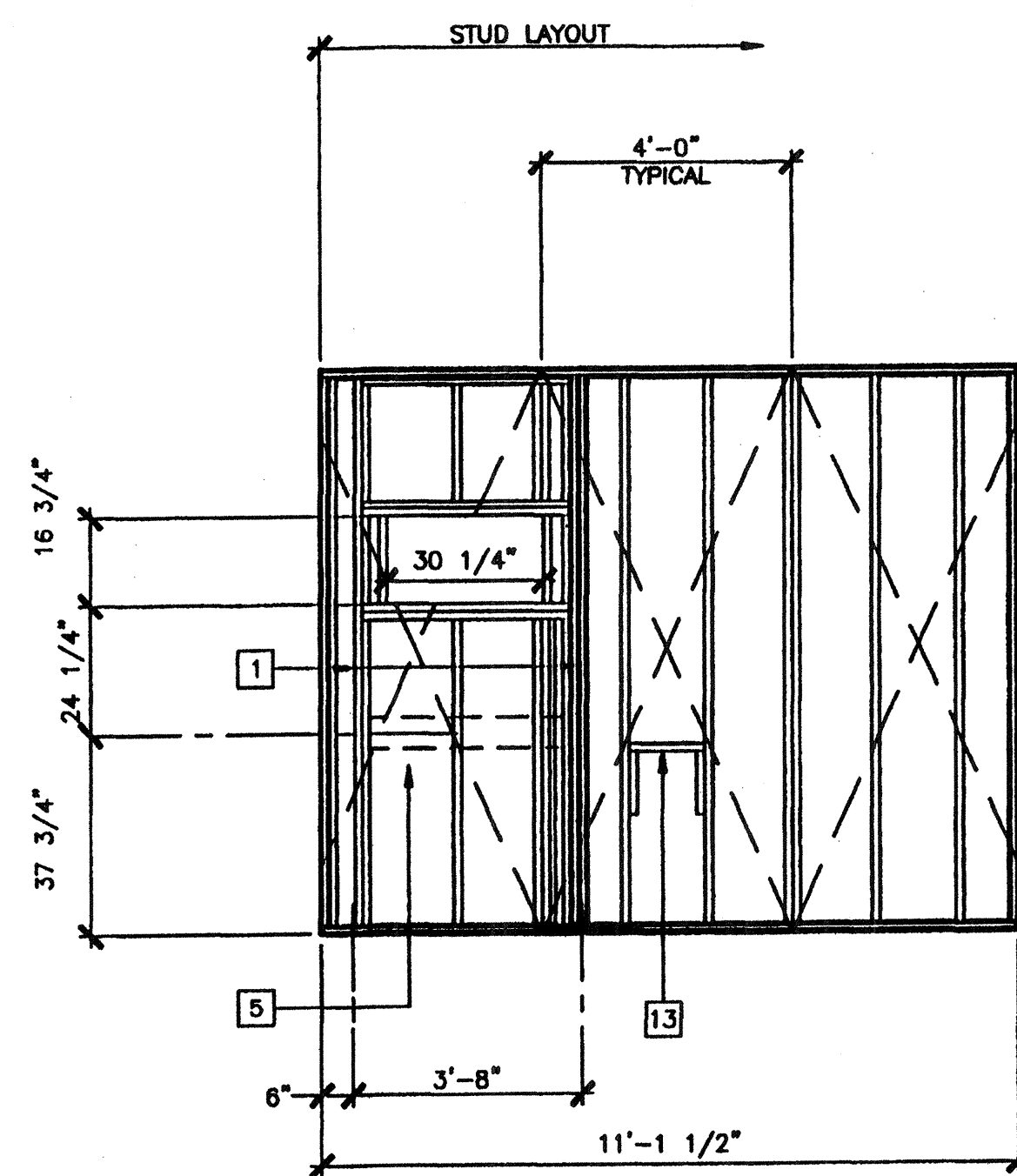
- 1 4"x4" POST
- 2 2"x4" TOP PLATE
- 3 2"x4" FLOOR SILL PLATE
- 4 2"x4" STUDS AT 16" OC TYPICAL - FOR BUILDINGS EXCEEDING 2100 SF ONLY USE 12" OC SPACING WITHIN 4'-0" OF BUILDING CORNERS
- 5 2"x6" LET IN FOR AC SUPPORT
- 6 2"x4" HEADER - 13/S4.02
- 7 2"x4" SILL - 13/S4.02
- 8 2"x4" FULL HEIGHT KING STUDS AND 2"x4" TRIMMER 13/S4.02
- 9 A 34 CLIPS AT HEADER AND SILL TO FULL HEIGHT STUDS AND FULL HEIGHT STUDS TO TOP AND BOTTOM PLATES
- 10 REQUIRED OPENING FOR A 3068 DOOR - 13/S4.02
- 11 REQUIRED OPENING FOR A 8040 WINDOW - 13/S4.02
- 12 FINISH FLOOR LINE
- 13 FRAME FOR ELECTRICAL PANEL
- 14 PROVIDE 2x6 FLAT WALL BLOCKING WITH 3-16d BOX NAILS EACH END AT EACH HANDRAIL CONNECTION - 6/R1.01 SEE FLOOR PLAN FOR RAMP LOCATION.



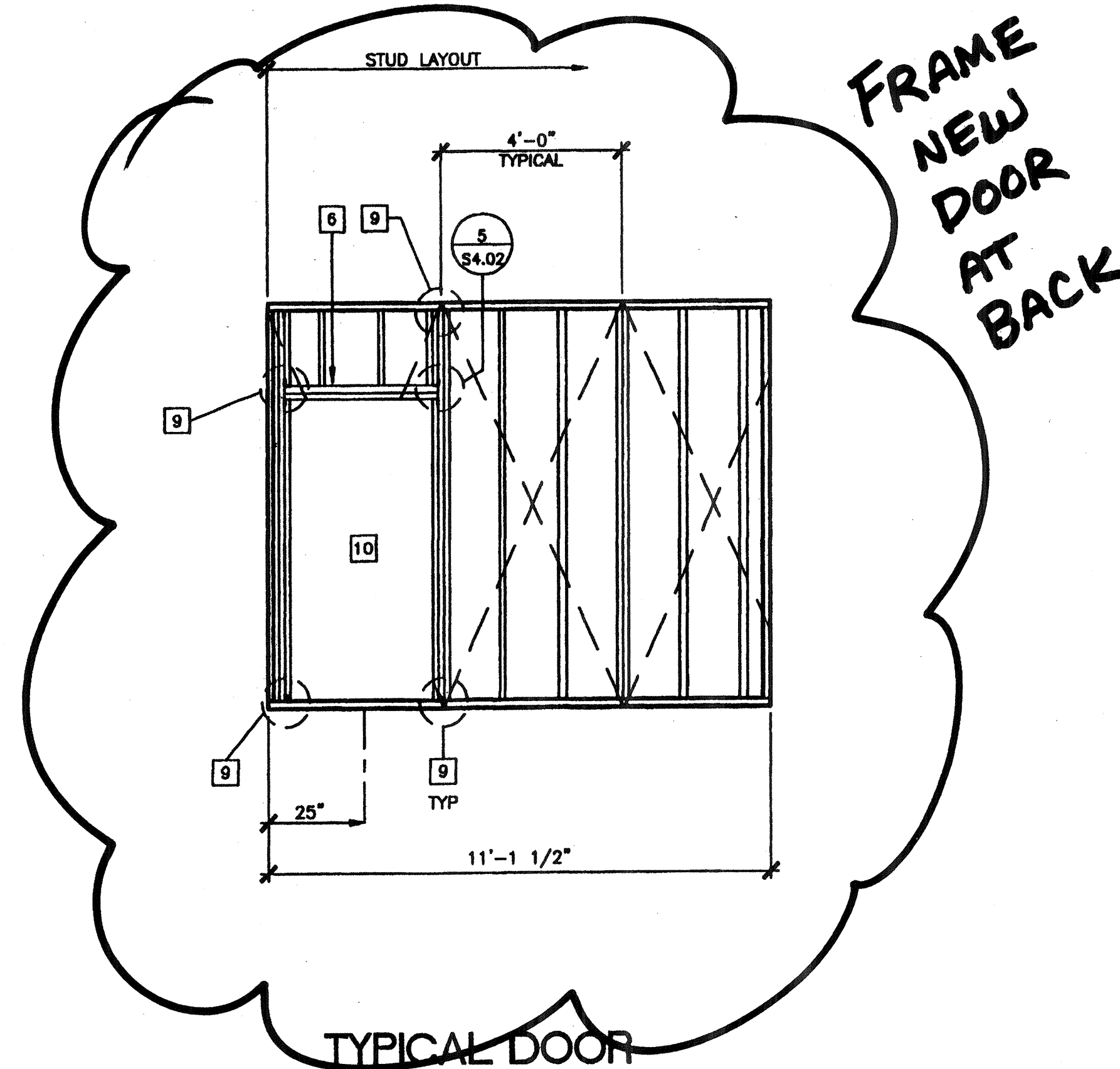
TYPICAL SIDE WALL



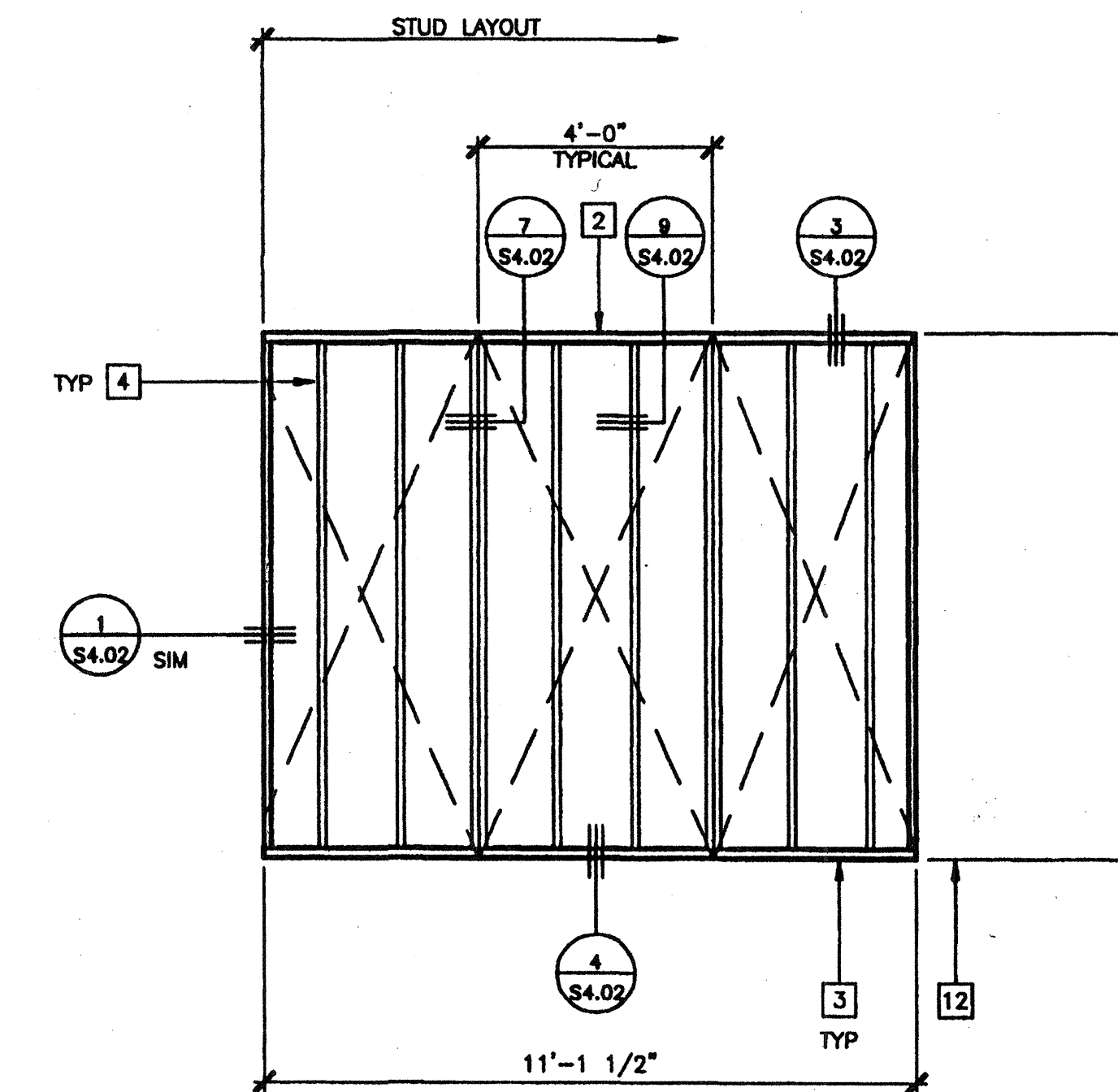
TYPICAL WINDOW



TYPICAL HVAC



TYPICAL DOOR



TYPICAL END WALL

**WALL FRAMING ELEVATIONS**

WOOD STUDS

SCALE: 3/8" = 1'-0"

AGENCY TRACKING NO. 63321-201  
FILE NO. 15-6

IDENTIFICATION STAMP  
DIV. OF THE STATE ARCHITECT  
OFFICE OF REGULATION SERVICES  
03-117283  
AC: FLS SS: PCL  
DATE SEP 10 2016

04 104169  
APR 13 2002

STKP-62

REVISIONS			
NO.	DESCRIPTION	DATE	BY
1	MODTECH ENGINEERING CHANGE	09/28/00	
2			
3			
4			
5			

Electrical Engineer's Seal

Mechanical Engineer's Seal

Structural Engineer's Seal

Architect's Seal  
L. C. EDWARDS  
STATE OF CALIFORNIA  
LICENSE NO. 101268

IDENTIFICATION STAMP  
DIV. OF THE STATE ARCHITECT  
OFFICE OF REGULATION SERVICES  
PC-04  
101268  
DATE OCT 02 2000

MODTECH INC.  
2830 BARRETT AVENUE  
PERRIS, CALIF. 92572  
PH (909) 943-4014  
FAX (909) 940-0427

PROJECT NUMBER: 4134

© MODTECH, INC. 2001  
2- 24x40 STKP# 62 A# 04-104169  
CL# SERIAL # 56028-29, 56032-33  
EDISON ELEMENTARY S.D. 02-09-06

DRAWN BY: M. ANDERSEN  
DATE: APR 15 2002  
CHECKED BY: 4012-121  
DATE: 04-16-02  
MODTECH Index No.

**S4.01**

**WALL FRAMING WOOD STUDS**