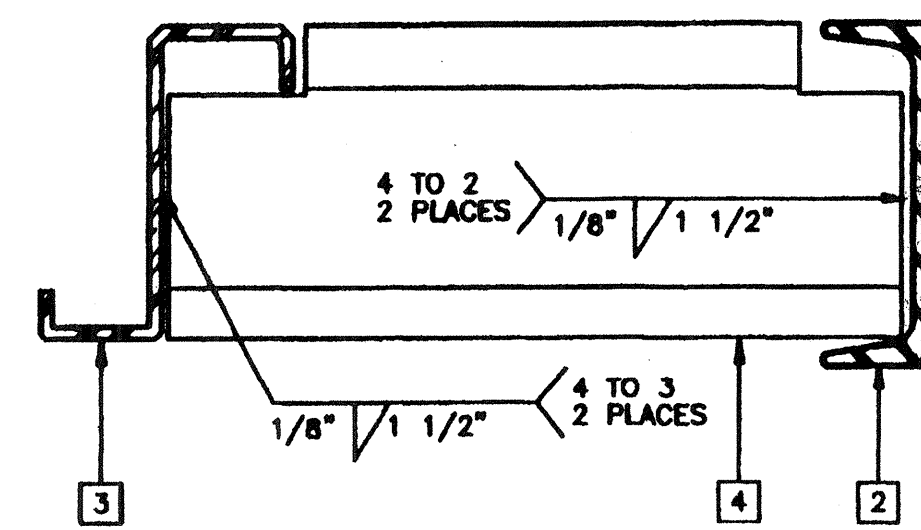


SEE FLOOR JOIST TABLE FOR APPROPRIATE SPACING PER JOB.

FLOOR FRAMING PLAN

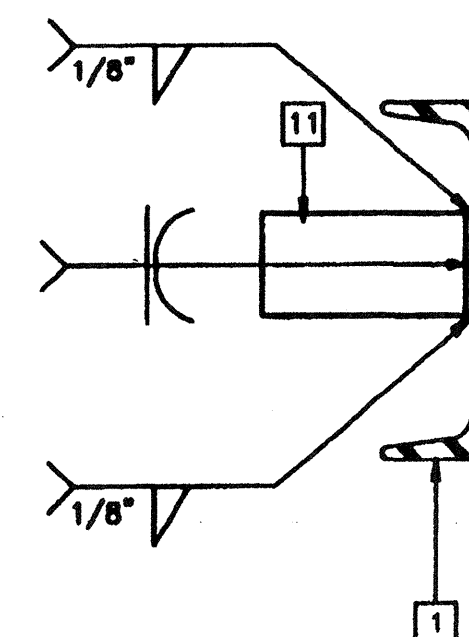
SCALE: 1/4" = 1'-0"

PC
CBC 1998



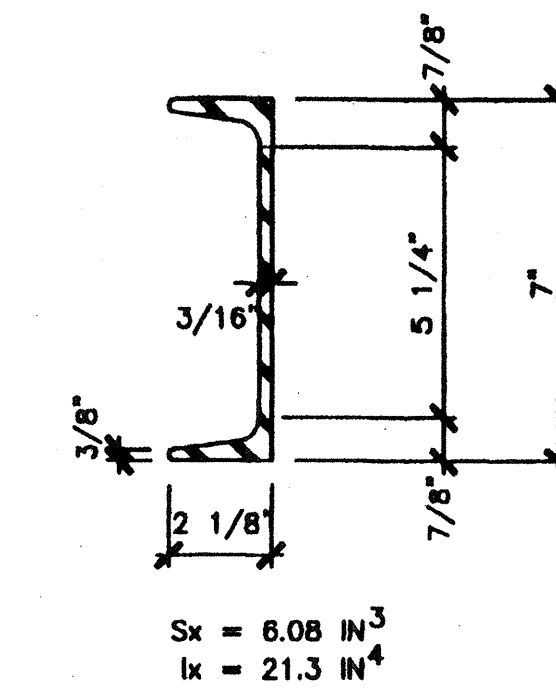
SCALE: NTS

FLOOR HEADER BLOCKING



SCALE: NTS

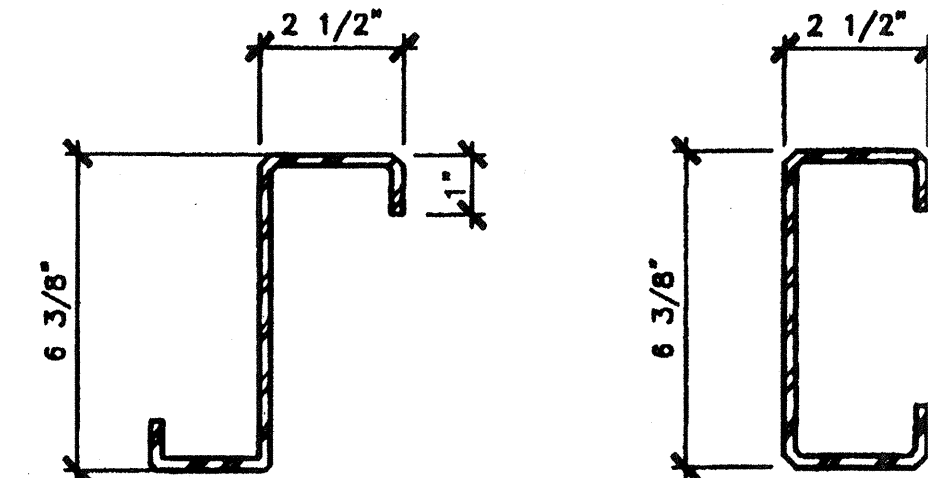
SHIPPING HOLD DOWN



SCALE: NTS

C7x9.8 - ASTM A-36

FLOOR BEAM/HEADER



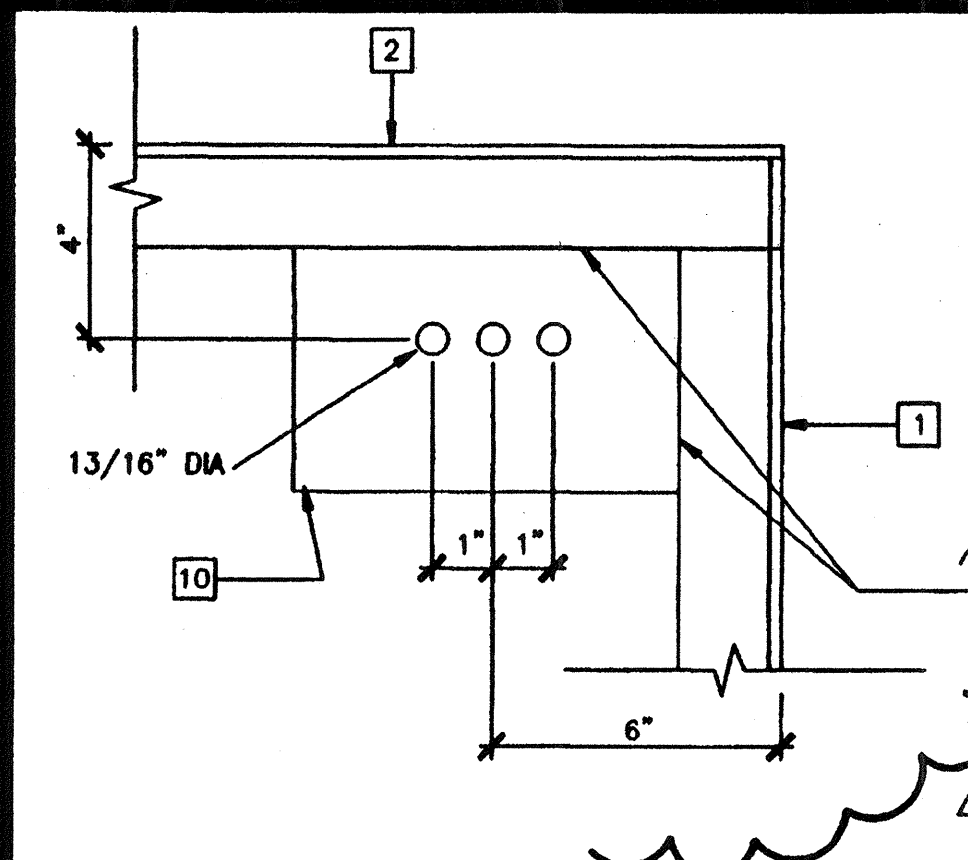
STANDARD JOIST
t=0.105
12 GAUGE
Sx : 2.613 IN³
Ix : 8.328 IN⁴

ALTERNATE JOIST
t=0.105
12 GAUGE
Sx : 2.525 IN³
Ix : 8.049 IN⁴

ASTM A-570, GRADE 33

SCALE: NTS

FLOOR JOIST



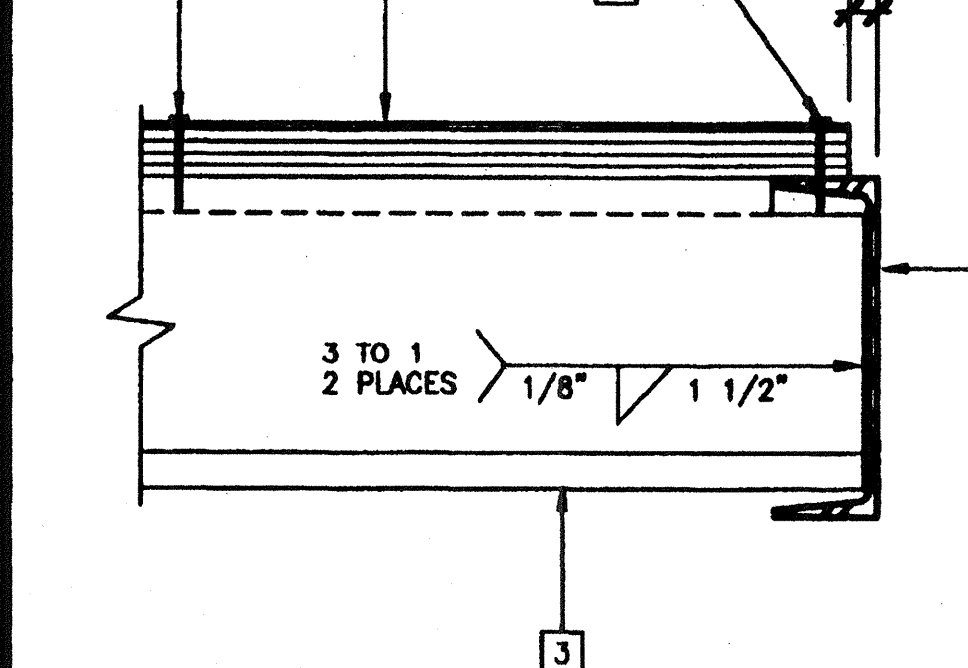
SCALE: NTS

ANCHOR PLATE

(CONCRETE FOUNDATION)

SCALE: NTS

FLOOR JOIST TO FLOOR BEAM



SCALE: NTS

FLOOR JOIST TO FLOOR BEAM

KEY NOTES

- 1 [FLOOR BEAM, COPE TO MATE WITH HEADER - 1/S1.01
- 2 [FLOOR HEADER - 1/S1.01
- 3 J FLOOR JOIST - 2/S1.01
- 4 J BLOCKING AT MIDSPAN OF FLOOR HEADER - 5/S1.01
- 5 1 1/8" HOLE AT MIDDEPTH FOR HANDLING
- 6 1 1/8" MODLINE BOLT HOLE. 2/S3
- 7 5" SQUARE HAND HOLES AT EACH MODLINE BOLT LOCATION
- 8 EDGE NAILING AT FLOOR BEAM OR HEADER - #10x1 3/4" SELF TAPPING FLAT HEAD SCREWS AT 6" OC
- 9 EDGE NAILING OR FIELD NAILING - AEROSMITH AKN.144 DRIVE PINS AT 6" OC, FIELD NAILING TO BE 10" OC FOR PURLIN SPACING OF 32" OR LESS
- 10 5"x8"x1/4" STEEL ANCHOR PLATE. FOR OPTIONAL CONCRETE FOUNDATION ONLY.
- 11 SHIPPING HOLD DOWN - 3 1/2"x3 1/2"x1/4" TUBE STEEL CUT TO 1 3/4" HEIGHT
- 12 PLYWOOD FLOOR SHEATHING: APA PS 1-83, 1 1/8" THICK STURD-I FLOOR WITH 48" OC SPAN RATING; LAYOUT PATTERN SHOWN IS TYPICAL. ~~AS AN ALTERNATE USE WEYBOND W-11 1/8" THICK OSB STURD-I FLOOR PL.~~

AGENCY TRACKING NO. 63321-201
FILE NO. 15-6

IDENTIFICATION STAMP
DIV. OF THE STATE ARCHITECT
OFFICE OF REGULATION SERVICES
03-117283
AC: FLS: SS: PUC
DATE: SEP 13 2016

IDENTIFICATION STAMP
DIV. OF THE STATE ARCHITECT
OFFICE OF REGULATION SERVICES
01 104169
AC: FLS: SS: JP
DATE: APR 18 2002

FLOOR JOIST TABLE

STANDARD CLASSROOM		OPTIONAL UP GRADE TO STIFFEN FLOOR	
LIVE LOAD PSF	JOIST SPACING STANDARD		
50	48"		
50+20	32"		

ADMINISTRATION

STKP-62

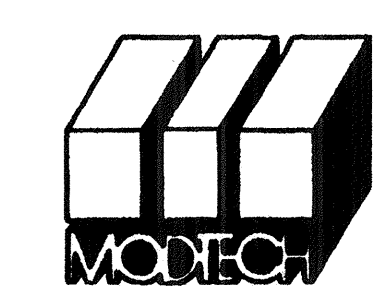
REVISIONS

1	SP	MODTECH ENGINEERING CHANGE	9/21/00
2	SP	MODTECH ENGINEERING CHANGE	09/28/00
3	SP	REVISED FLOOR JOIST TABLE	12/12/00

Electrical Engineer's Seal
Mechanical Engineer's Seal
Structural Engineer's Seal

Architectural Seal
Professional Seal
Architectural Seal

IDENTIFICATION STAMP
DIV. OF THE STATE ARCHITECT
OFFICE OF REGULATION SERVICES
PC-04
101268
AC: FLS: SS: PUC
DATE: SEP 13 2016



MODTECH INC.
2830 BARRETT AVENUE
PERRIS, CALIF. 92572
PH (909) 943-4014
FAX (909) 940-0427

PROJECT NUMBER: 4134 © MODTECH, INC. 2001

DRAWN BY: M. ANDERSEN
DATE: APR 15 2002
CHECKED BY: 4012-121
DATE: 04-16-02
MODTECH Index No.

FLOOR FRAMING PLAN

WOOD FLOOR

S1.01