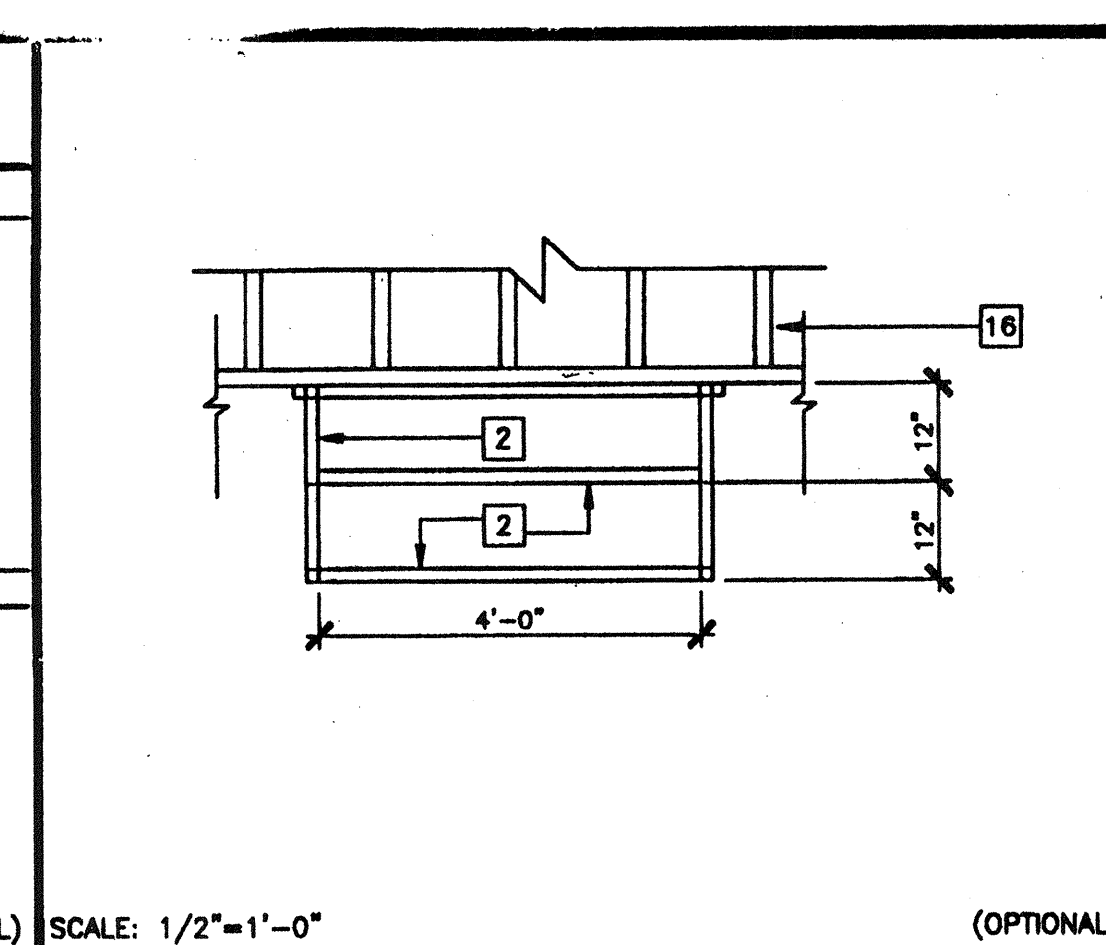
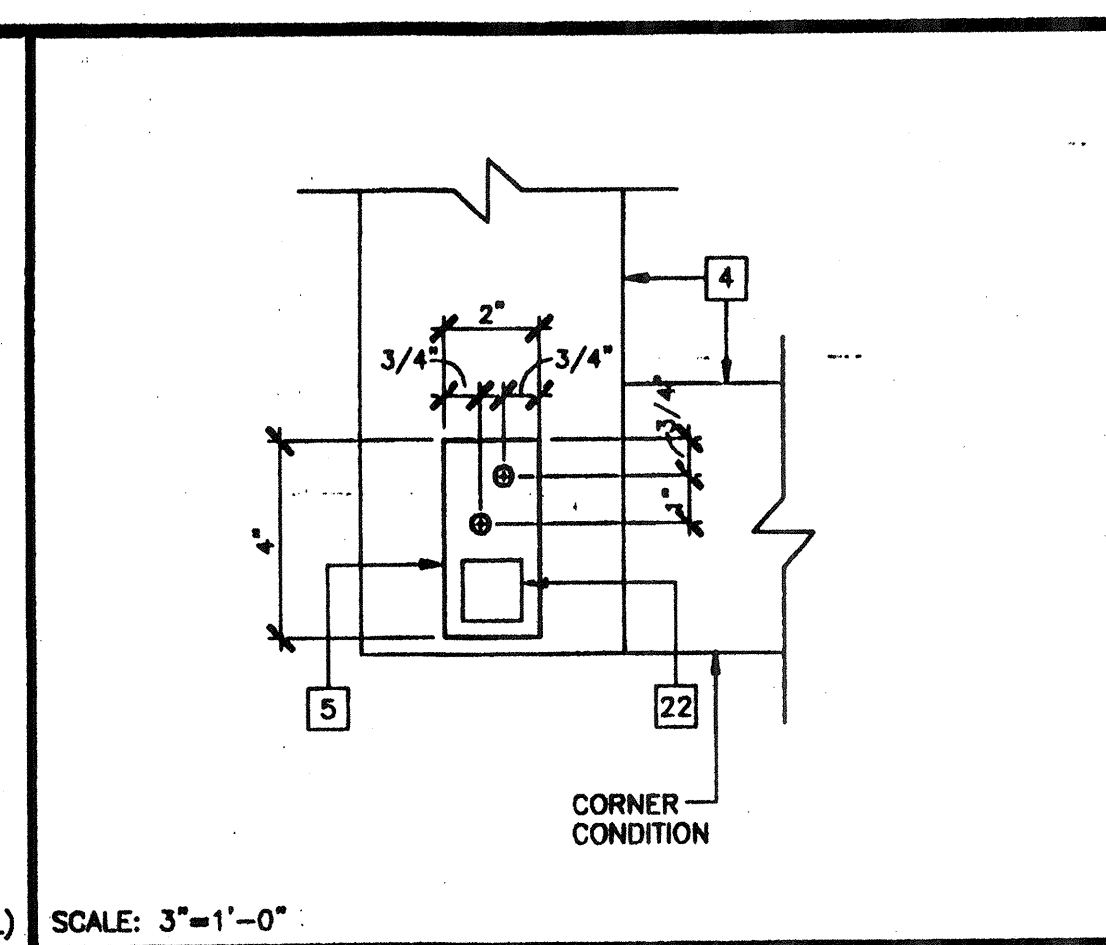


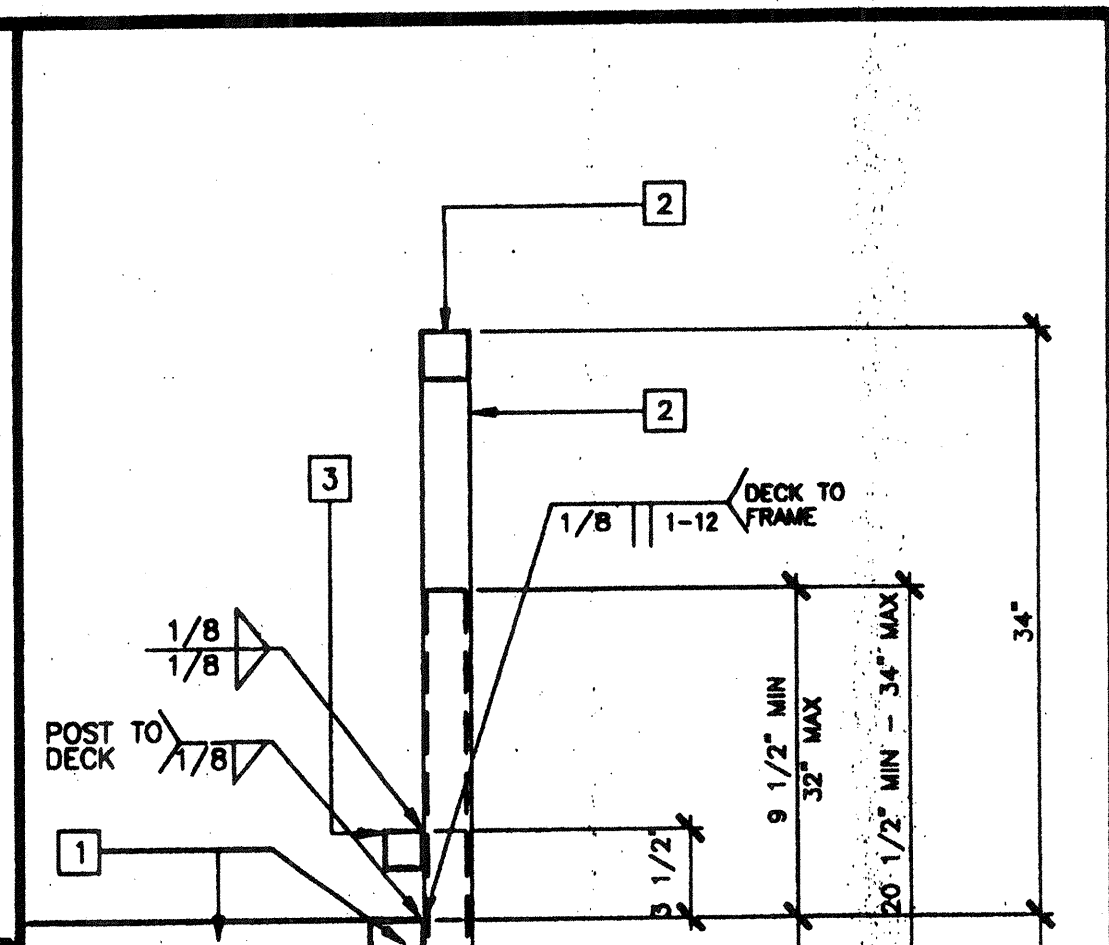
STAIR SECTION 16 SCALE: 1 1/2"=1'-0" (OPTIONAL)



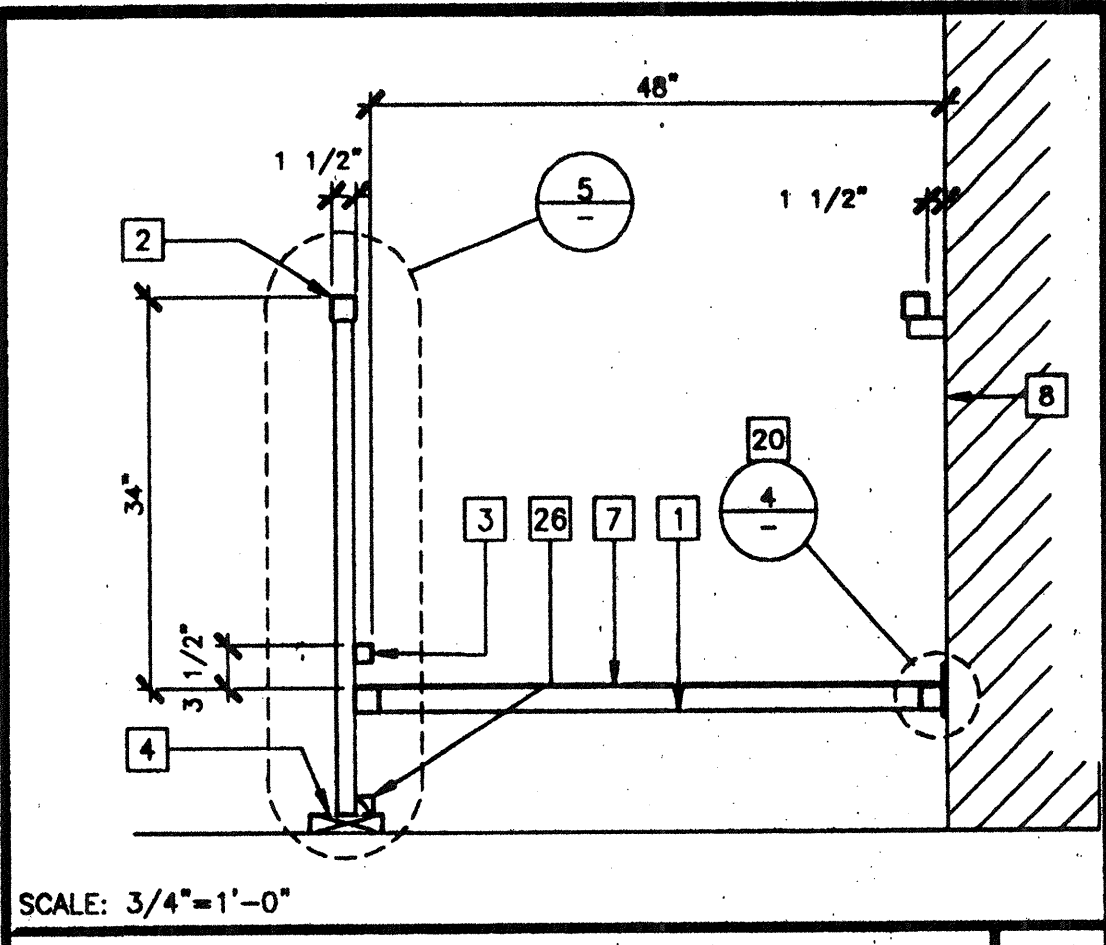
STAIR FRAMING PLAN 12 SCALE: 1/2"=1'-0" (OPTIONAL)



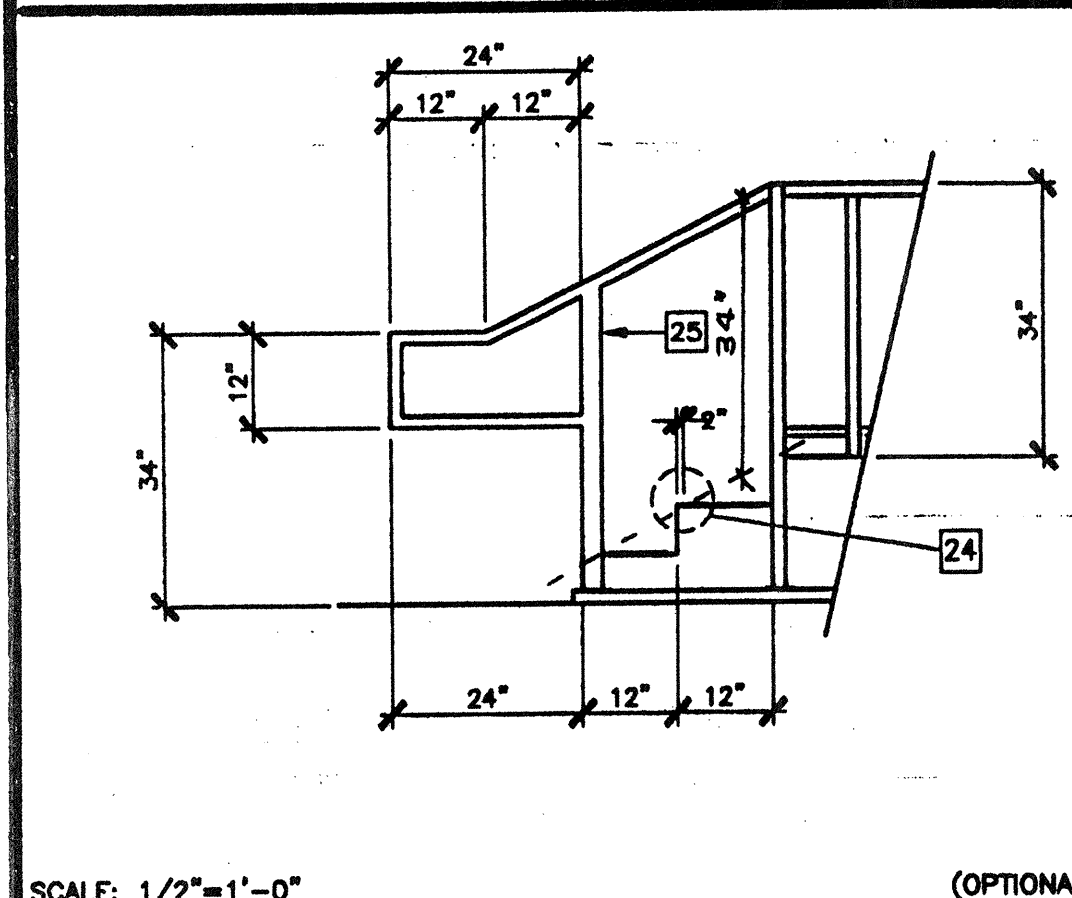
ADJUSTABLE LEG BASE PLATE 8 SCALE: 3"=1'-0" (OPTIONAL)



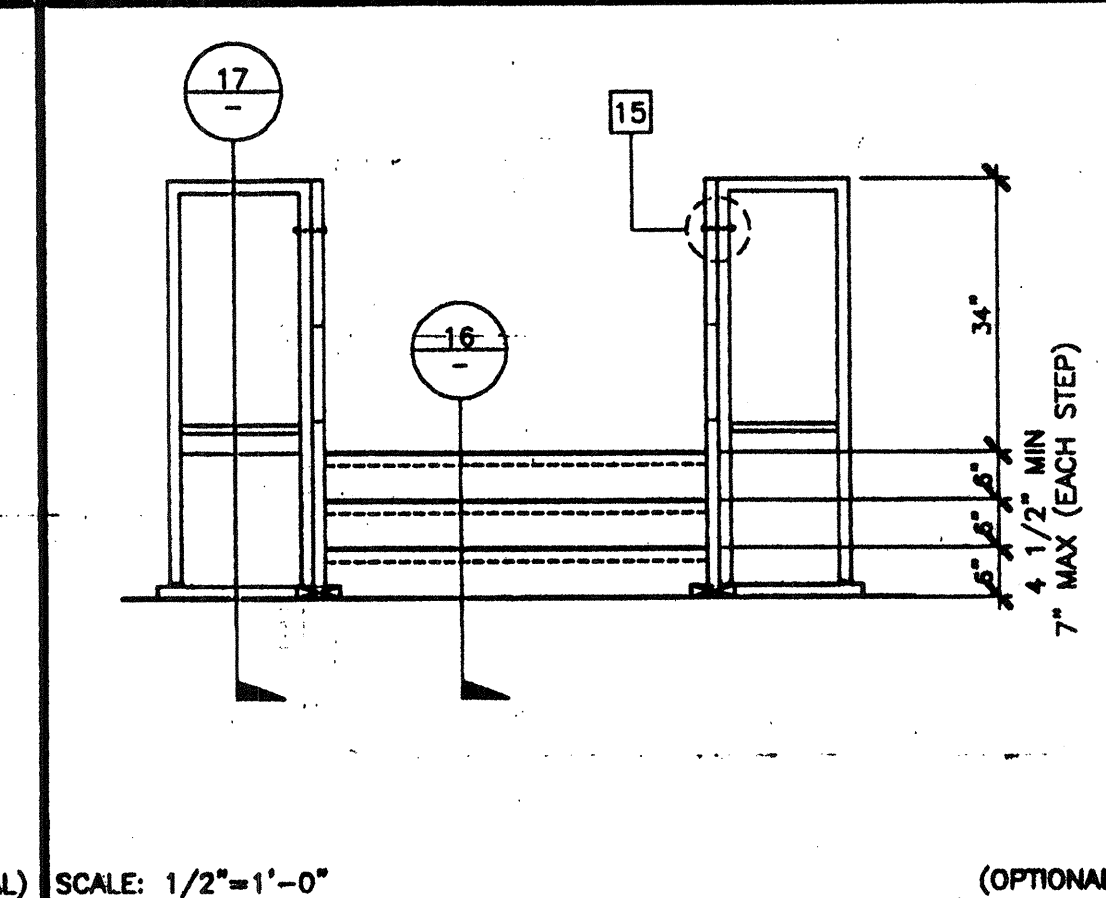
ADJUSTABLE LEG 5 SCALE: 3"=1'-0" (OPTIONAL)



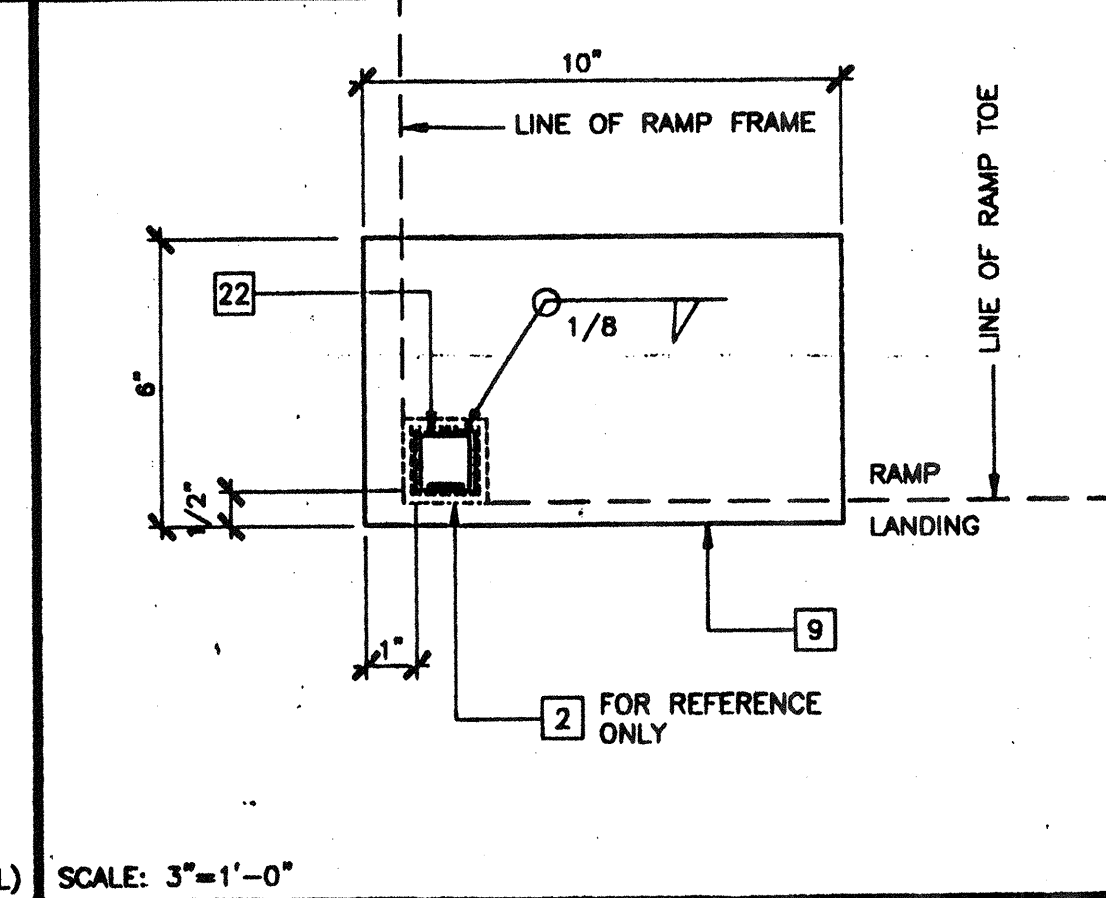
SECTION AT RAMP 1 SCALE: 3/4"=1'-0" (OPTIONAL)



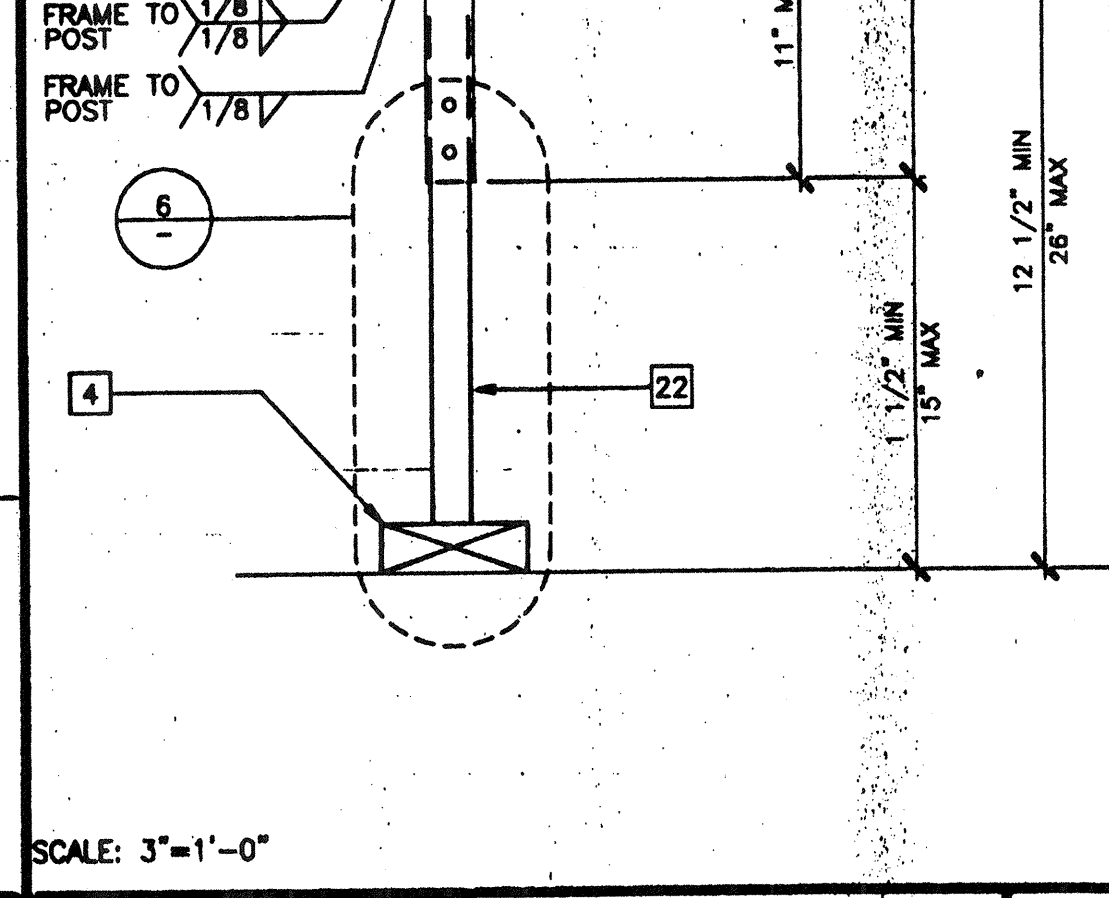
STAIR ELEVATION 17 SCALE: 1/2"=1'-0" (OPTIONAL)



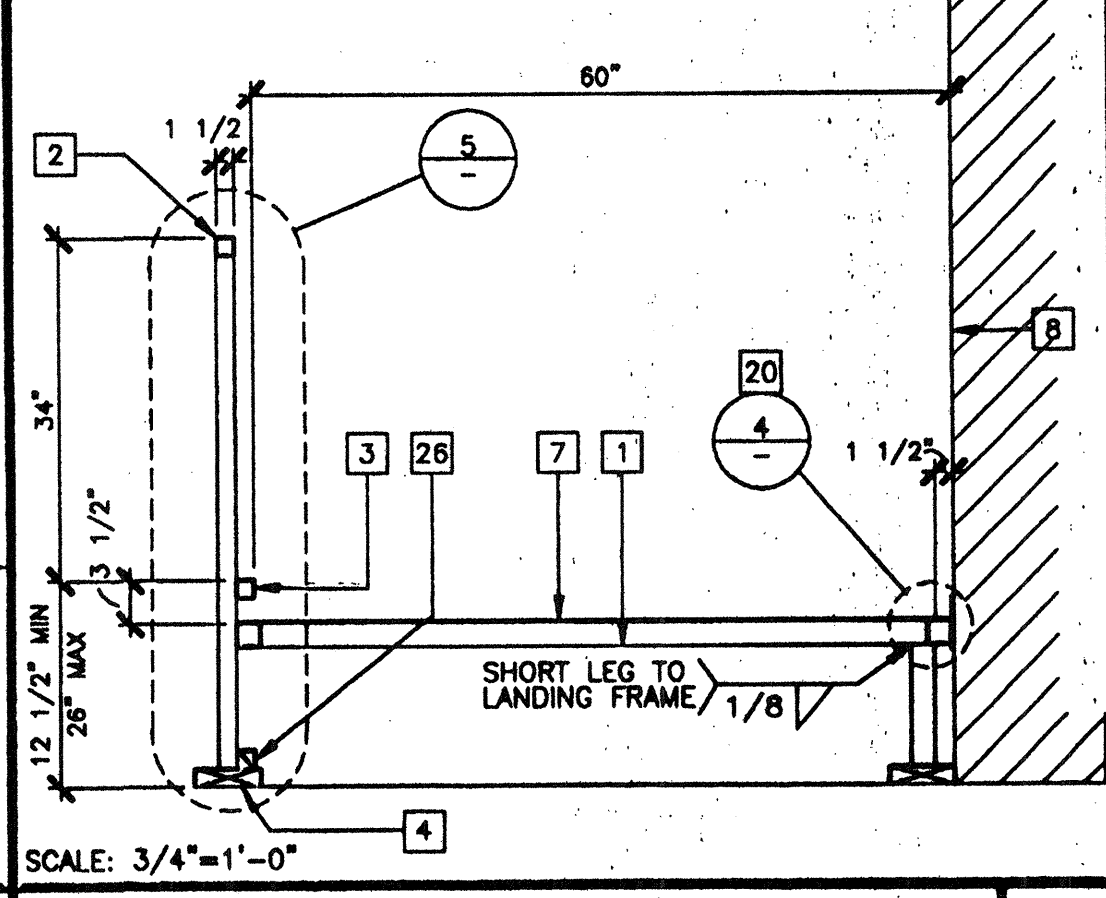
STAIR ELEVATION 13 SCALE: 1/2"=1'-0" (OPTIONAL)



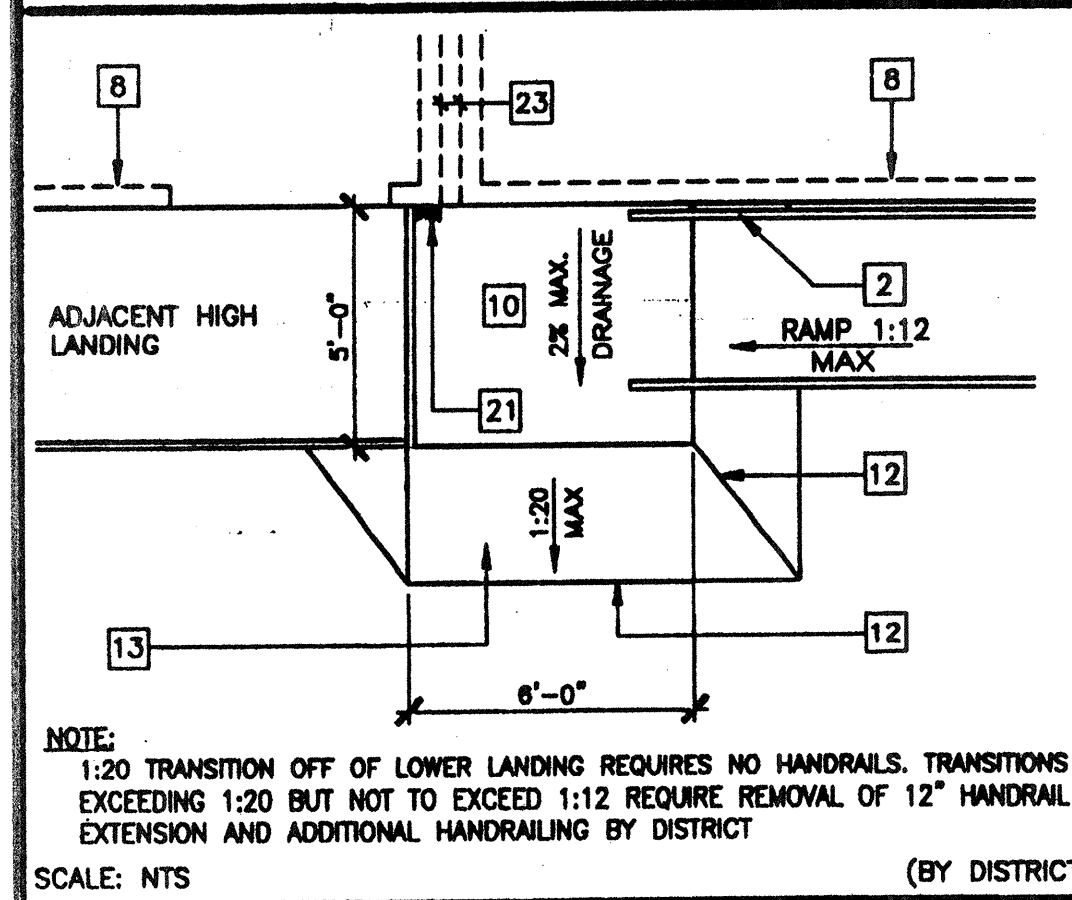
BASE PLATE AT RAMP TOE 9 SCALE: 3"=1'-0" (OPTIONAL)



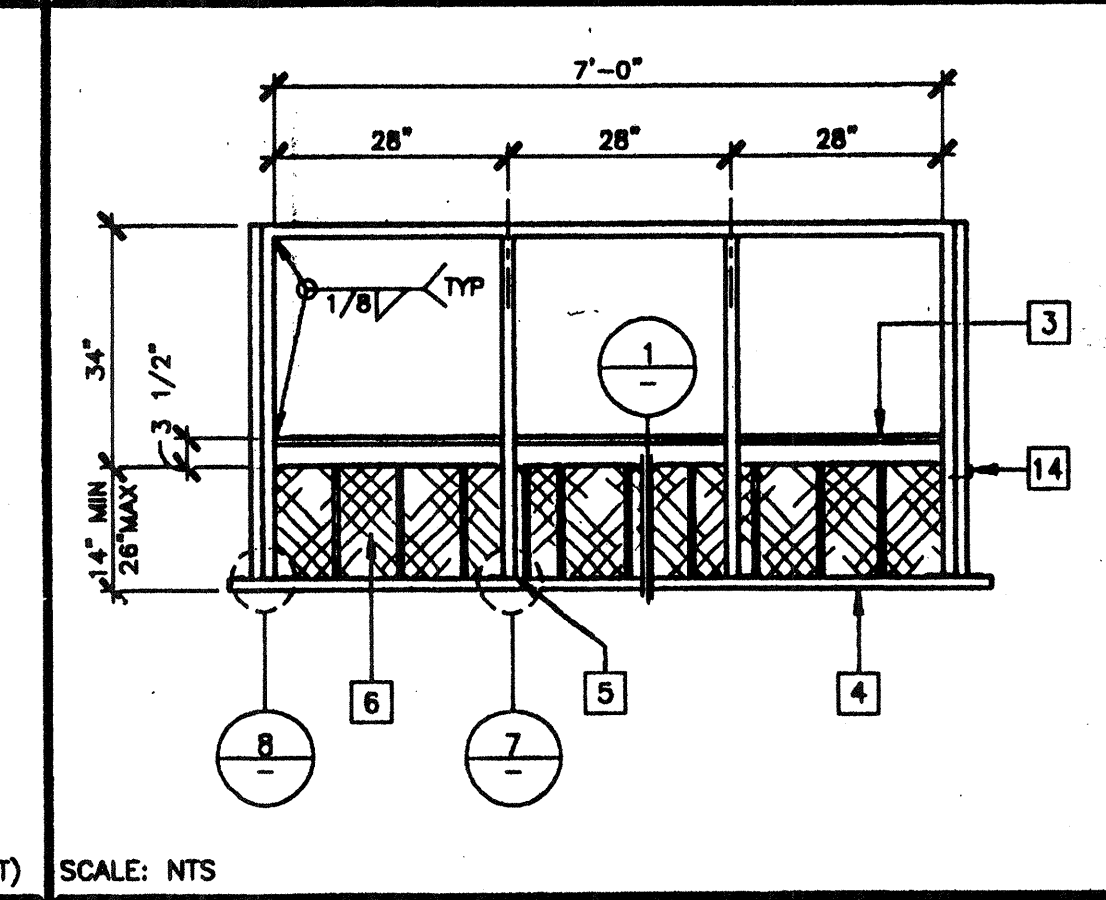
ADJUSTABLE LEG 5 SCALE: 3"=1'-0" (OPTIONAL)



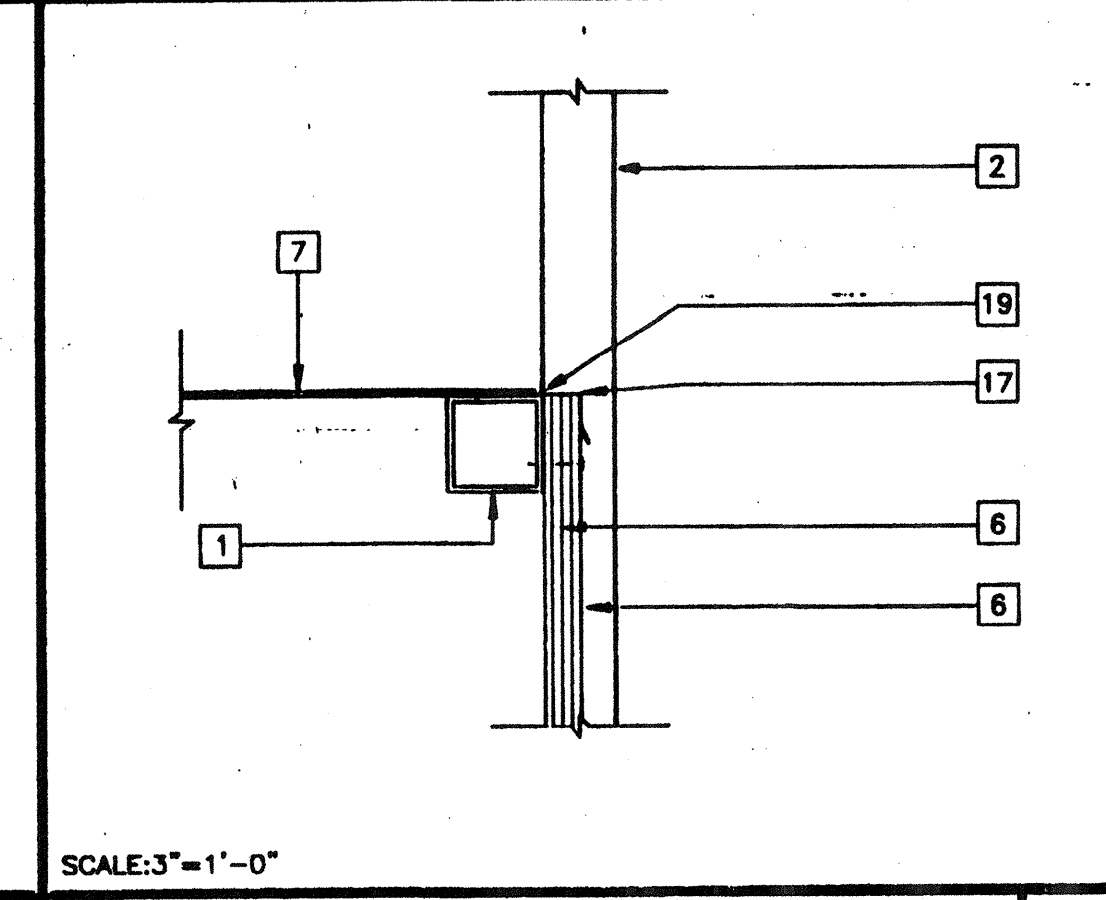
SECTION AT LANDING 2 SCALE: 3/4"=1'-0" (OPTIONAL)



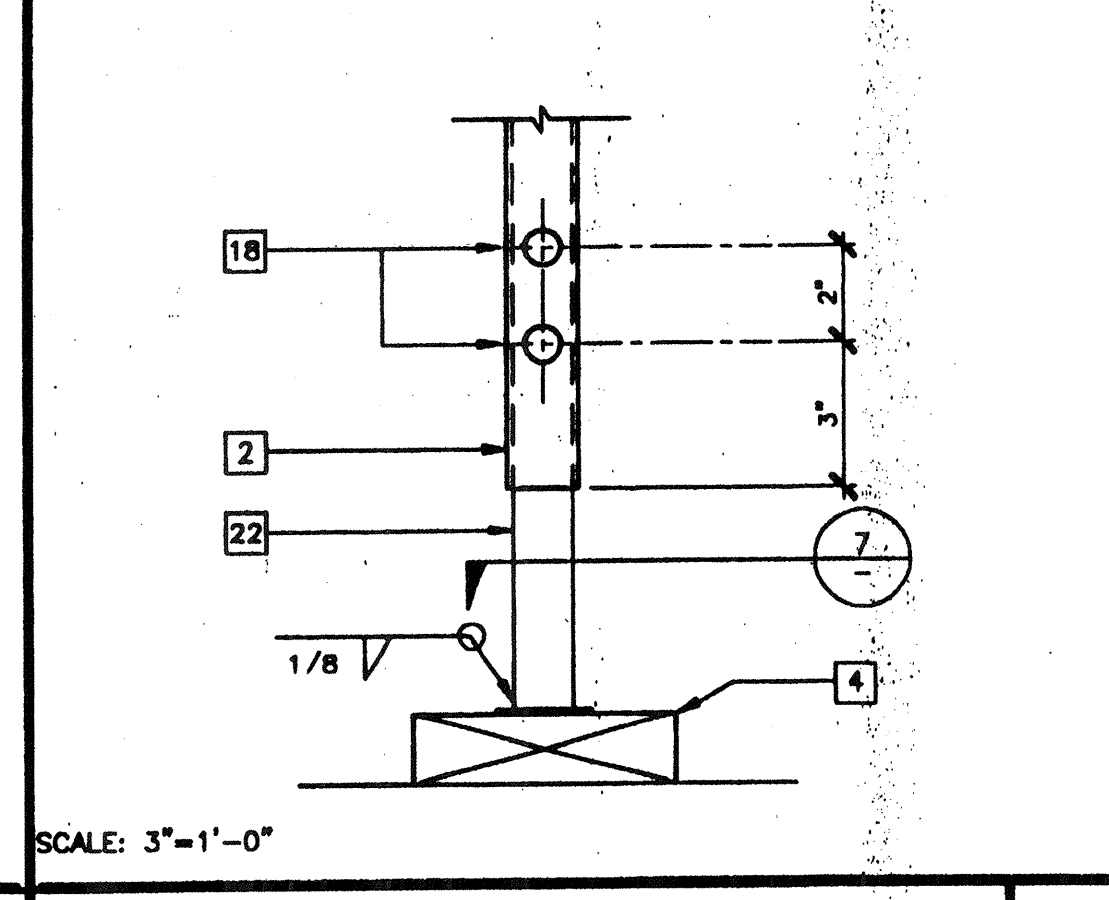
RAMP TRANSITION 18 SCALE: NTS (BY DISTRICT)



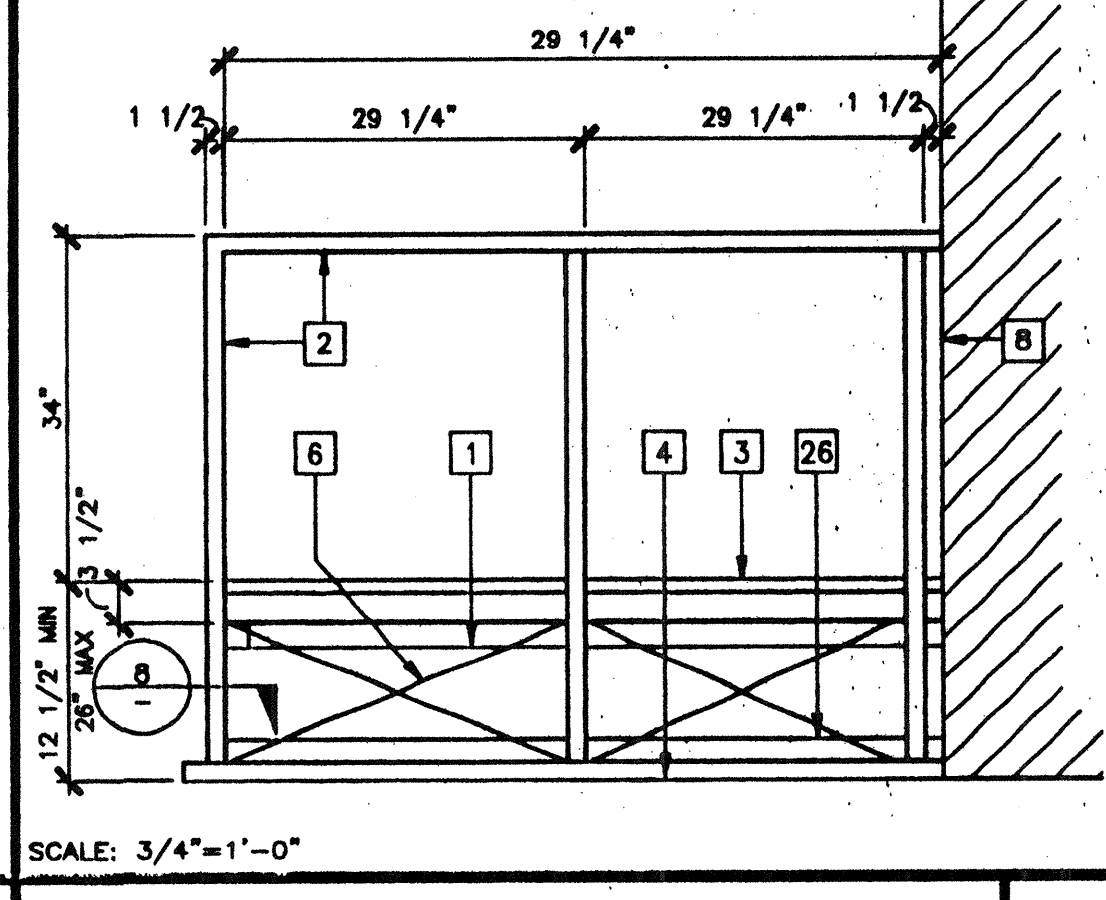
LANDING ELEVATION 14 SCALE: NTS (BY DISTRICT)



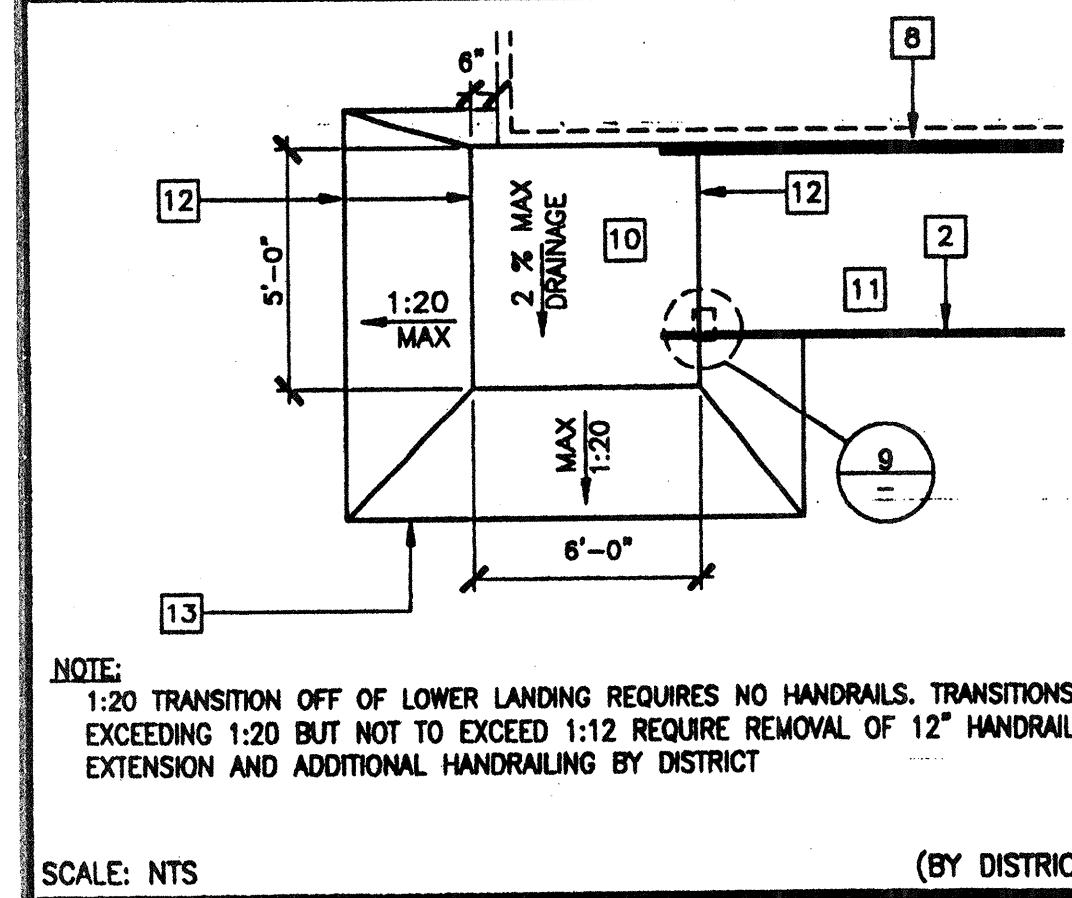
SKIRT FLASHING 10 SCALE: 3"=1'-0" (OPTIONAL)



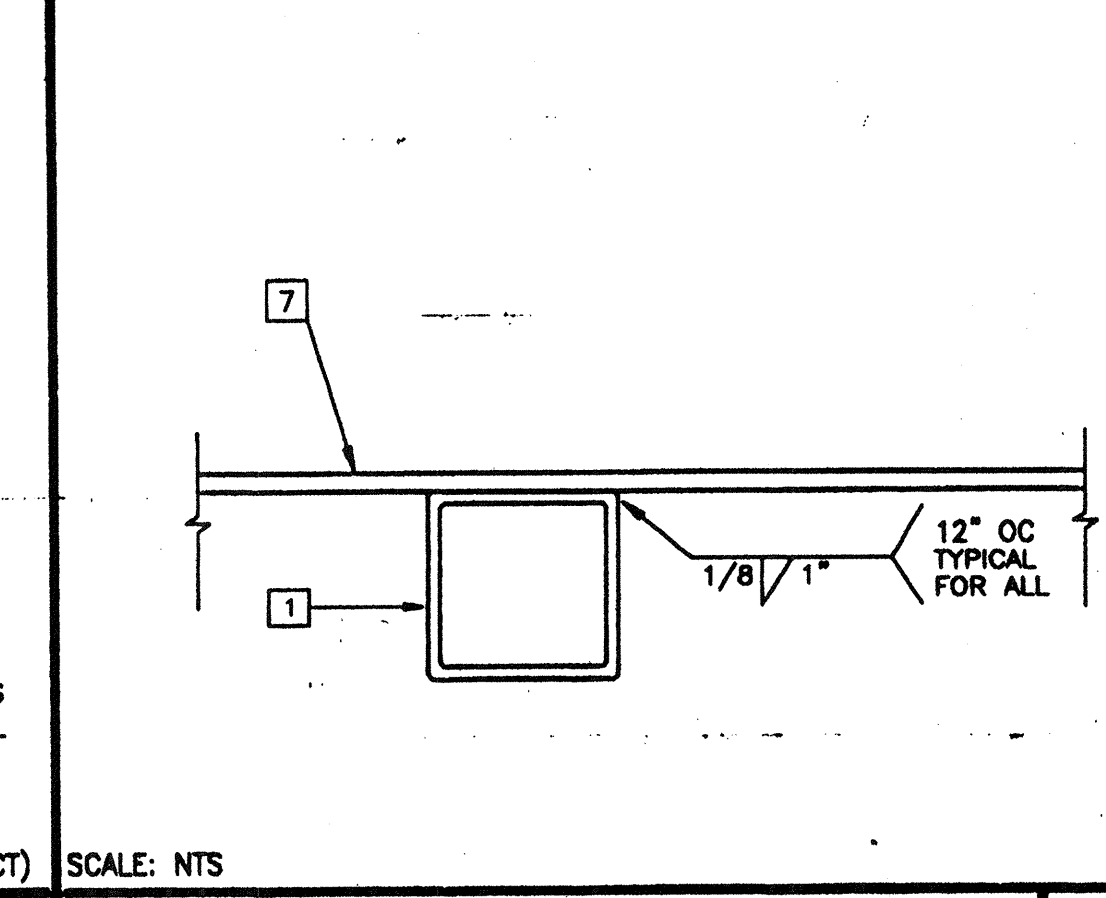
ADJUSTABLE LEG 6 SCALE: 3"=1'-0" (OPTIONAL)



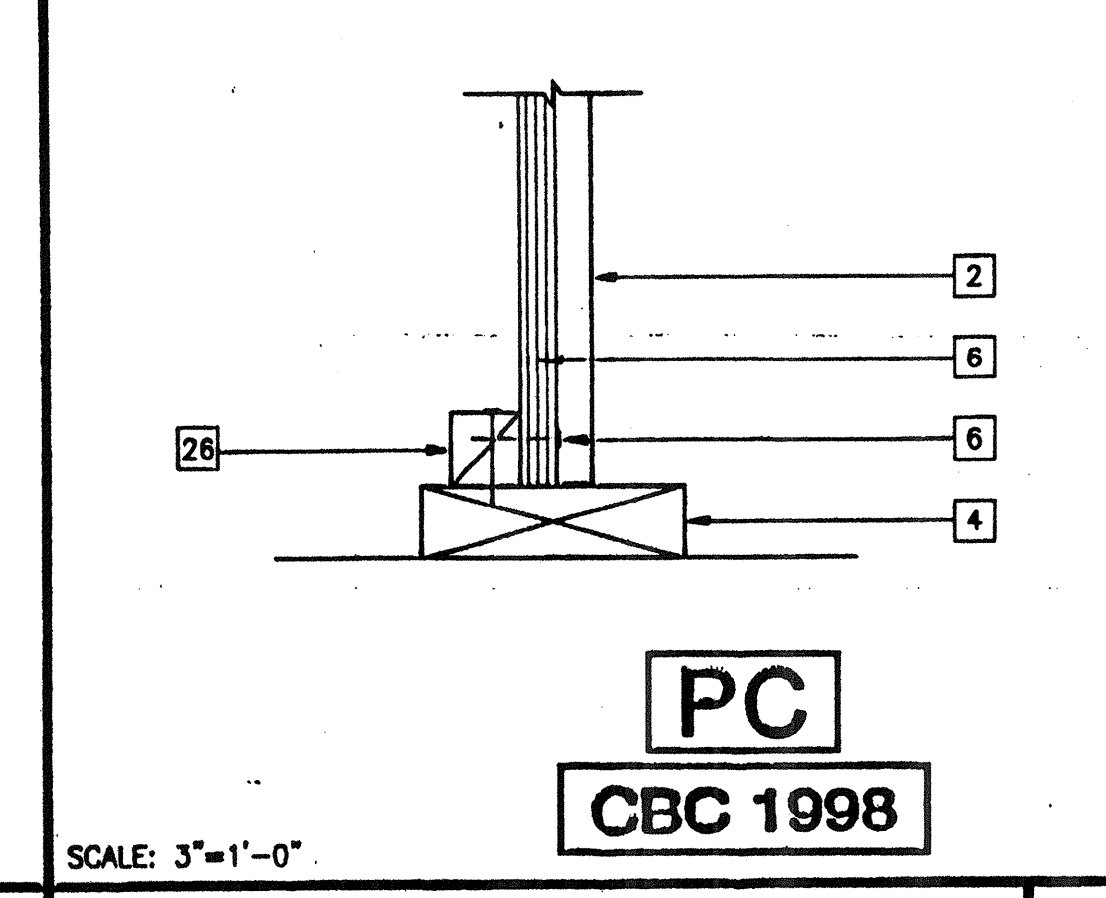
END ELEVATION 3 SCALE: 3/4"=1'-0" (OPTIONAL)



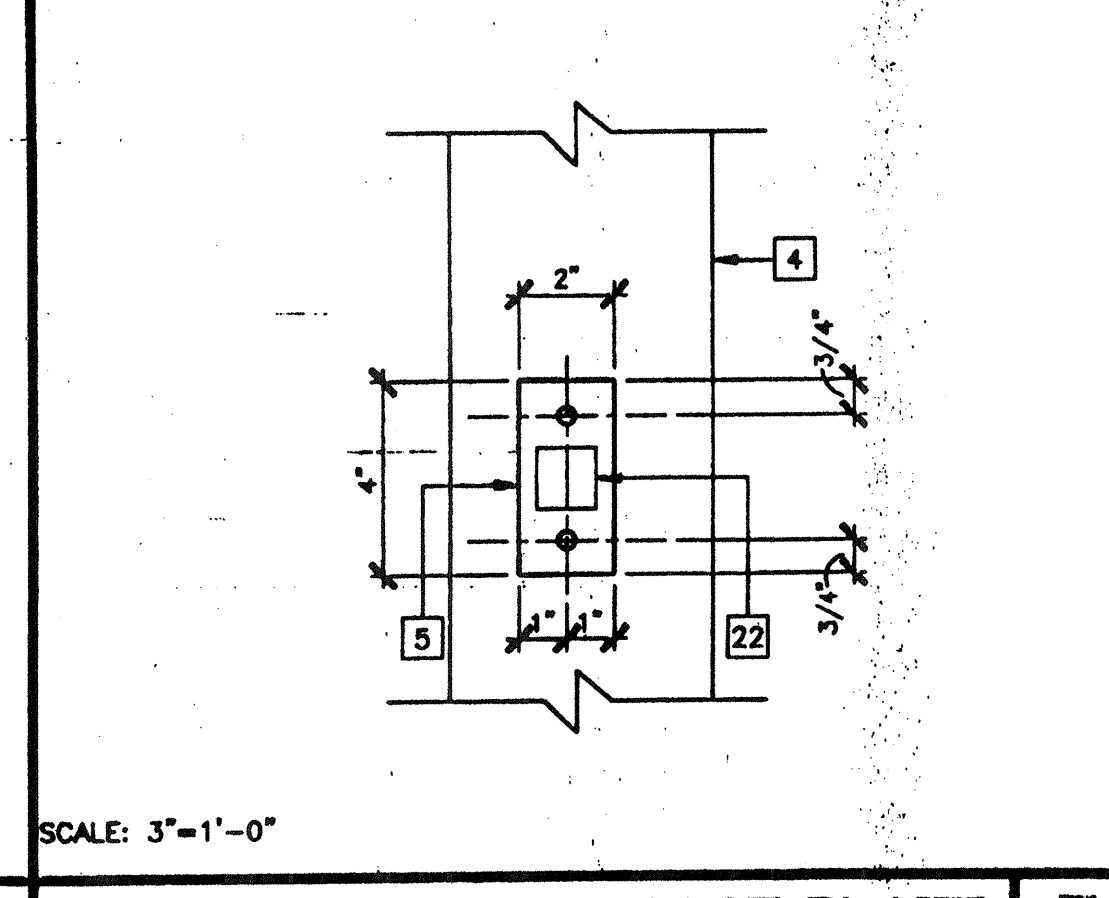
RAMP TRANSITION 18 SCALE: NTS (BY DISTRICT)



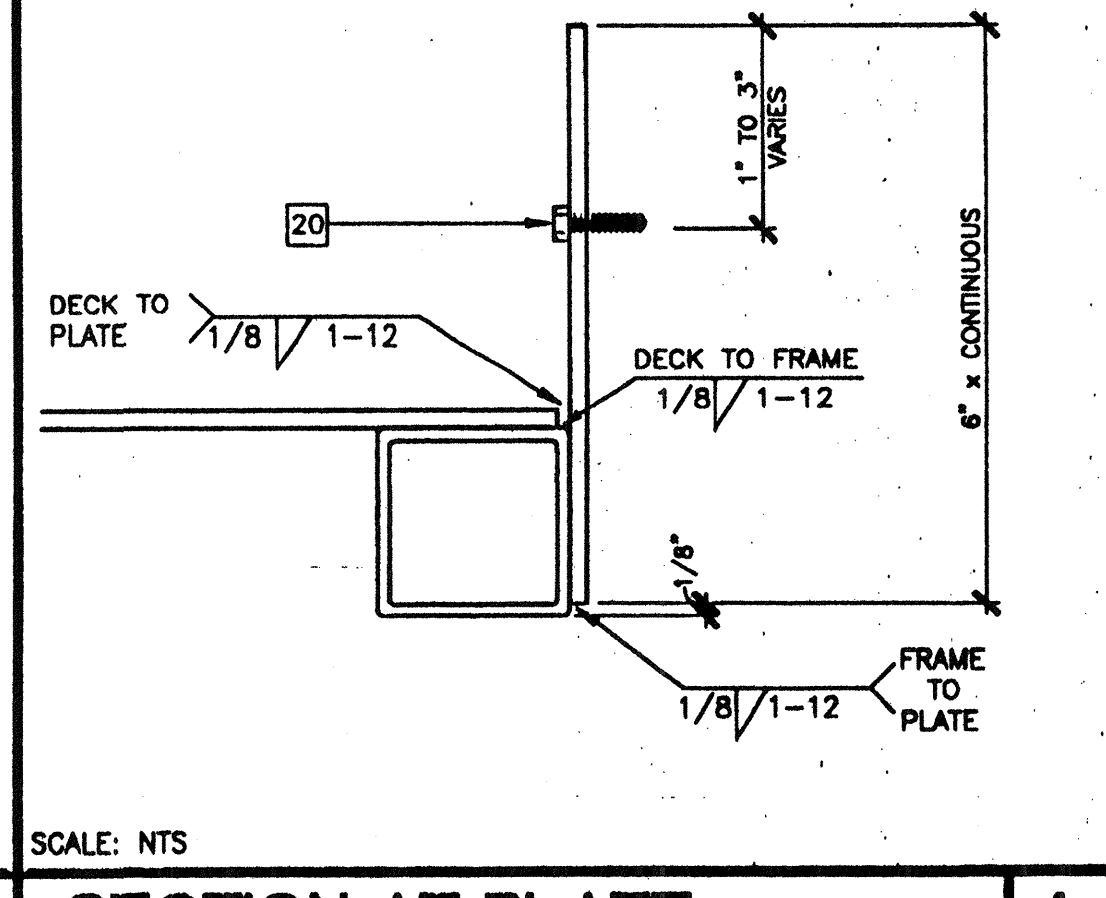
SECTION AT INTERIOR FRAME 15 SCALE: NTS (BY DISTRICT)



SKIRT AT SILL PLATE 11 SCALE: 3"=1'-0" (OPTIONAL)



ADJUSTABLE LEG BASE PLATE 7 SCALE: 3"=1'-0" (OPTIONAL)



SECTION AT PLATE 4 SCALE: NTS (BY DISTRICT)

- ### KEY NOTES
- TS 2"x2"x14 GA
 - TS 1 1/2"x1 1/2"x14 GA (Fy = 39 KSI) ROUNDED OR BEVELED AT CORNERS.
 - TS 1"x1"x16 GA WHEELCHAIR GUIDE
 - 2"x6" PRESSURE TREATED SILL PLATE
 - 2"x4"x12 GA BASE PLATE WITH 2-1/4"x1" LAGS
 - SKIRTING: PLYWOOD TO MATCH BUILDING SIDING, BLOCK ALL EDGES. ATTACH WITH 8d AT 6" OC EDGES AND 12" OC FIELD. AT EDGE CONNECTION TO TS. USE #14x2" TEK SCREWS AT 6" OC
 - 12GA METAL DECK: NON-SLIP SURFACE. DESIGN COEFFICIENT OF FRICTION GREATER THAN 0.6. MAINTAINABLE FOR 1 YR.
 - EXISTING BUILDING.
 - 6"x10"x12 GA BASE PLATE AT RAMP TOE.
 - LOWER LANDING BY DISTRICT
 - RAMP BY MODTECH
 - FLUSH TRANSITION
 - PAVE BY DISTRICT
 - 3"x1"x3'-0"x10 GA BENT PLATE
 - FASTEN POSTS WITH 3/8" DIA THRU BOLT, TYPICAL
 - RAMP LANDING, TYPICAL
 - 26 GA FLASHING
 - 3/8" DIAx2" LONG MB WITH NUT & WASHERS
 - CAULKING
 - 6"x10GA CONTINUOUS PLATE WITH #14x2" TEK SCREWS AT 9" OC INTO WOOD OR FOUNDATION BLOCKS OR #14x2" TEK SCREWS INTO METAL AT 9" OC
 - PROVIDE DIMENSION FOR WATER FROM DOWNSPOUT FOR THIS CONDITION. BY DISTRICT
 - TS 1 1/4"x1 1/4"x14 GA (Fy = 39 KSI)
 - 4" MINIMUM BUILDING SEPARATION
 - 2" SLIP RESISTANT WARNING STRIPES MAX 1" FROM EVERY STAIR NOSING. USE CONTRASTING COLOR.
 - TS 2 1/2"x1 1/2"x8 GA ASTM A500 GRADE A
 - 2"x2" NAILER WITH 16d AT 12" OC
 - PROVIDE ROUNDED OR BEVELED EDGES ON STAIR NOSING.

AGENCY TRACKING NO. 63321-201
FILE NO. 15-6

IDENTIFICATION STAMP
DIV. OF THE STATE ARCHITECT
OFFICE OF REGULATION SERVICES
03-117283
AC/FLS/SS/PC
DATE SEP 13 2016

IDENTIFICATION STAMP
DIV. OF THE STATE ARCHITECT
OFFICE OF REGULATION SERVICES
04 104169
AC/FLS/SS/PC
DATE APR 18 2008

NO.	REVISIONS

Electrical Engineer's Seal
Mechanical Engineer's Seal
Structural Engineer's Seal
Architect's Seal

IDENTIFICATION STAMP
DIV. OF THE STATE ARCHITECT
OFFICE OF REGULATION SERVICES
PC-04
101268
AC/FLS/SS/PC
DATE SEP 17 2008

MODTECH INC.
2830 BARRETT AVENUE
PERRIS, CALIF. 92572
PH (909) 943-4014
FAX (909) 940-0427

PROJECT NUMBER: 4134, 4153, 4164, 4173, 4203, 4207, 4215, 4260, 4284
MODTECH, INC. 2002

RAMP/LANDING DETAILS

DRAWN BY: M. ANDERSEN
DATE: APR 15 2002
CHECKED BY: 4012-121
DATE: 04/16/02
MODTECH Index No.
R1.02

STKP-62

FILE PATH: 2440-RT.02.DWG PROJECT NO. 4373 PC-04-101268