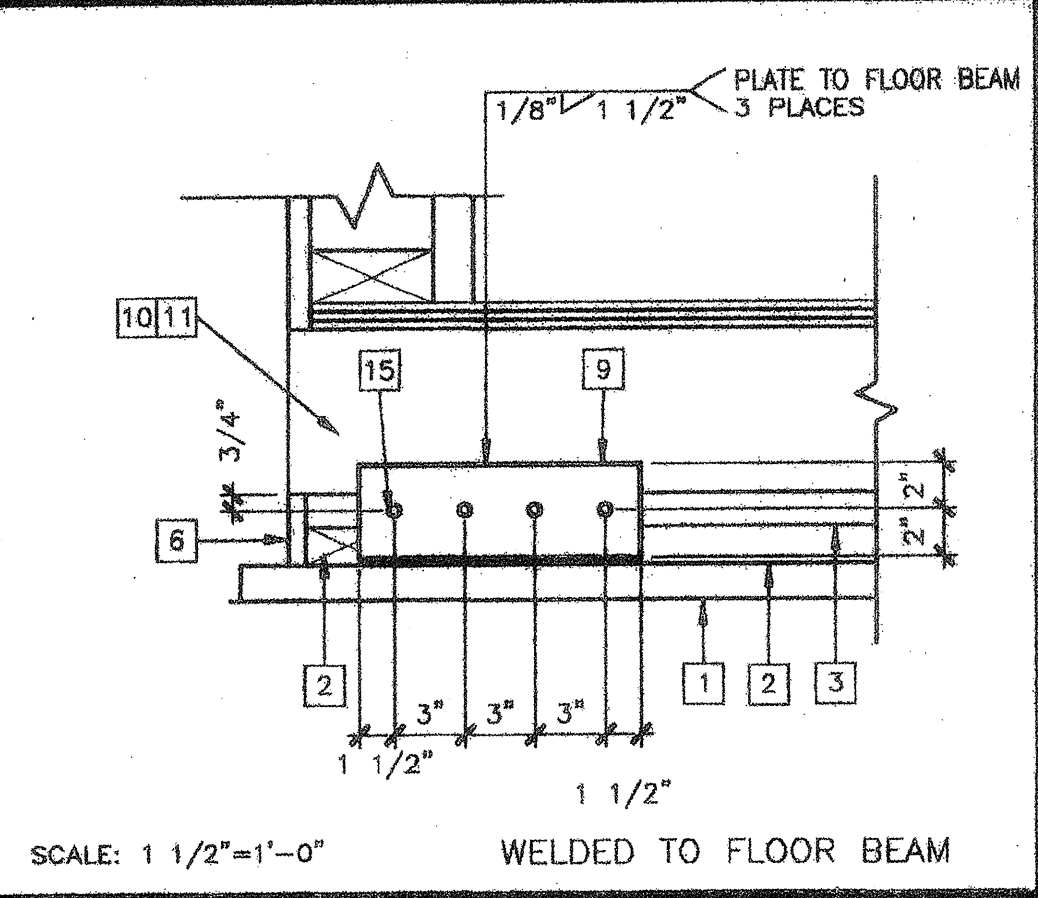
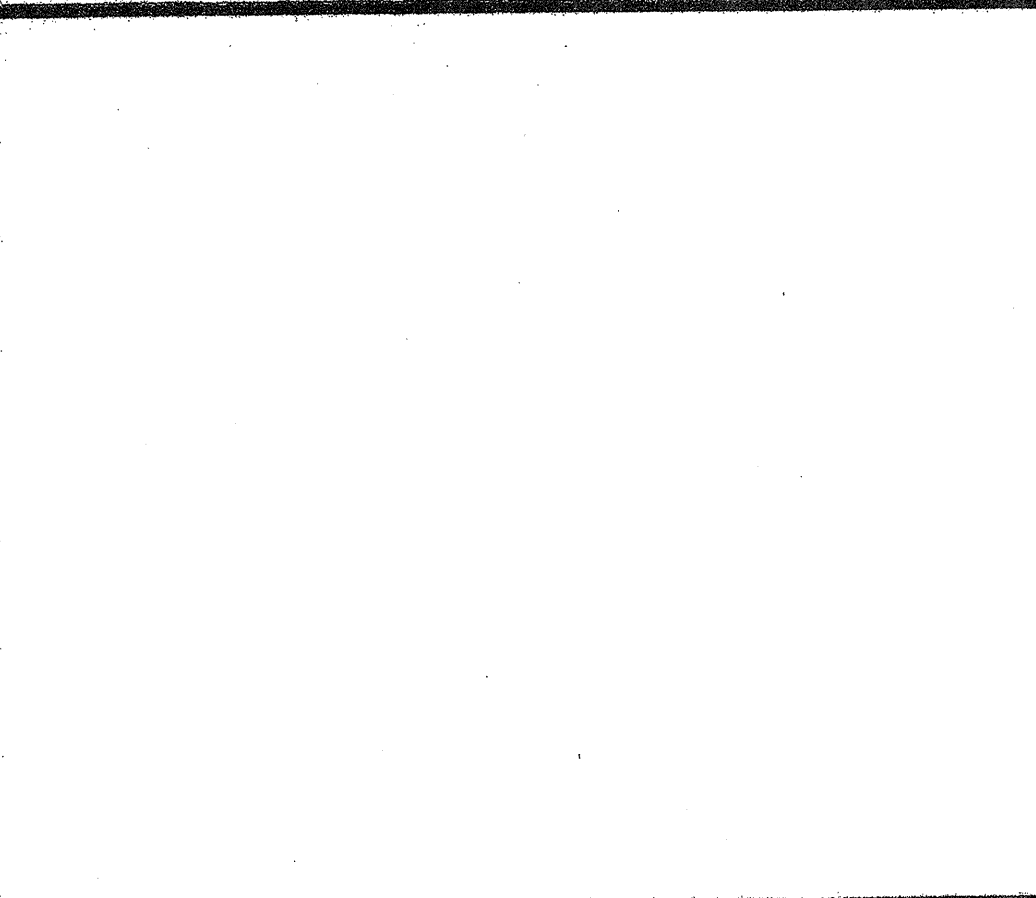


- KEY NOTES**
- 1 SILL PLATE - SEE FOUNDATION PLATE SCHEDULE.
 - 2 BLOCKING PLATE - SEE FOUNDATION PLATE SCHEDULE, ATTACH TO SILL OR BLOCKING WITH 16d NAILS AT 12" OC
 - 3 TOP PLATE - SEE FOUNDATION PLATE SCHEDULE, ATTACH TO BLOCKING WITH 16d NAILS AT 12" OC
 - 4 ADDITIONAL 2"x4" BLOCKING AS NECESSARY FOR LEVELING
 - 5 LOCATION OF SHIM PLATES WHERE REQUIRED FOR LEVELING USE 1/4", 1/2" OR 3/4" PLYWOOD AT SAME WIDTH AS TOP PLATE
 - 6 SKIRTING-3/8" PLYWOOD, ATTACH WITH 10d NAILS, EDGE NAILING 4" OC AT END WALLS AND 8" OC AT SIDE WALLS, FIELD NAILING 12" OC
 - 7 SILL RESTRAINT - SEE NOTE 1
 - 8 TIE PLATE 6"x12"x10 GA
 - 9 TIE PLATE 4"x12"x10 GA
 - 10 FLOOR BEAM
 - 11 FLOOR HEADER
 - 12 FINISH GRADE
 - 13 MODLINE
 - 14 1/4" DIA STS TYPICAL 4 PLACES
 - 15 1/4" DIAx3" LONG LAG SCREW TYPICAL 4 PLACES
 - 16 5/8" DIAx4" LAGS (FOR LOCATION SEE PLAN)
 - 17 REMOVE AT VENT LOCATIONS

FOUNDATION SPLICE 9

TIE PLATE 5

FOUNDATION AT SIDE WALL 1

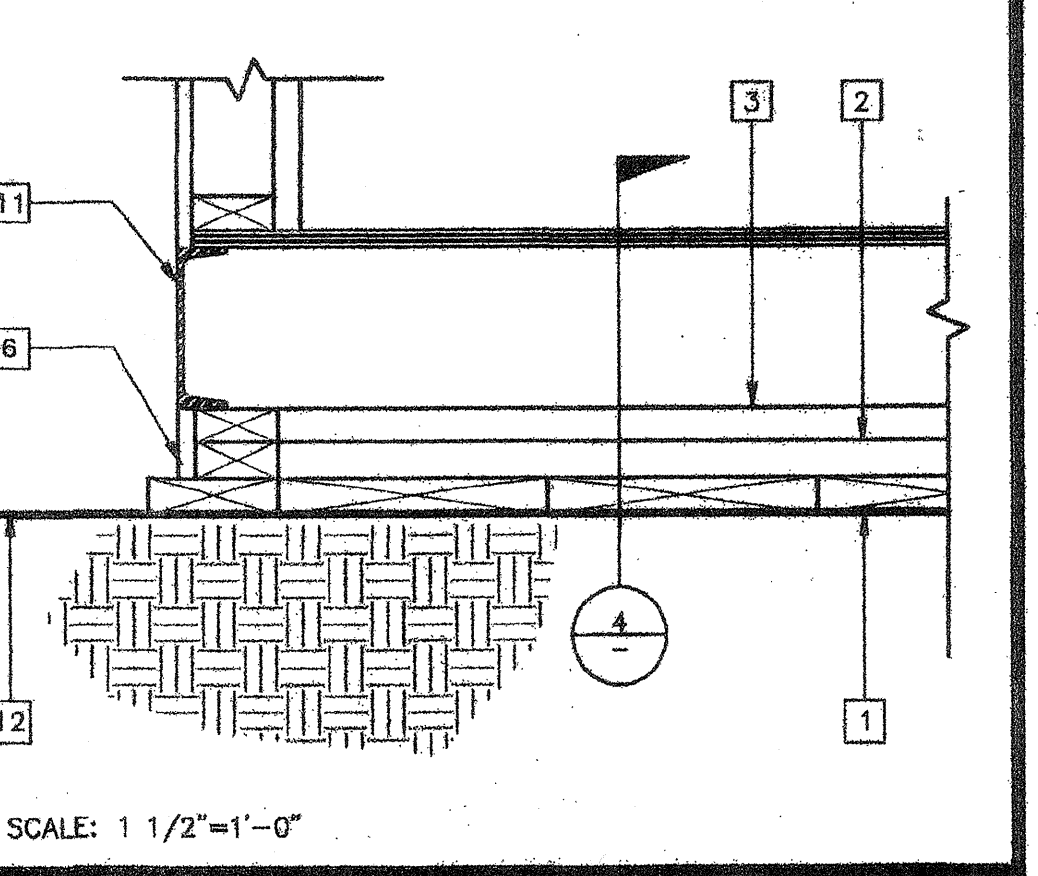
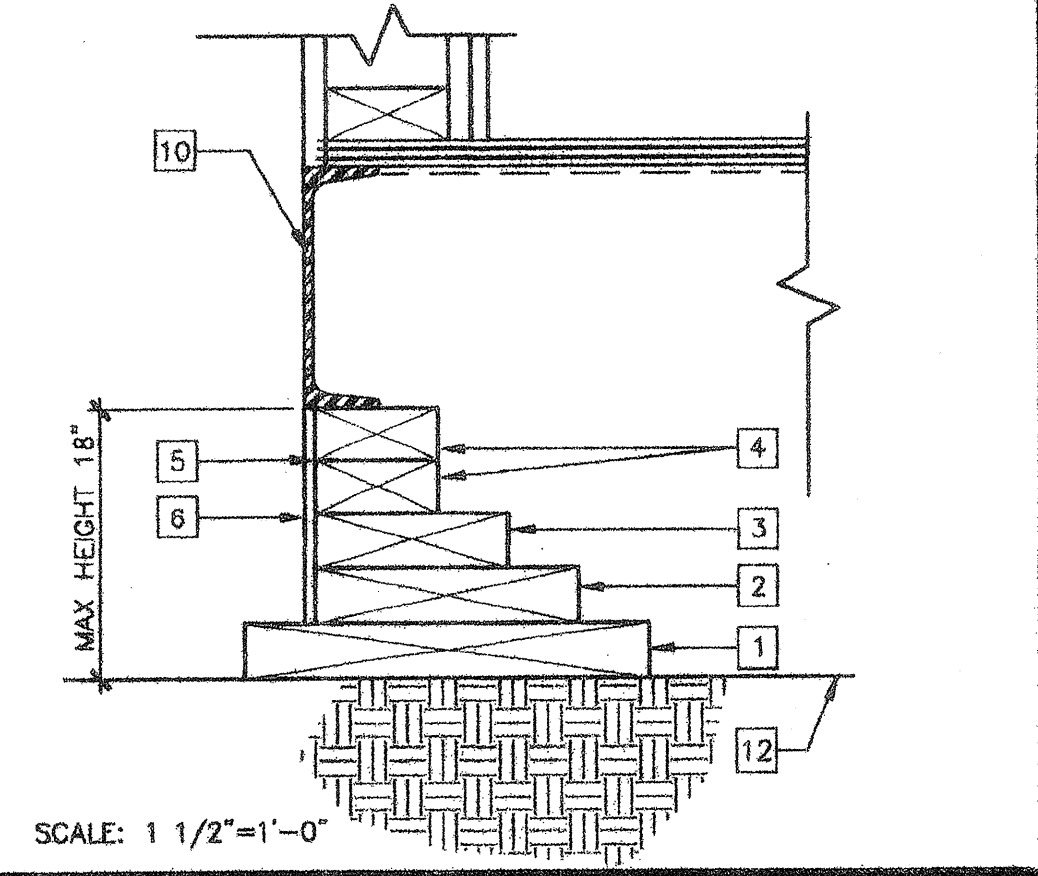


FOUNDATION AT END WALL 2

TIE PLATE (ALTERNATE) 10

FOUNDATION AT MODLINE 7

FOUNDATION AT MODLINE 3



ADDITIONAL BLOCKING 7

FOUNDATION AT ADJACENT BUILDING 8

FOUNDATION AT MODLINE 4

AGENCY TRACKING NO. 63321-201
FILE NO. 15-6

IDENTIFICATION STAMP
DIV. OF THE STATE ARCHITECT
OFFICE OF REGULATION SERVICES

03-11283

AC / FLS / SS / PUC

DATE SEP 13 2016

PC
CBC 1998

REVISIONS	Electrical Engineer's Seal	Mechanical Engineer's Seal	Structural Engineer's Seal	Architect's Seal

Electrical Engineer's Seal

Mechanical Engineer's Seal

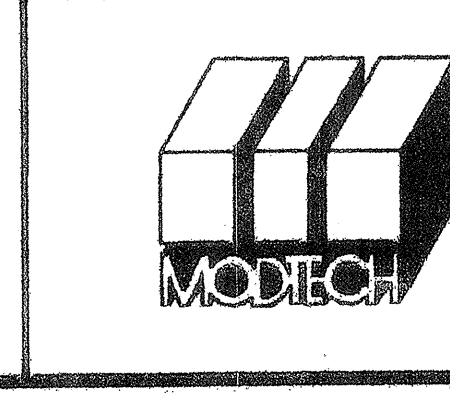
Structural Engineer's Seal

Architect's Seal

IDENTIFICATION STAMP
DIV. OF THE STATE ARCHITECT
OFFICE OF REGULATION SERVICES

PC-04
101268

DATE SEP 07 1999



MODTECH INC.
2830 BARRETT AVENUE
PERRIS, CALIF. 92572
PH (909) 943-4014
FAX (909) 940-0427

PROJECT NUMBER: 4134

© MODTECH, INC. 2001

DRAWN BY: M. ANDERSEN
DATE: APR 15 2002

CHECKED BY: 4012-121
DATE: 04-16-02

MODTECH Index No.

ST&P-62

APR 18 2002

F1.21

FOUNDATION DETAILS WOOD/50, 50+20, 100 PSF

FILE PATH: 2440-4134.DWG PROJECT NO. 4134 PC-04-101268