

- ### KEY NOTES
- 1 FAUCET MECHANISM SHALL BE OPERABLE WITH ONE HAND AND SHALL NOT REQUIRE TIGHT GRASPING, PINCHING OR TWISTING OF THE WRIST. MAX OPERATING FORCE REQUIRED: 5lbs.
 - 2 ACCESSIBLE CLEAR AREA (NO SHARP OR ABRASIVE EDGES)
 - 3 REMOVABLE TOEKICK
 - 4 SILL PLATE
 - 5 GRADE
 - 6 SOV
 - 7 BY OTHERS
 - 8 #12 WOOD SCREWS MIN. 12" OC MIN 2 1/2" INTO 3x4 BLOCKING 2 SCREWS PER CABINET AT EACH BACKING LOCATIONS TYPICAL
 - 9 WALL HUNG CASEWORK
 - 10 ANCHORAGE: 3x4 BLOCKING WITH PAIR OF SIMPSON A35 FRAMING CLIPS EACH END OF EACH BLOCK VERIFY VERTICAL SPACING
 - 11 FINISH GRADE
 - 12 4"x22 GA CONTINUOUS METAL STRAPS WITH #14 STMS AT 24" OC
 - 13 BACK SPLASH
 - 14 BASE CABINET
 - 15 TALL CASEWORK
 - 16 TOP SET BASE
 - 17 SIGNAGE PROVIDED AND INSTALLED BY DISTRICT PRIOR TO OCCUPANCY - A5.01

ACCESSIBLE LAV CLEARANCE

12 WALL HUNG CABINET ANCHORAGE

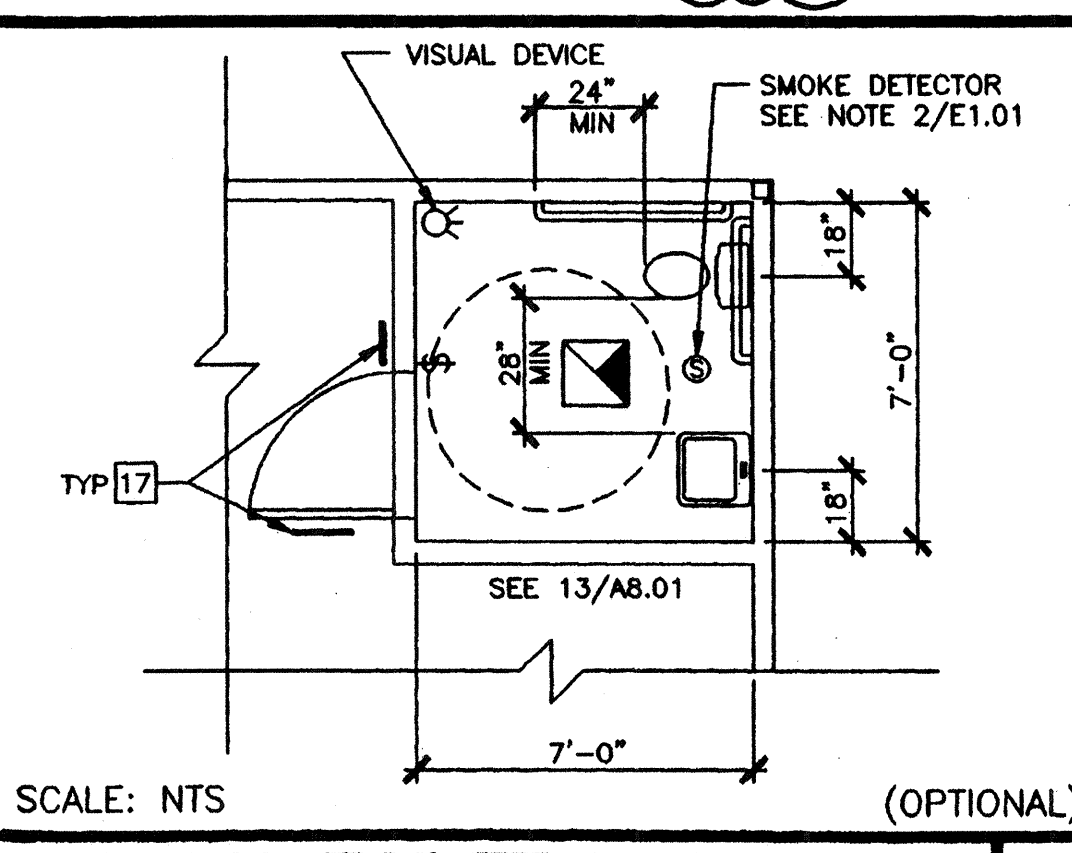
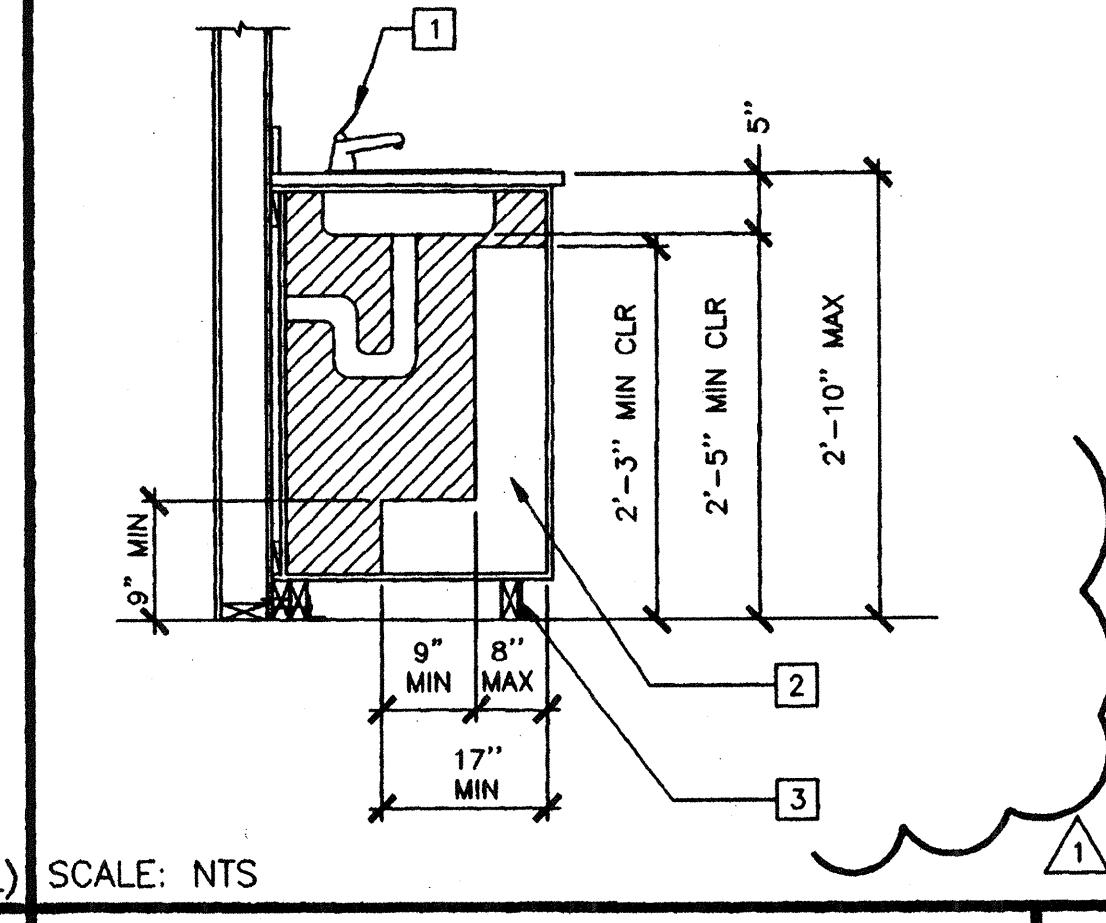
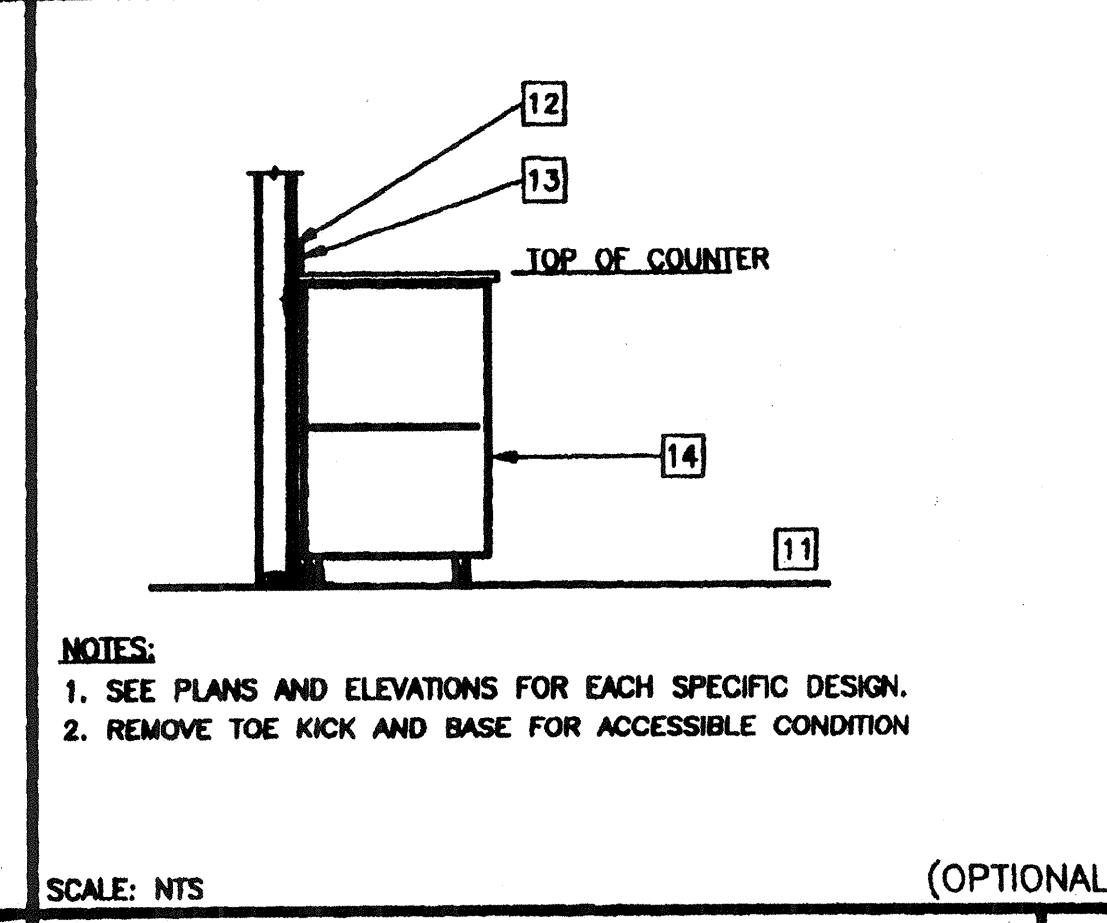
8 TYPICAL SINK CABINET PLAN AND ELEVATION 4

WATER CLOSET - ACCESSIBLE
VITREOUS CHINA, FLOOR MOUNT, TANK TYPE

ADULT - 17" C3-392 (CRANE)
ELEMENTARY - 14" C3-392 (CRANE)
KINDER - 10" C3-811 (CRANE)
OPEN FRONT WHITE SEAT, OLSONITE
95 OR APPROVED EQUAL, FLUSH VALVE AT WIDE SIDE

LAVATORY - ACCESSIBLE
C1-412V, FAUCET TO BE VALLEY 805 (CRANE)

SCALE: NTS



TOILET ROOM FIXTURES

13 BASE CABINET ANCHORAGE

9 SINK ACCESSIBILITY

5 TYPICAL TOILET ROOM PLAN 1

RECESSED OR SEMI RECESSED

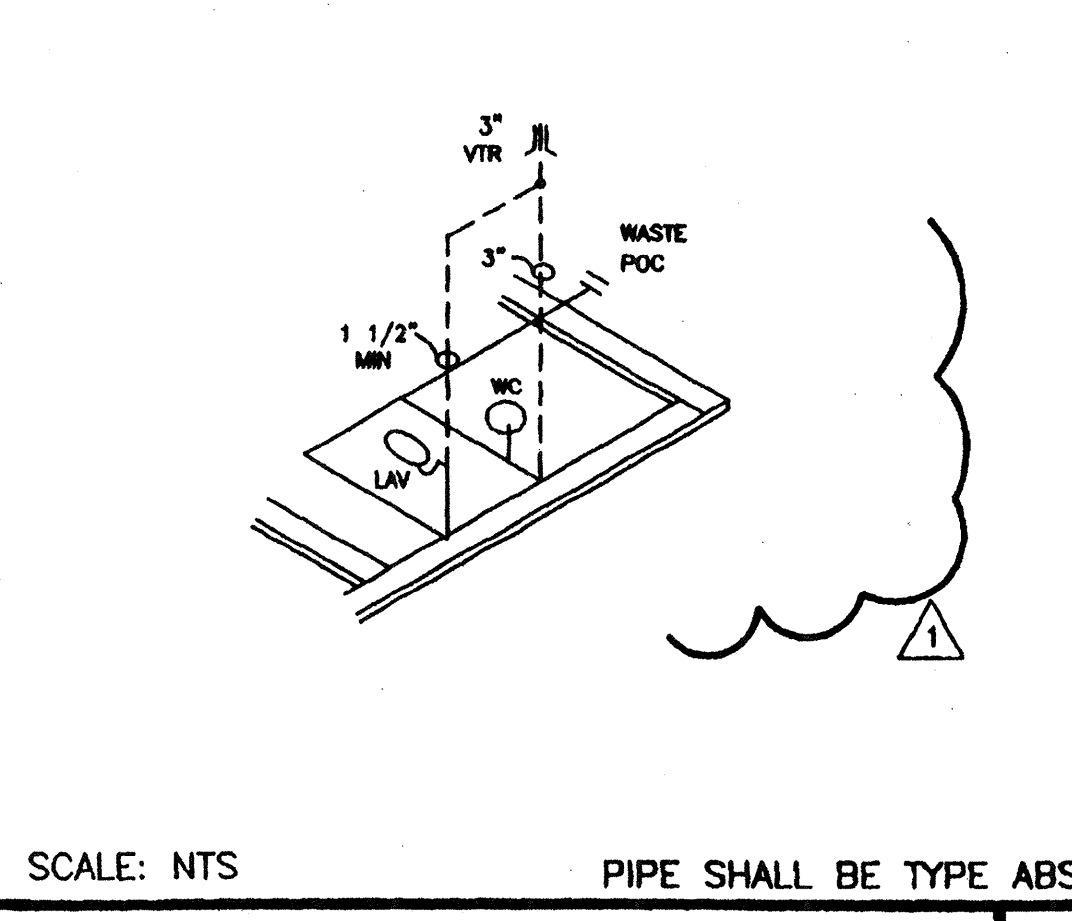
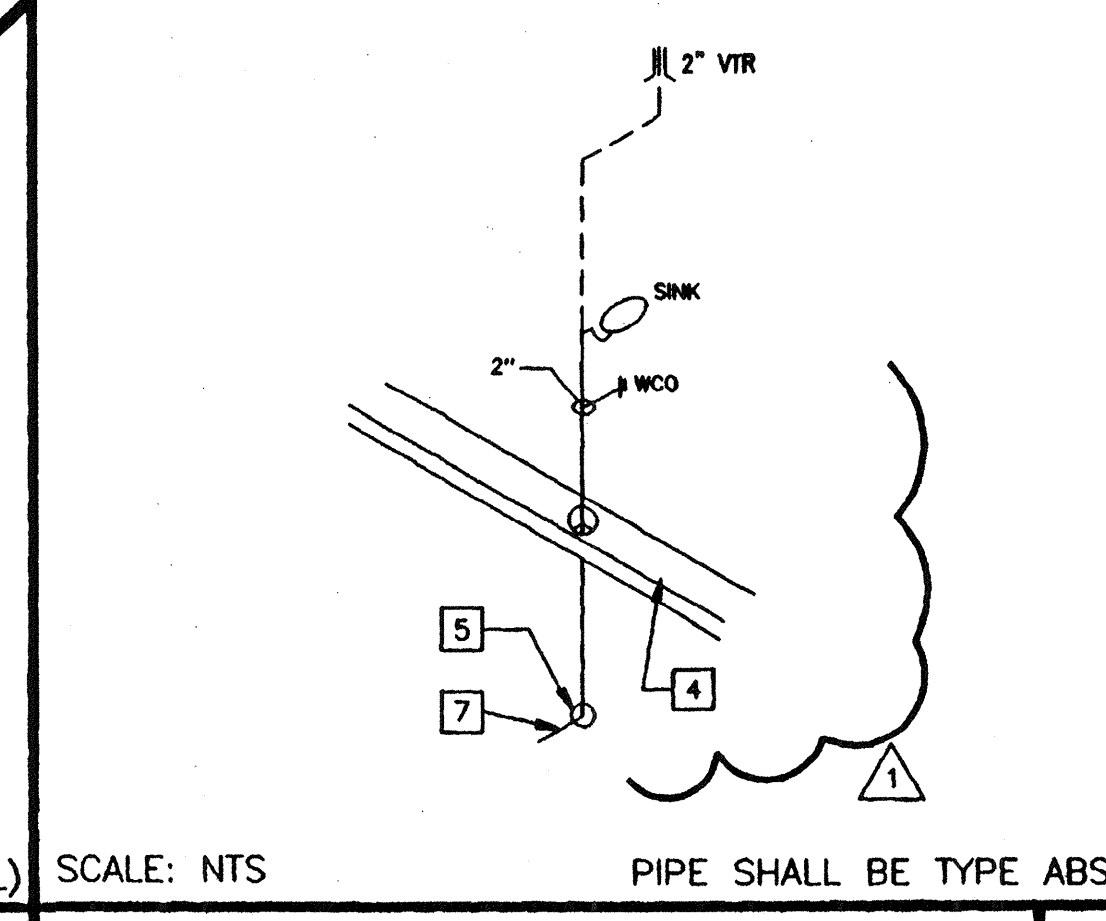
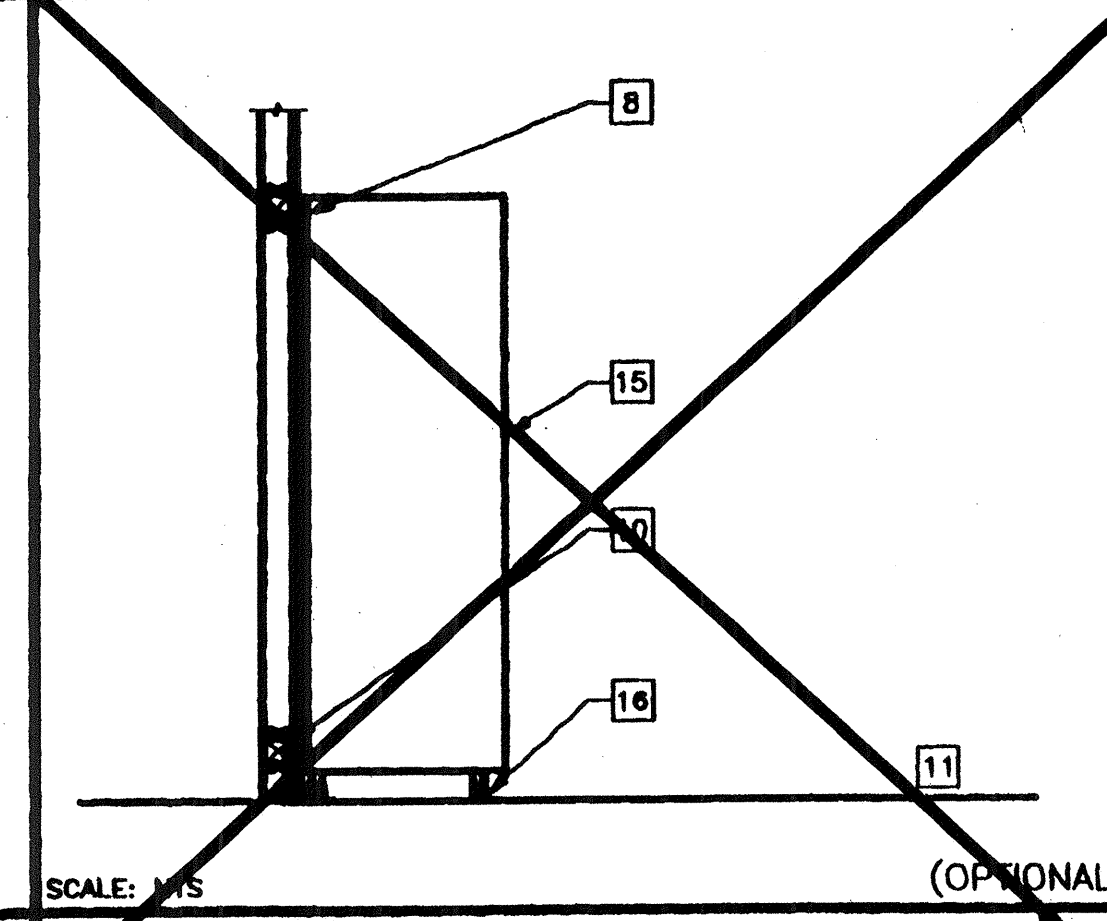
AGENCY TRACKING NO. 63321-201
FILE NO. 15-6

IDENTIFICATION STAMP
DIV. OF THE STATE ARCHITECT
OFFICE OF REGULATION SERVICES

03-117283

AC 1/1 FLS 100 SS PKL
DATE SEP 13 2018

PC
CBC 1998



TALL CABINET ANCHORAGE

10 SINK CABINET WASTE

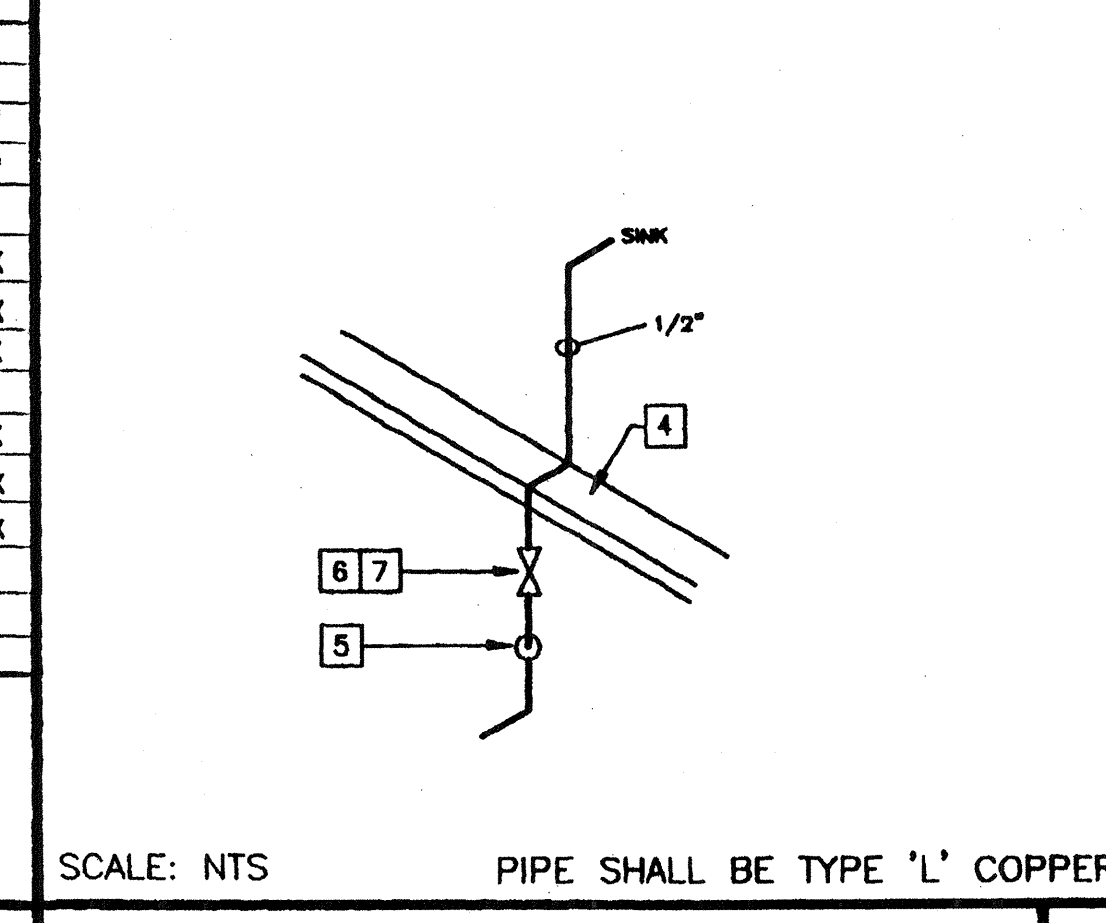
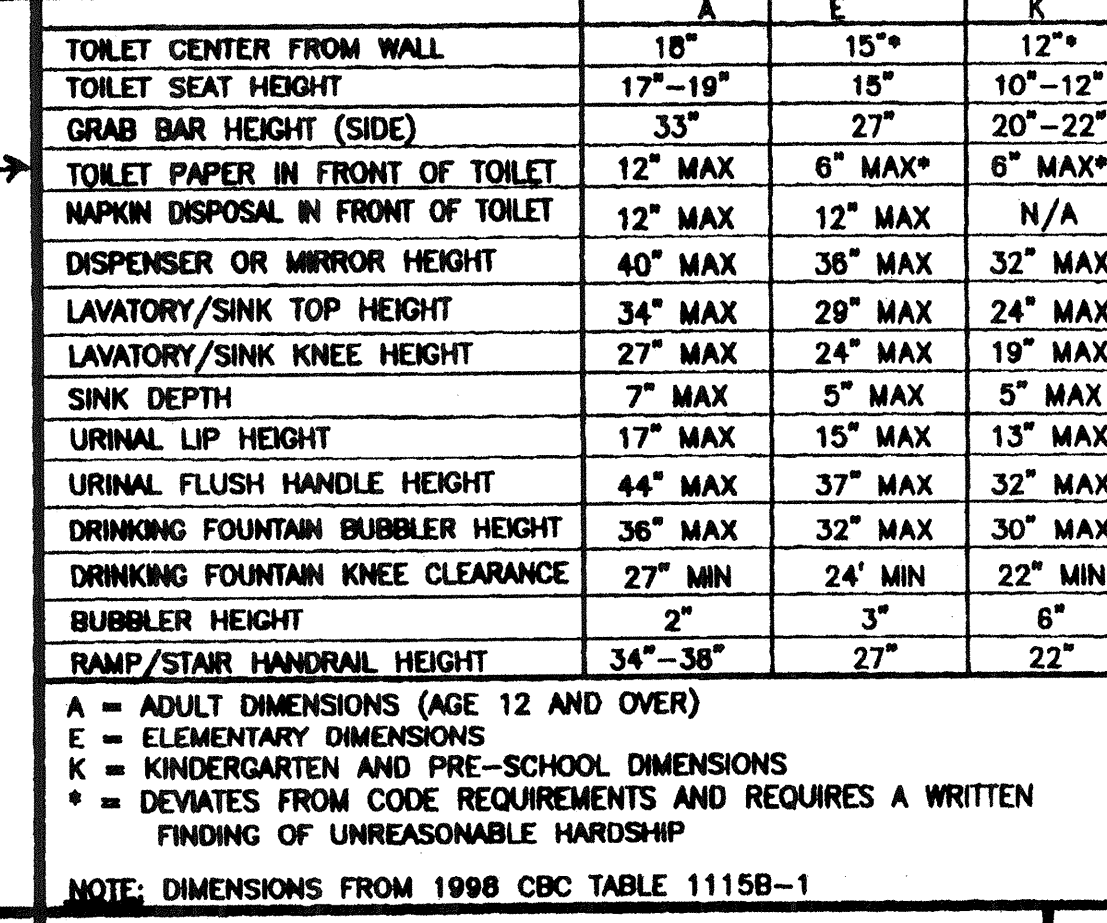
6 TOILET ROOM WASTE

2

	A	E	K
TOILET CENTER FROM WALL	18"	15"	12"
TOILET SEAT HEIGHT	17"-19"	15"	10"-12"
GRAB BAR HEIGHT (SIDE)	33"	27"	20"-22"
TOILET PAPER IN FRONT OF TOILET	12" MAX	6" MAX*	6" MAX*
NAPKIN DISPOSAL IN FRONT OF TOILET	12" MAX	12" MAX	N/A
DISPENSER OR MIRROR HEIGHT	40" MAX	38" MAX	32" MAX
LAVATORY/SINK TOP HEIGHT	34" MAX	29" MAX	24" MAX
LAVATORY/SINK KNEE HEIGHT	27" MAX	24" MAX	19" MAX
SINK DEPTH	7" MAX	5" MAX	5" MAX
URINAL LIP HEIGHT	17" MAX	15" MAX	13" MAX
URINAL FLUSH HANDLE HEIGHT	44" MAX	37" MAX	32" MAX
DRINKING FOUNTAIN BUBBLER HEIGHT	36" MAX	32" MAX	30" MAX
DRINKING FOUNTAIN KNEE CLEARANCE	27" MIN	24" MIN	22" MIN
BUBBLER HEIGHT	2"	3"	6"
RAMP/STAIR HANDRAIL HEIGHT	34"-38"	27"	22"

A = ADULT DIMENSIONS (AGE 12 AND OVER)
E = ELEMENTARY DIMENSIONS
K = KINDERGARTEN AND PRE-SCHOOL DIMENSIONS
* = DEVIATES FROM CODE REQUIREMENTS AND REQUIRES A WRITTEN FINDING OF UNREASONABLE HARDSHIP

NOTE: DIMENSIONS FROM 1998 CBC TABLE 1115B-1



ACCESSIBILITY

11 SINK CABINET COLD WATER SUPPLY

7 TOILET ROOM COLD WATER SUPPLY

3

REVISIONS

NO.	DESCRIPTION	DATE
1	MODTECH ENGINEERING CHANGE	09/28/00
2		
3		
4		
5		

Electrical Engineer's Seal
Mechanical Engineer's Seal
Structural Engineer's Seal
Architect's Seal

IDENTIFICATION STAMP
DIV. OF THE STATE ARCHITECT
OFFICE OF REGULATION SERVICES

PC-04
101268

REVISED 05/02/2000

MODTECH INC.
2830 BARRETT AVENUE
PERRIS, CALIF. 92572
PH (909) 943-4014
FAX (909) 940-0427

PROJECT NUMBER: 4134, 4250, 4294 © MODTECH, INC. 2001

DRAWN BY: M. ANDERSEN
DATE: APR 15 2002
CHECKED BY: 4012-121
DATE: 04-16-02

MISCELLANEOUS OPTIONS

A8.01