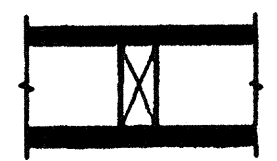
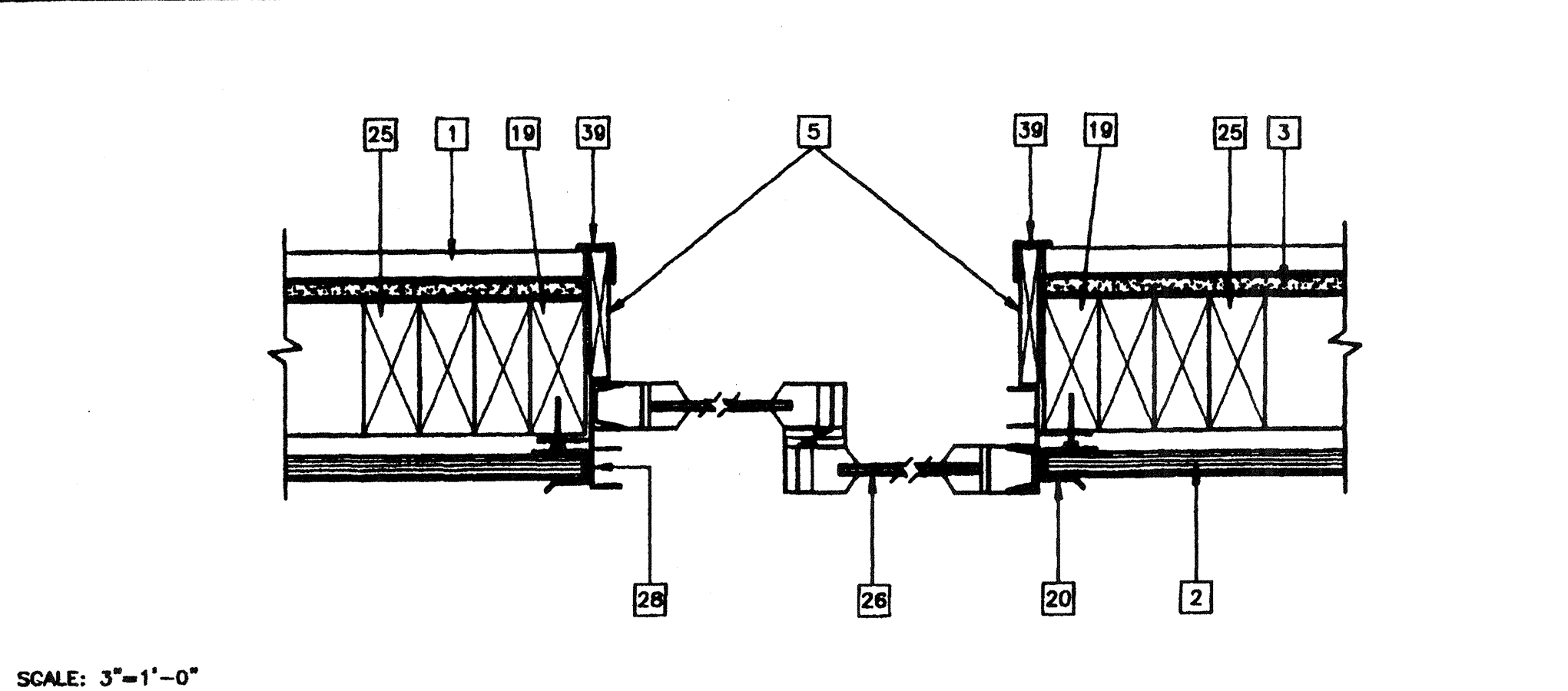


(SEE 14, 15/S4.02)

GA FILE No. WP 3510
**GYPSUM WALL BOARD
 WOOD STUDS**
 ONE LAYER 5/8" TYPE X GYPSUM WALL BOARD OR GYPSUM VENER BASE
 APPLIED PARALLEL OR AT RIGHT ANGLES TO EACH SIDE OF 2"x4" WOOD STUDS
 AT 24" OC WITH 6d COATED NAILS, 1 7/8" LONG, 0.0915 SHANK,
 1/4" HEADS, 7" OC.
 JOINTS STAGGERED 24" ON OPPOSITE ENDS (LOAD BEARING)

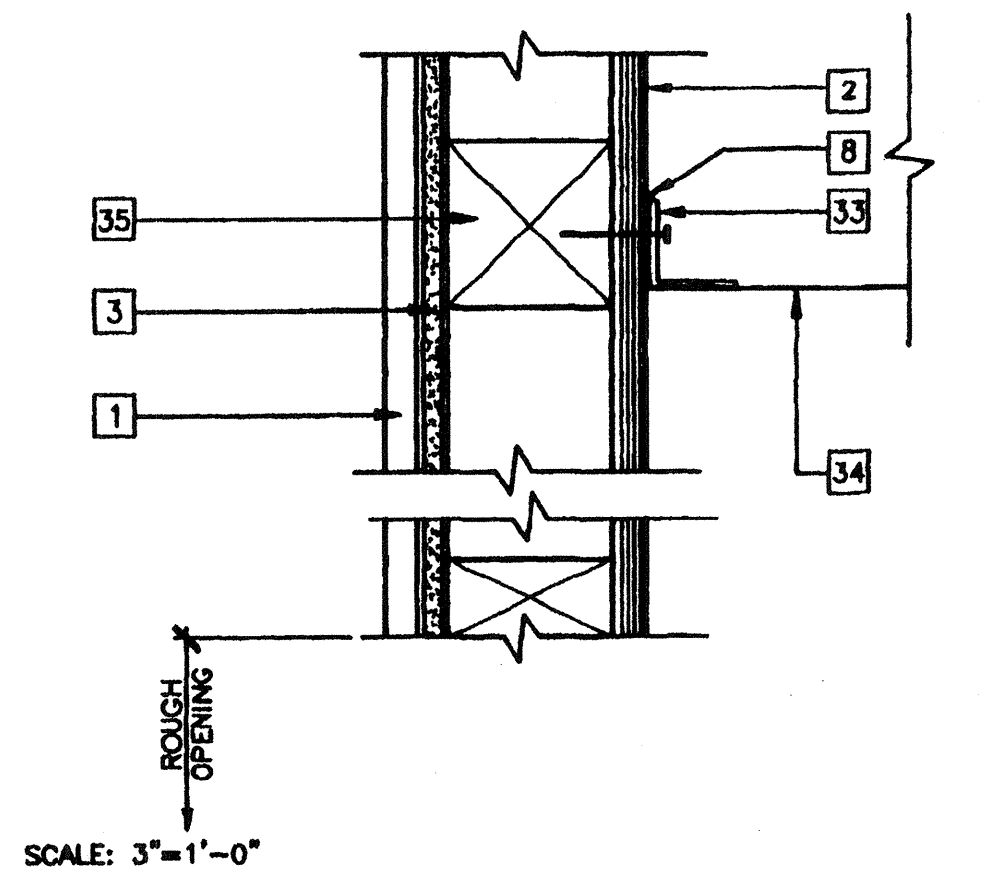


THICKNESS: 4 3/4"
 APPROXIMATE WEIGHT: 7 PSF
 FIRE TEST: UL R3501-47, -48, 9-17-85,
 DESIGN U309; UL R1319-129,
 7-22-70, DESIGN U314
 SOUND TEST: NCG 2404, 10-14-70 (OPTIONAL)
 SCALE: 1 1/2"=1'-0"



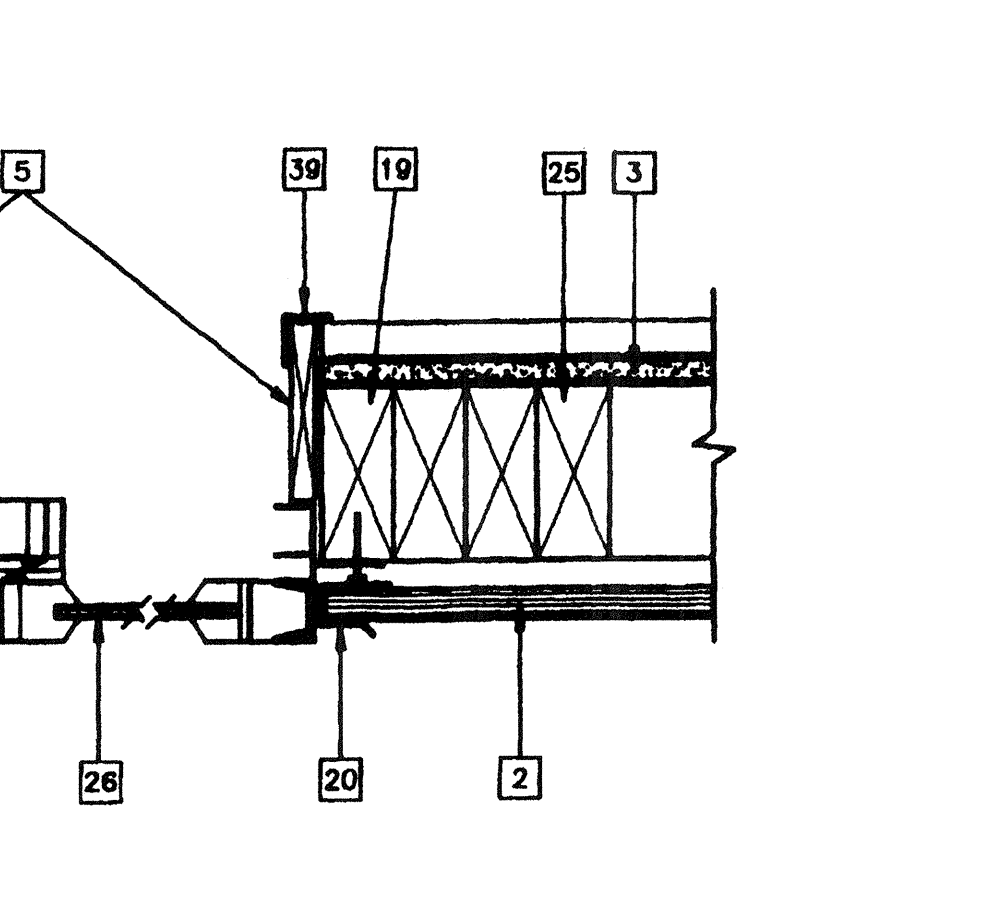
SCALE: 3"=1'-0"

16 WINDOWS SECTION AT JAMBS



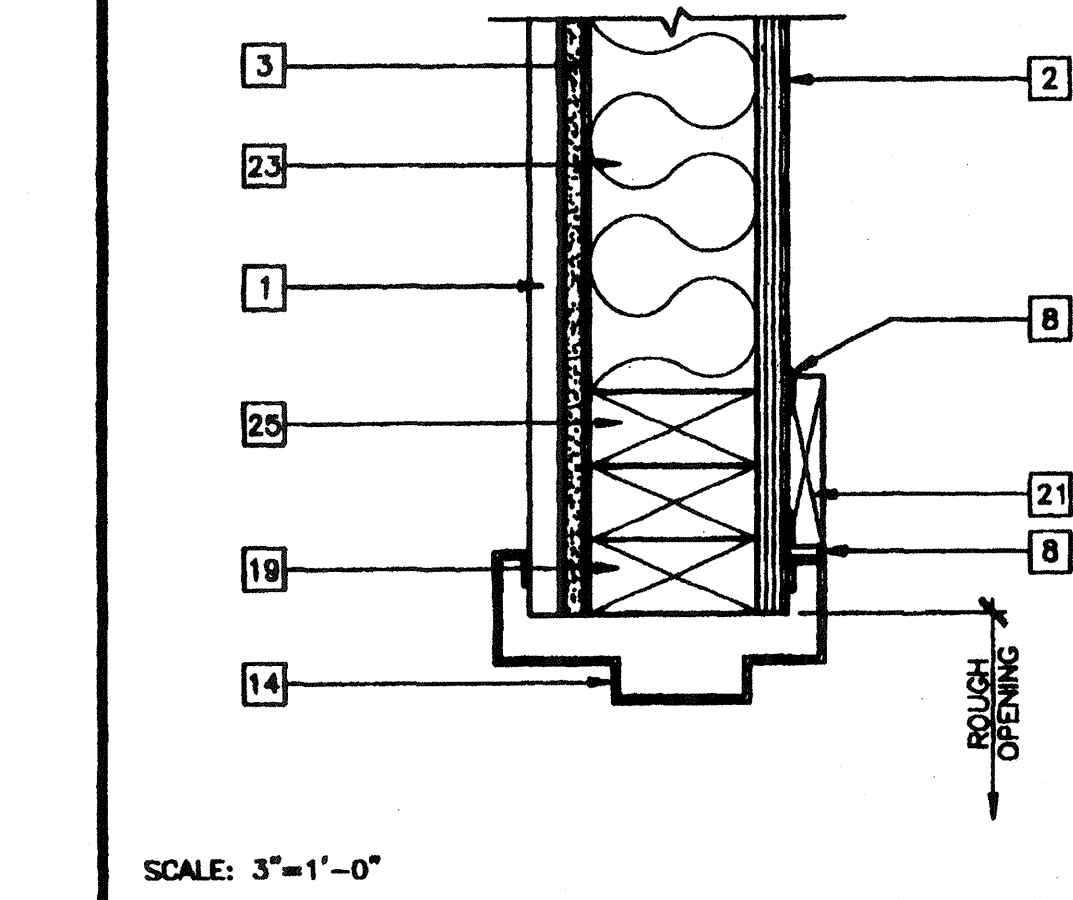
SCALE: 3"=1'-0"

13 HVAC MOUNT AT JAMBS



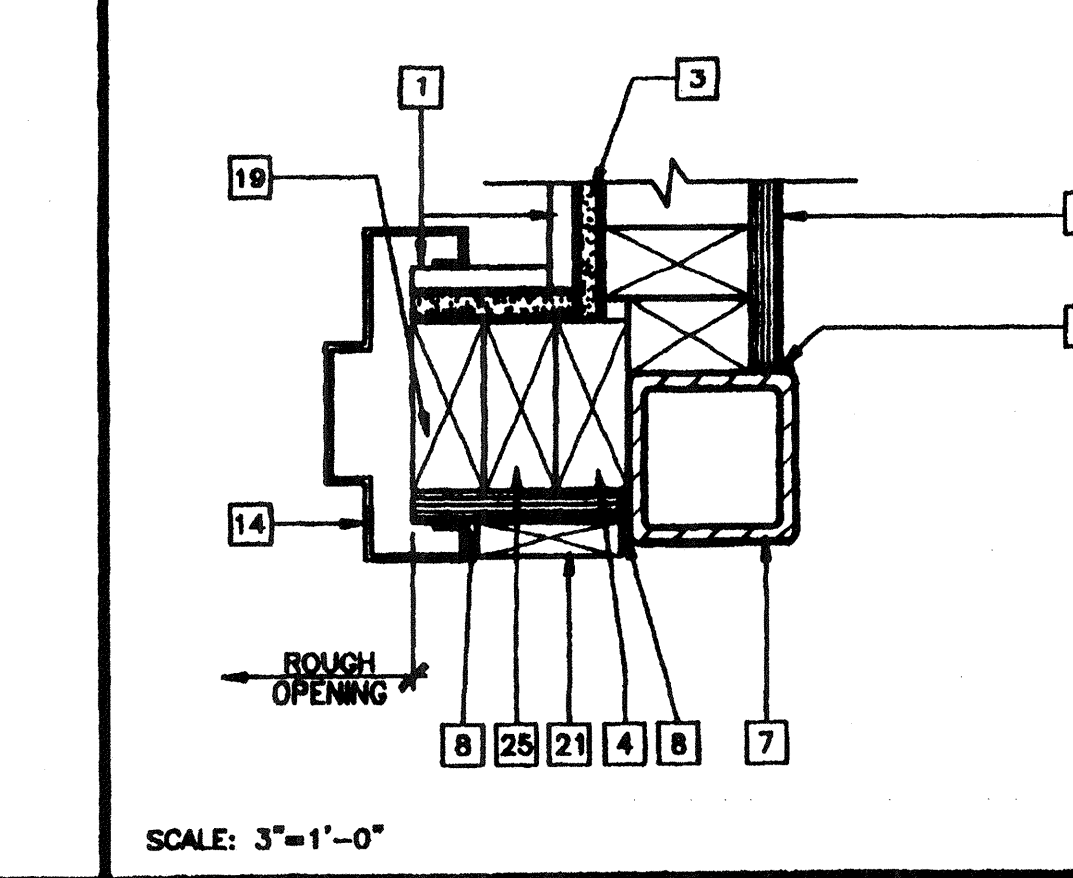
SCALE: 3"=1'-0"

10 WINDOW HEADER



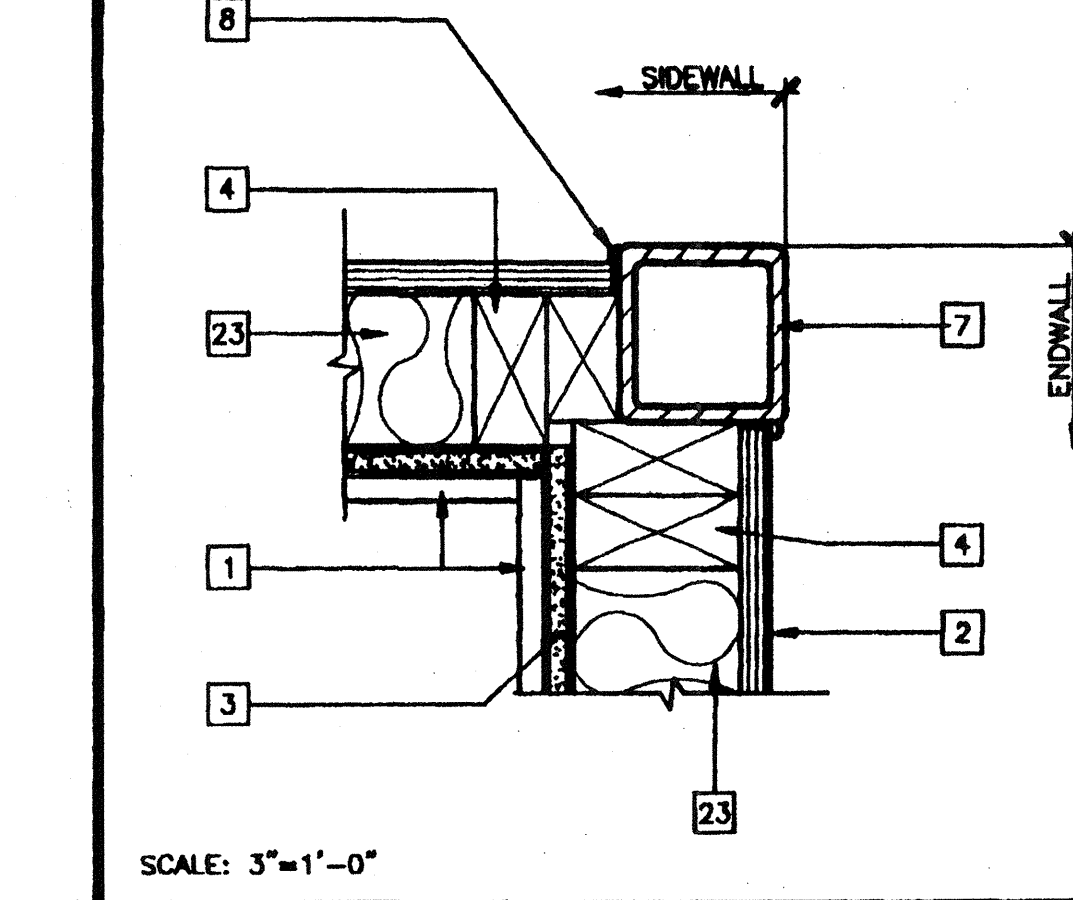
SCALE: 3"=1'-0"

9 EXTERIOR DOOR JAMB



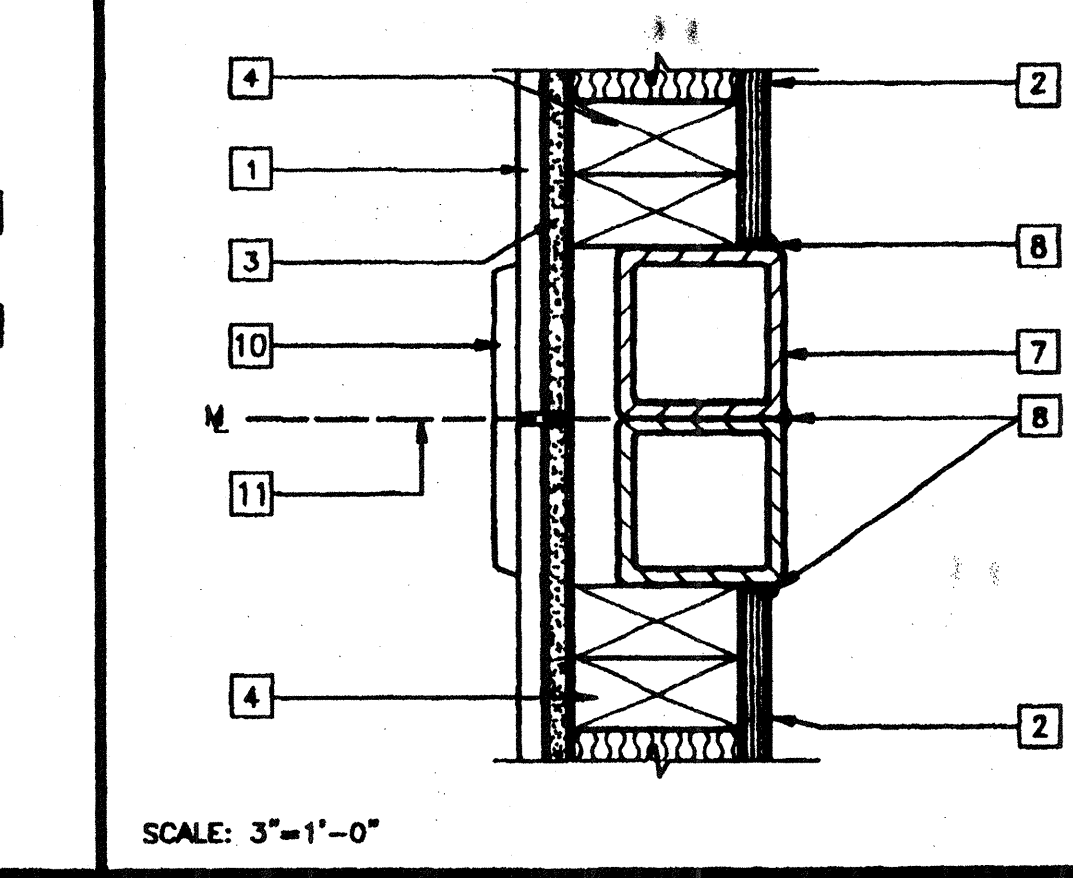
SCALE: 3"=1'-0"

10 EXTERIOR DOOR JAMB



SCALE: 3"=1'-0"

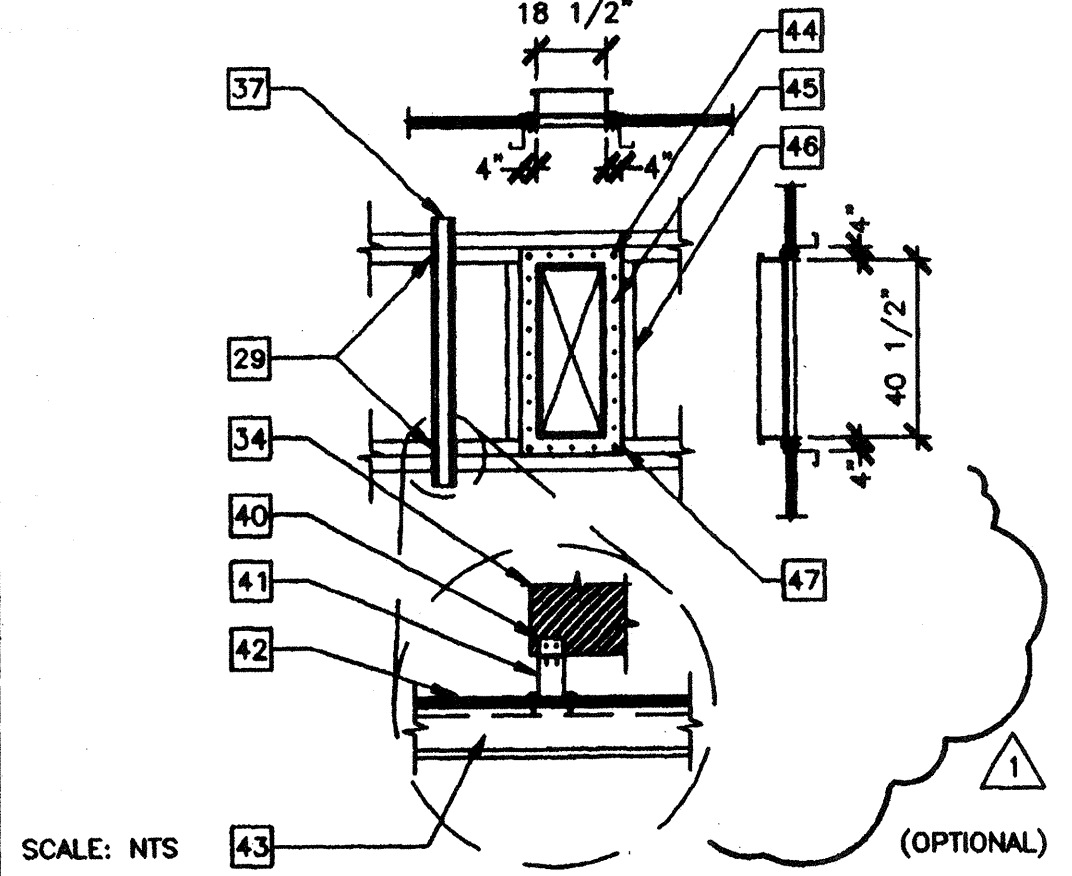
5 COLUMN AT CORNER



SCALE: 3"=1'-0"

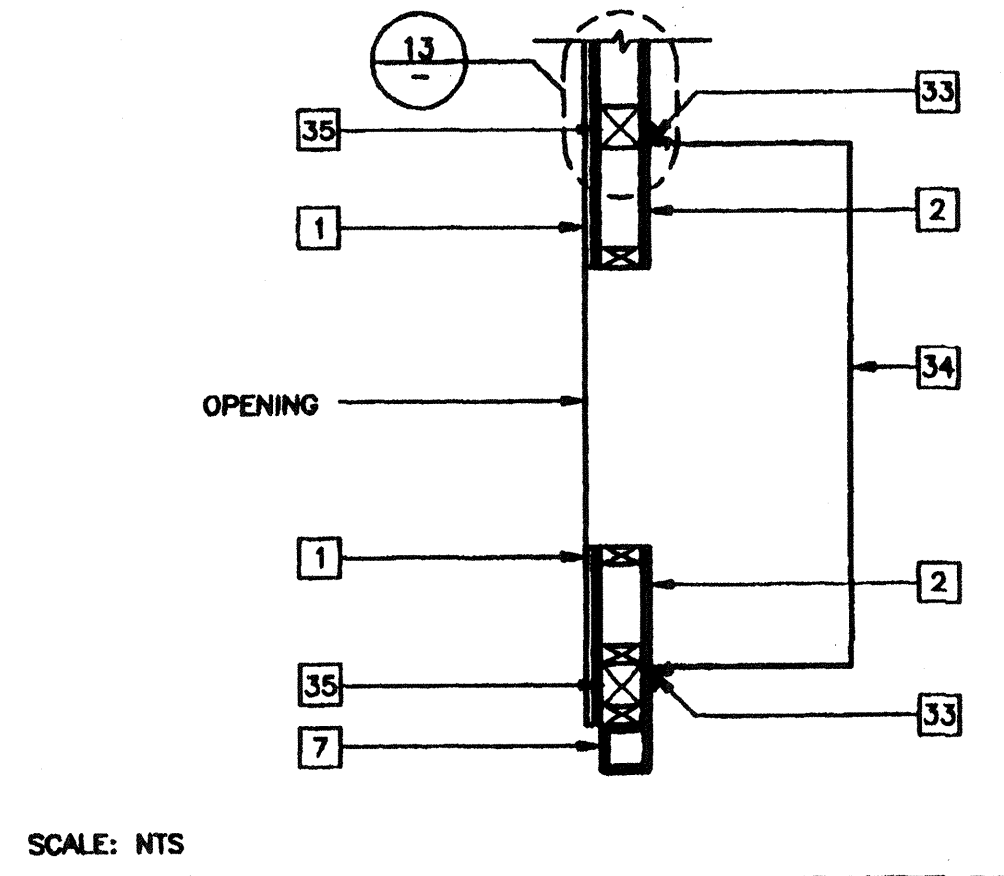
6 COLUMN AT MODLINE

16 ONE HOUR INTERIOR FIRE WALL



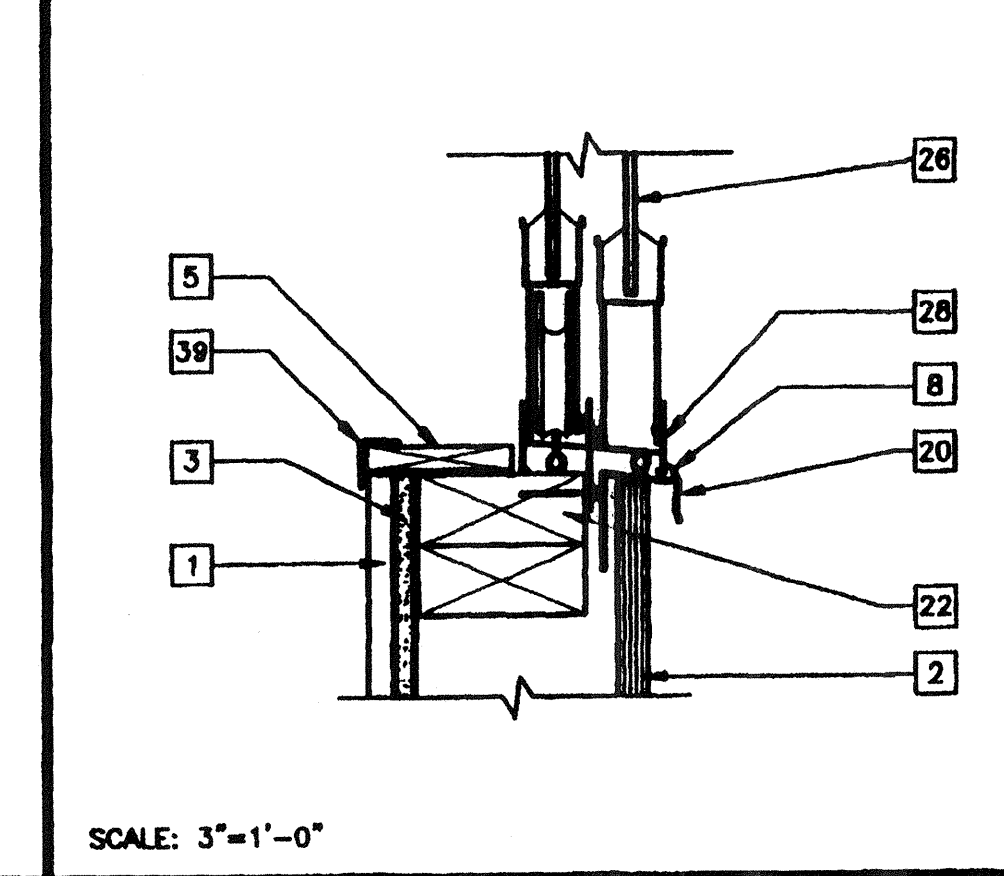
SCALE: NTS

13 HVAC MOUNT AT JAMBS



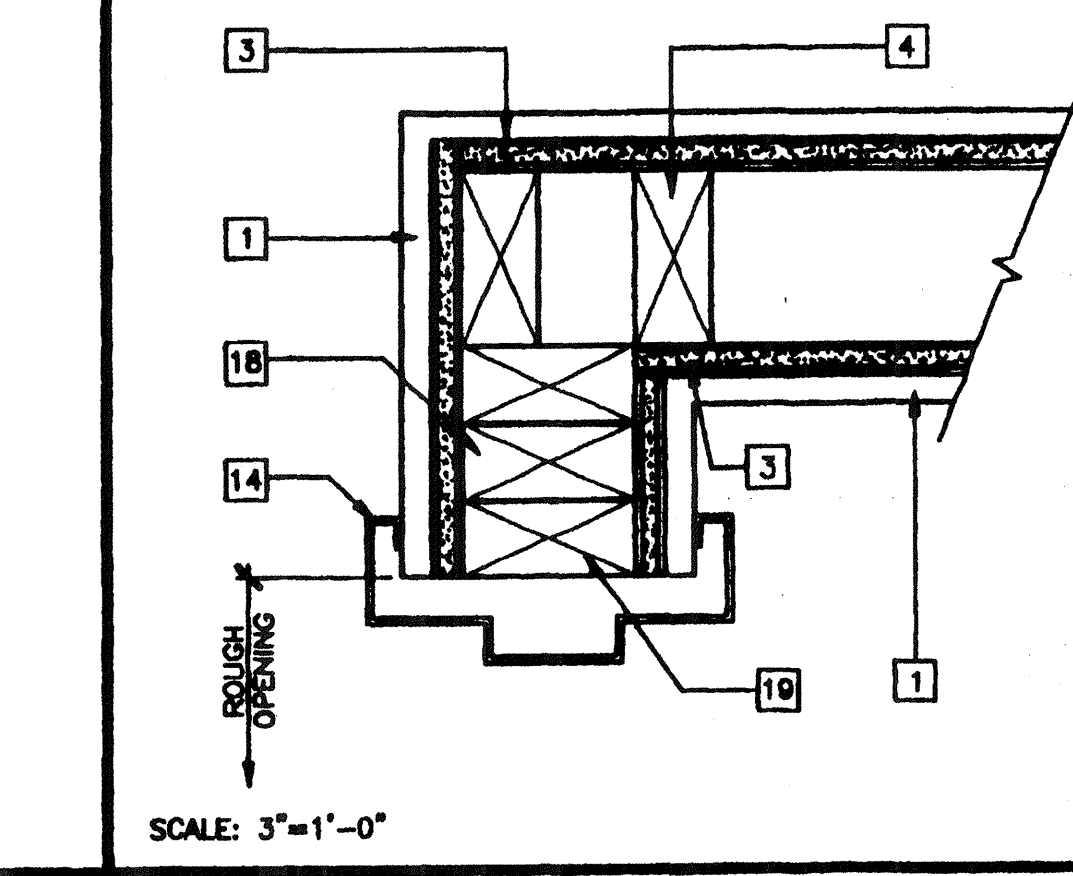
SCALE: NTS

10 WINDOW HEADER



SCALE: 3"=1'-0"

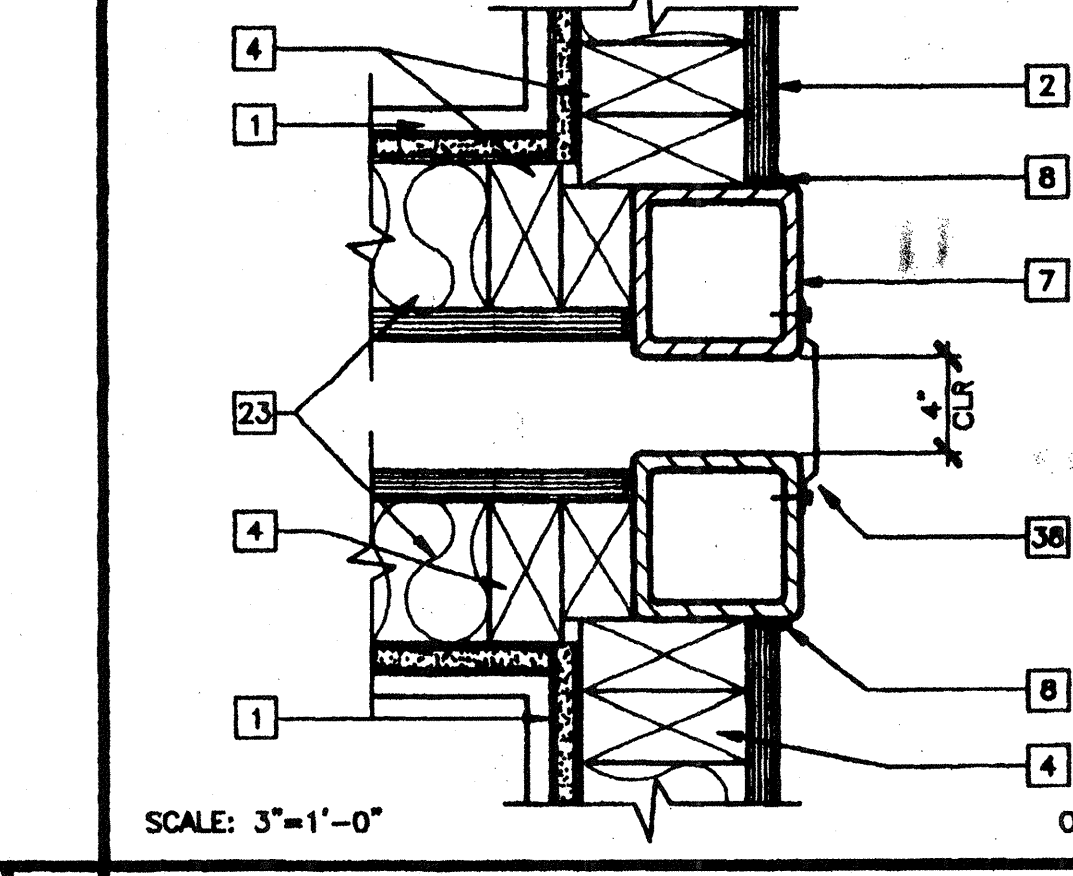
10 EXTERIOR DOOR JAMB



SCALE: 3"=1'-0"

11 INTERIOR DOOR JAMBS

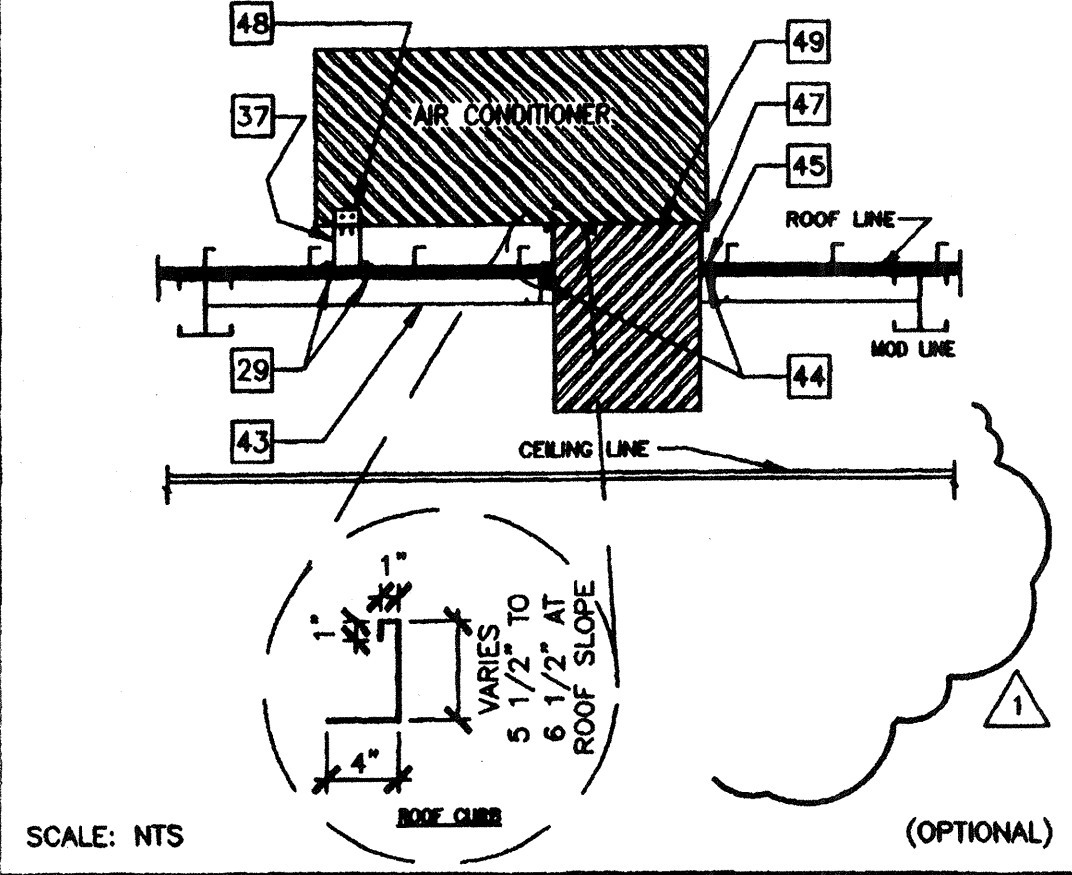
6 COLUMN AT MODLINE



SCALE: 3"=1'-0"

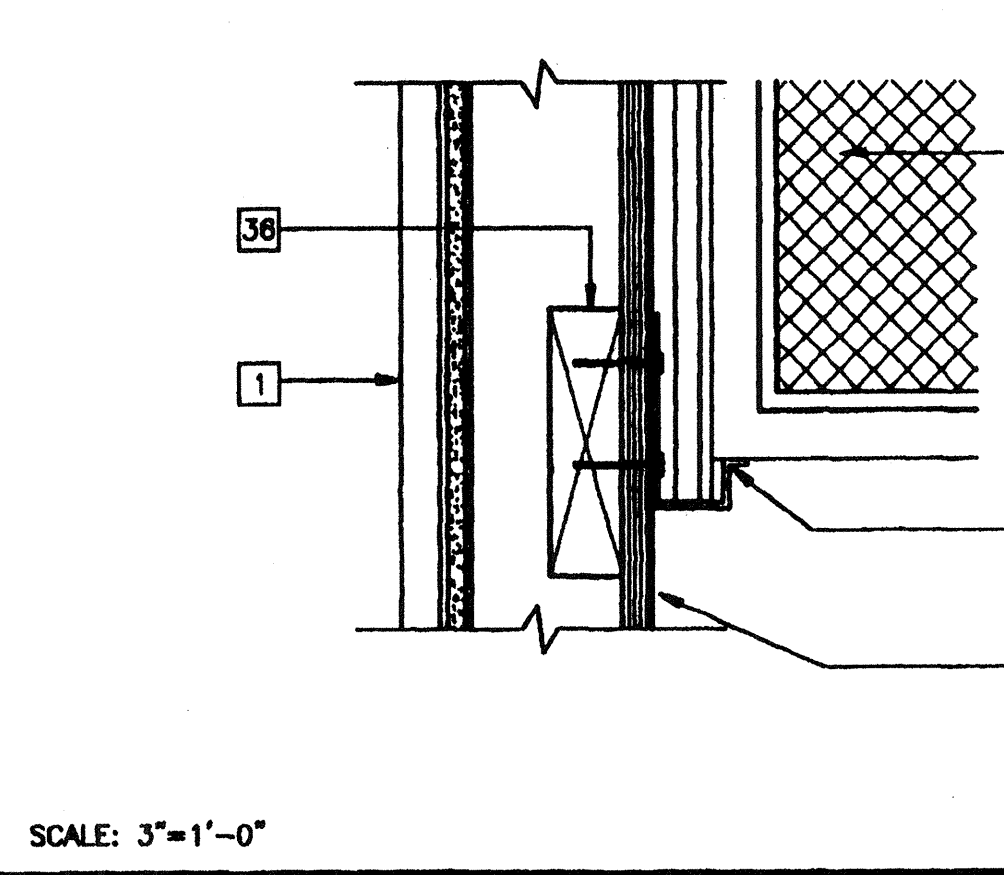
7 CLOSURE BETWEEN BUILDINGS

18 CURB ATTACHMENT ON METAL ROOFING



SCALE: NTS

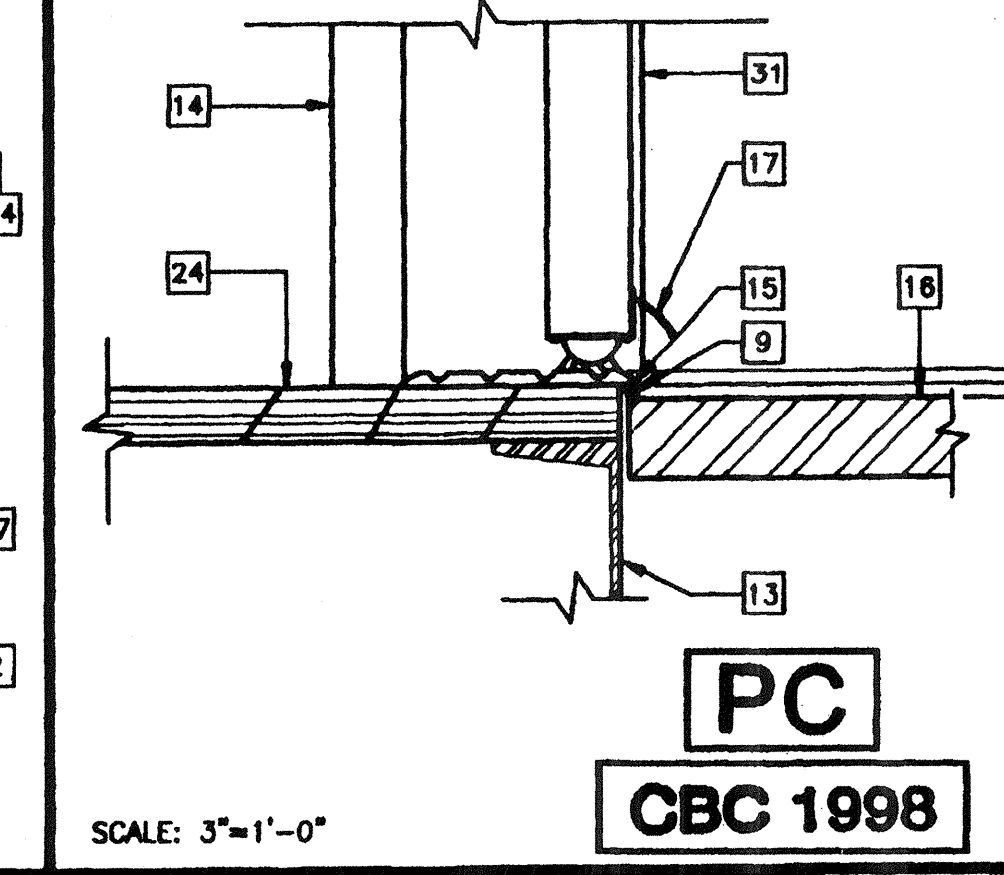
14 HVAC UNIT (PLAN)



SCALE: 3"=1'-0"

19 HVAC UNIT AT BOTTOM

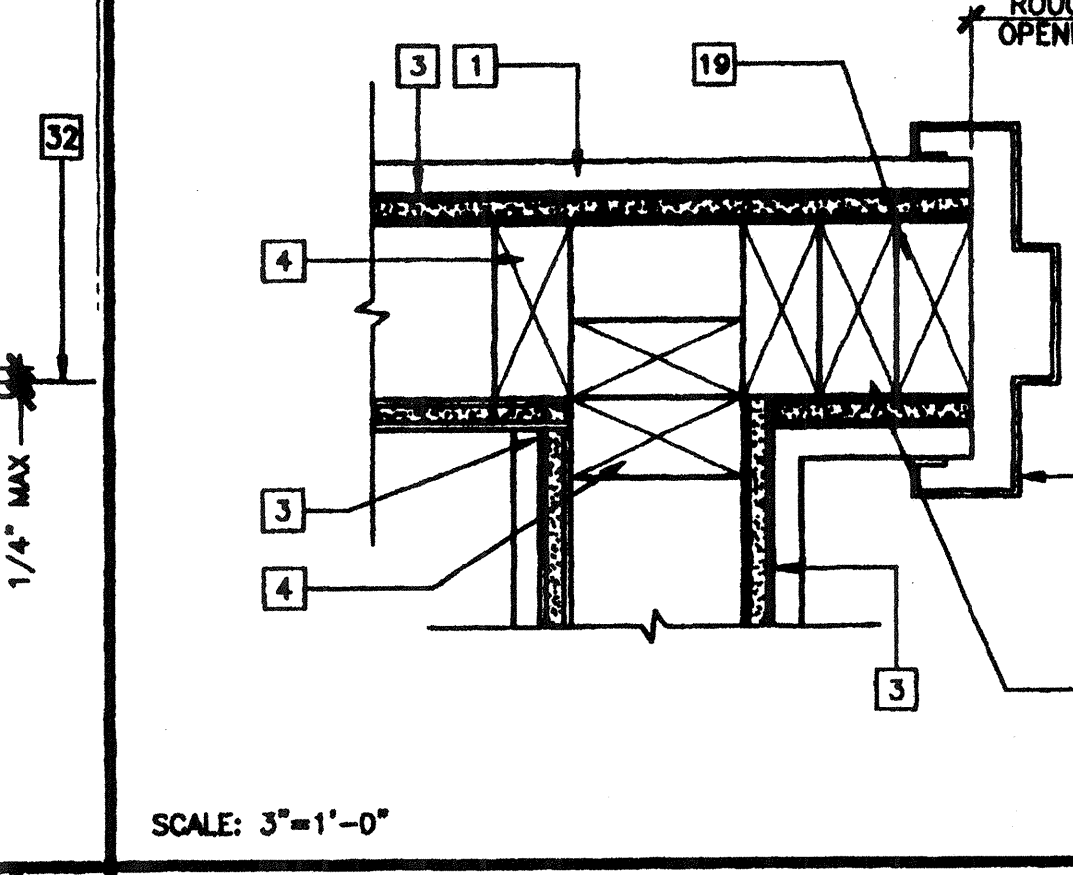
14 SILL PLATE



SCALE: 3"=1'-0"

15 THRESHOLD

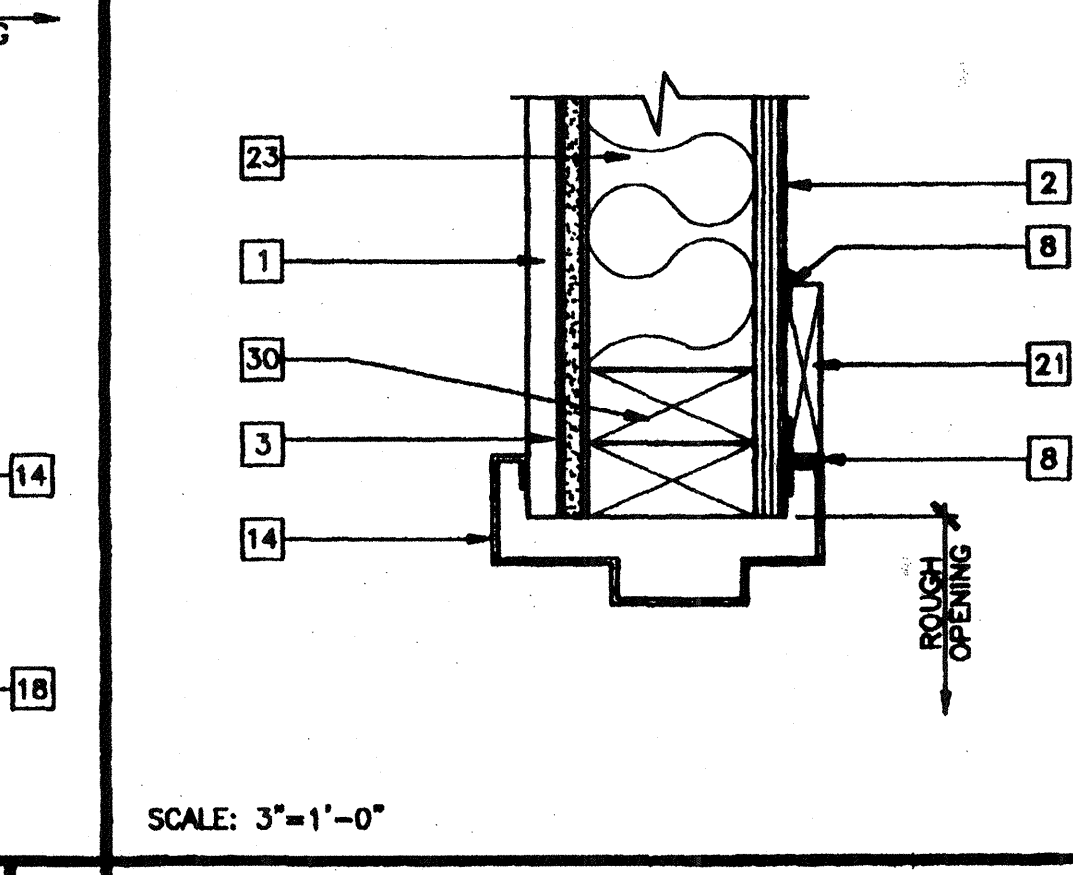
11 INTERIOR DOOR JAMBS



SCALE: 3"=1'-0"

12 INTERIOR DOOR JAMBS

7 CLOSURE BETWEEN BUILDINGS



SCALE: 3"=1'-0"

8 EXTERIOR DOOR HEADER

KEY NOTES

- 1 TYPICAL INTERIOR FINISH (FIN) - 1/A5.01
- 2 TYPICAL EXTERIOR FINISH (SEE EXTERIOR ELEVATIONS)
- 3 1/2" GYPSUM BOARD BACKING WITH 7d COOLER NAILS AT MAX 7" OC TYPICAL AT EACH STUD
- 4 2"x4" STUD TYPICAL
- 5 INTERIOR WOOD TRIM.
- 6 DRIP FLASH 26 GA
- 7 TUBE STEEL COLUMN (STR)
- 8 SEALANT TYPICAL (SEE SPECS.)
- 9 CAULKING
- 10 CLOSURE
- 11 MODULE JOINT
- 12 5/8" TYPE X GYPSUM BOARD
- 13 FLOOR BEAM (STR)
- 14 PRESSED STEEL FRAME - 6/A5.01
- 15 ALUMINUM THRESHOLD - 1/4" WITH 2:1 BEVEL - 8/A5.01
- 16 FINISH LANDING
- 17 DOOR BOTTOM - 6/A5.01
- 18 (2) 2"x4" KING STUD - 13/S4.02
- 19 2"x4" TRIMMER STUD - 13/S4.02
- 20 'J' MOLD 26 GA
- 21 1"x4" WOOD TRIM WITH 8d ELECTRO GALVANIZED AT 12" OC
- 22 SILL PLATE - 13/S4.02
- 23 INSULATION (SEE SPECS. FOR SIZE AND TYPE)
- 24 FINISH FLOORING - 1/A5.01
- 25 2"x4" FULL HEIGHT JAMB STUDS - 13/S4.02
- 26 WINDOW GLAZING - 3/A5.01
- 27 HVAC UNIT BOTTOM SEAT 12 GA#24" LONG WITH (6) 3/8" DIA#2" LAG BOLTS
- 28 ALUMINUM NAIL ON WINDOW FRAME. INSTALL WITH 8d BOX ELECTRO GALVANIZED NAILS AT 24" OC MAXIMUM WITH MINIMUM 3" BUILDING PAPER BETWEEN FRAME AND WALL.
- 29 #14 x2" SMS INTO PURLIN (TYP 4 PLACES)
- 30 HEADER - 13/S4.02
- 31 DOOR - 6/A5.01
- 32 FINISHED FLOOR LINE
- 33 HVAC SIDE BRACKET (FURNISHED WITH UNIT) ATTACH TO WALL WITH 3/4"x2" LAG SCREWS
- 34 HVAC UNIT (HV)
- 35 4"x4" POST OR ALTERNATE - (2) 2"x4" FULL HEIGHT STUDS WITH 1/2" PLYWOOD SPACER STITCH NAILED WITH 16d AT 12" OC STAGGERED
- 36 2"x6" LET-IN - S4.01
- 37 18 GA GALVANIZED IRON HAT
- 38 CLOSURE SCREEN
- 39 CORNER MOLDING
- 40 18 GA x2" WIDE ANGLE WITH 2-#10 SMS EACH LEG
- 41 18 GA x2" WIDE 5 1/2" DEEP 5' LONG RUNNER
- 42 3/4" PLYWOOD SHEATHING
- 43 14 GA x2" ROOF PURLIN AT 48" OC
- 44 #14 x2" SMS THRU ROOF CURBS INTO PURLIN (TYP 4 PLACES)
- 45 #8x3/4" SMS AT 5" OC MIN
- 46 ROOF PURLIN
- 47 24 GA ROOF CURB SECURE TO ROOF
- 48 18 GA x2" W/ANGLES SECURE TO A/C UNIT W/2 #10 SMS SECURE TO UNIT W/1 #14 SMS (TYP 2 PLACES)
- 49 #10 x3/4" SMS (TYP 4 PLACES)

REVISIONS

NO.	DESCRIPTION	DATE
1	MODTECH ENGINEERING CHANGE	09/28/00
2		
3		
4		

Electrical Engineer's Seal
 Mechanical Engineer's Seal
 Structural Engineer's Seal
 Architect's Seal

IDENTIFICATION STAMP
 DIV. OF THE STATE ARCHITECT
 OFFICE OF REGULATION SERVICES
 PC-04
 101268
 DATE: 09-28-00
 REVISED OCT 02 2000

MODTECH INC.
 2830 BARRETT AVENUE
 PERRIS, CALIF. 92572
 PH (909) 943-4014
 FAX (909) 940-0427

PROJECT NUMBER: 4134
 FILE NO. 15-6
 IDENTIFICATION STAMP
 DIV. OF THE STATE ARCHITECT
 OFFICE OF REGULATION SERVICES
 03-117283
 APR 18 2002

AGENCY TRACKING NO. 63321-201
 FILE NO. 15-6
 STRP-62
 DRAWN BY: M. ANDERSEN
 DATE: APR 15 2002
 CHECKED BY: 4012-121
 DATE: 04-16-02
 MODTECH INDEX NO.
A6.01