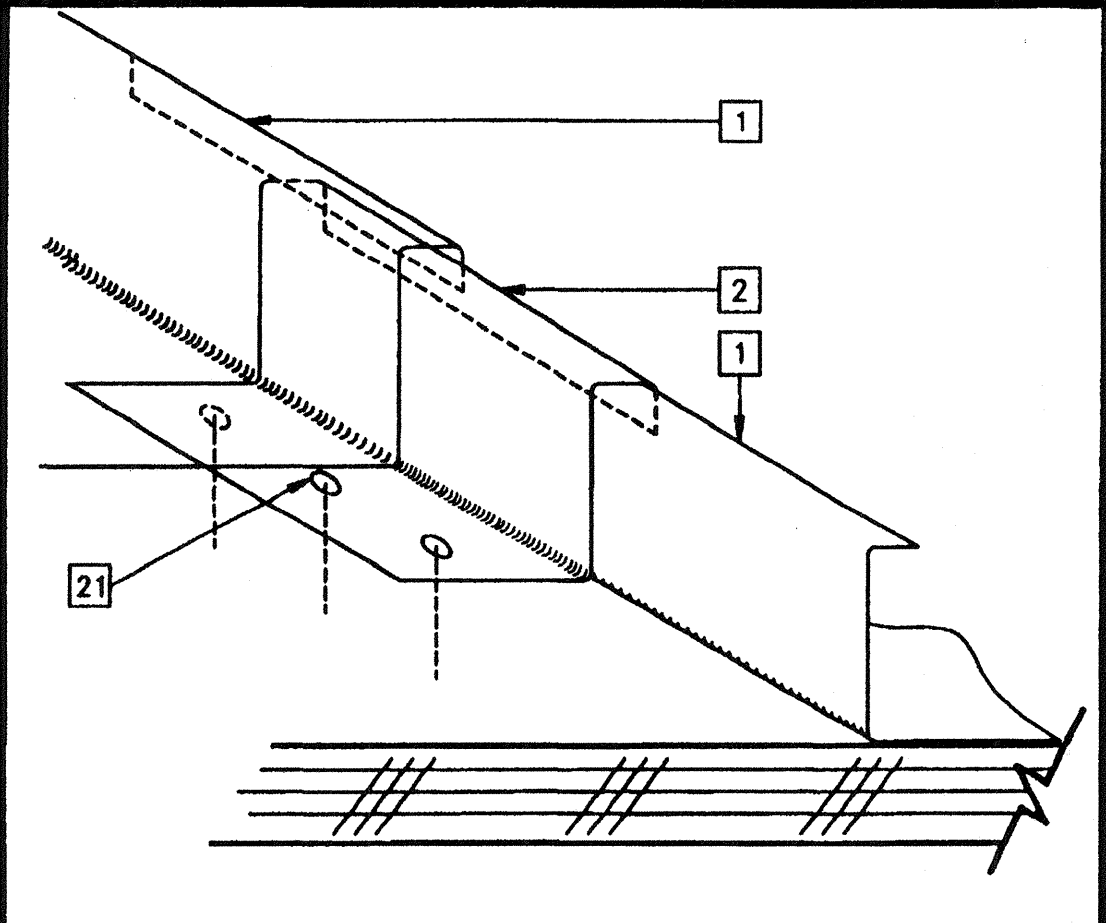
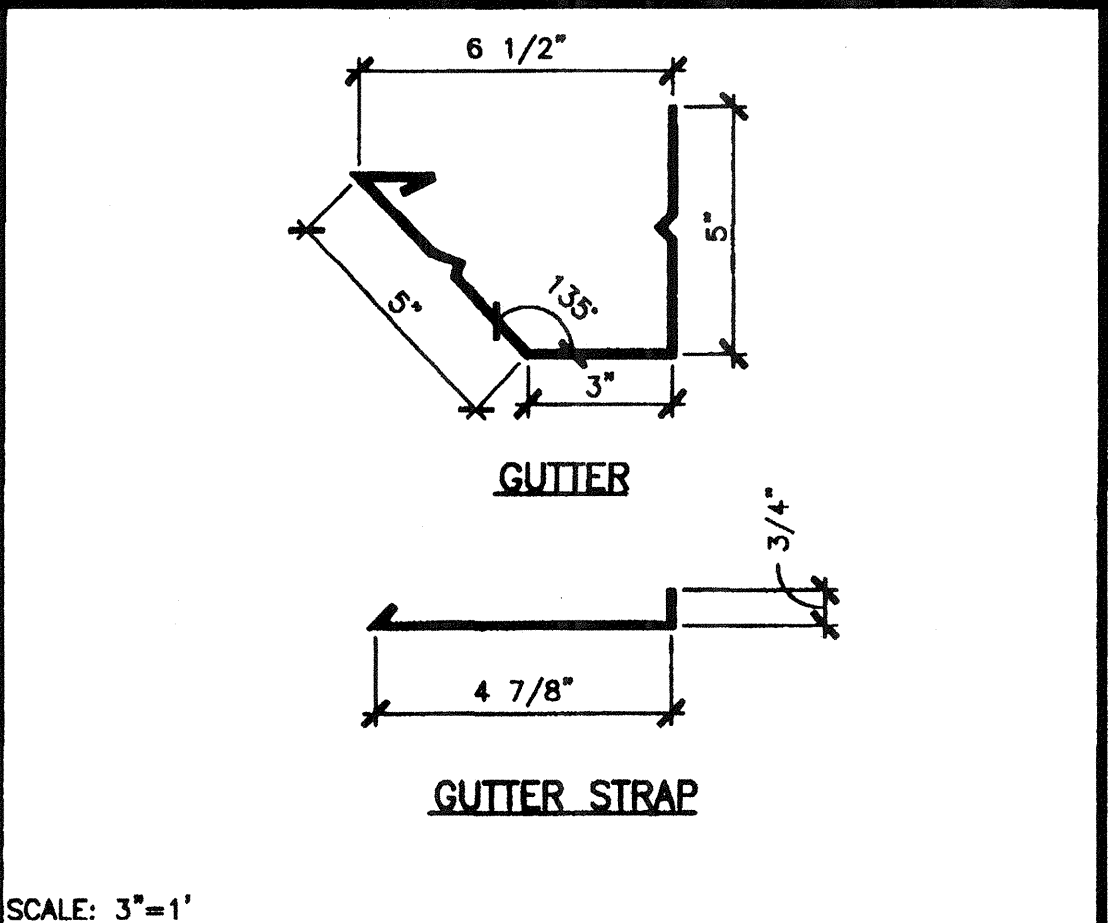


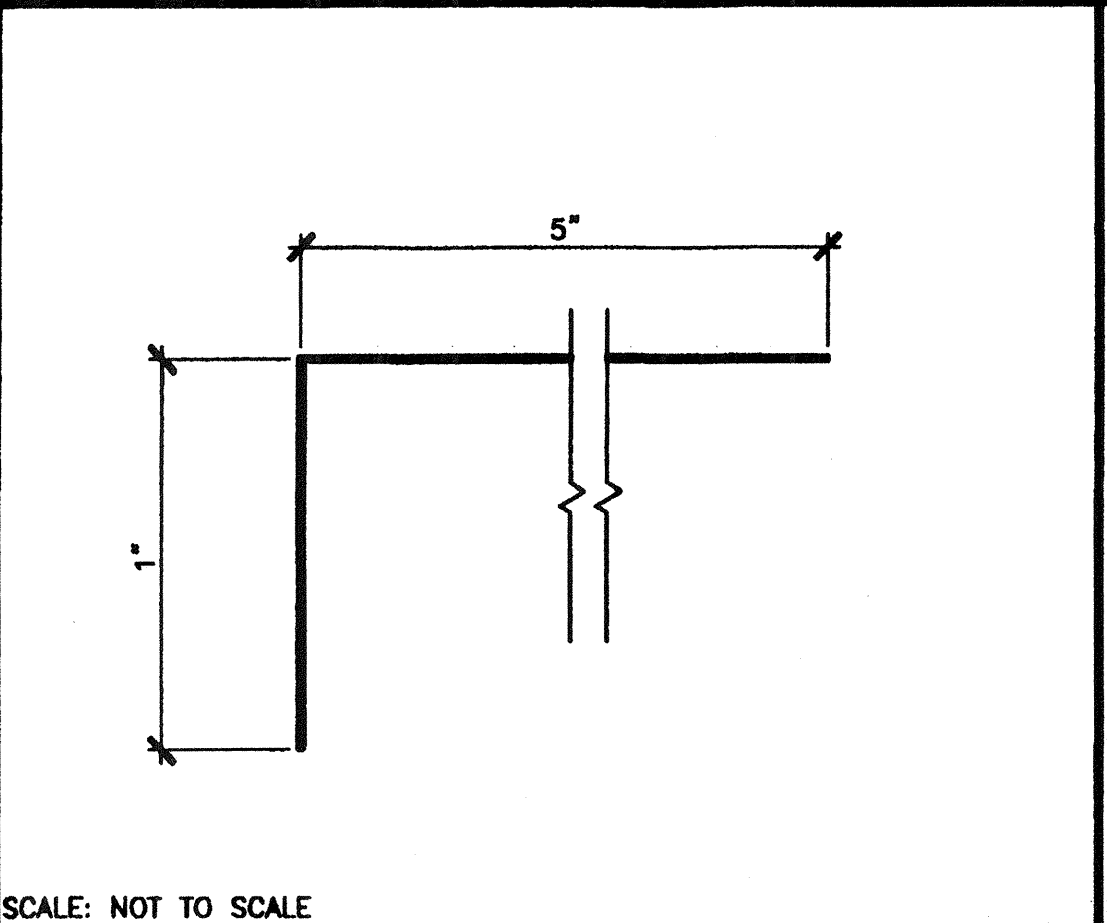
SCALE: 3"=1'  
**ROOF FLASHING AT HIGH SIDE 17**



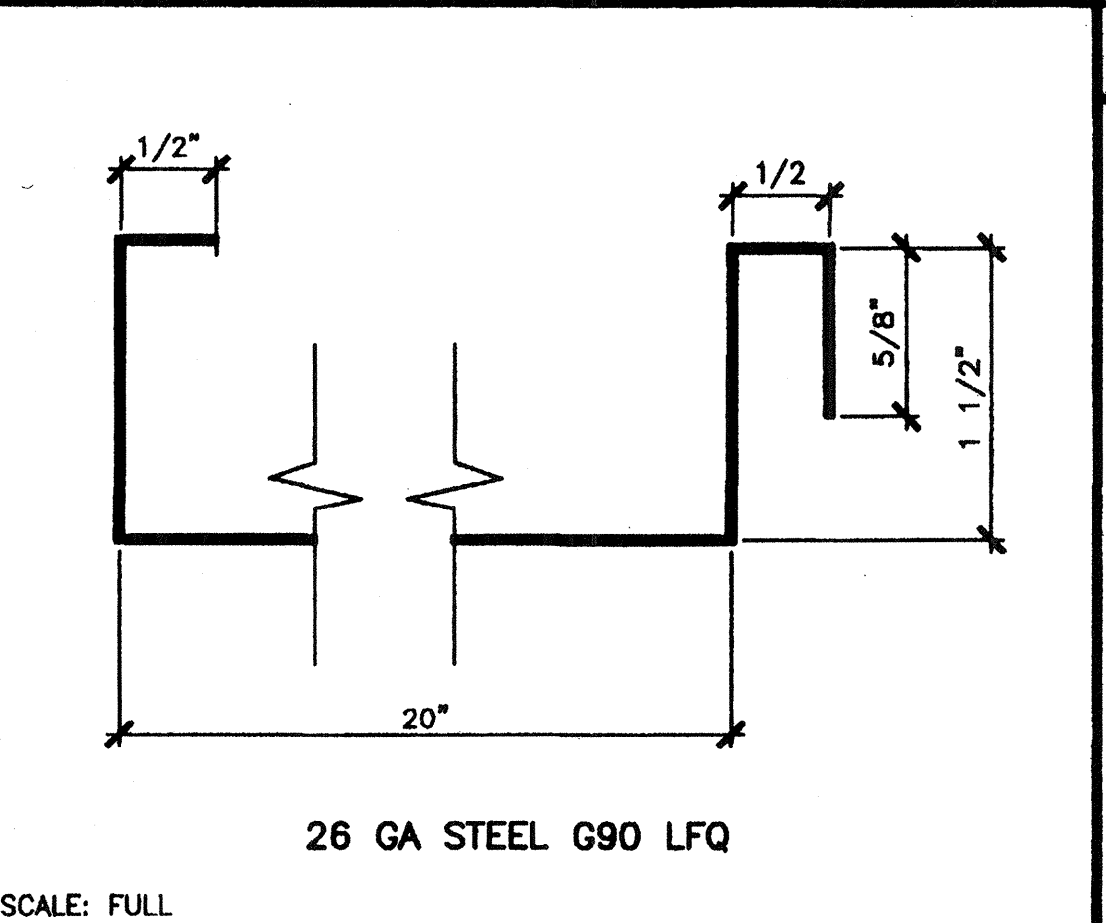
**ROOF STANDING SEAM 13**



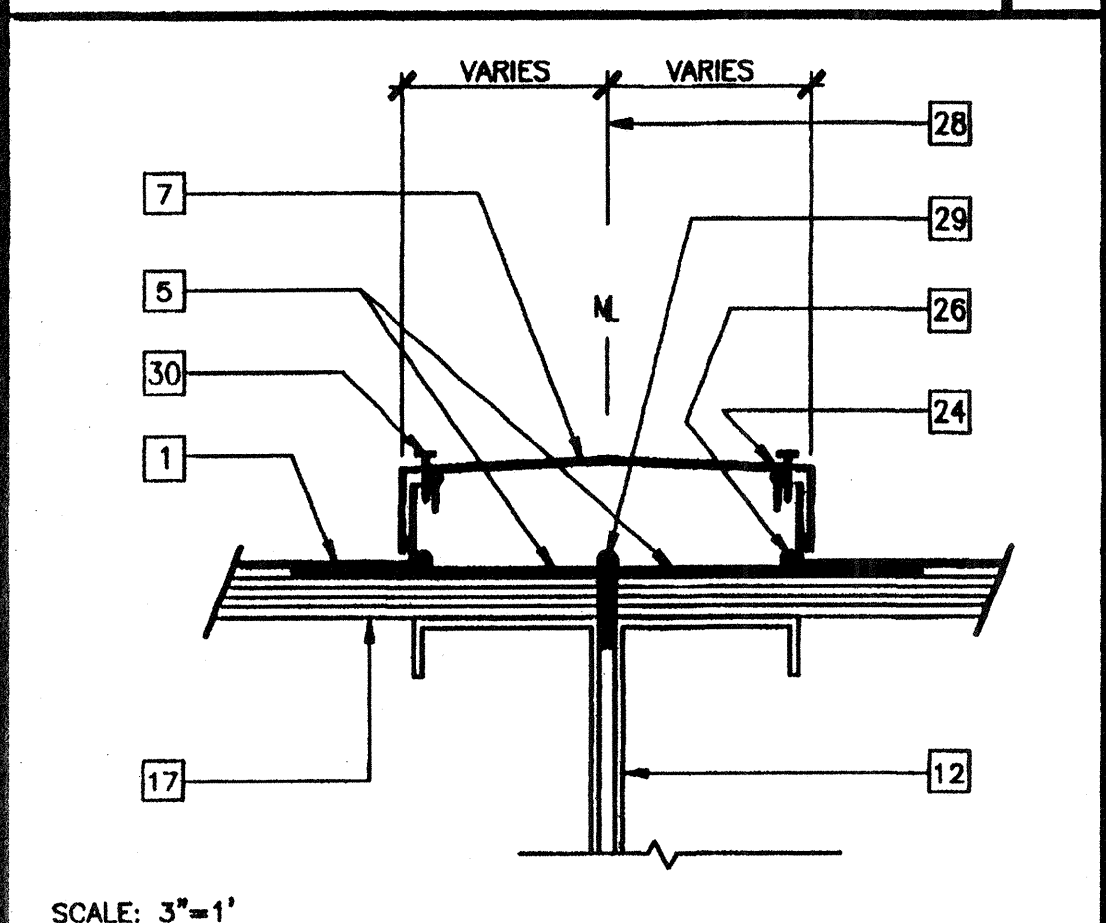
SCALE: 3"=1'  
**26 GA GUTTER AND GUTTER STRAP 9**



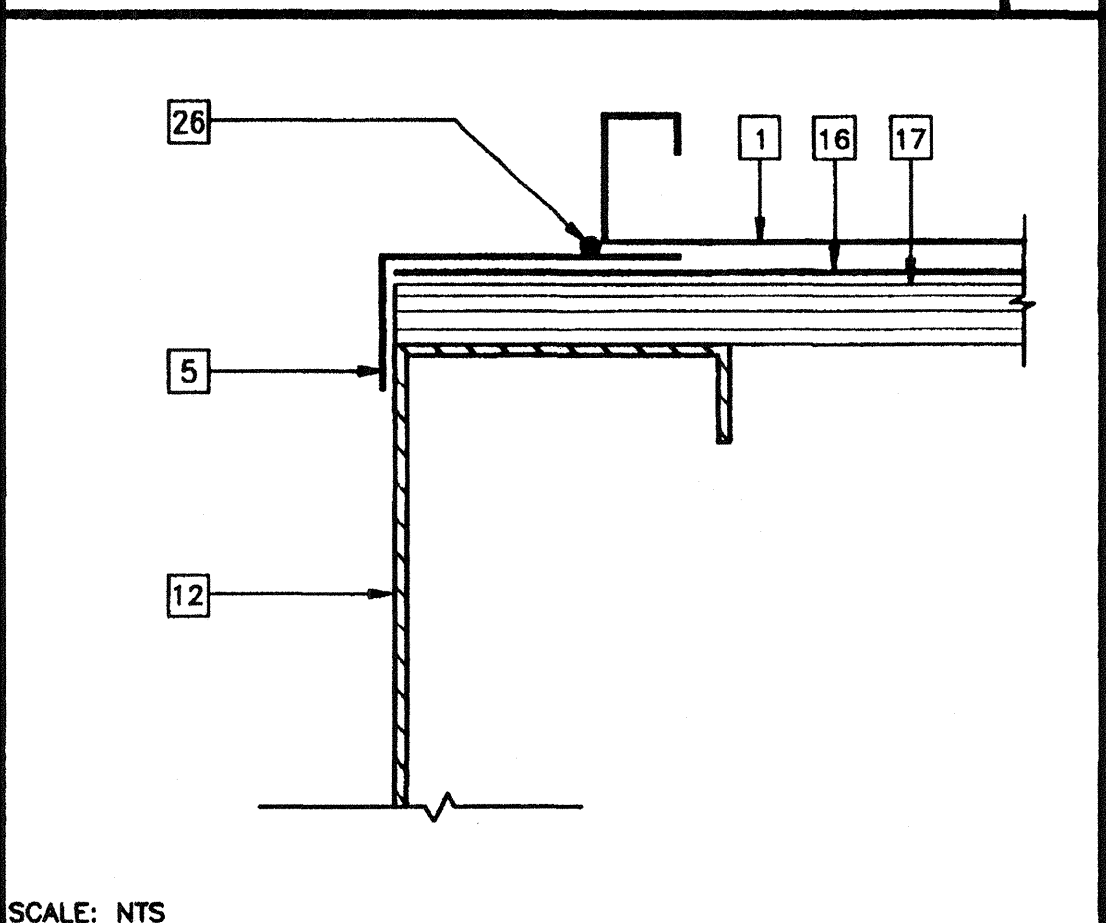
SCALE: NOT TO SCALE  
**FLASHING AT MODLINE WALL 5**



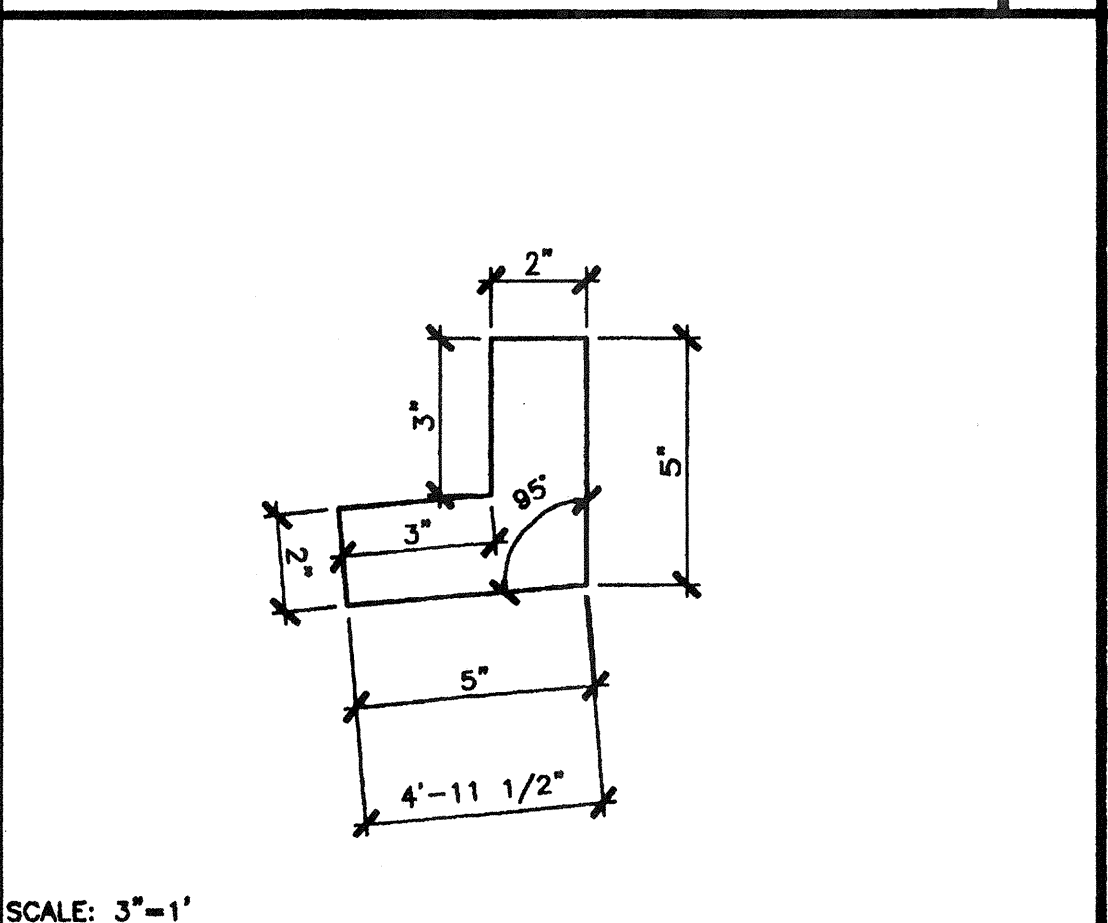
SCALE: FULL  
**ROOF PAN 1**



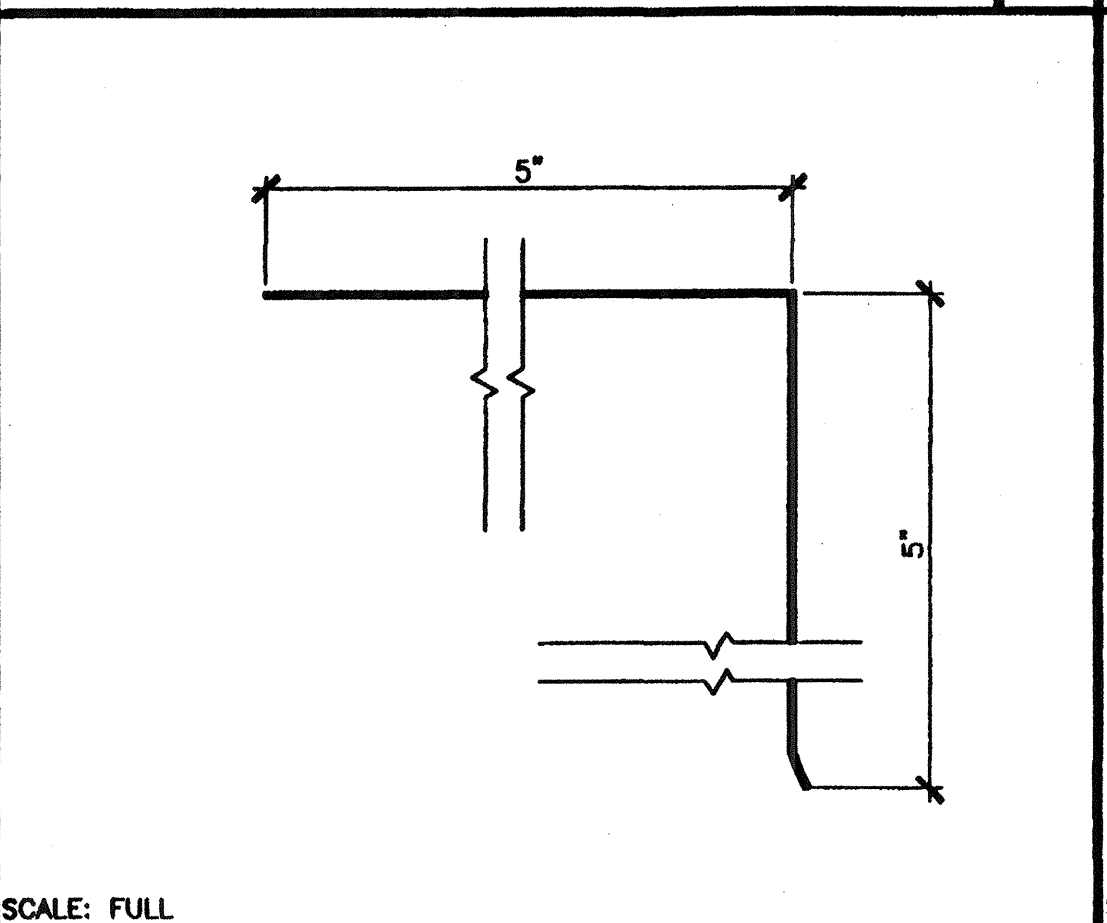
SCALE: 3"=1'  
**MODLINE ROOF CAP 18**



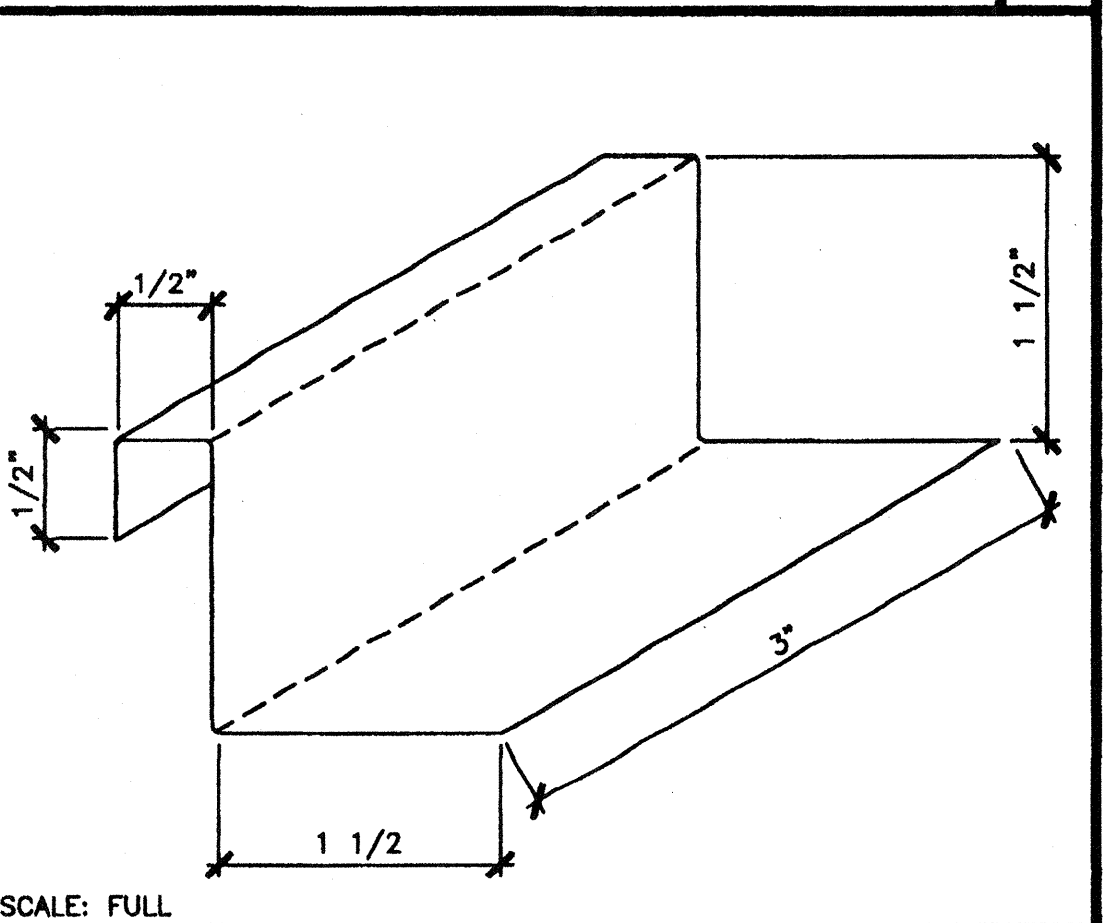
SCALE: NTS  
**ENDS ROOF PAN CONNECTION 14**



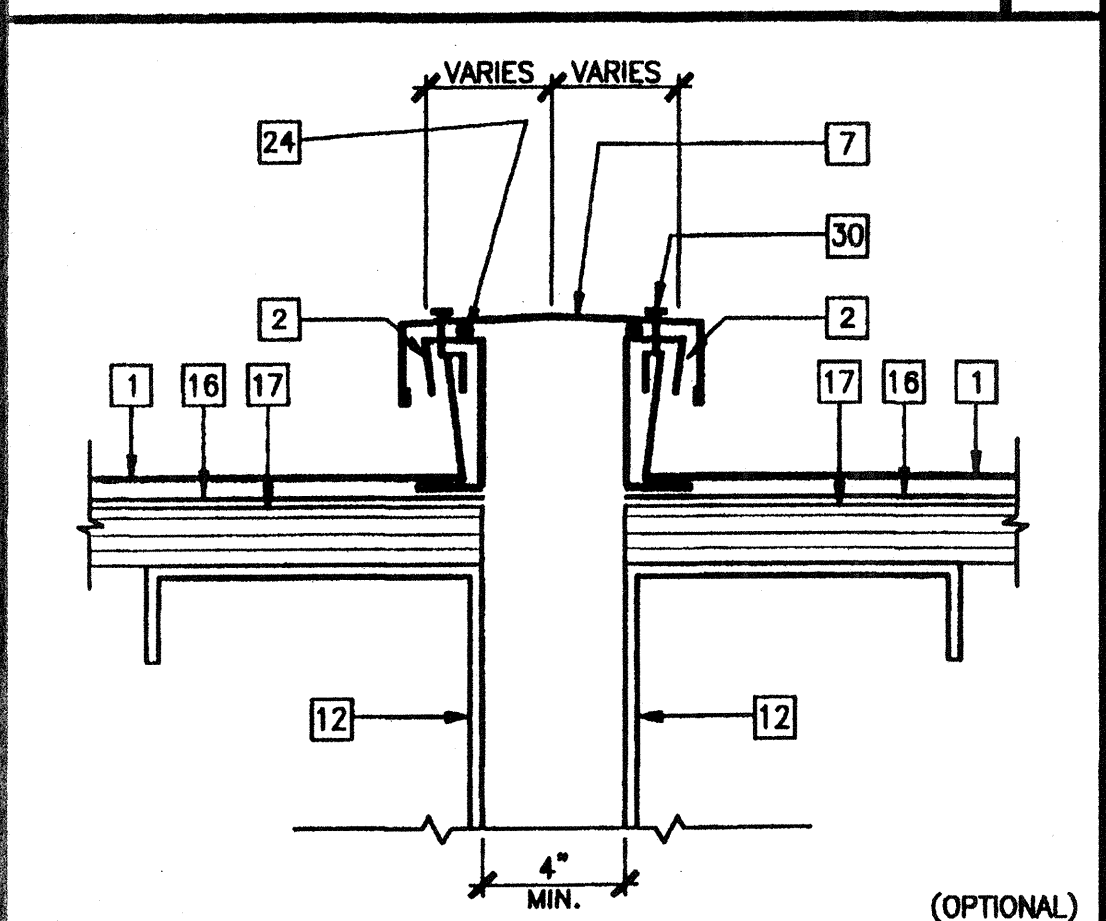
SCALE: 3"=1'  
**DOWNSPOUT AT BEND 10**



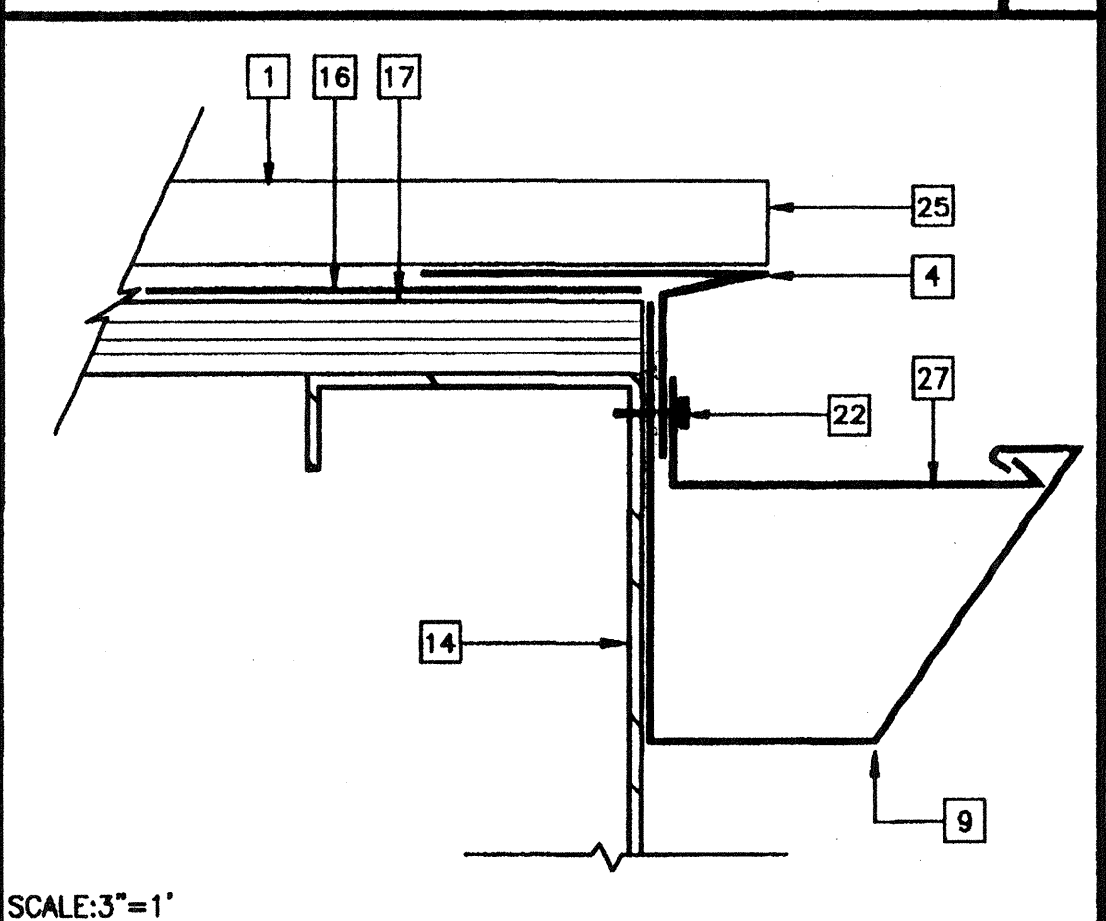
SCALE: FULL  
**ROOF FLASHING AT HIGH SIDE 6**



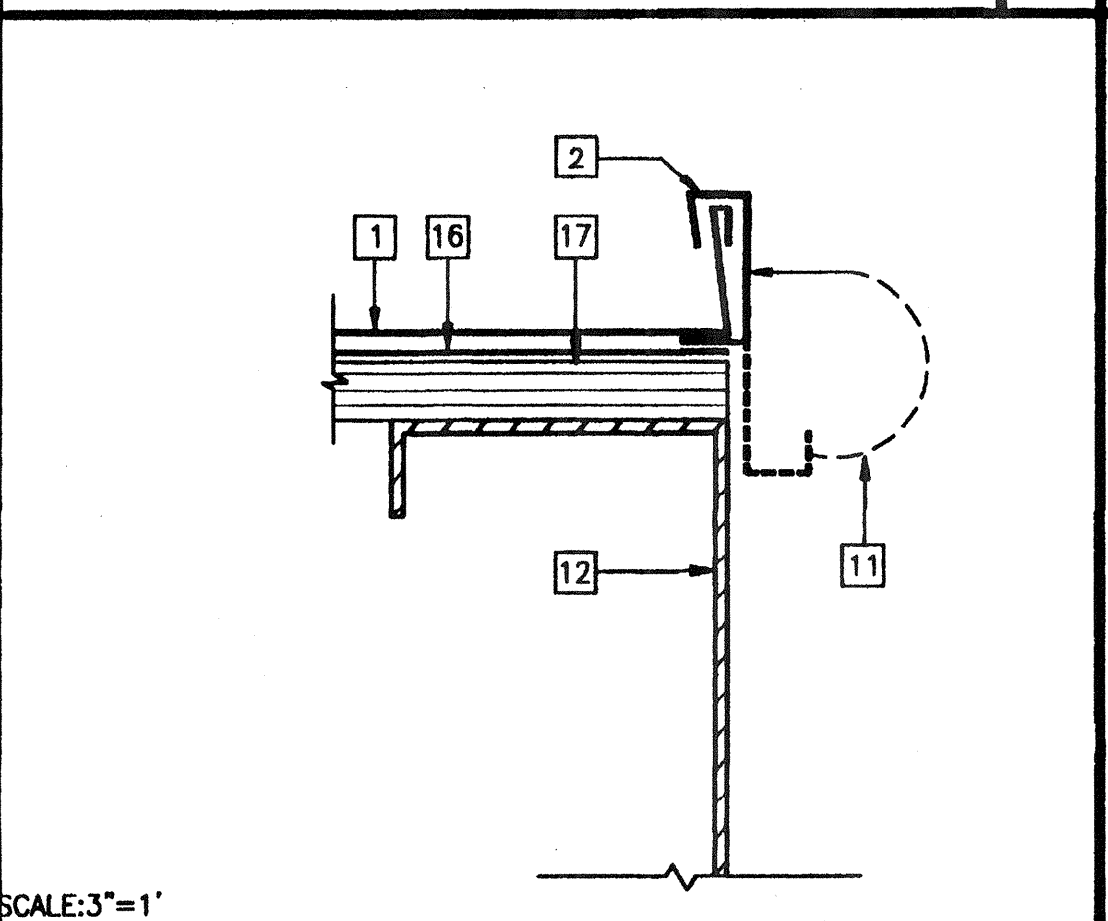
SCALE: FULL  
**ROOF CLIP 2**



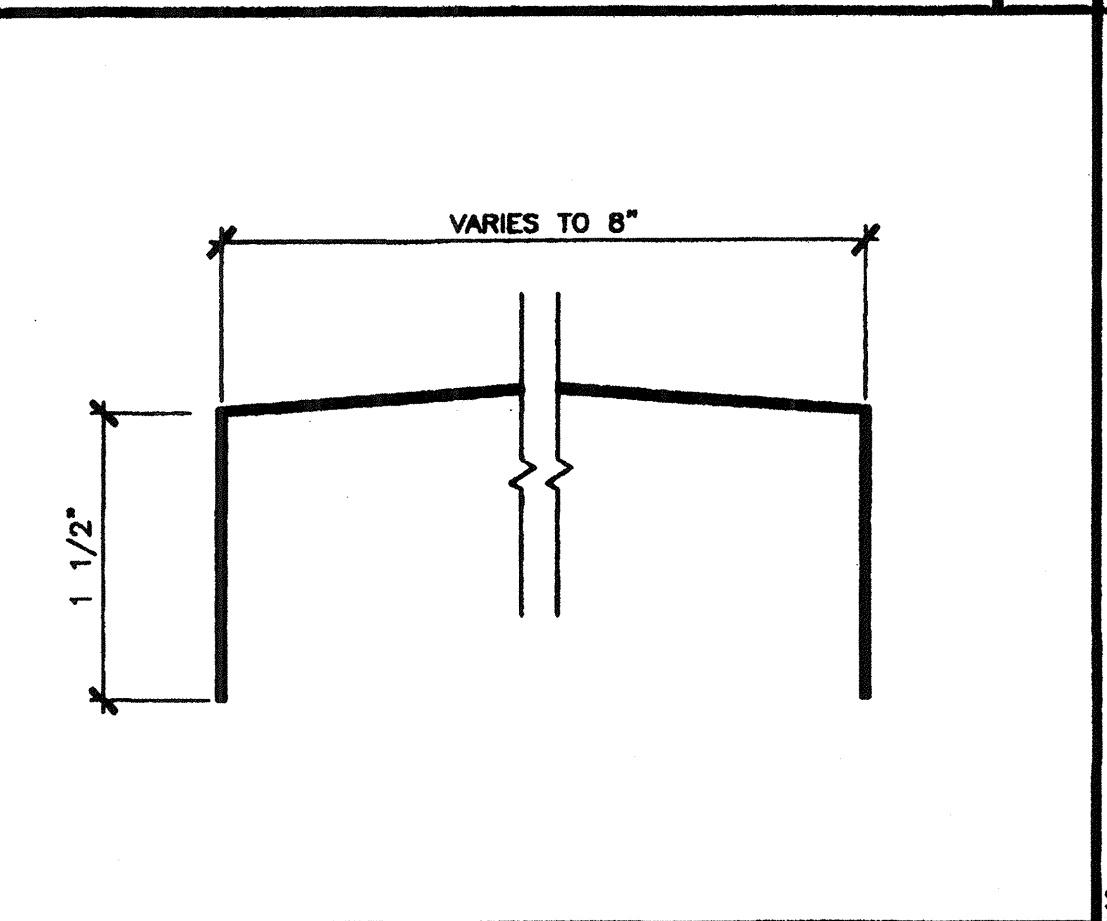
SCALE: 3"=1'  
**ROOF CAP AT 4' SEPARATION 19**



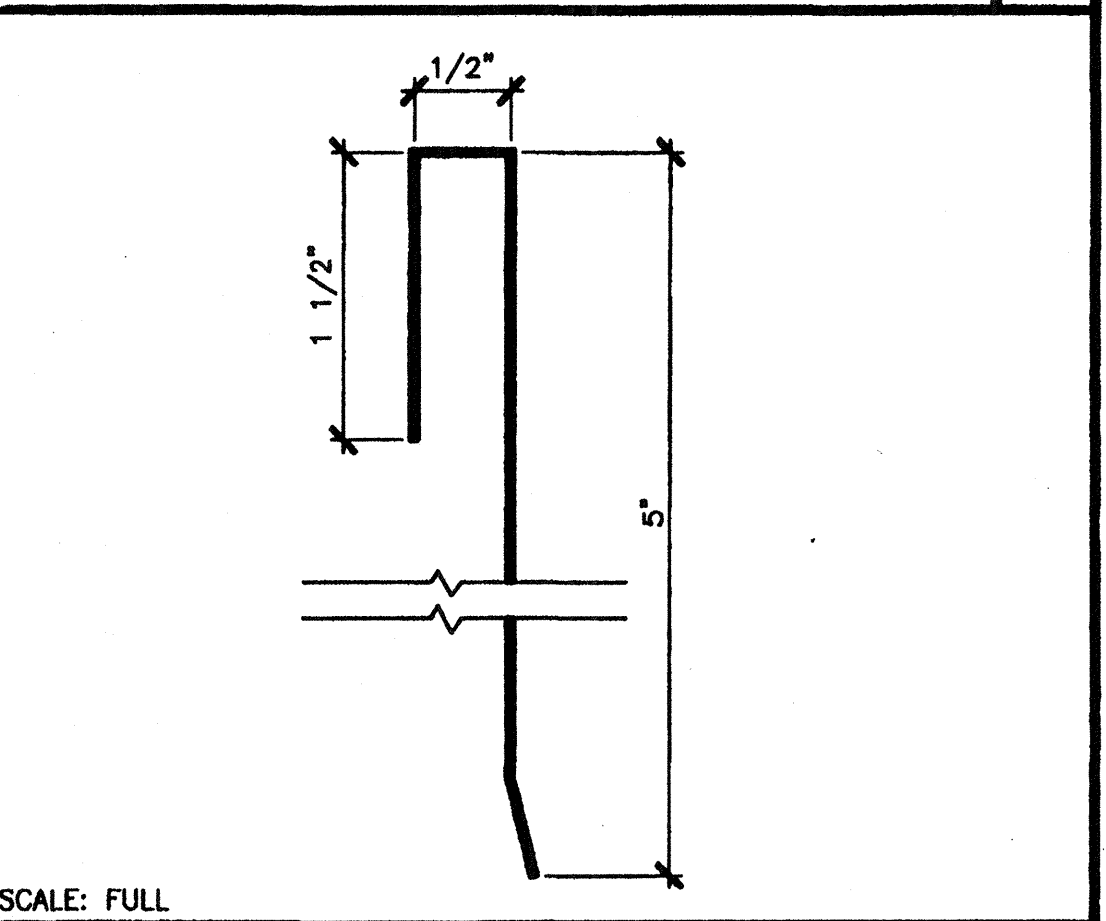
SCALE: 3"=1'  
**GUTTER AT ROOF FASCIA BEAM 15**



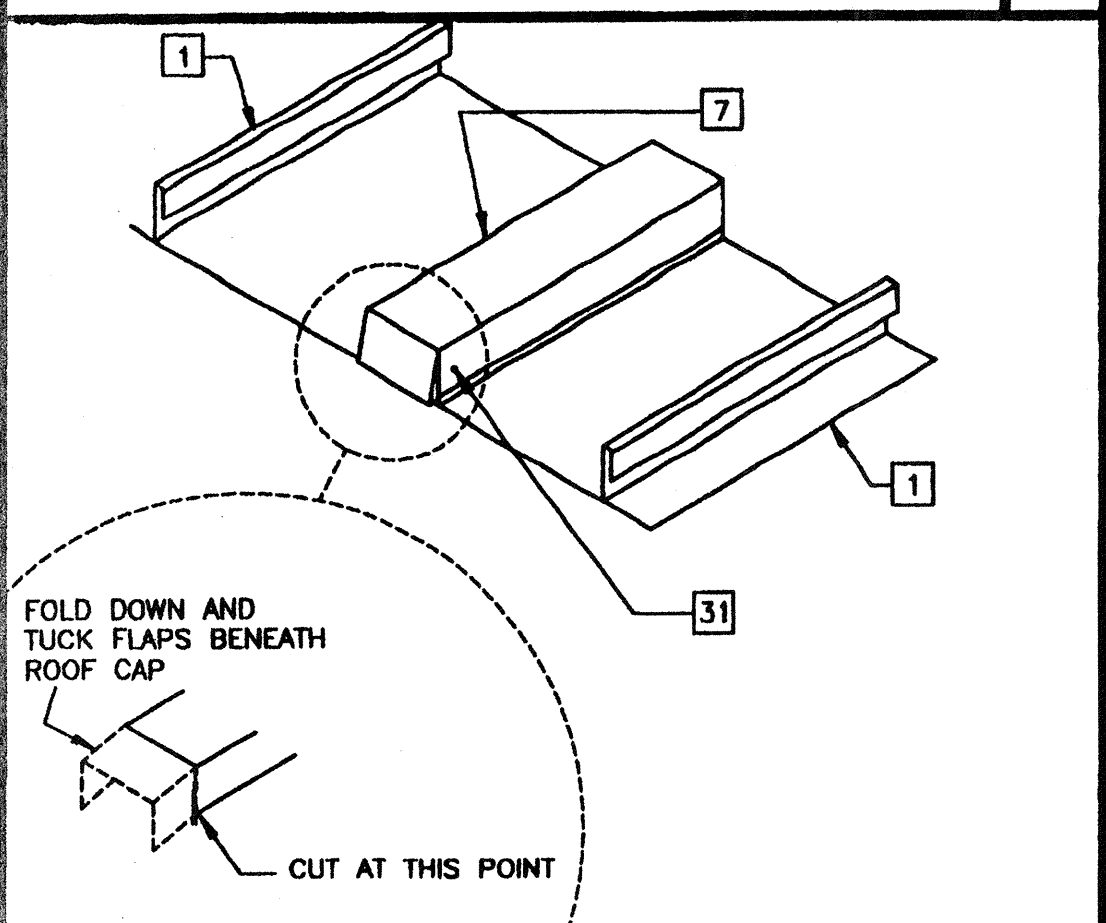
SCALE: 3"=1'  
**STARTER ROOF PAN CONNECTION 11**



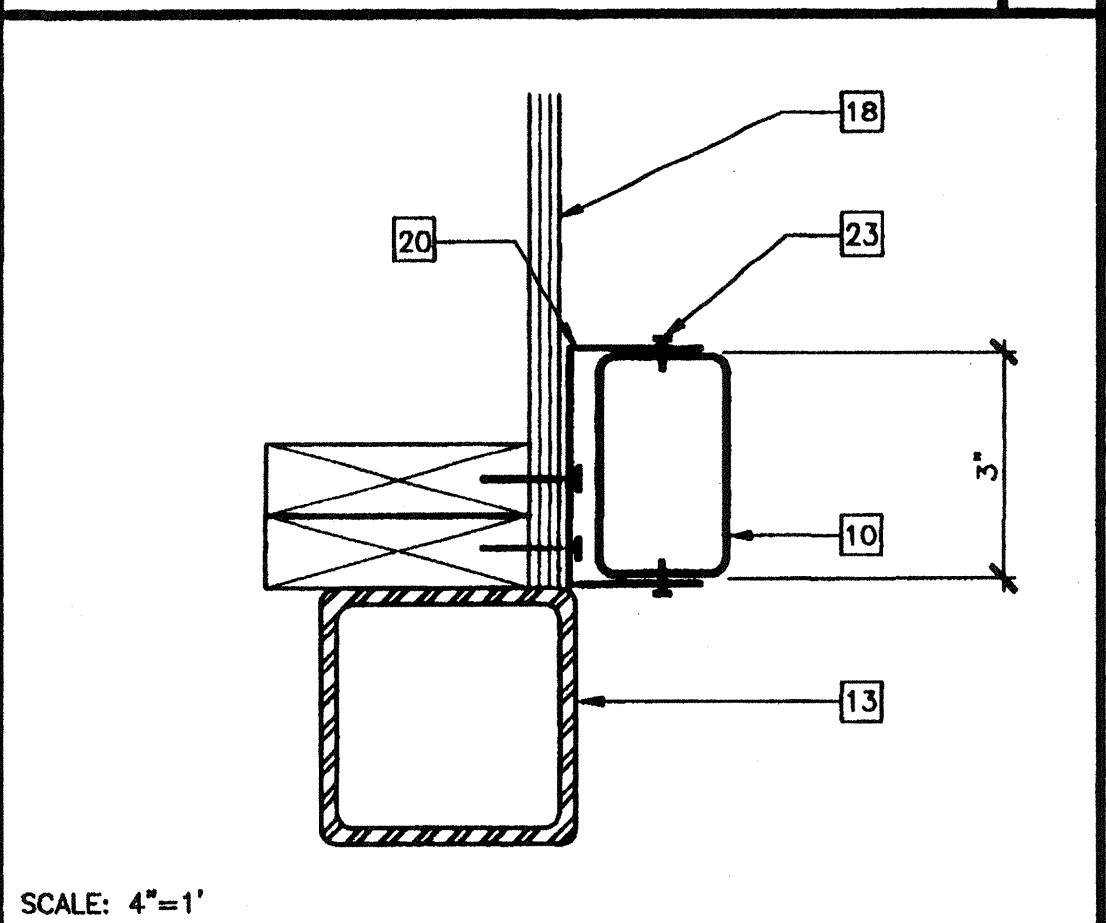
SCALE: FULL  
**26 GA ROOF CAP AT MODLINE 7**



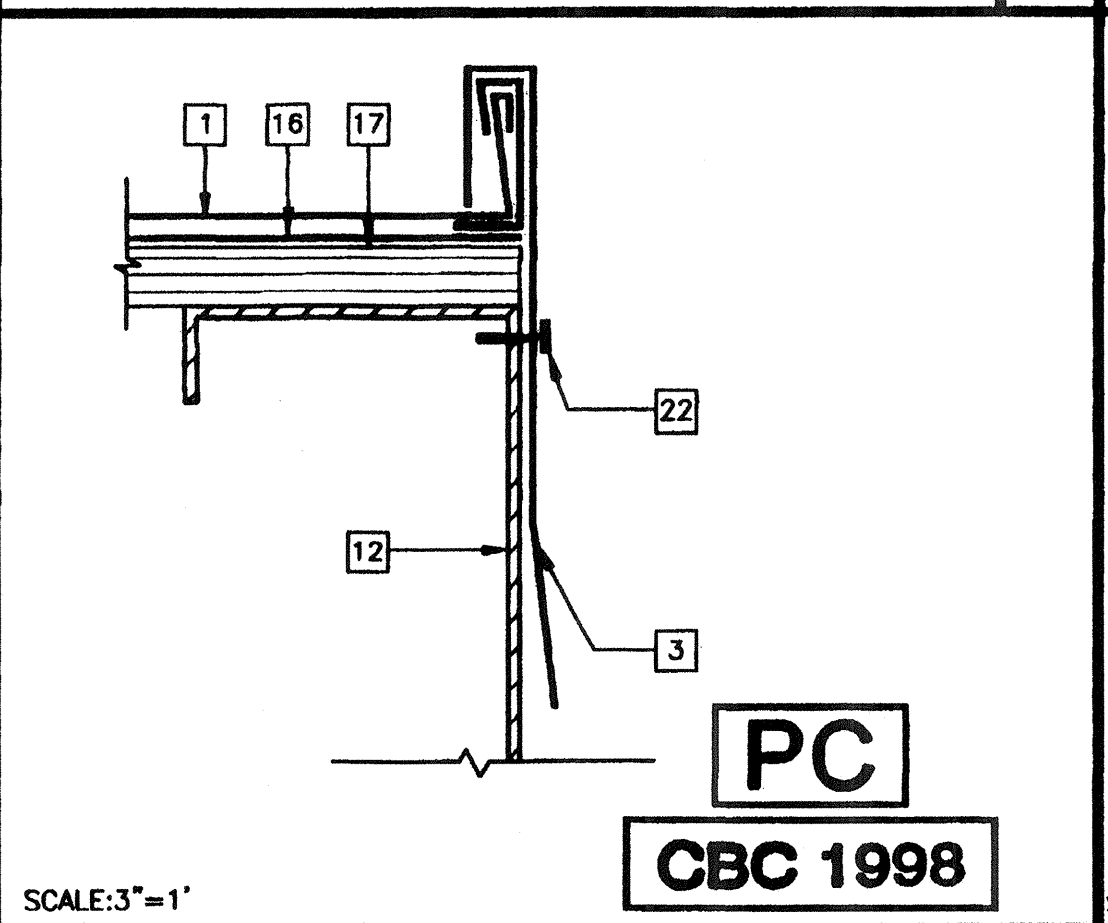
SCALE: FULL  
**FLASHING AT SIDE WALL 3**



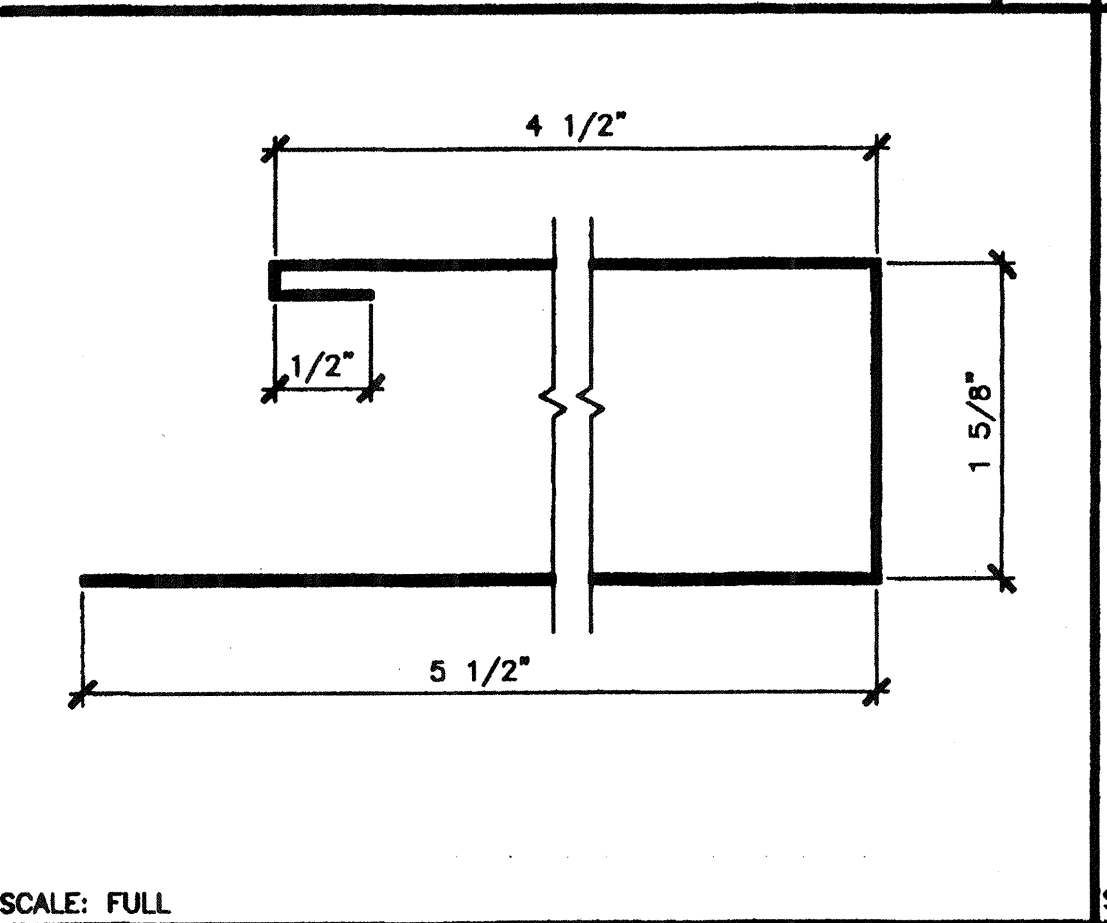
**MODLINE ROOF CAP 20**



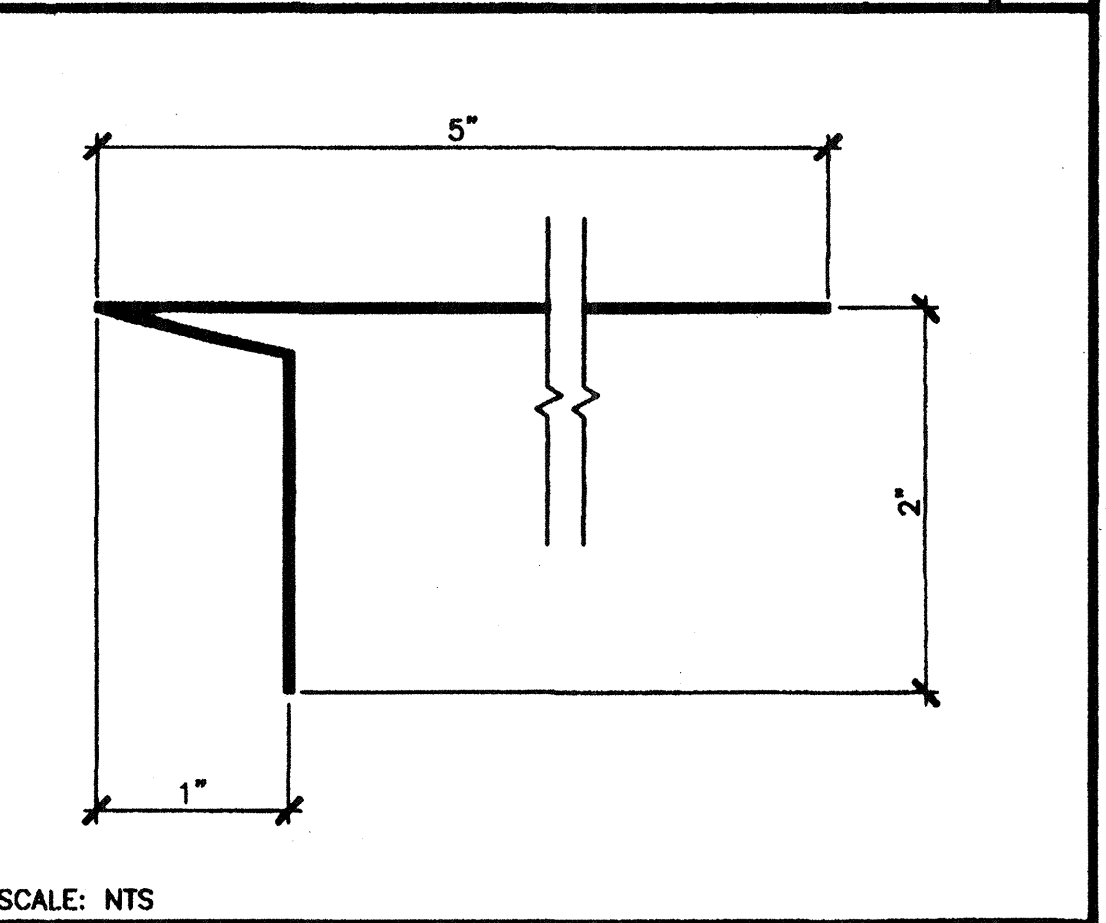
SCALE: 4"=1'  
**DOWNSPOUT ATTACHMENT 16**



SCALE: 3"=1'  
**ROOF FLASHING AT SIDE WALL 12**



SCALE: FULL  
**FLASHING AT ROOF 8**



SCALE: NTS  
**FLASHING AT ROOF LOW SIDE(S) 4**

- KEY NOTES**
- 1 26 GA STANDING SEAM ROOF PAN - 1/A2.03
  - 2 26 GA ROOF CLIP - 2/A2.03 - AT 24" OC MAX AND 6" MAX FROM END OF ROOF
  - 3 22 GA GALVANIZED IRON FLASHING AT SIDEWALL 3/A2.03
  - 4 22 GA GALVANIZED IRON FLASHING AT LOW END OF ROOF - 4/A2.03
  - 5 22 GA GALVANIZED STEEL FLASHING AT MODLINE WALL - 5/A2.03
  - 6 22 GA GALVANIZED STEEL FLASHING AT HIGH END OF ROOF - 6/A2.03
  - 7 26 GA ROOF CAP AT MODLINE - 7/A2.03
  - 8 26 GA FLASHING AT HIGH SIDE - 8/A2.03
  - 9 26 GA CONTINUOUS GUTTER - 9/A2.03
  - 10 DOWN SPOUT
  - 11 ROOF CLIP MOUNTED UPSIDE-DOWN, BEND CLIP HEAD UP AND OVER ROOF PAN
  - 12 ROOF BEAM (STR)
  - 13 COLUMN
  - 14 ROOF FASCIA (STR)
  - 15 NOT USED
  - 16 WEATHER PROOF MEMBRANE (25-30 LBS ASPHALT COATED)
  - 17 PLYWOOD ROOF SHEATHING (STR)
  - 18 TYPICAL EXTERIOR FINISH
  - 19 NOT USED
  - 20 ATTACHMENT BRACKET TYPICAL (3) PLACES, TOP, BOTTOM AND MIDSPAN - ATTACH TO SIDING WITH (2) #10 STMS
  - 21 (3) .080 x 1 1/2" SCREW SHANK NAILS - ROOF CLIP TO ROOF DECKING
  - 22 #10 STMS WITH NEOPRENE WASHER AT 24" OC
  - 23 TWO FASTENERS AT EACH SIDE OF BRACKET
  - 24 1/4" BEAD OF SEALANT ALONG ENTIRE LENGTH OF BOTH MODLINE RIBS
  - 25 SEALANT AT END OF SEAM
  - 26 CONTINUOUS BEAD OF SEALANT AT JOINT BETWEEN MODLINE FLASHING AND END PAN AND AT EACH END PAN ROOF CLIP
  - 27 GUTTER STRAP - 9/A2.03
  - 28 MODLINE
  - 29 CONTINUOUS SEALANT AT MODLINE JOINT
  - 30 #10 STMS WITH NEOPRENE WASHERS AT 36" OC ON "WET" SIDE OF SEALANT
  - 31 #10 STMS WITH NEOPRENE WASHERS AT EACH SIDE

AGENCY TRACKING NO. 63321-201  
 FILE NO. 15-6  
 IDENTIFICATION STAMP  
 DIV. OF THE STATE ARCHITECT  
 OFFICE OF REGULATION SERVICES  
 03-117283  
 AC: [Signature] FLS: [Signature] SS: [Signature]  
 DATE SEP 13 2016

104109  
 APR 18 2002

**REVISIONS**


Electrical Engineer's Seal  
 Mechanical Engineer's Seal  
 Structural Engineer's Seal  
 Architects Seal  
 IDENTIFICATION STAMP  
 DIV. OF THE STATE ARCHITECT  
 OFFICE OF REGULATION SERVICES  
 PC-04  
 101268  
 AC: [Signature] FLS: [Signature] SS: [Signature]  
 DATE SEP 07 2016

**MODTECH INC.**  
 2830 BARRETT AVENUE  
 PERRIS, CALIF. 92572  
 PH (909) 943-4014  
 FAX (909) 940-0427

PROJECT NUMBER: 4134  
 © MODTECH, INC. 2001  
 DRAWN BY: M. ANDERSEN  
 DATE: APR 15 2002  
 CHECKED BY: 4012-121  
 DATE: 04-16-02  
 MODTECH Index No.  
**ROOFING DETAILS**  
 26 GA **A2.03**

FILE PATH: 2440-4134.DWG PROJECT NO. 4134, 4153, 4164 PC-04-101268