

KEY NOTES

- 1 22 GA MTL. ROOF DECK
- 2 [12 GA X 14" HEADER
- 3 NOT USED
- 4 10 STSMS @ 24" OC
- 5 STANDING SEAM ROOF TO BEAM (SEE STRUCTURAL)
- 6 FLOOR BEAM (SEE STRUCTURAL)
- 7 TUBE STEEL COLUMN
- 8 2X4 STUD @ 16" OC, TYP
- 9 16d BOX NAILS @ 8" OC
- 10 2X4 SILL PLATE
- 11 2X TRIMMER @ CORNER
- 12 16d @ 24" OC
- 13 #10 STSMS @ 16" OC
- 14 2X4 TRIM
- 15 ROOF BEAM

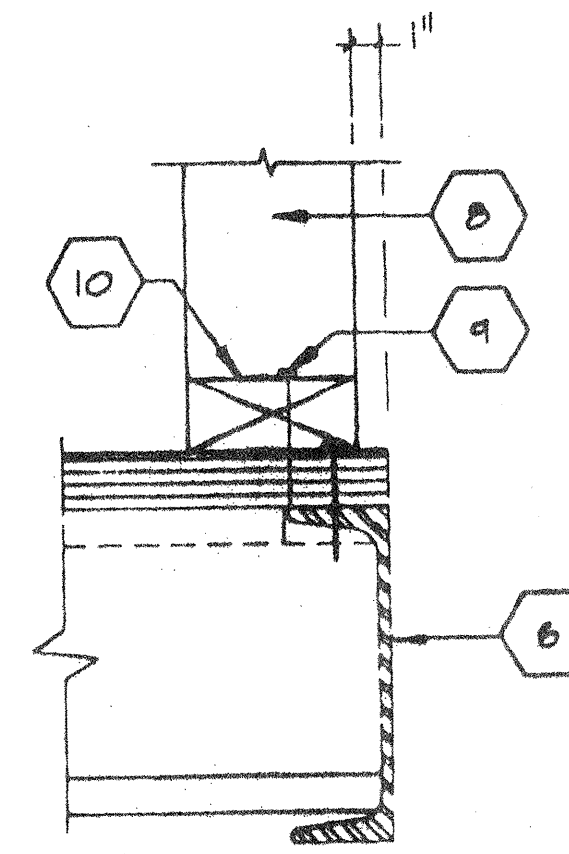
IDENTIFICATION STAMP
 DIV. OF THE STATE ARCHITECT
 OFFICE OF REGULATION SERVICES
 04 101553
 AC _____ FLS _____ SS _____
 DATE SEP 09 1999

1. ALTERNATE: USE 0 145Ø SHOT PIN
 • SAME SPACING AS #10 STSMS

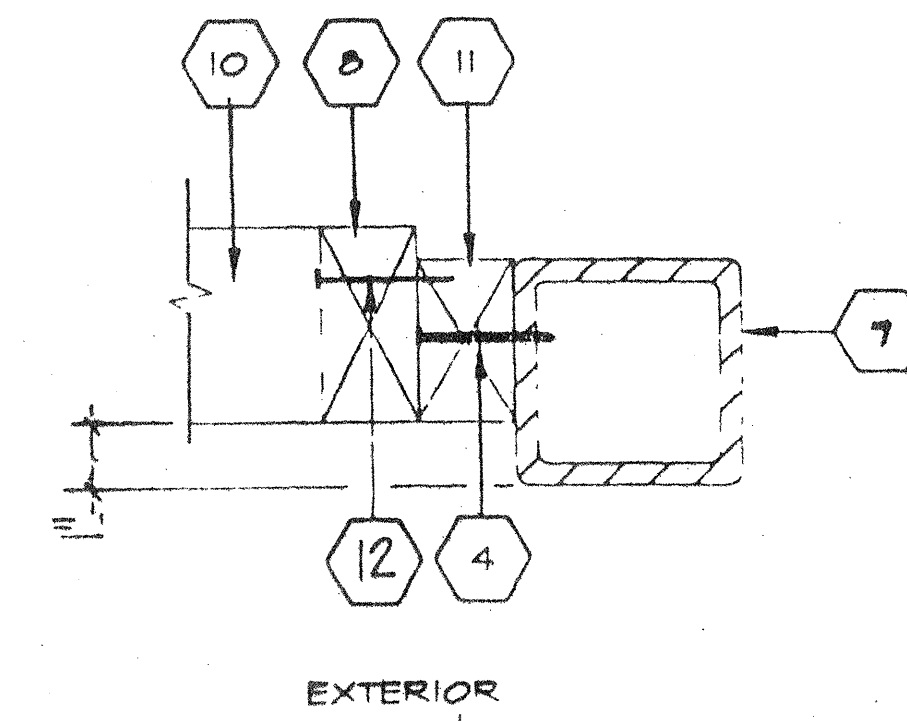
AGENCY TRACKING NO. 63321-201
 FILE NO. 15-6

IDENTIFICATION STAMP
 DIV. OF THE STATE ARCHITECT
 OFFICE OF REGULATION SERVICES
 03-117283
 AC _____ FLS _____ SS _____
 DATE SEP 13 2018

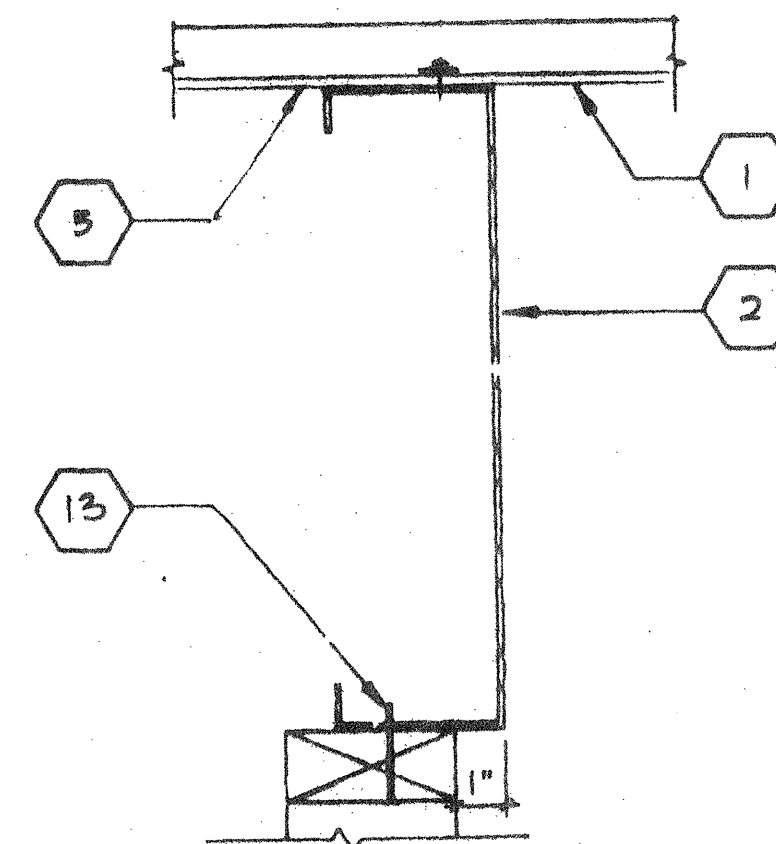
4012-094



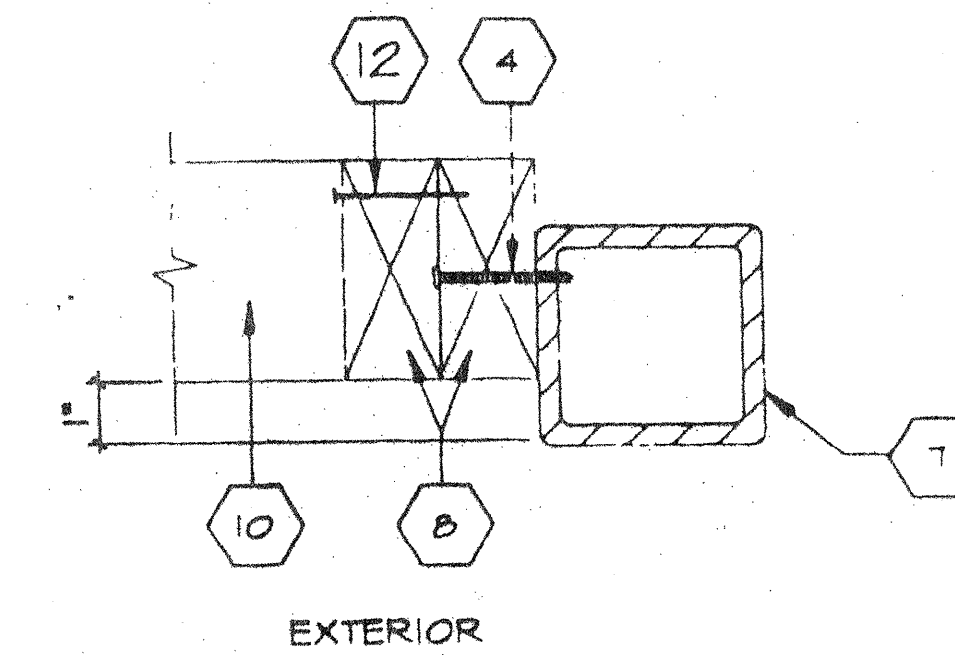
SCALE: 3"=1'
 PLATE @ FLOOR 4



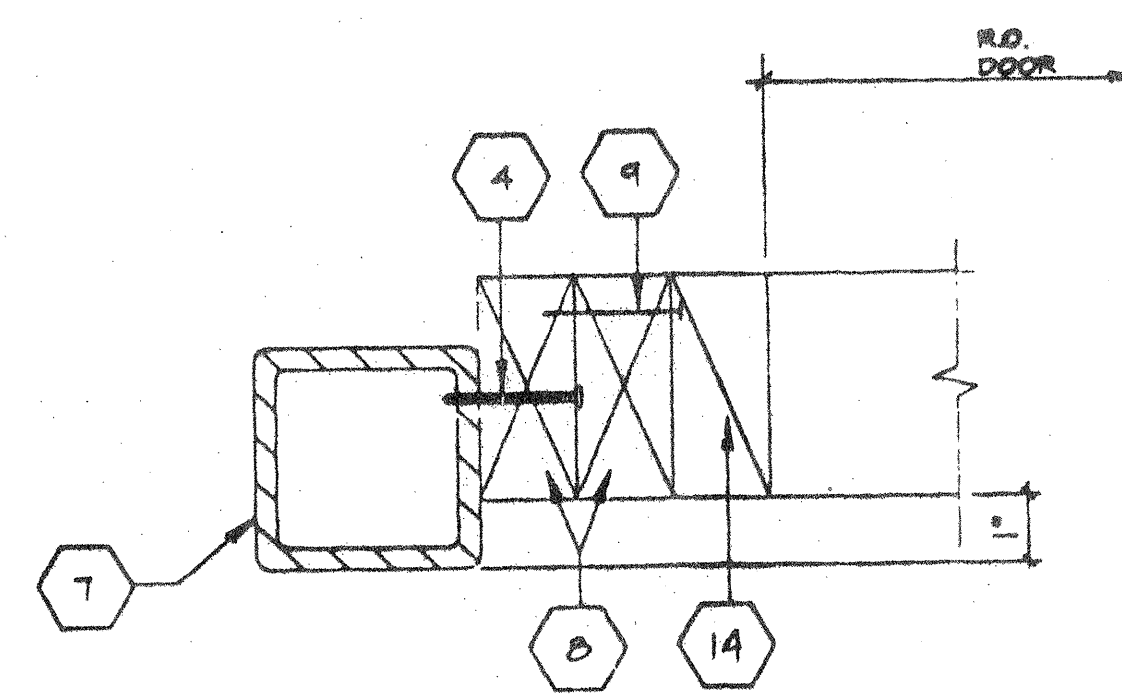
SCALE: 4"=1'
 COLUMN @ SIDEWALL 1



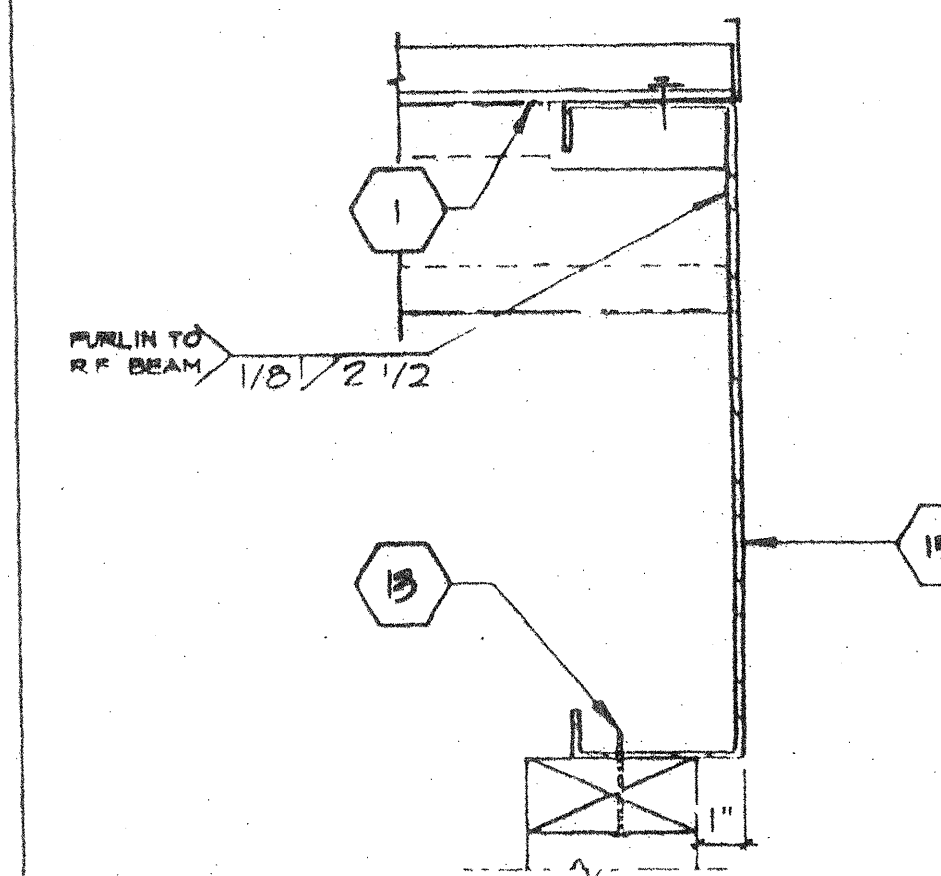
SCALE: 5"=1'
 END WALL @ ROOF HEADER 5



SCALE: 4"=1'
 COLUMN @ ENDWALL 2



SCALE: 4"=1'
 COLUMN @ END WALL W/DOOR 6



SCALE: 3"=1'
 ROOF PURLIN @ ROOF BEAM 3

ARCHITECT

ELECTRICAL

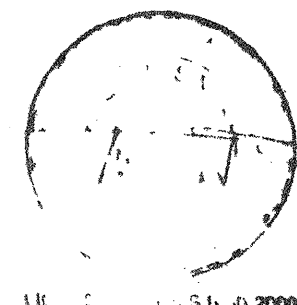
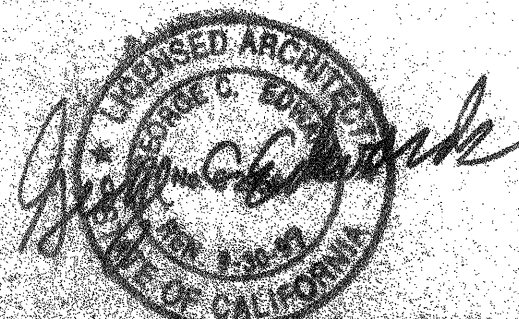
STRUCTURAL

MECHANICAL

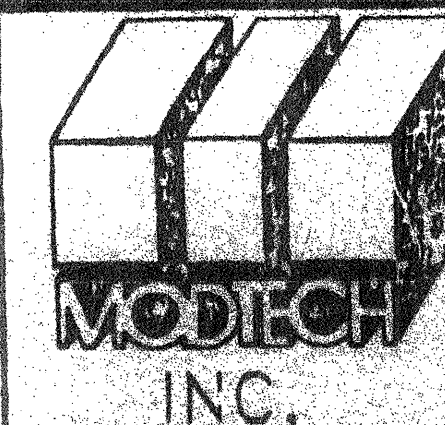
FIRE MARSHAL

ACCESS COMPLIANCE

STRUCTURAL SAFETY



PC-275
 1-19-96



FRAMING ELEVATIONS AND DETAILS

S5.1

DATE: 9/14/99