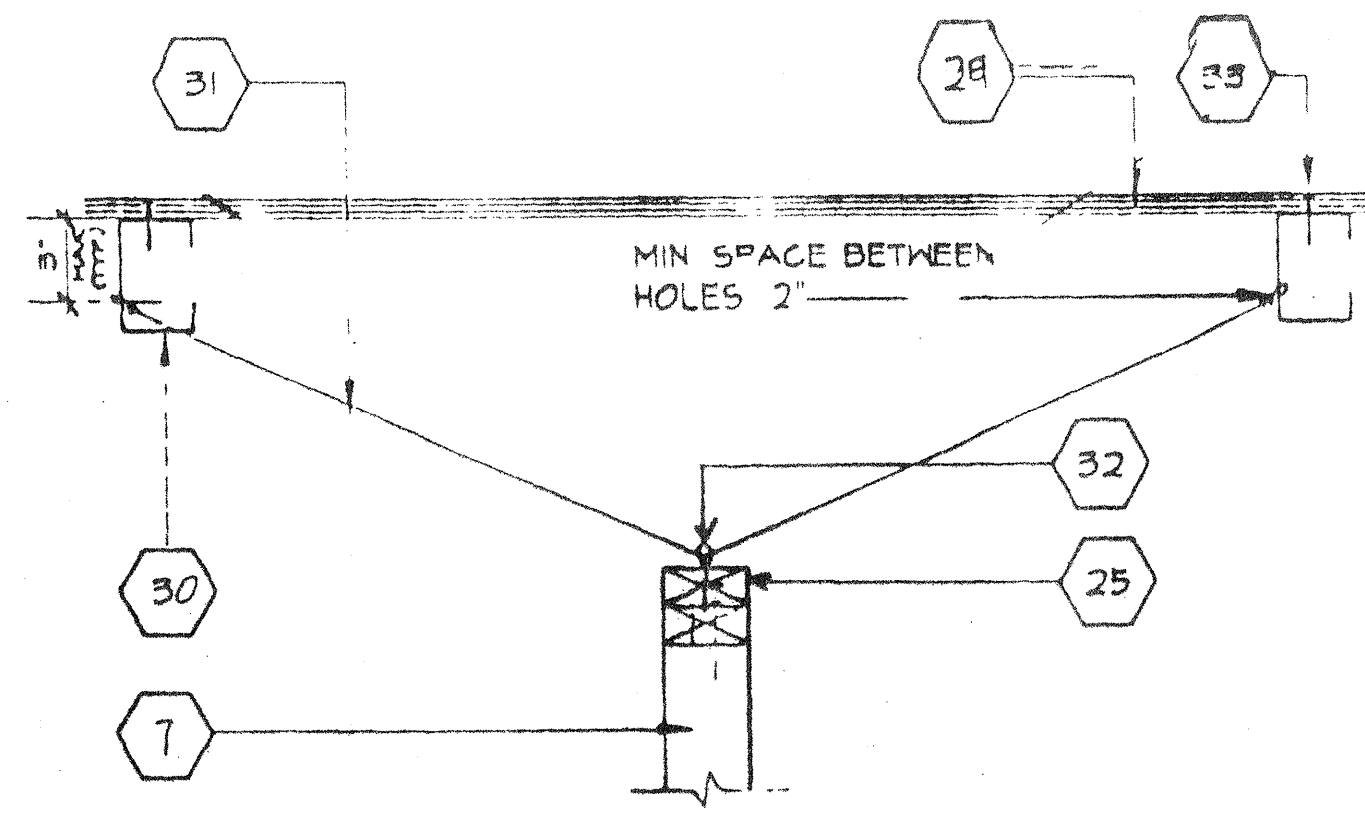


OPENING SCHEDULE

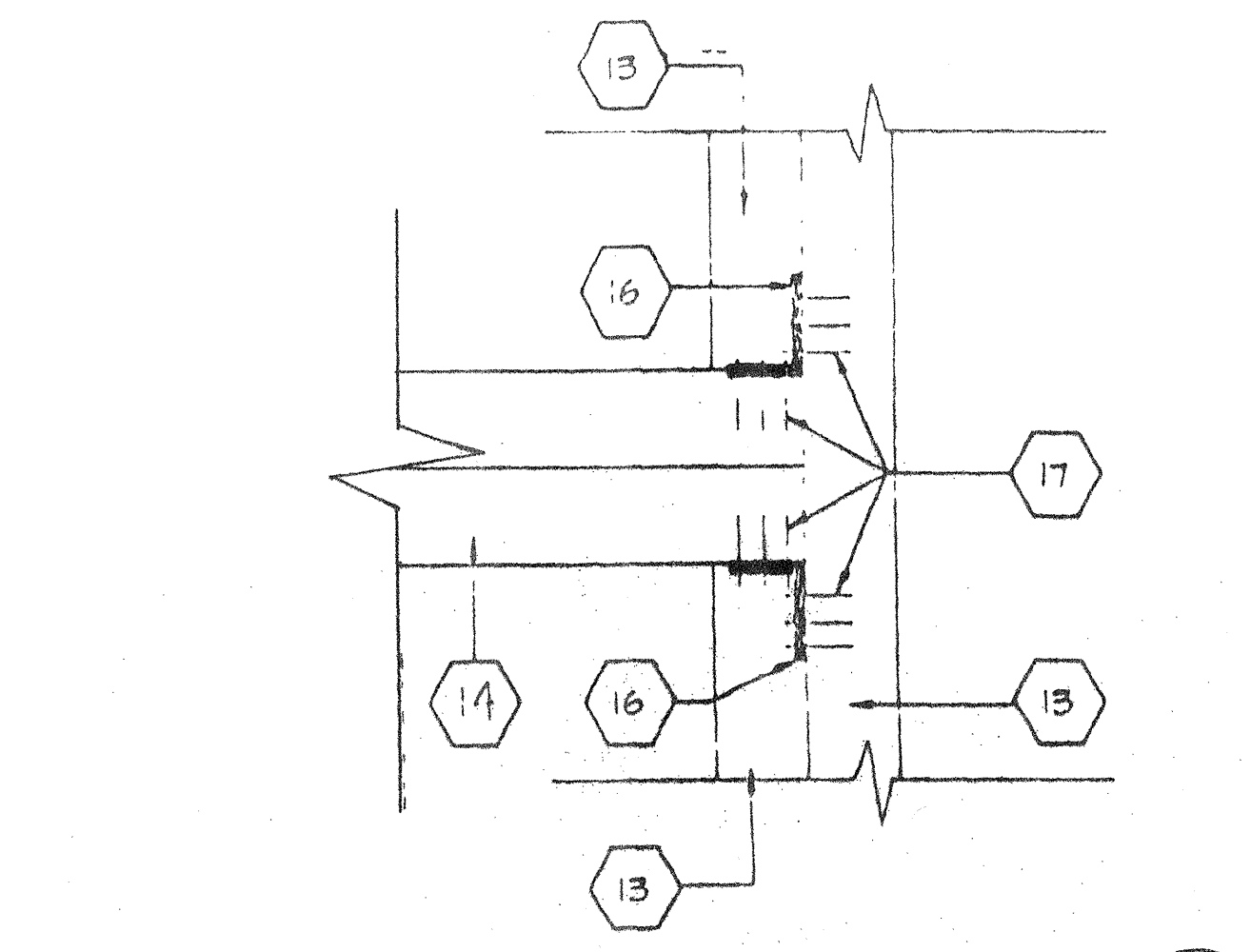
| OPENING | HDR. | SILL | JAMB | HEIGHT | WIDTH |
|---------|-------|---------|---------|---------|---------|
| 306B | 2-2x4 | (2) 2x4 | 2-2x4 * | 81 1/4" | 38" |
| 804D | 2-2x4 | (2) 2x4 | 3-2x4 * | 48 1/8" | 96 1/8" |

* FULL HEIGHT STUDS
 ALTERNATE: METAL STUD 3 1/2" x 20GA
 IN LIEU OF 2X4 WD. STUDS

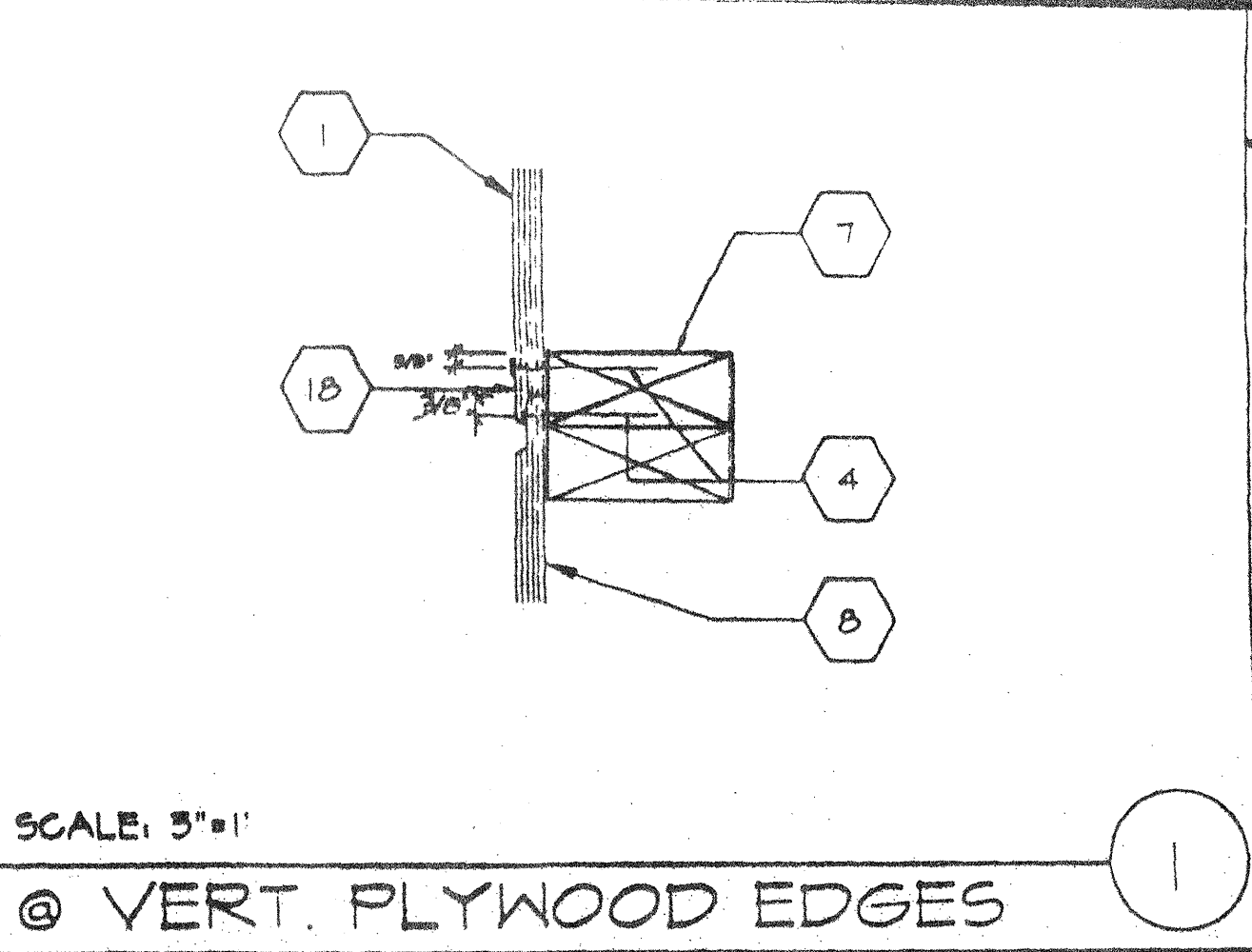
12



SCALE: 1-1/2"=1'
 PARALLEL PARTITION CONN. 8



SCALE: 3"=1'
 WINDOW SILL @ JAMB 5

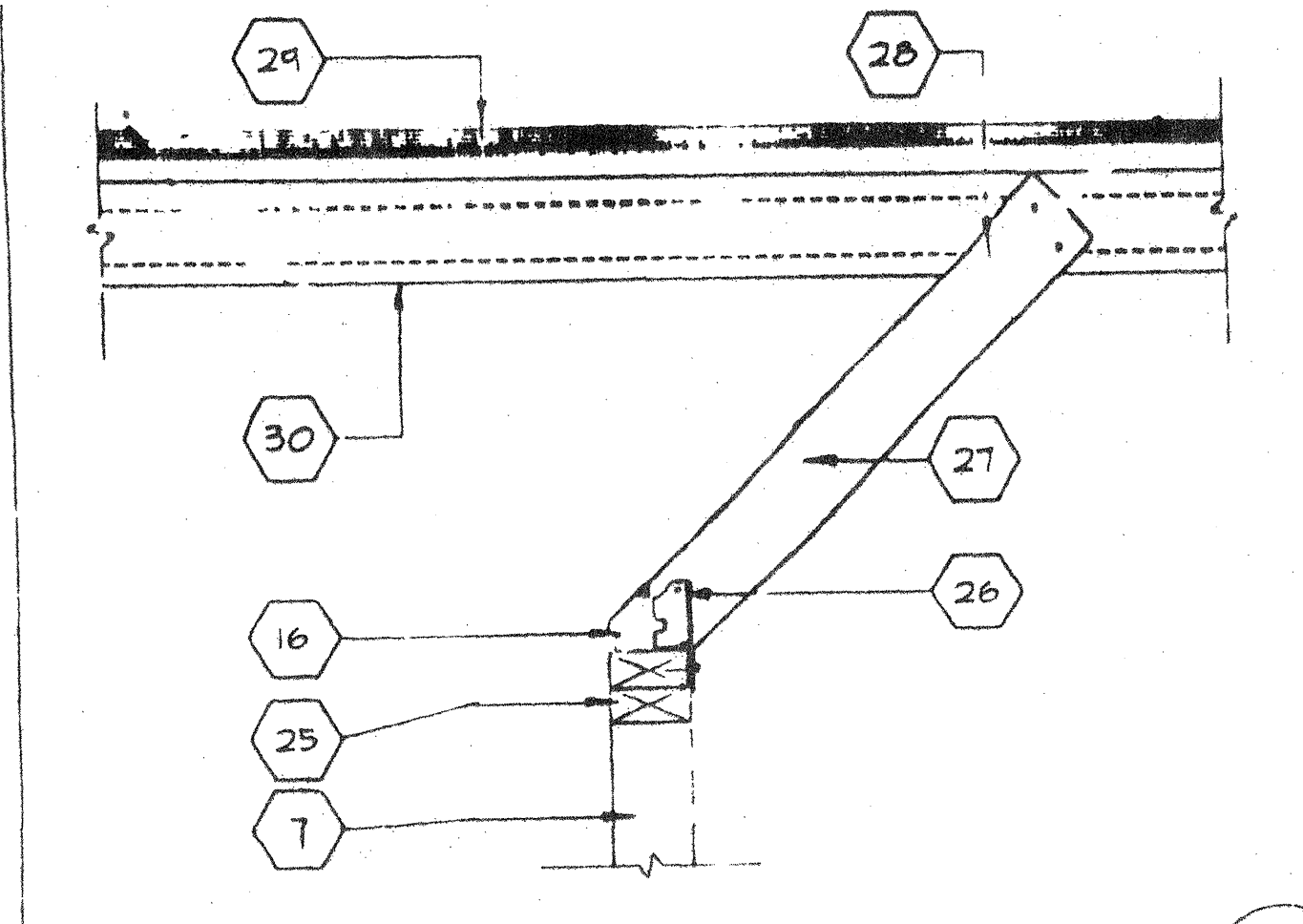


SCALE: 3"=1'
 @ VERT. PLYWOOD EDGES 1

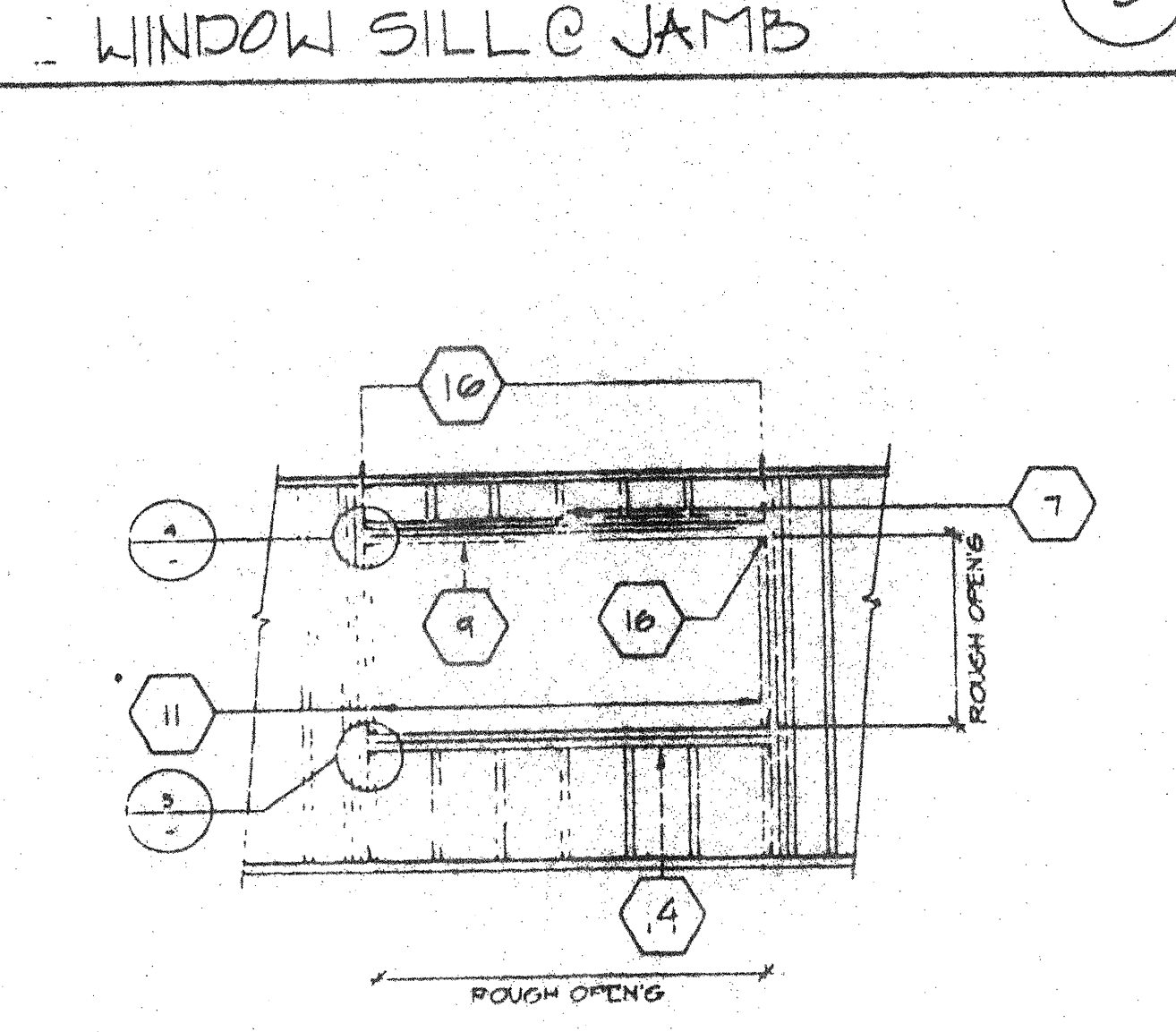
NAILING SCHEDULE

| CONNECTION | NAILING |
|--|--|
| 1. JOIST TO SILL OR GIRDER, TOENAIL | 3-6d |
| 2. Stud into joist, toenail each end | 2-6d |
| 3. 1" x 8" subfloor or less to each joist, face nail | 2-6d |
| 4. Plyer than 1" x 8" subfloor to each joist, face nail | 5-6d |
| 5. 2" subfloor to joist or girder and face nail | 1-16d |
| 6. Sole plate to joist or blocking, face nail | 16d at 16" o.c. |
| 7. Top plate to stud, and nail | 2-16d |
| 8. Stud to sole plate | 4-5, or toenail |
| | 2-16d, 2-nail |
| 9. Double Studs, face nail | 16d at 24" o.c. |
| 10. Double top plates, face nail | 16d at 16" o.c. |
| 11. Top plates, laps and intersections, face nail | 2-6d |
| 12. Continuous header, top plates | 16d at 16" o.c. |
| | each edge |
| 13. Ceiling joists to plate, toenail | 3-6d |
| 14. Continuous header to stud, toenail | 4-6d |
| 15. Ceiling joists, less over partitions, face nail | 5-6d |
| 16. Ceiling joists to parallel rafters, face nail | 3-16d |
| 17. Rafters to plate, toenail | 3-6d |
| 18. 1" brace to each stud and plate, face nail | 2-6d |
| 19. 1" x 8" sheathing or less to each bearing, face nail | 2-6d |
| 20. More than 1" x 8" sheathing to each bearing, face nail | 3-6d |
| 21. Built-up corner studs | 16d at 24" o.c. |
| 22. Built-up girder and beams | 20d at 32" o.c. at top and bottom and end and at each splice |
| 23. 2" planks | 2-16d at each bearing |
| 24. Plywood and particleboard subfloor, roof and wall sheathing (to framing) 1/2" and less | 6d |
| | 6d or 16" x 2" - 5/4" |
| 6d | 7/8" - 1" 6d |
| | 1/8" - 1/4" 10d or |
| 6d | Continuation subfloor-underlayment (to framing), 3/4" and less |
| | 7/8" - 1" 6d |
| | 1/8" - 1/4" 10d or |
| 25. Panel Siding (to framing), 1/2" or less | 6d |
| | 5/8" 6d |

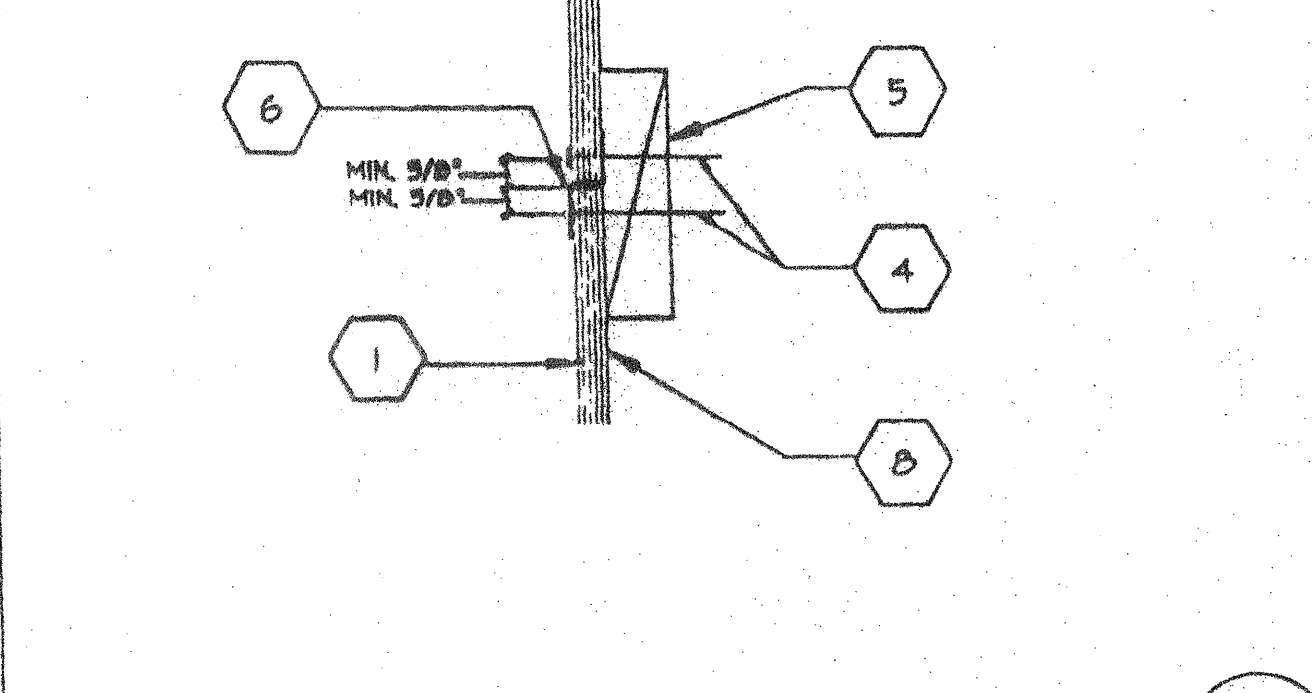
NOTE: All nail shall be box nails unless otherwise noted



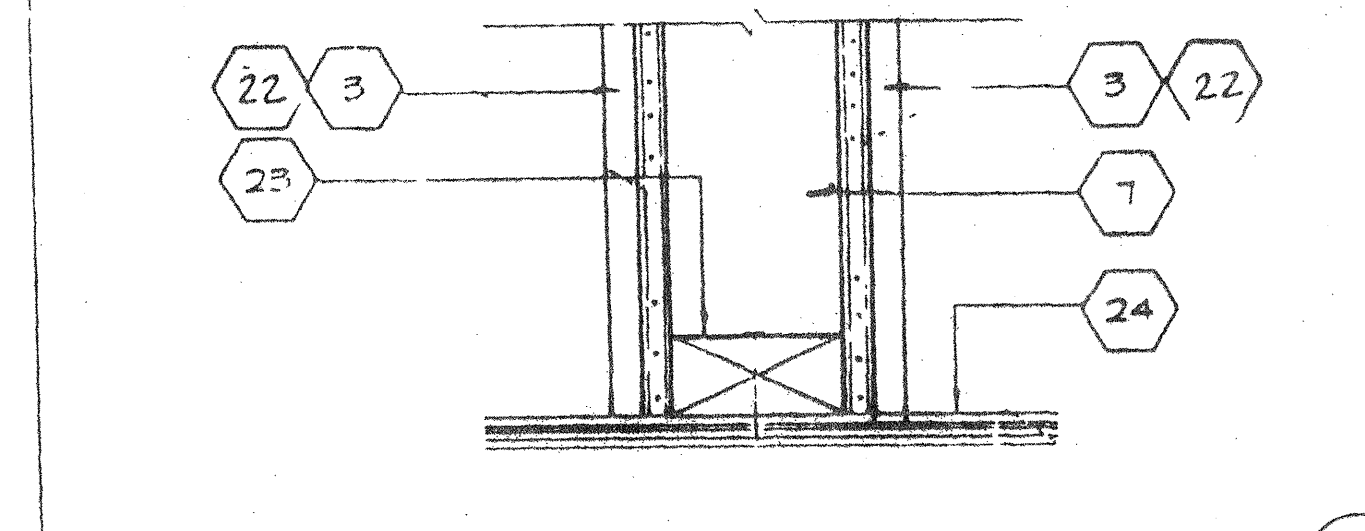
SCALE: 1-1/2"=1'
 PERPENDICULAR PARTITION CONN. 9



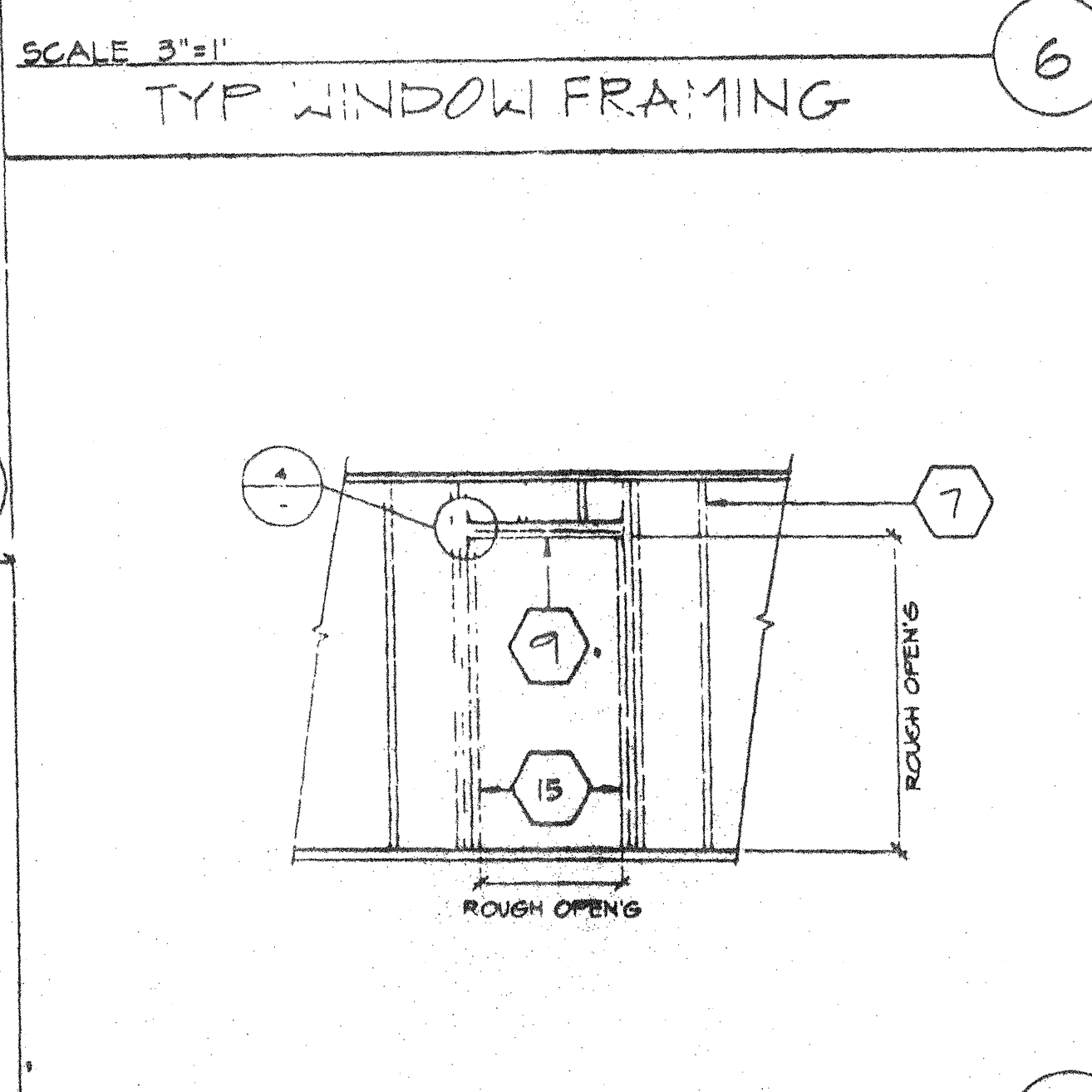
SCALE: 3"=1'
 TYP WINDOW FRAMING 6



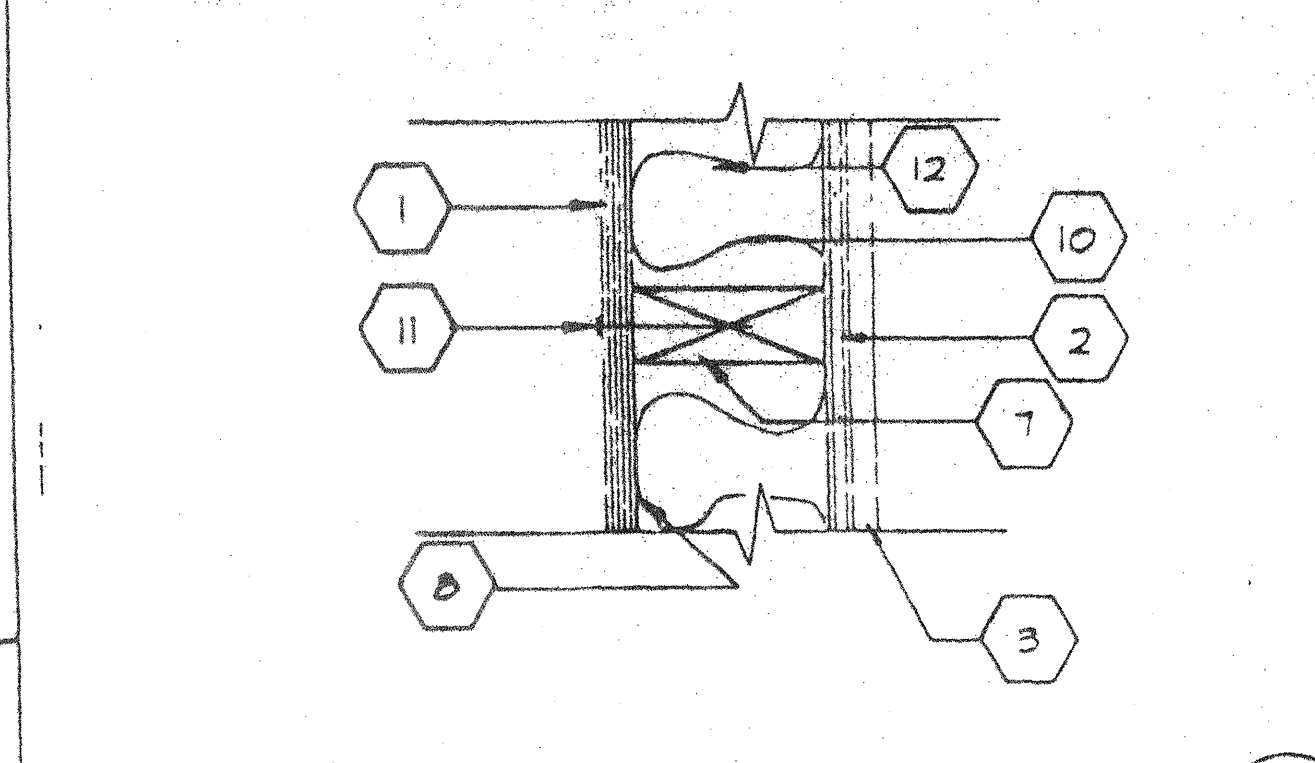
SCALE: 3"=1'
 DETAIL @ HORIZ. PLYWOOD JOINTS 2



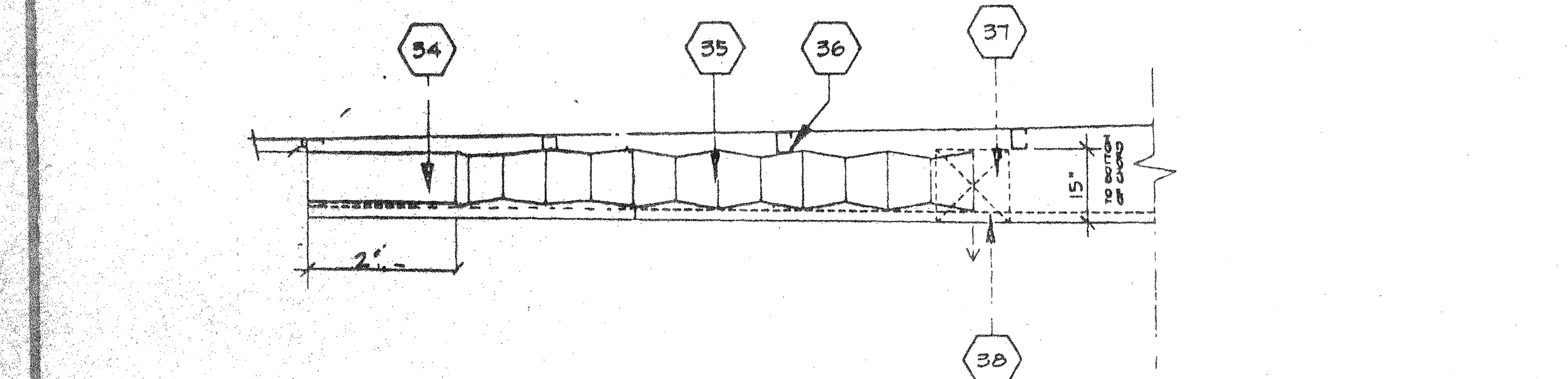
SCALE: 3"=1'
 INT. PARTITION CONN. @ FLOOR 10



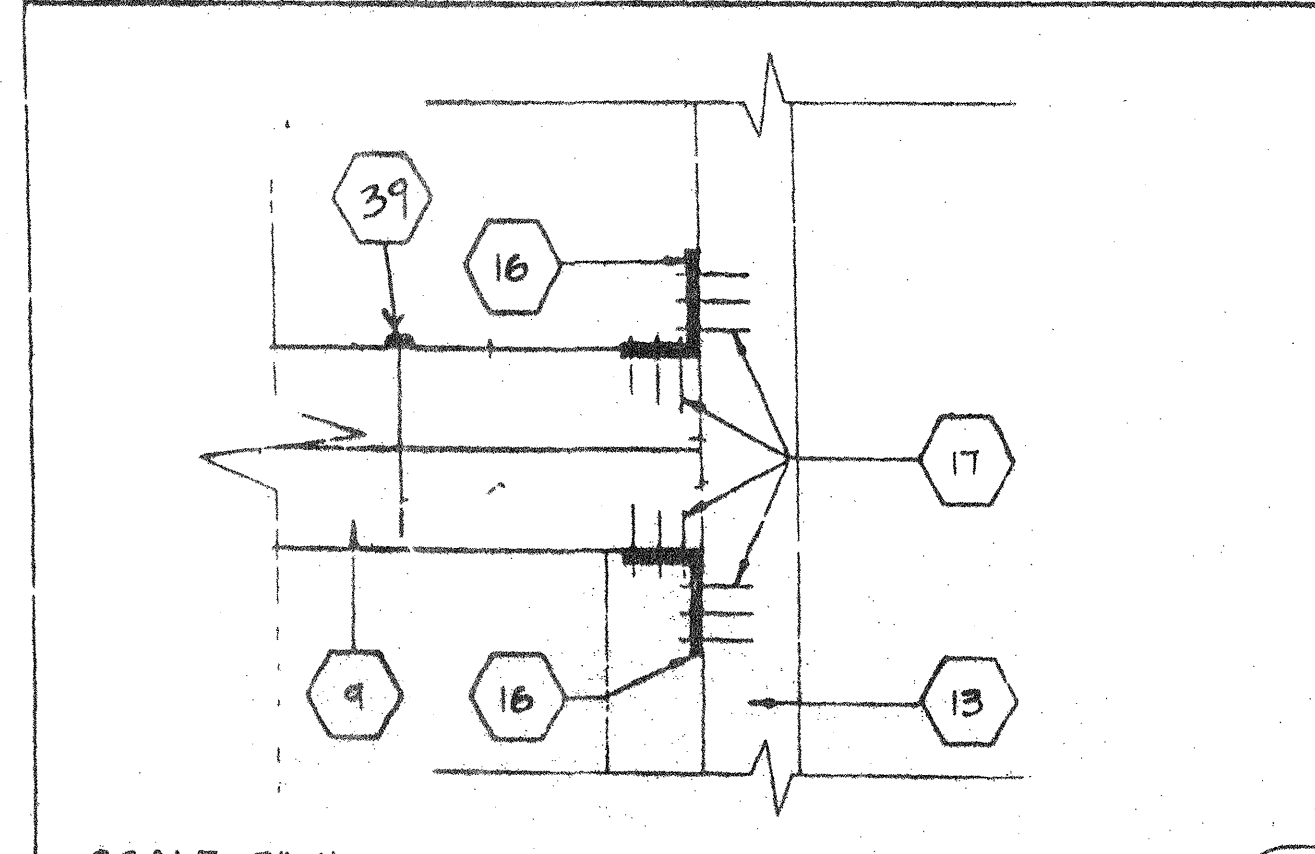
SCALE: 3"=1'
 TYP DOOR FRAMING 7



SCALE: 3"=1'
 SECTION @ STUD 3



SCALE: 1/2"=1'
 SECTION: HVAC IN ROOF 11



SCALE: 3"=1'
 HEADER DETAIL 4

KEY NOTES

NAILING:
 - NAILING IN ACCORDANCE W/ T24 C.A.C. TABLE 2-25P
 - ALL NAILS EXPOSED TO WEATHER SHALL BE GALV.
 - MACHINELY APPLIED NAILING SHALL HAVE FIELD DEMONSTRATION AND APPROVAL BY OSA/OSA FIELD REP AND THE ARCHITECT.

- EXTERIOR PLYWOOD SIDING - SHEATHING NAIL W/GALV. BOX NAILS - 6d @ 6" O.C EDGES, 6d @ 12" O.C IN FIELD
- GYP BOARD
- TYP INTERIOR FINISH-SEE FINISH SCHEDULE
- EN
- 2X4 BLK'G
- "Z" FLASHING
- 2X4 @ 16" O.C
- WATERPROOF MEMBRANE
- HEADER (SEE SCHEDULE SS 1)
- INSULATION (SEE SPECIFICATIONS)
- 6d ELECTRO GALV 12" O.C FN
- 2X4 SILL PLATE (BELOW)
- FULL HEIGHT STUDS AND 1-2X4 TRIMMER (SEE OPENING SCHEDULE FOR JAMB STUDS REQ'D FOR DOORS & WINDOWS ONLY)
- 2X4 FULL HEIGHT KING STUDS AND 2X4 TRIMMER (SEE SCHEDULE FOR QUANTITY)
- SILL PLATE (SEE SCHEDULE)
- A 34 CLIPS @ HEADER AND SILL TO FULL HEIGHT STUDS AND FULL HEIGHT STUDS TO TOP AND BOTTOM PLATES
- 9GA 6d 1 1/2" NAILS
- LAP JOINT
- NOT USED
- NOT USED
- NOT USED
- ATTACH 6YP BD TO STUDS W/6d COOLERS @ 16" O.C
- 2X4 BOTTOM PLATE W/6d @ 6" O.C
- PLYWOOD FLOOR
- 2X4 DBL TOP PLATE
- SIMPSON A35 W/6d X 2 1/2"
- 2X4 BRACE @ 8'-0" O.C MAX @ MAX 45°
- #12 X 2" TYPE A HEX HEAD SCREWS W/WASHERS (TYP OF 3)
- PLYWOOD SHEATHING
- ROOF PURLIN
- ATTACH 12GA BRACE WIRES TO EYE LAG SCREWS AND TO ROOF PURLINS @ 8'-0" O.C ENDS TO HAVE 4 TIGHT WRAPS IN 1-1/2"
- 1/4φ 2-1/2" EYE LAG SCREW @ 8'-0" O.C
- ATTACH PER ROOF FRAMING PLAN (TYP)
- PLENUM
- DUCTWORK
- ROOF PURLIN
- TRANSFER BOX
- ROOF CHANNEL
- 16d @ 16" o.c

| | | | | | | | | | |
|-----------------|------------|------------|------------|--------------|--|-------------------|------|--------------------|---------------|
| ARCHITECT | ELECTRICAL | STRUCTURAL | MECHANICAL | FIRE MARSHAL | AGENCY TRACKING NO. 63321-201 FILE NO. 15-6 | STRUCTURAL SAFETY | 3273 | © MODTECH INC 1993 | DATE: 9/14/96 |
| | | | | | IDENTIFICATION STAMP DIV. OF THE STATE ARCHITECT OFFICE OF REGULATION SERVICES 03-11720 AC / FLS / SS PCL DATE: SEP 13 2016 | | | | 4012-094 |
| FRAMING DETAILS | | | | | | | | S5.0 | |