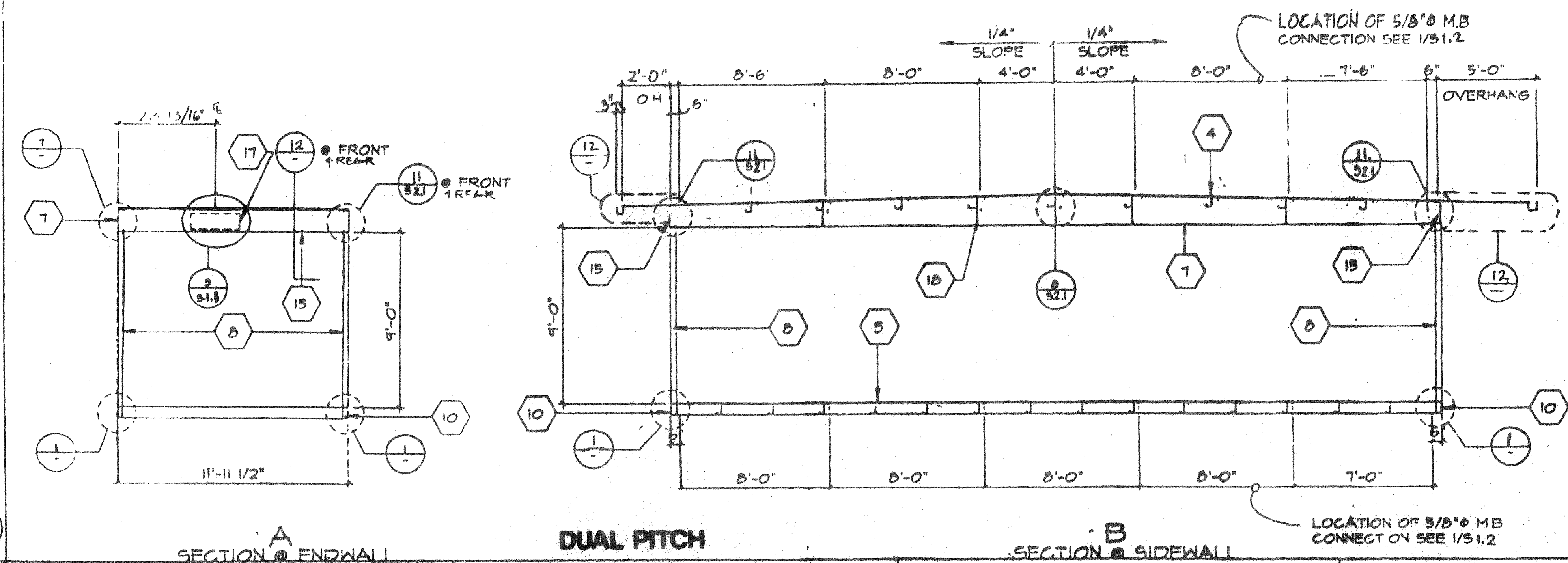


KEY NOTES

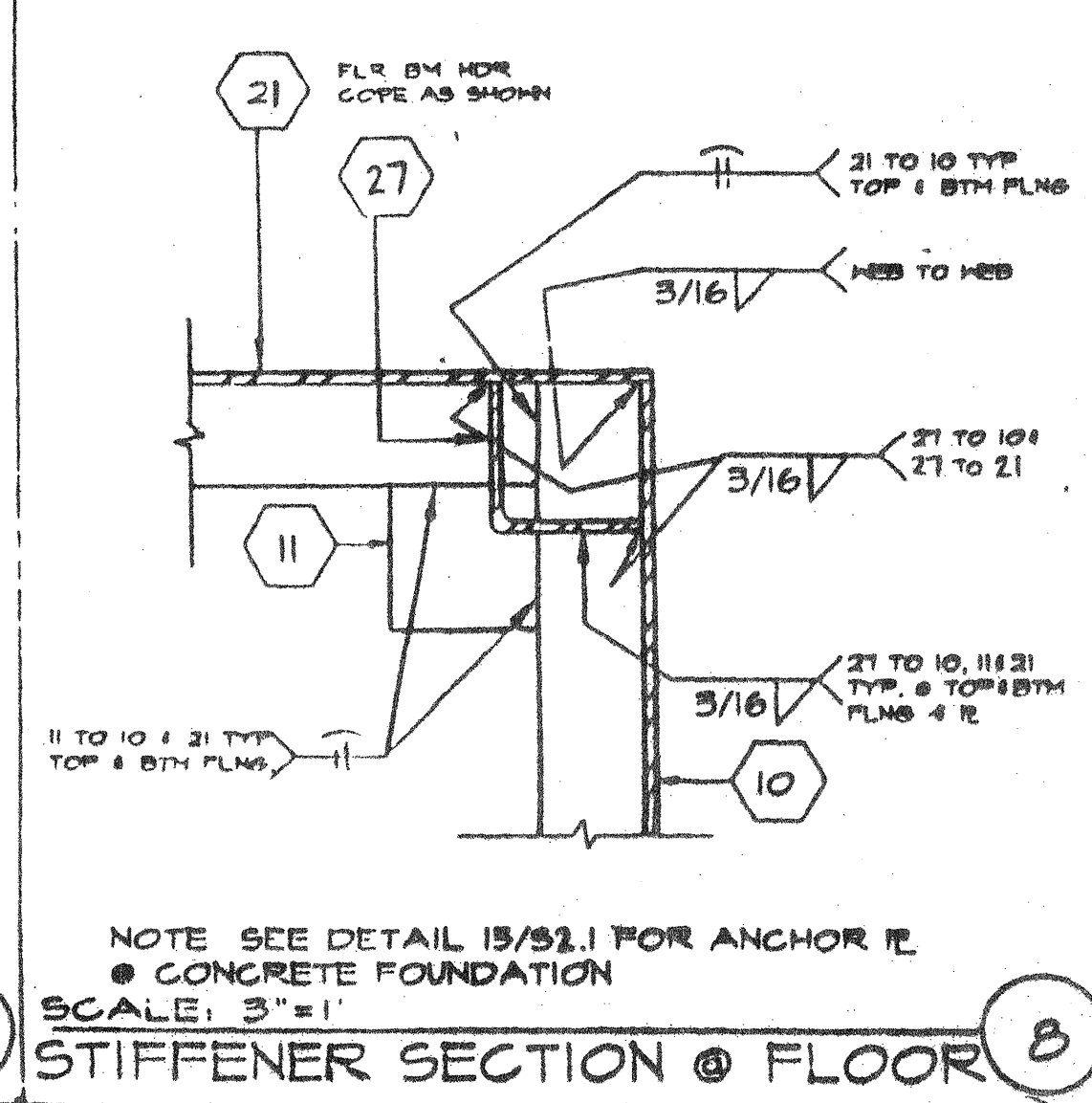
- 1 EN @ PLYWOOD EDGES
- 2 22GA STANDING SEAM ROOF
- 3 6 3/8"x2 1/2"x12GA FLR JOIST 6/52.1
- 4 6x2 1/2"x14GA ROOF PURLIN 2/52.1
- 5 5"x5"x 5/8"x26 GA. ROOF END CLOSURE W/10 STOPS W/4EDDRMB WAKER 7/5 & 8/52.1
- 6 NOT USED
- 7 [10 GA TAPERED ROOF BEAM (SEE 1/52.1) OR 12/52.1 REFER TO RF FRAMING PLAN
- 8 3 1/2"x3 1/2"x1/4" COLUMN
- 9 BACK-UP PLATE MIN 10 GA
- 10 [7x9.0 FLOOR CHANNEL
- 11 3 1/2"x3 1/2"x1/4" STEEL PLATE WELDED FLUSH TO TOP AND BOTTOM OF CHANNEL FLANGES
- 12 NOT USED
- 13 SECTION OF 3 1/2"x3 1/2"x1/4" TUBE STEEL COPE TO FIT ROOF BEAM
- 14 NOT USED
- 15 [14"x3 1/2"x12GA HEADER (SEE 1/52.1)
- 16 NOT USED
- 17 LOCATION OF HVAC OPENING.
- 18 1/4" FULL DEPTH STIFFENER PLATE AT 8'-0" OC UNO ALIGN WITH PURLIN
- 19 NOT USED
- 20 NOT USED
- 21 [7x9.0 FLOOR HEADER
- 22 NOT USED
- 23 NOT USED
- 24 NOT USED
- 25 NOT USED
- 26 NOT USED
- 27 3 1/2"x3 1/2"x1/4" TUBE STEEL COPE TO FIT FLOOR BEAM



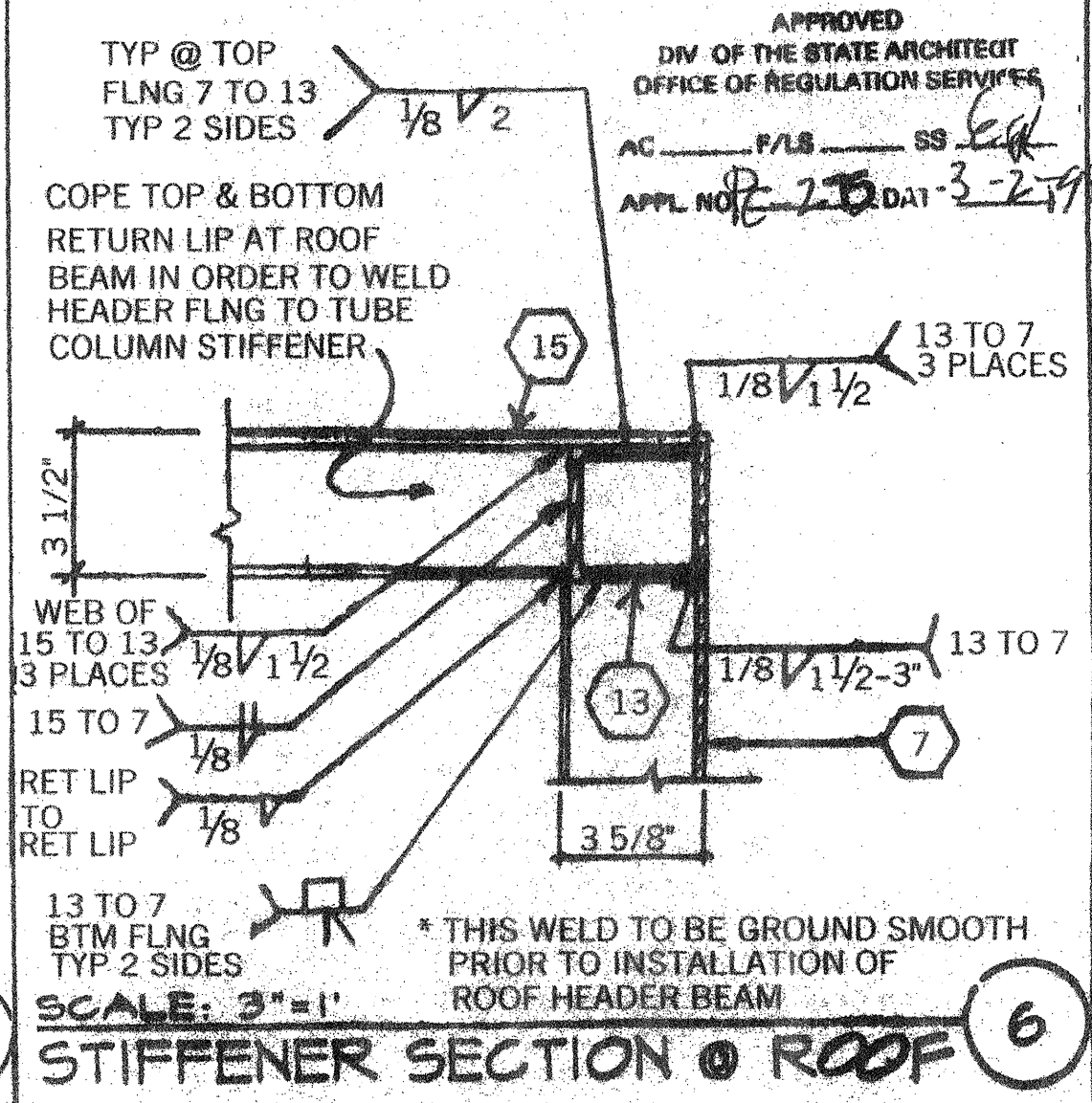
SECTION A FRONT & REAR

DUAL PITCH

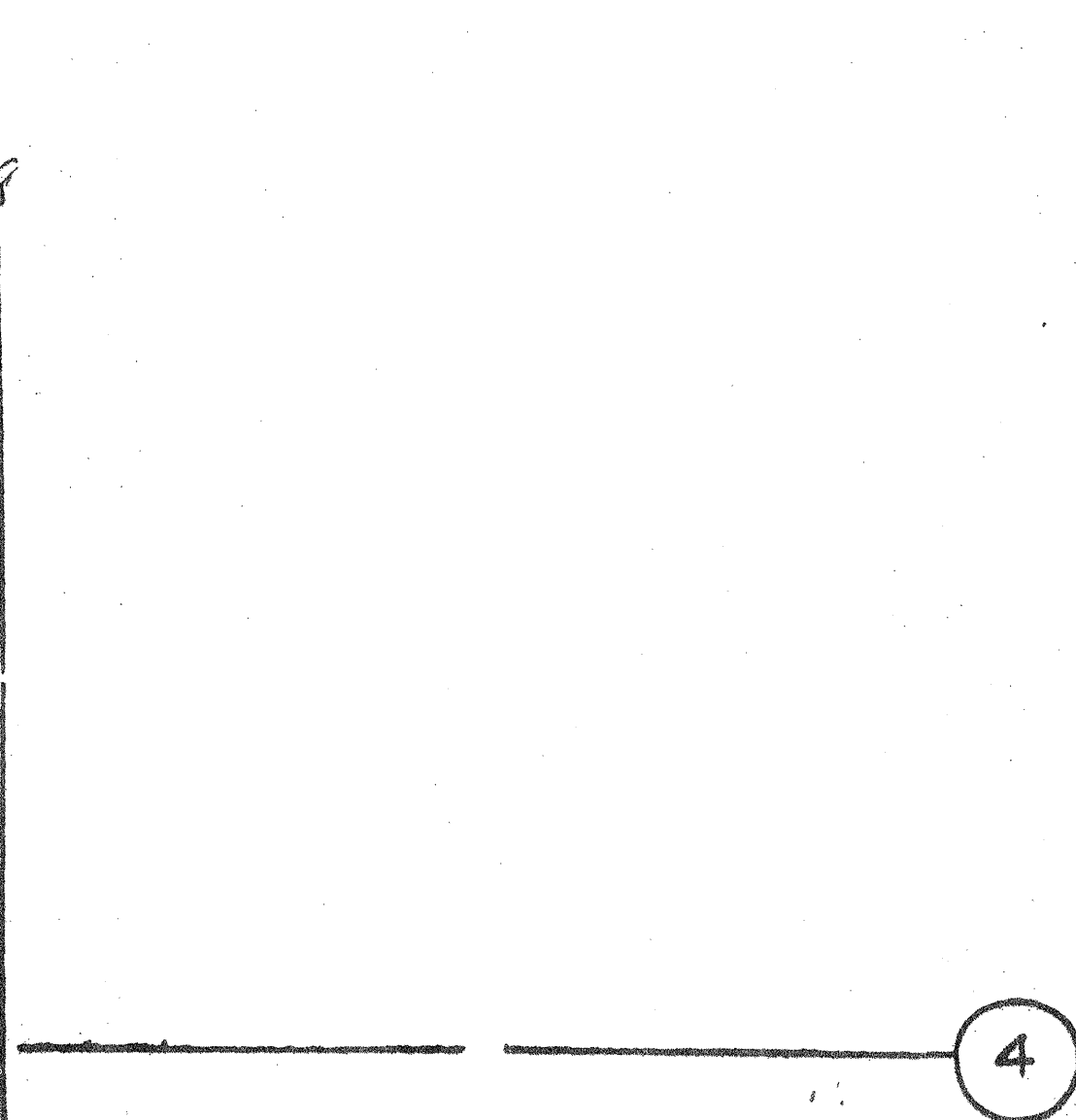
SECTION B SIDEWALL



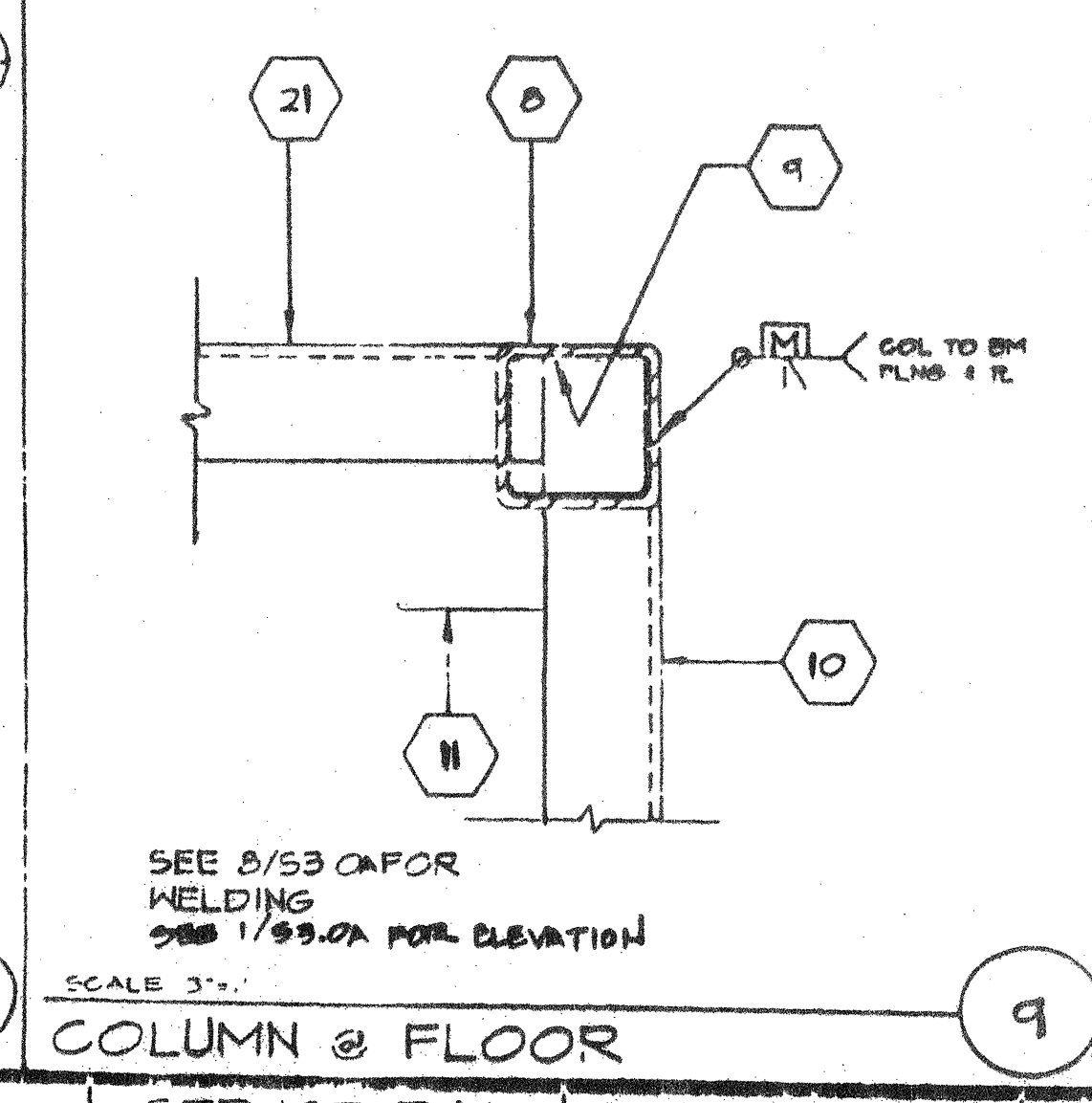
STIFFENER SECTION @ FLOOR



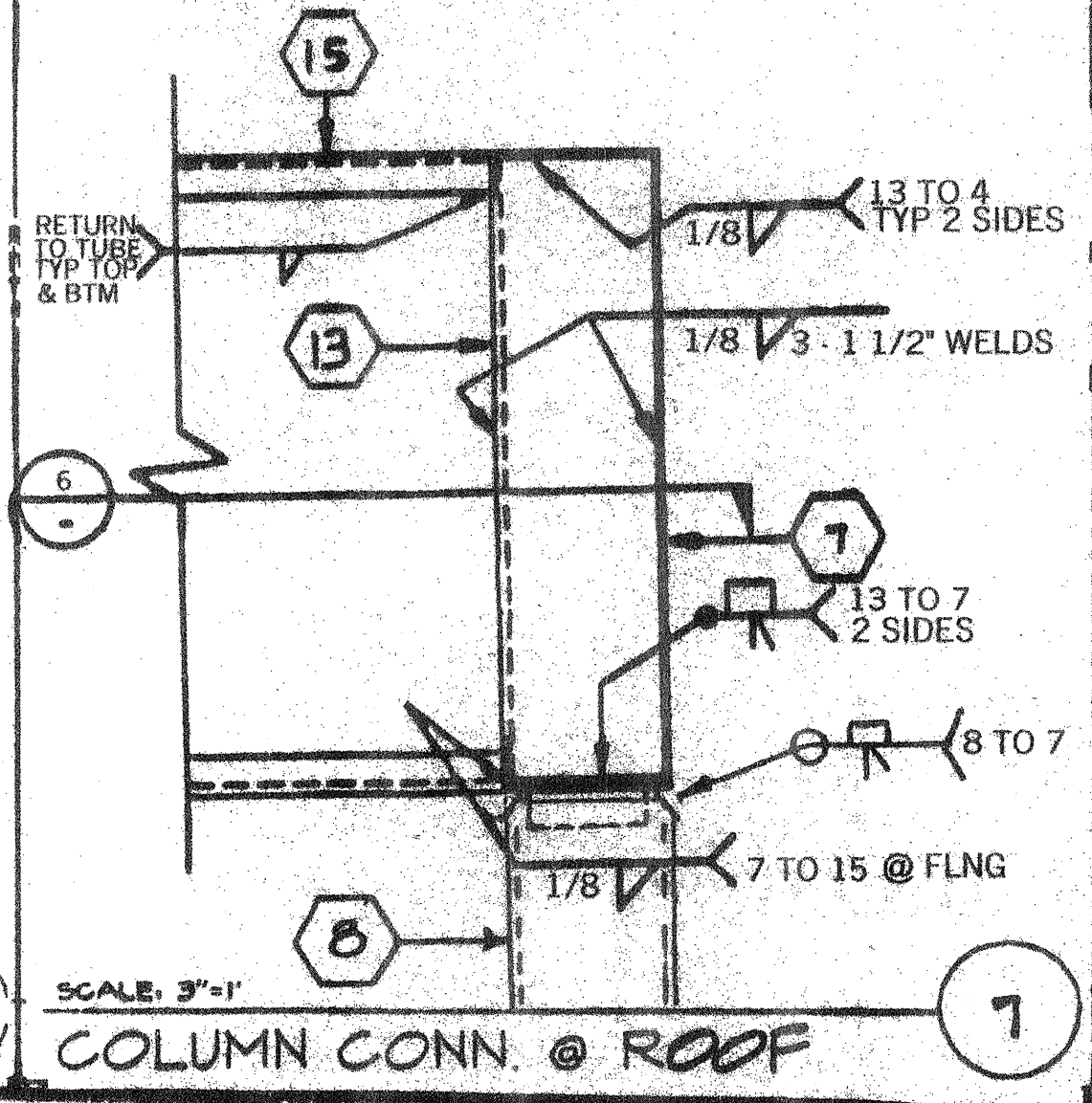
STIFFENER SECTION @ ROOF



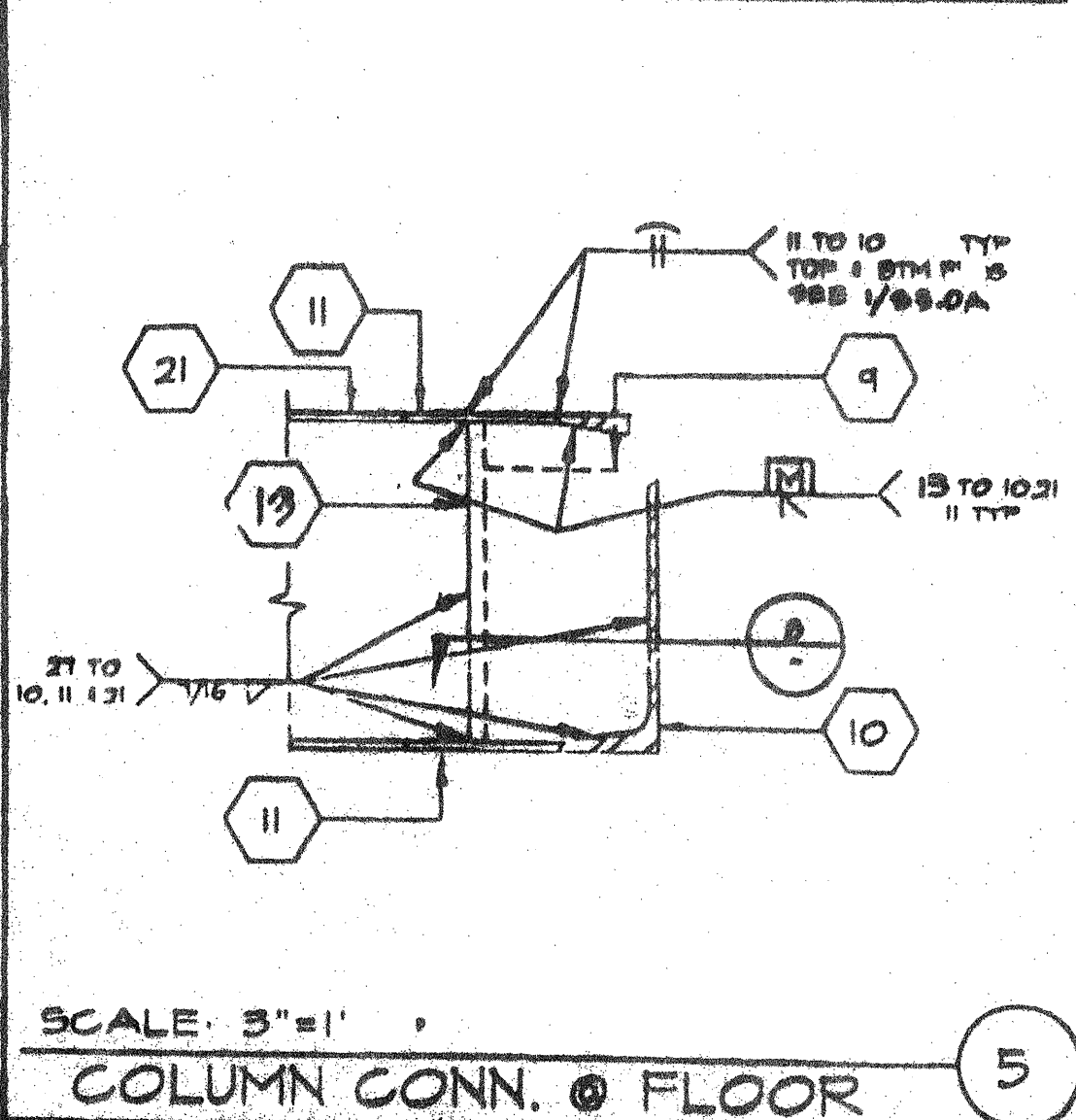
COLUMN CONN. @ FLOOR



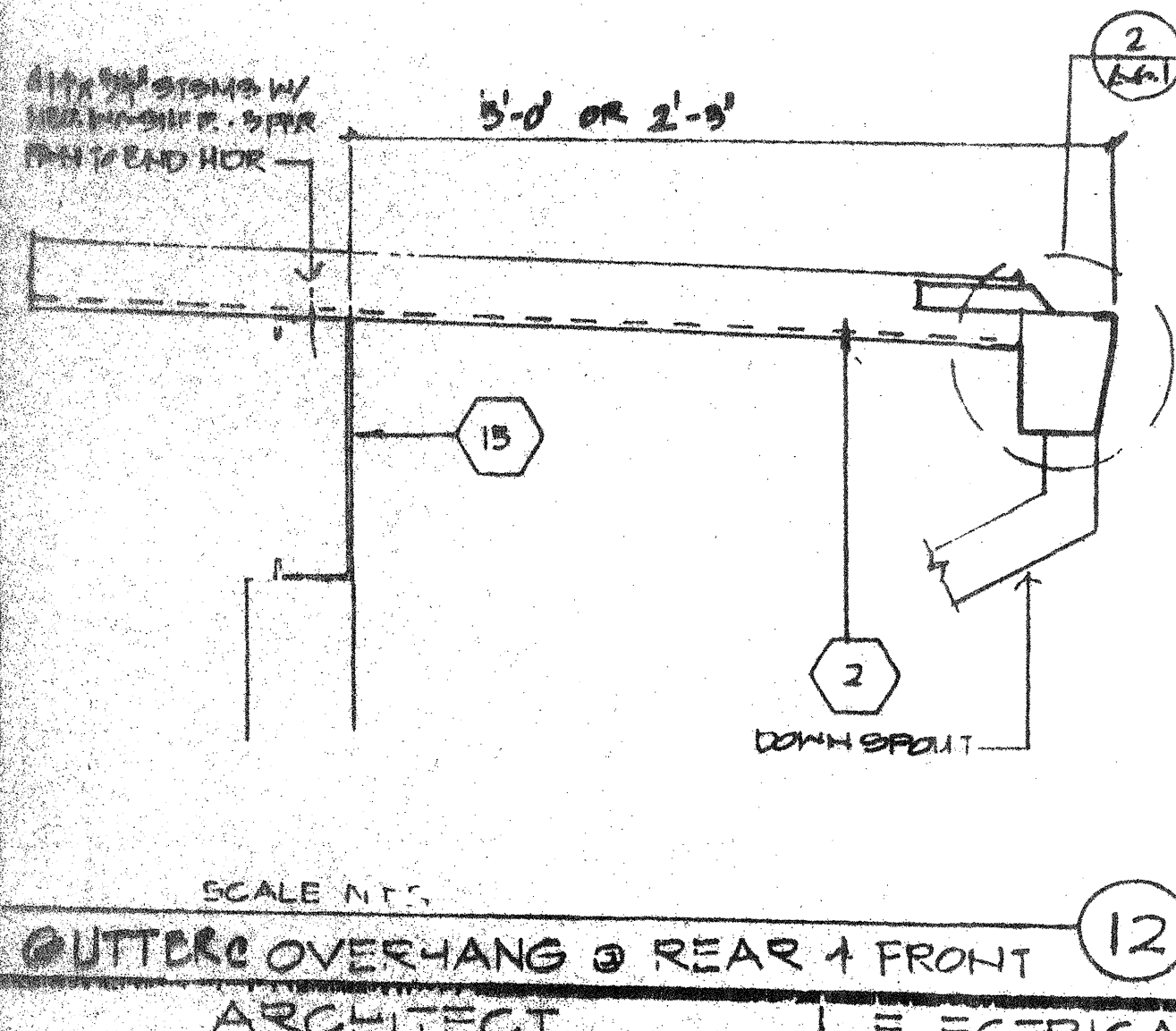
COLUMN @ FLOOR



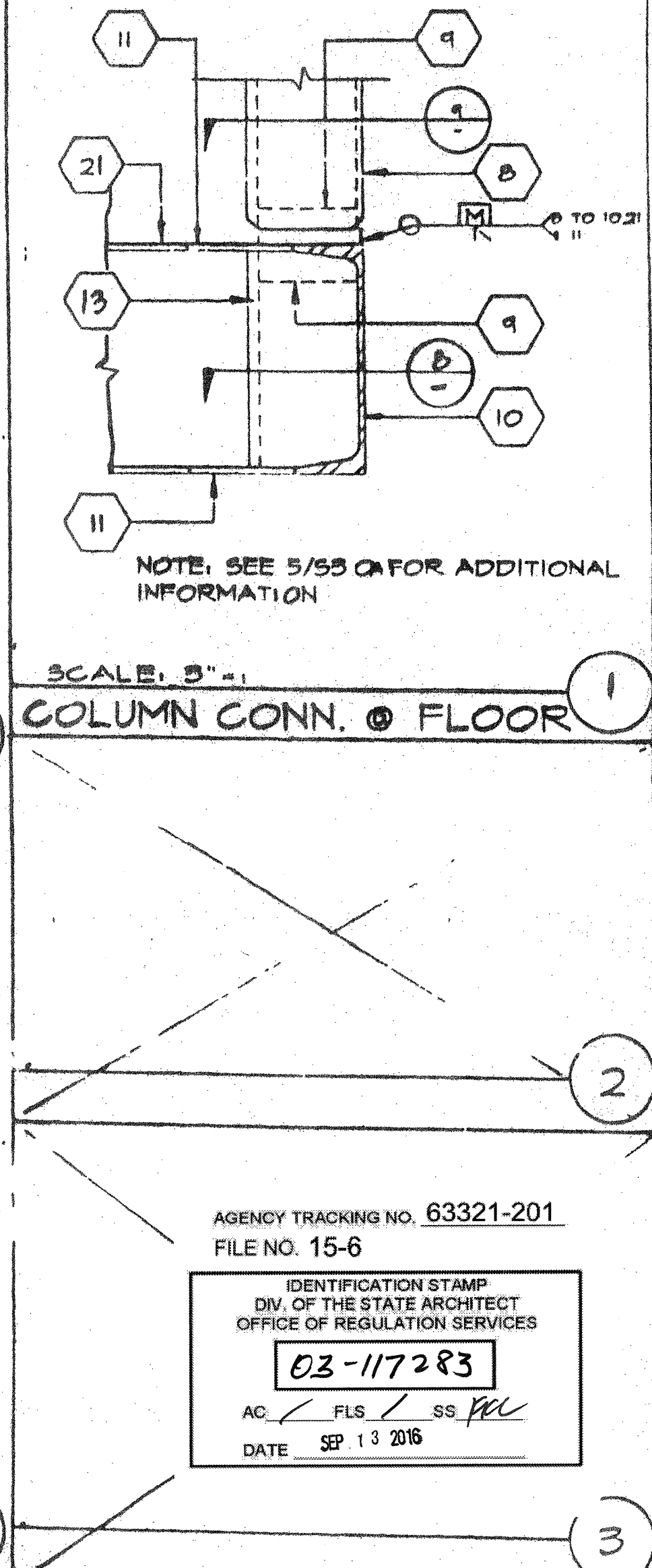
COLUMN CONN. @ ROOF



COLUMN CONN. @ FLOOR



GUTTER OVERHANG @ REAR & FRONT



COLUMN CONN. @ FLOOR

ARCHITECT	ELECTRICAL	STRUCTURAL	MECHANICAL	FIRE MARSHAL	ACCESS COMPLIANCE	STRUCTURAL SAFETY

AGENCY TRACKING NO. 63321-201
FILE NO. 15-6

IDENTIFICATION STAMP
DIV. OF THE STATE ARCHITECT
OFFICE OF REGULATION SERVICES
03-117283
AC: FLS / SS: *[Signature]*
DATE: SEP 13 2016

IDENTIFICATION STAMP
DIV. OF THE STATE ARCHITECT
OFFICE OF REGULATION SERVICES
04: 101555
AC: FLS / SS: *[Signature]*
DATE: SEP 09 2016

4012-094

© MODTECH INC. 1991

3278

MODTECH INC.

DUAL PITCH
STRUCTURAL ELEVATIONS AND DETAILS
S3.0A

DRAWN BY: *[Signature]*
DATE: 9/9/99
CHECKED BY: *[Signature]*
DATE: *[Signature]*