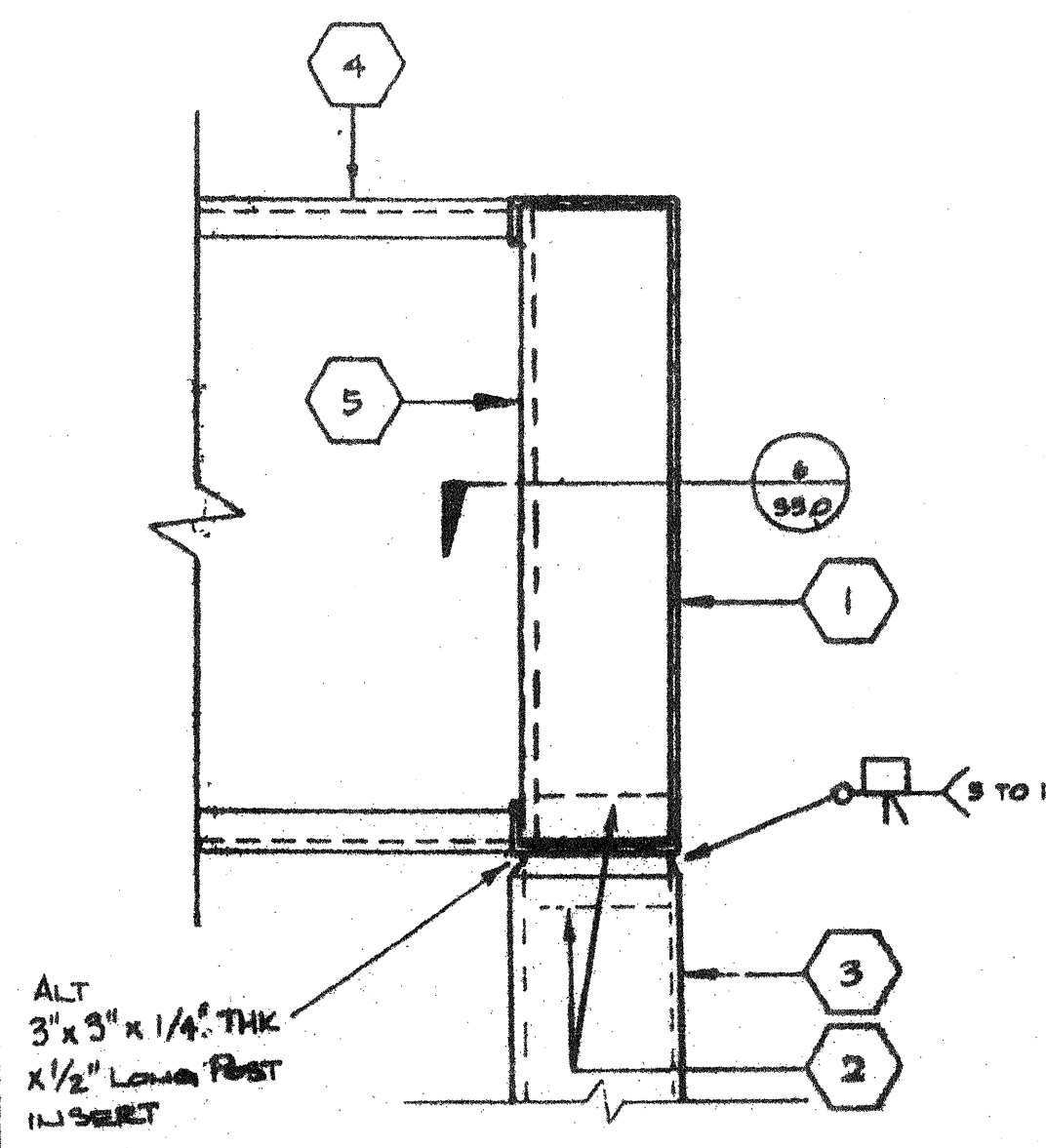
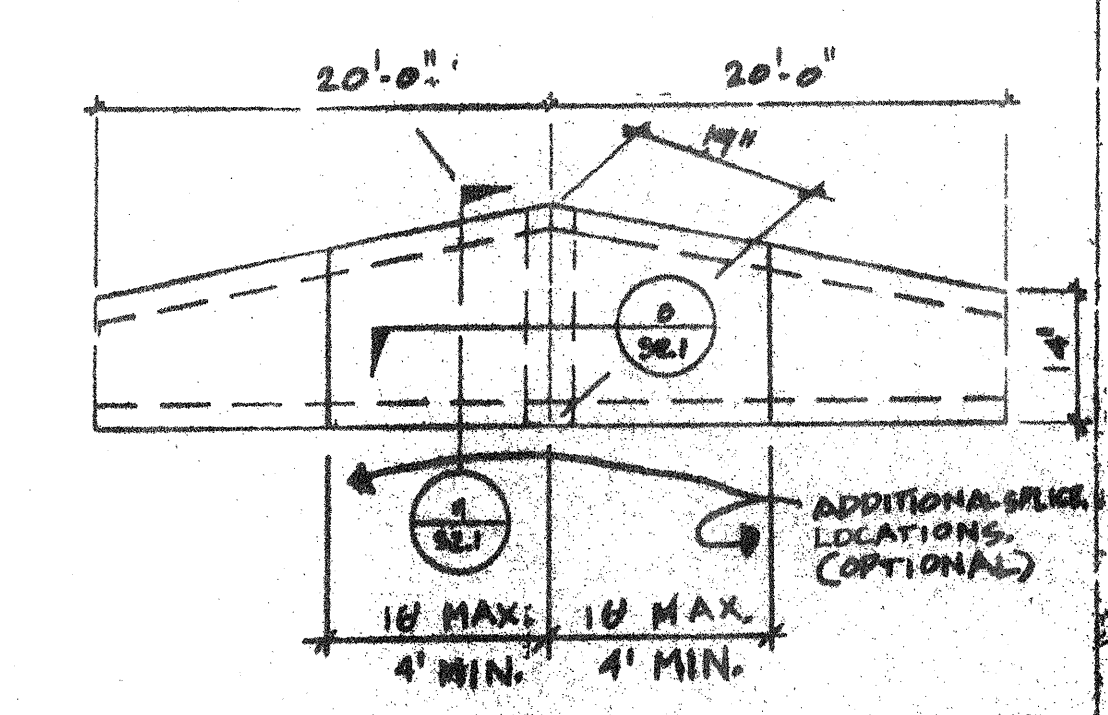


KEY NOTES

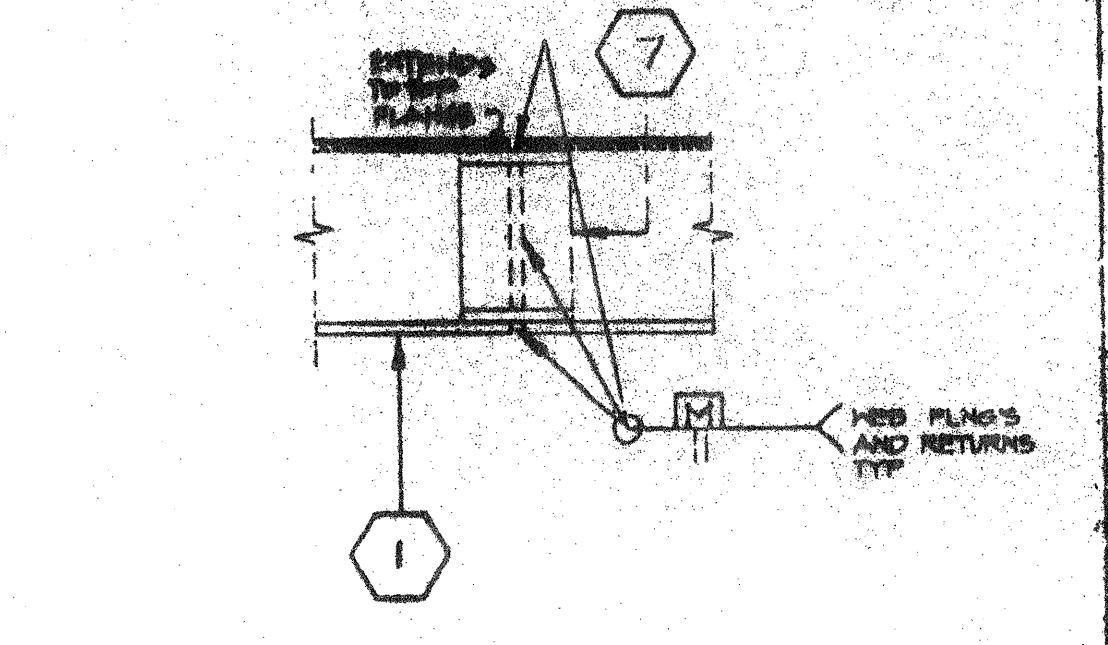
- 1 10GA TAPERED RF. BM. SEE T/5/2.1 & I/9/2.1
- 2 BACK-UP PLATE MIN. 10GA.
- 3 3 1/2"x3 1/2"x1/4" COLUMN
- 4 14"x10GA. RF. HDR. SEE 3/5/2.1
- 5 3 1/2"x3 1/2"x1/4" TUBE COPE TO FIT RF. BM.
- 6 FLOOR JOIST SEE 6/5/2.1
- 7 10GA BENT PLATE BACK-UP
- 8 1/4" STIFFENER PL.
- 9 #10 STMS @ 6" O.C. (SEE S1.0)
- 10 PLYWOOD FLR. SHEATHING
- 11 FLOOR BEAM SEE 3/5/2.1
- 12 5"x8"x1/4" P.



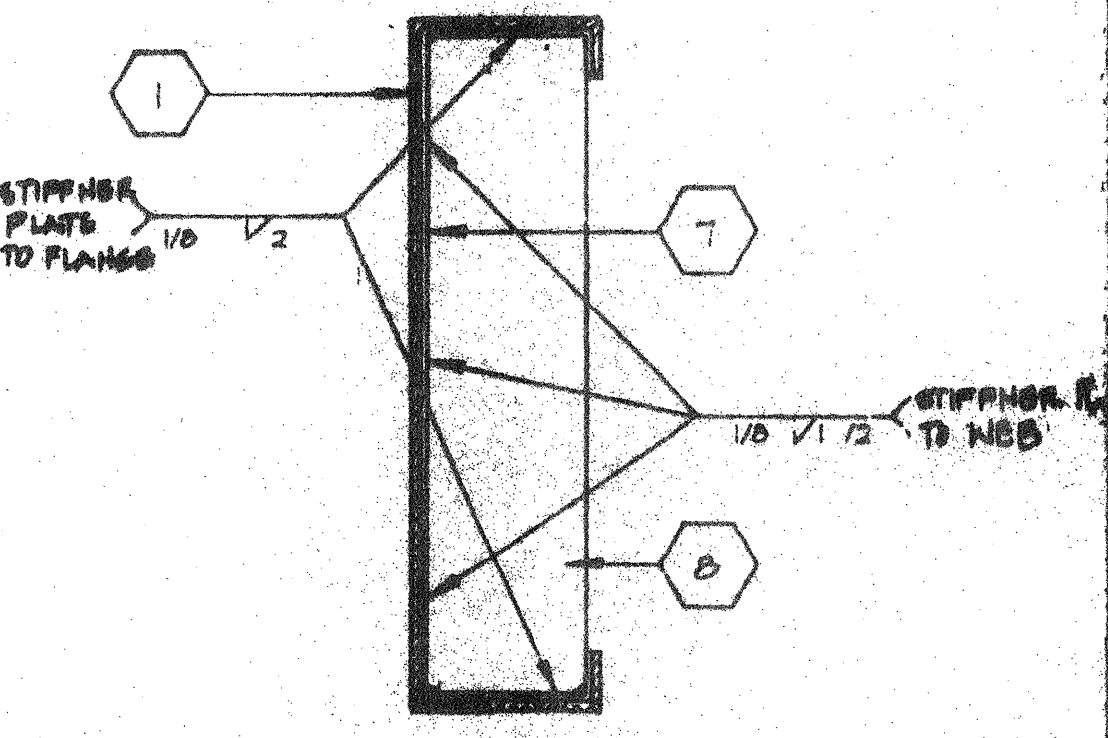
SCALE 3"=1'
COLUMN CONN. @ ROOF



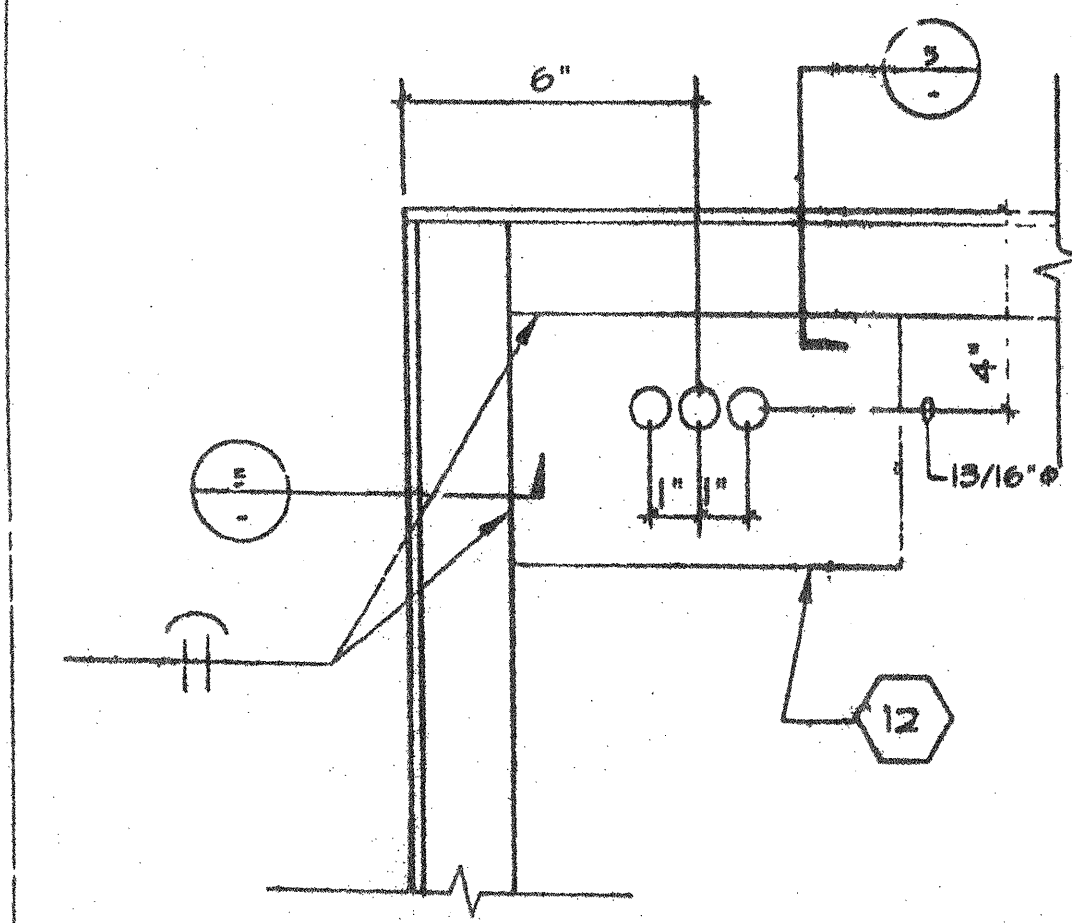
SCALE 1/8\"/>



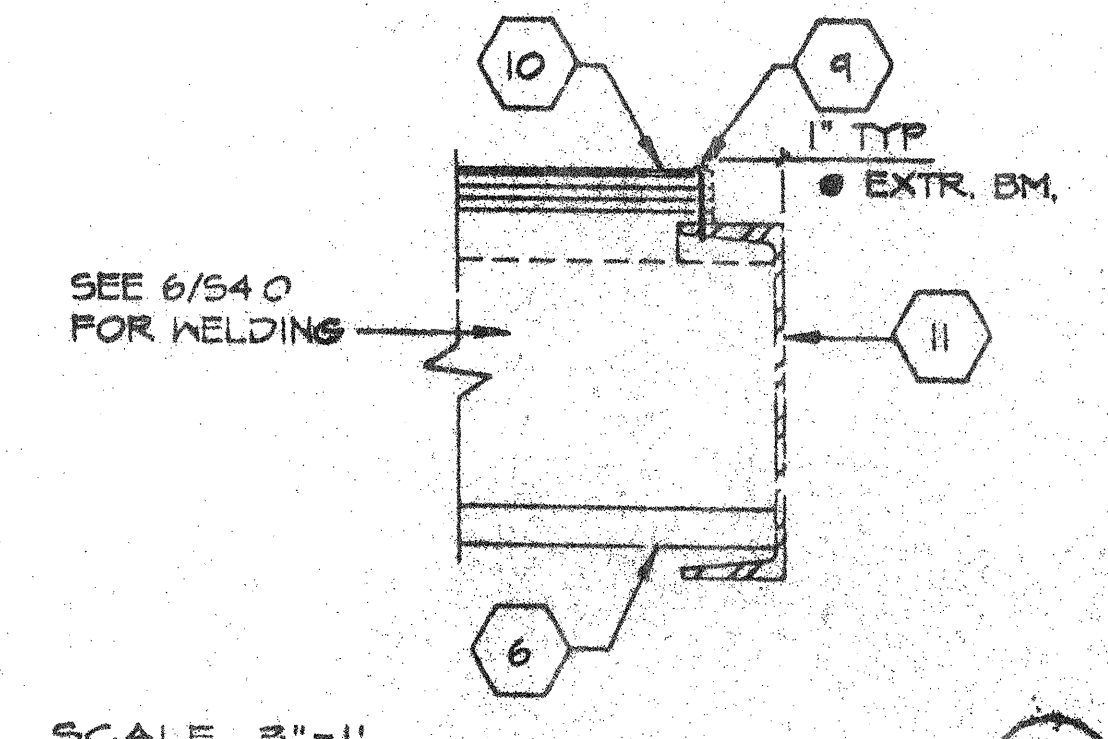
SCALE 3"=1'
BEAM SPLICE



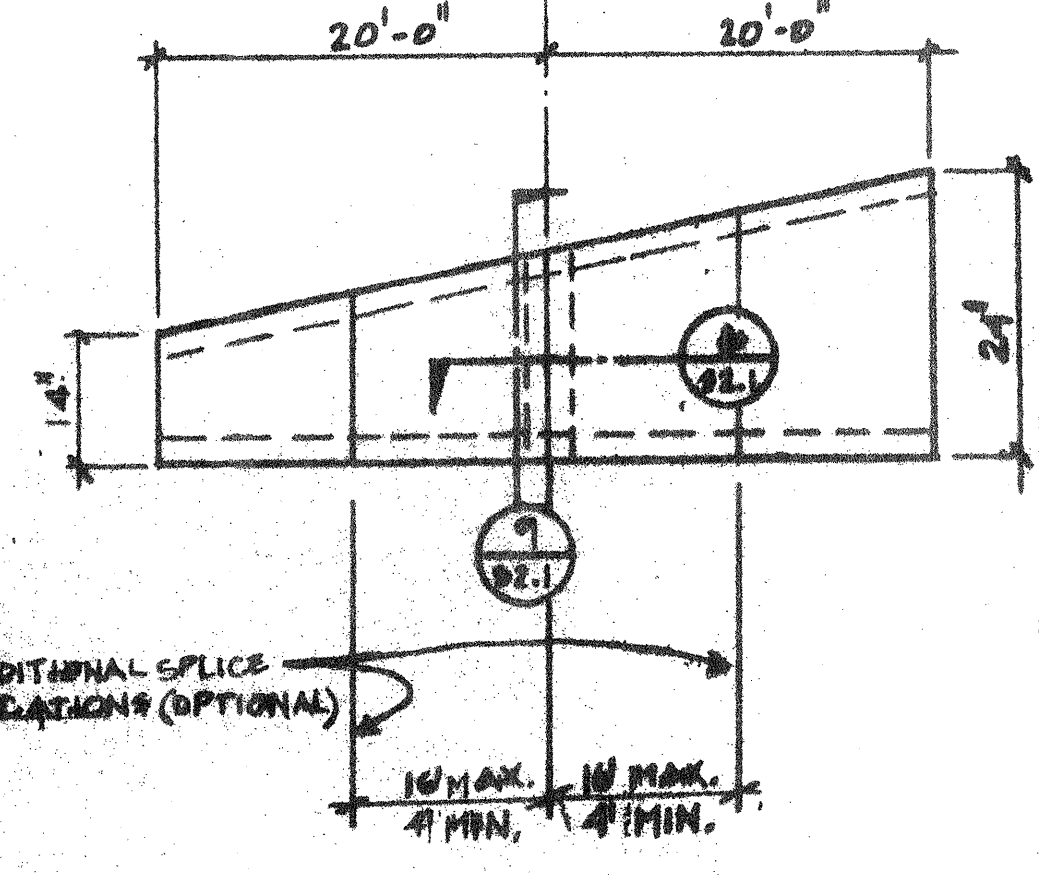
SCALE 3"=1'
BEAM SPLICE W/STIFFENER



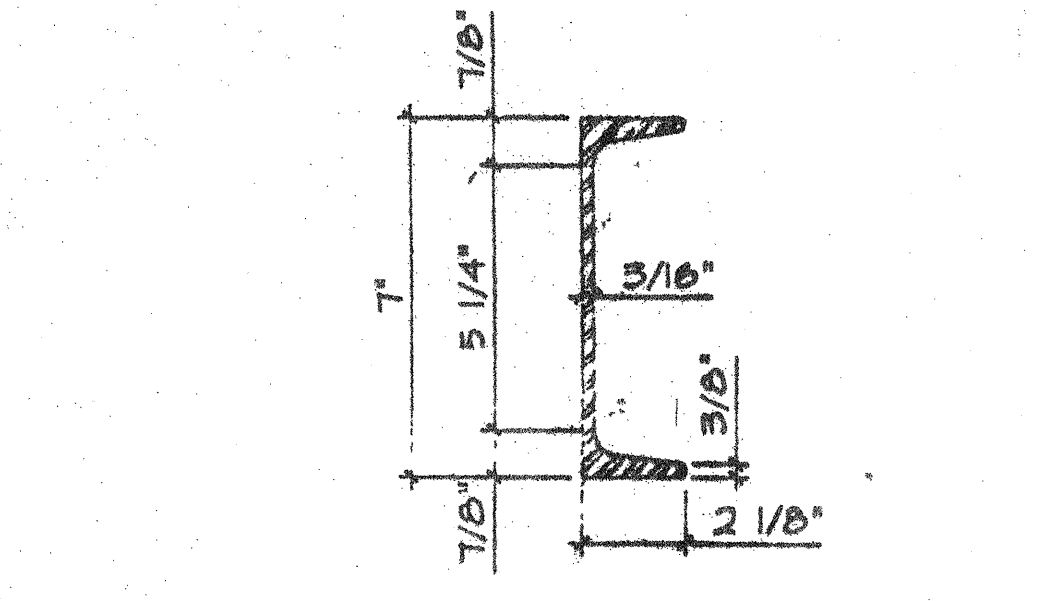
SCALE 3"=1'
ANCHOR PLATE @ CONC. FOUND.



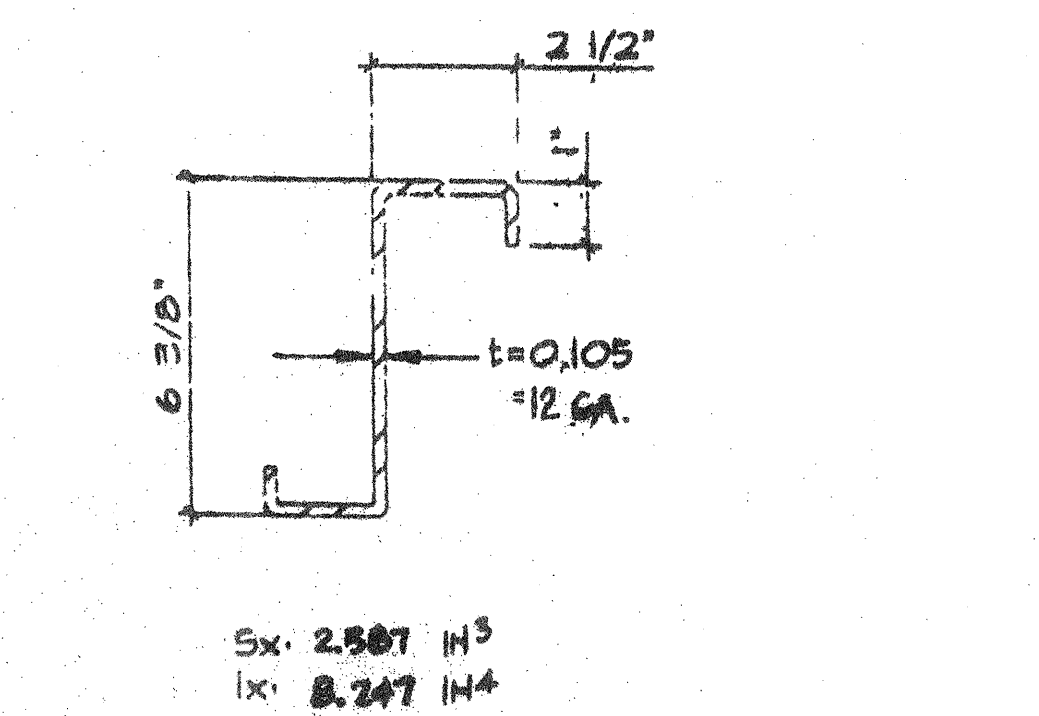
SCALE 3"=1'
FLOOR @ FLOOR BEAM



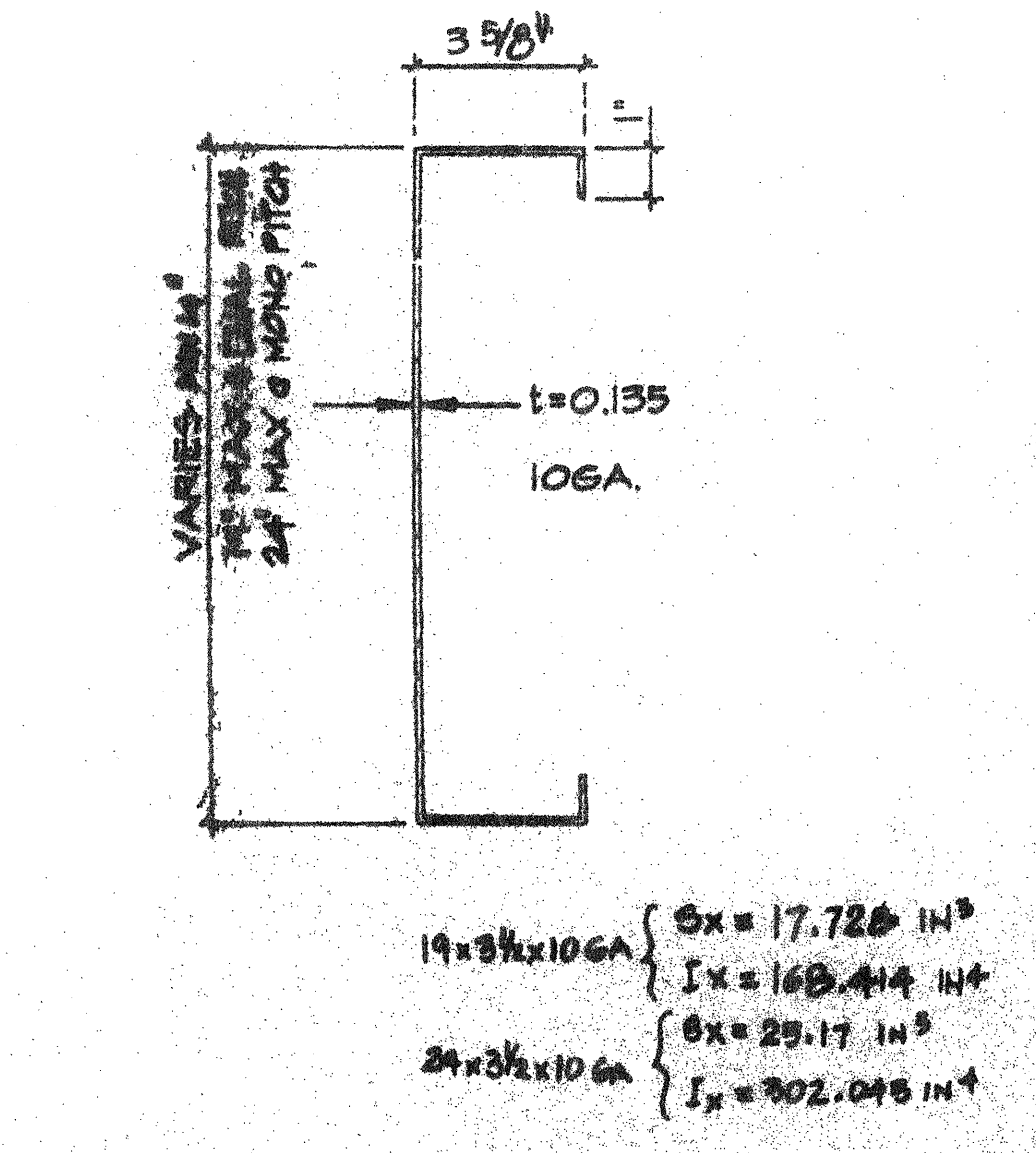
SCALE 3"=1'
FASCIA @ SIDEWALL (MONO PITCH)



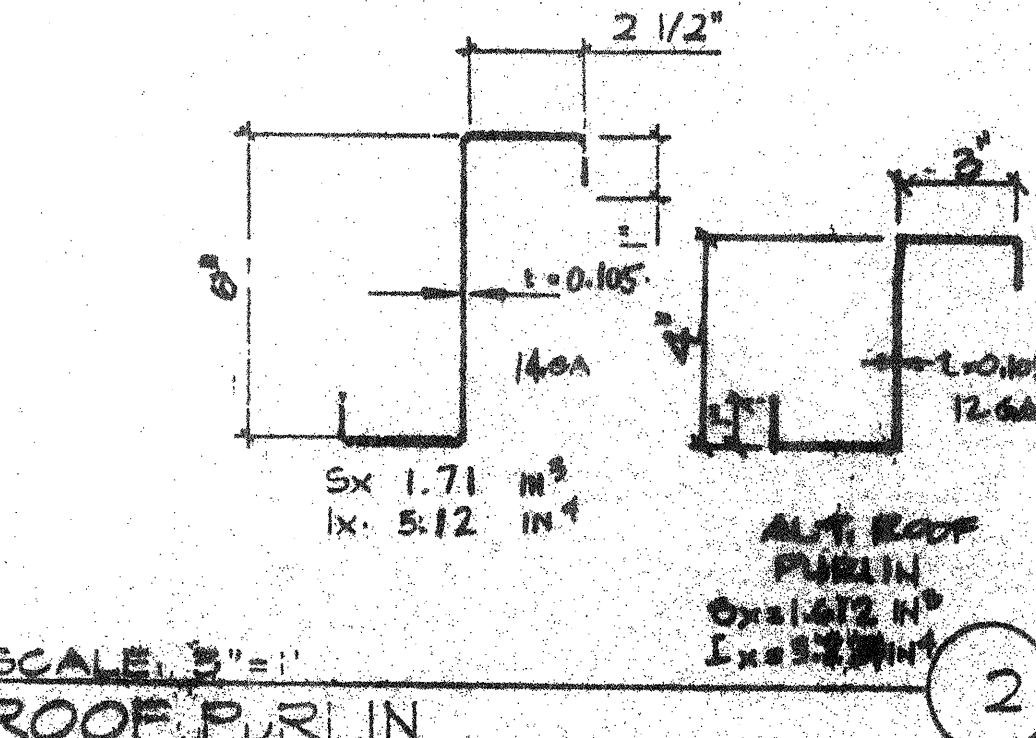
SCALE 3"=1'
FLOOR BEAM CTX9.8



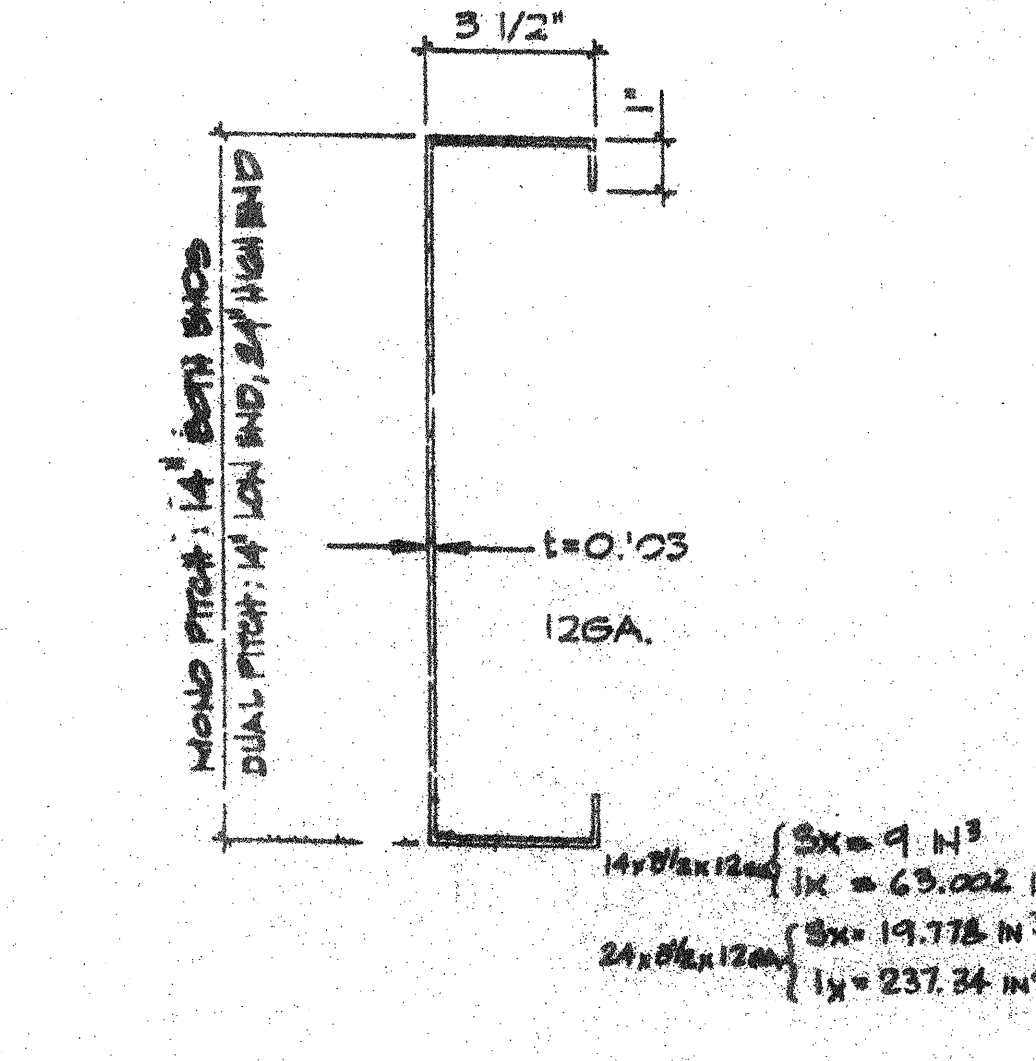
SCALE 3"=1'
FLOOR JOIST



SCALE 3"=1'
TAPERED ROOF BEAM



SCALE 3"=1'
ROOF PURLIN



SCALE 3"=1'
ROOF HEADER

IDENTIFICATION STAMP
DIV. OF THE STATE ARCHITECT
OFFICE OF REGULATION SERVICES
04 101555
AC FLS SS JP
DATE SEP 09 1999

AGENCY TRACKING NO. 63321-201
FILE NO. 15-6

IDENTIFICATION STAMP
DIV. OF THE STATE ARCHITECT
OFFICE OF REGULATION SERVICES
03-17283
AC FLS SS JPC
DATE SEP 13 2016

ARCHITECT	ELECTRICAL	STRUCTURAL	MECHANICAL	FIRE MARSHAL	ACCESS COMPL. ANCE	STRUCTURAL SAFETY
					REVISED 3/11/96	
					PC-275	

4012-094

© MODTECH INC. 1994

3278

DRAWN BY DATE 9/4/99

CHECKED BY DATE

DATE

STRUCTURAL DETAILS

S2.1