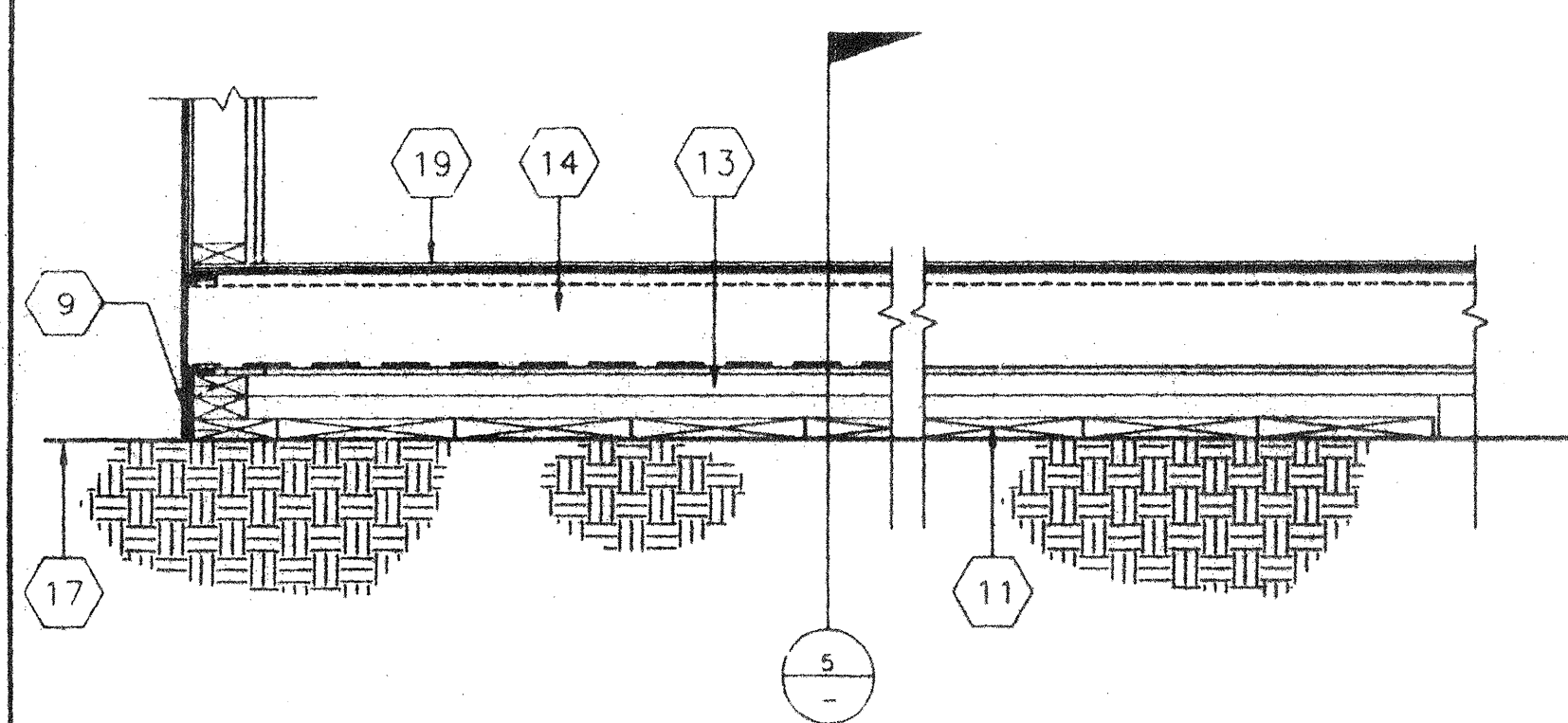
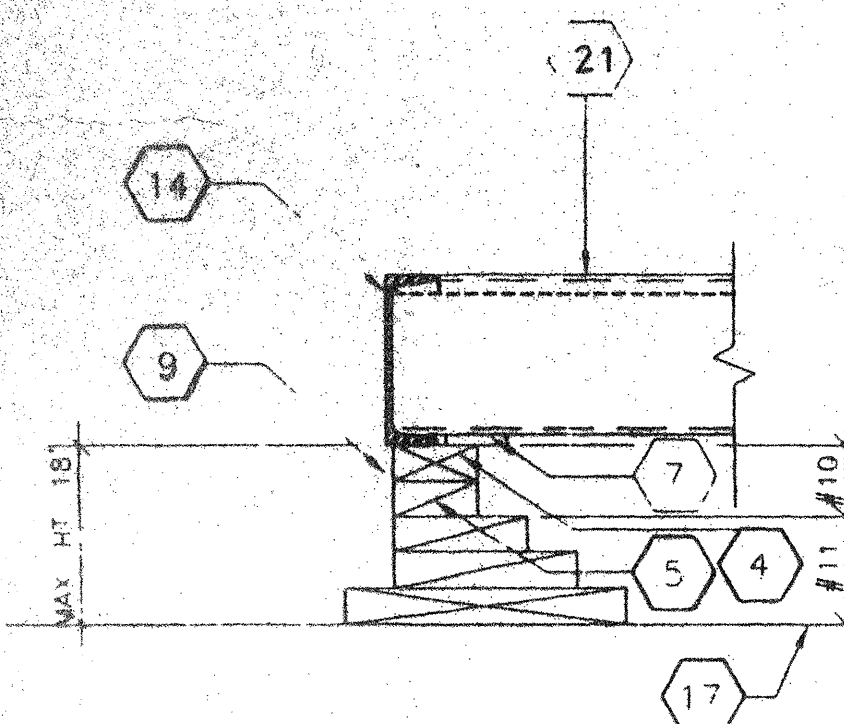


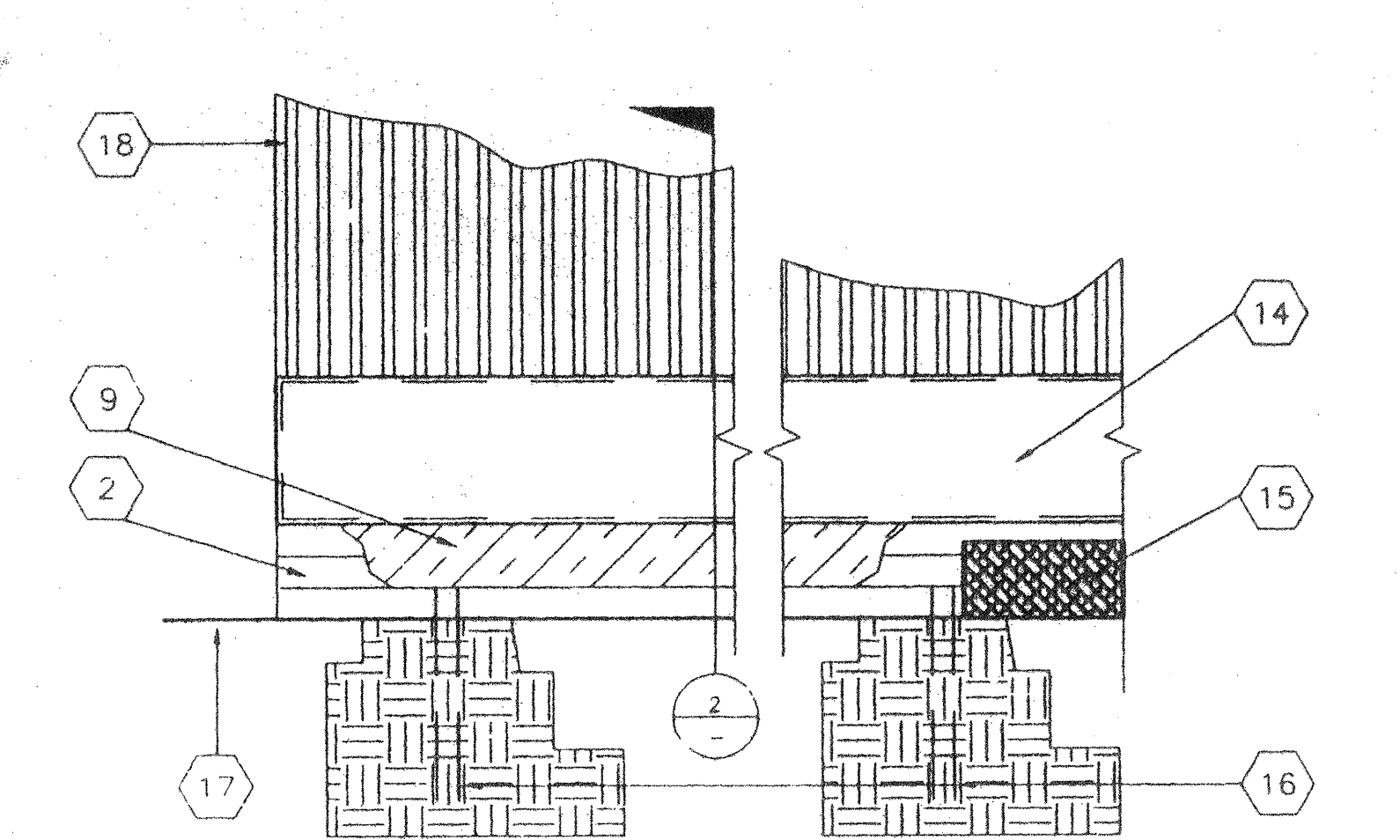
9 SCALE 1 1/2"=1'-0"
ALTERNATE HOLD DOWN



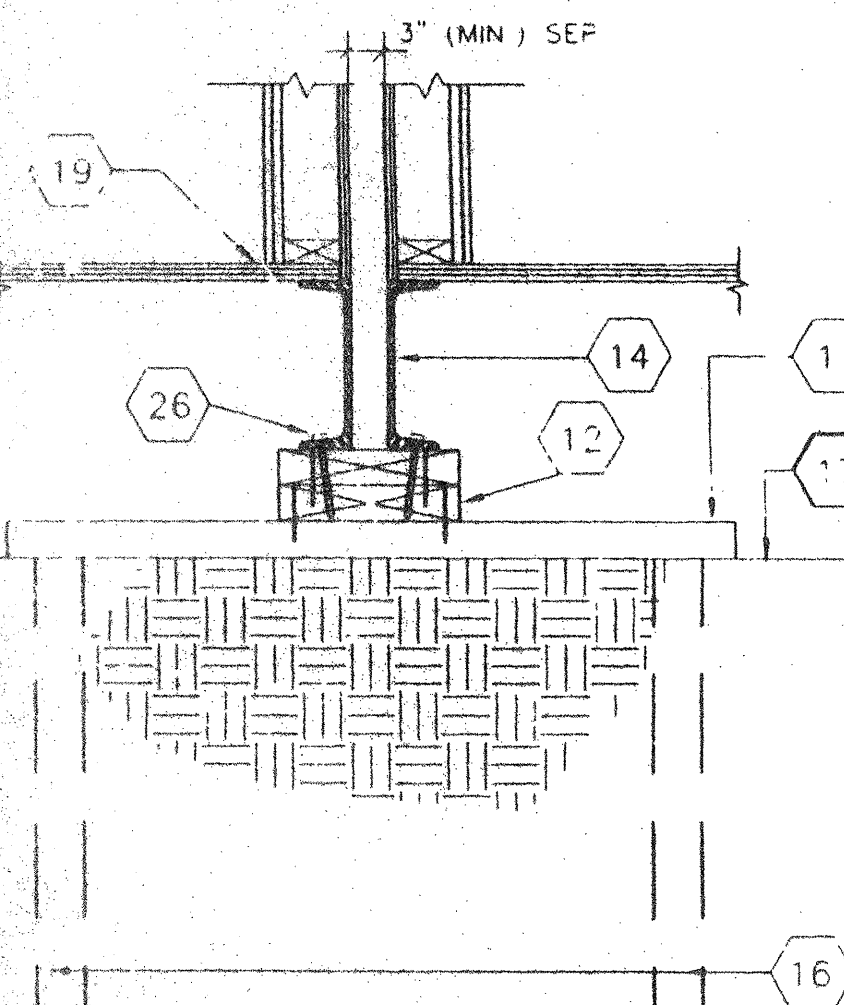
6 SCALE 1 1/2"=1'-0"
MODLINE PAD @ END WALL



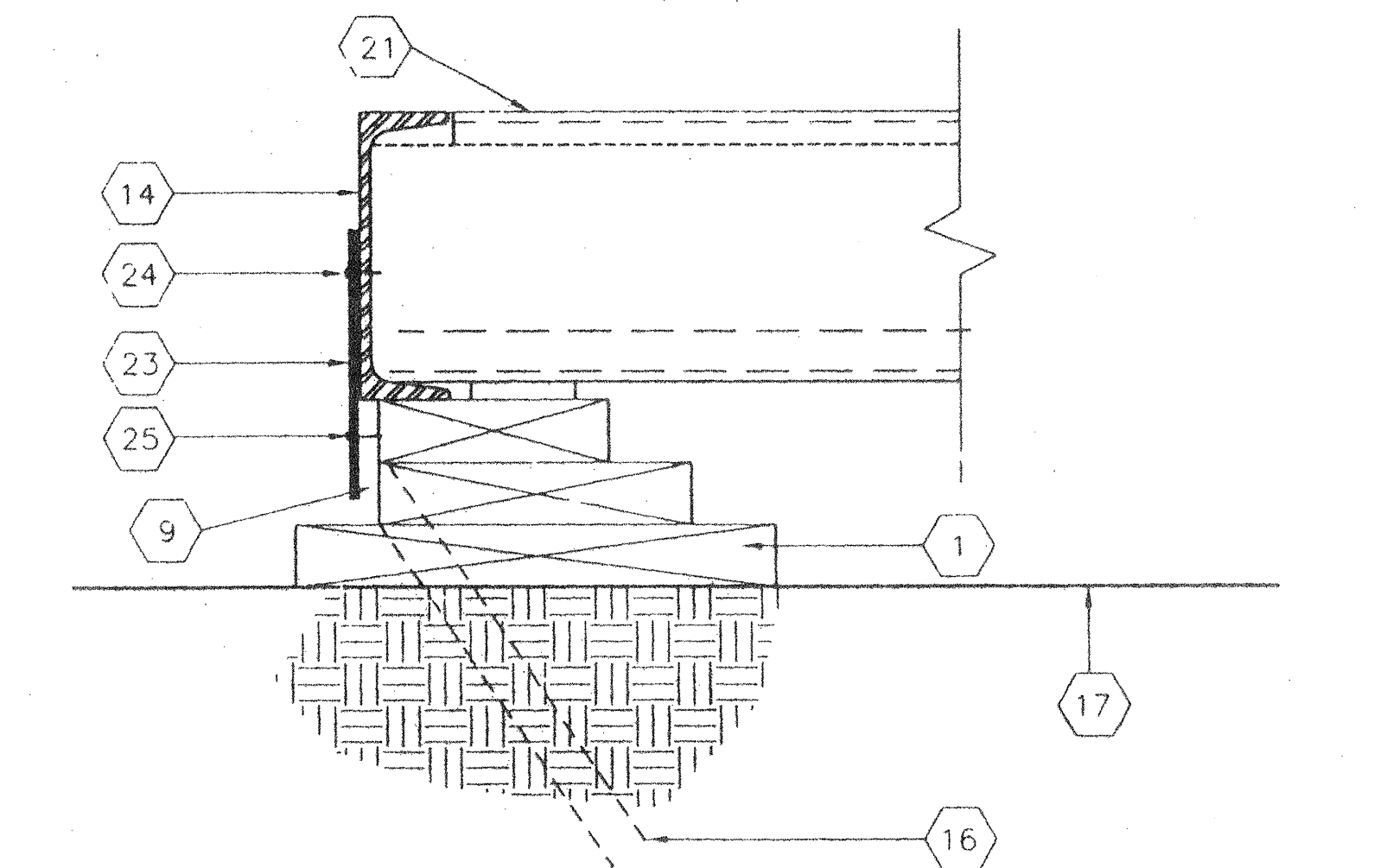
10 SCALE: 1 1/2"=1'-0"
ADD BLK'S/SHIMS TO LEVEL FOUND.



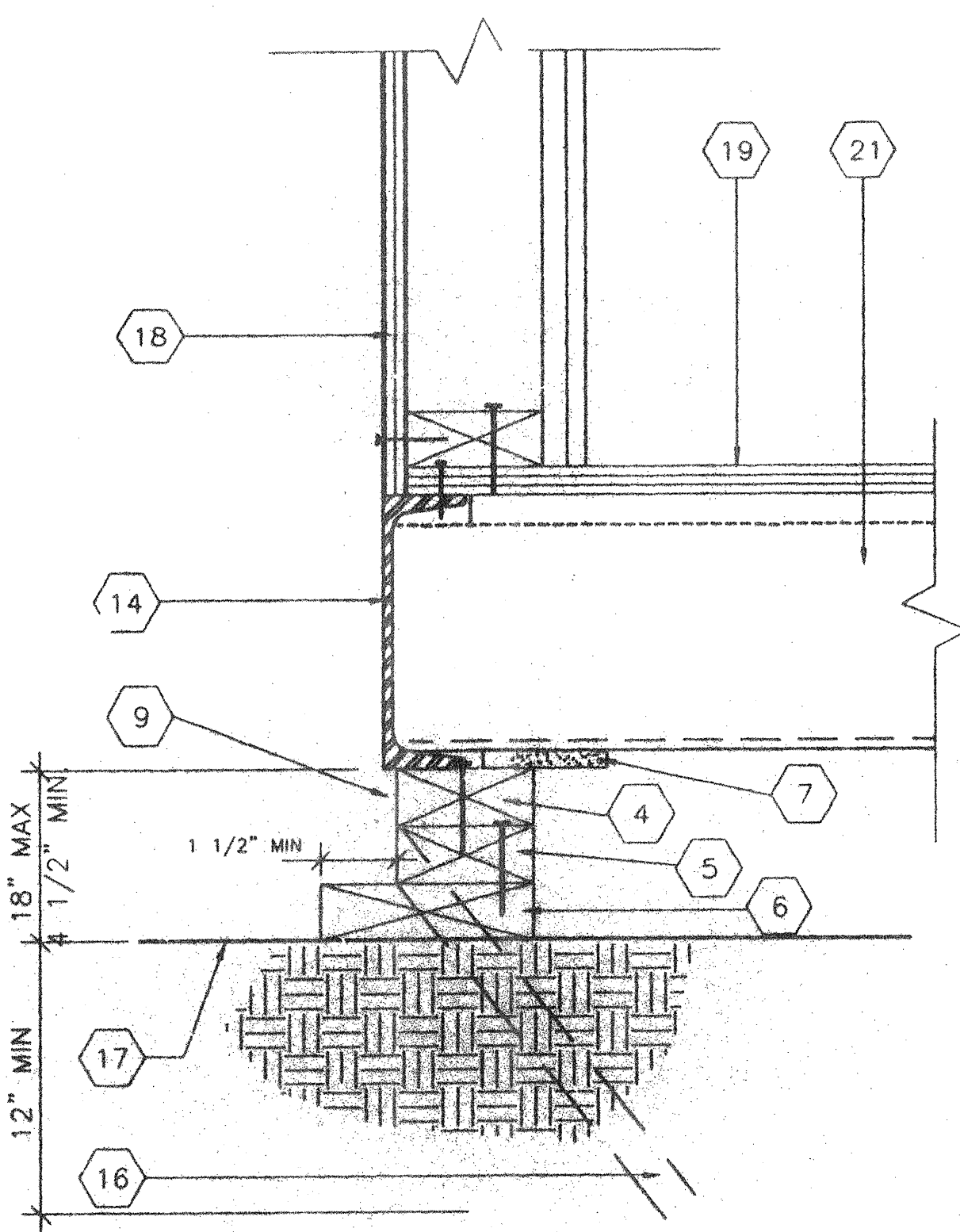
7 SCALE 1 1/2"=1'-0"
FOUNDATION ELEVATION @ SIDE WALL



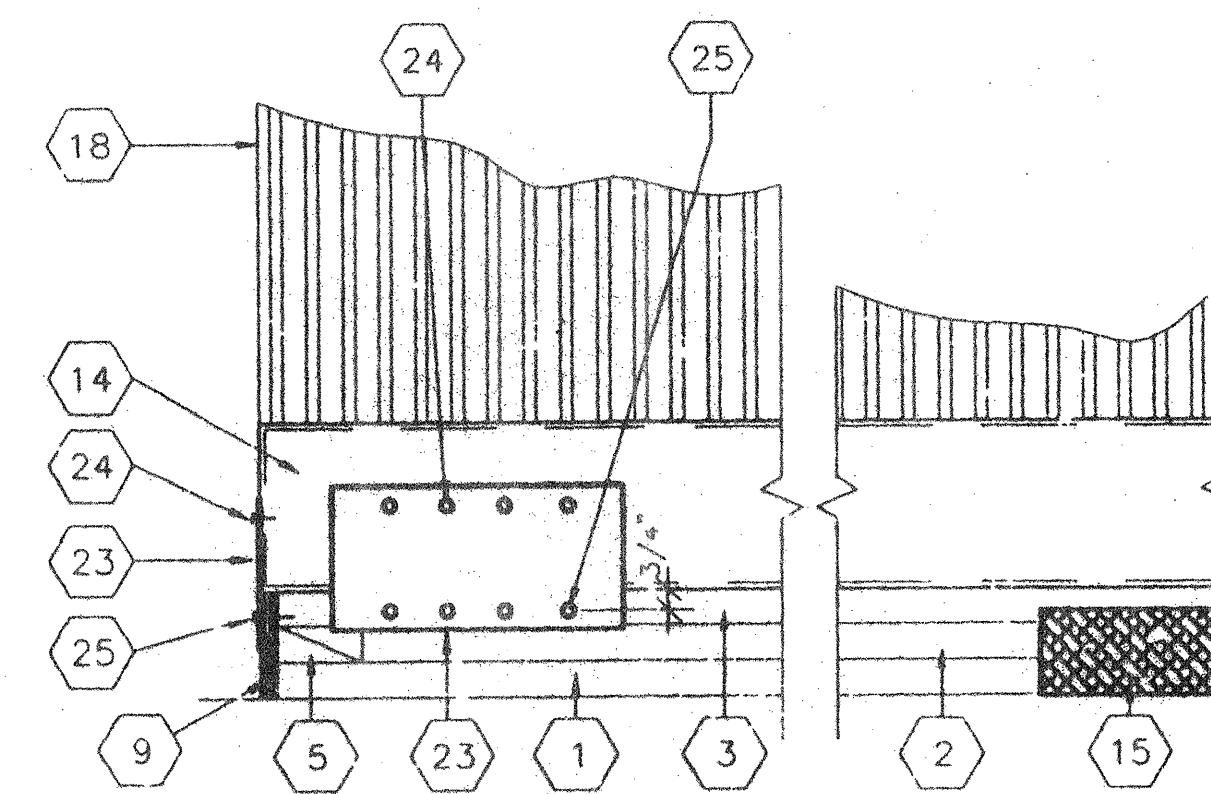
11 (OPTIONAL)
SCALE: 1 1/2"=1'-0"
FOUND. AT ADJ. BLDG



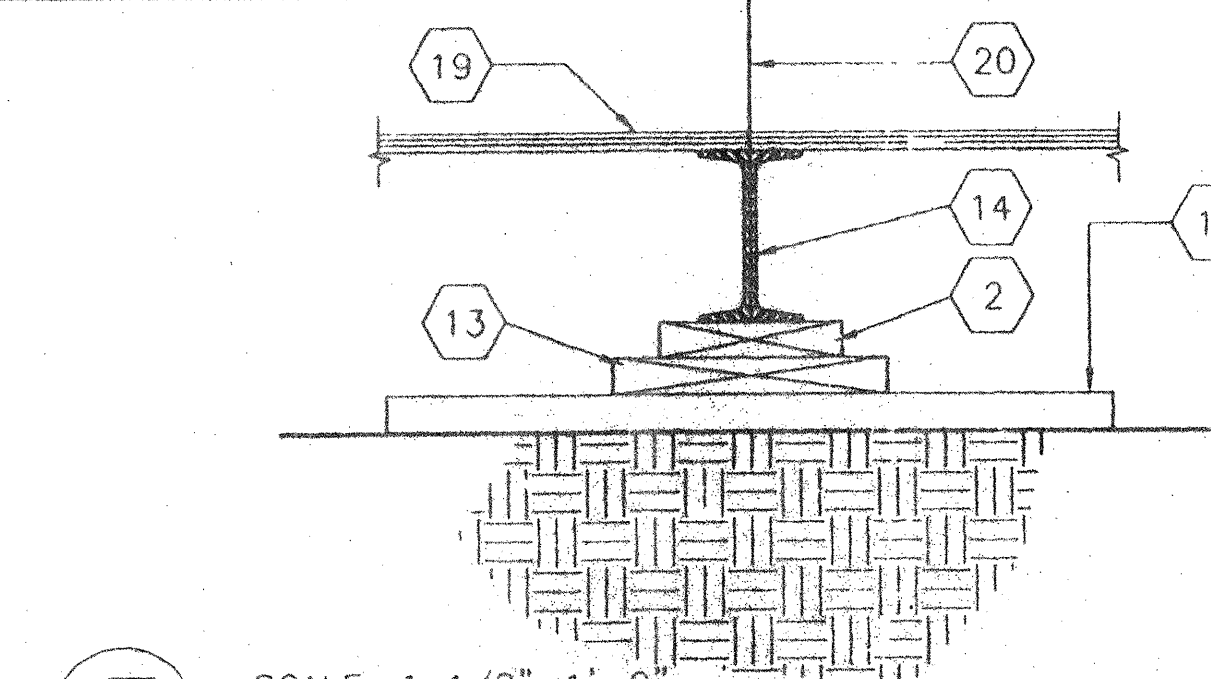
8 SCALE 3"=1'-0"
TYPICAL TIE PLATE



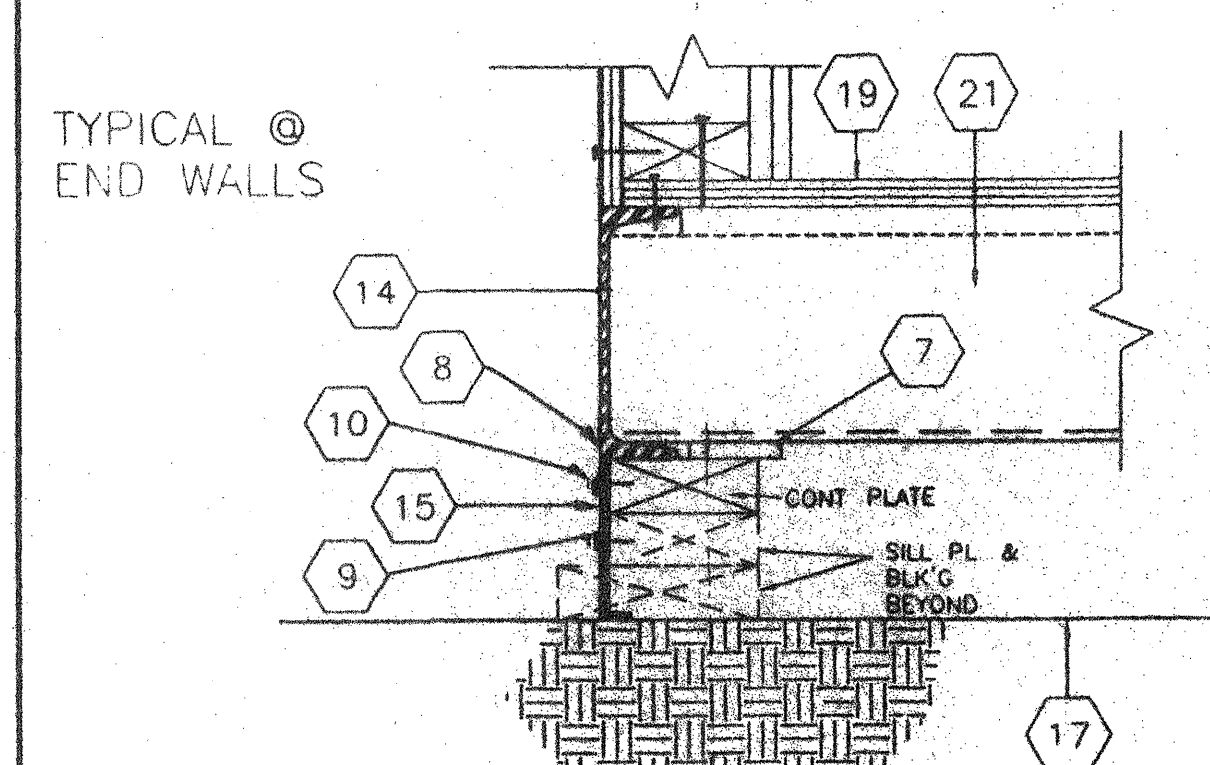
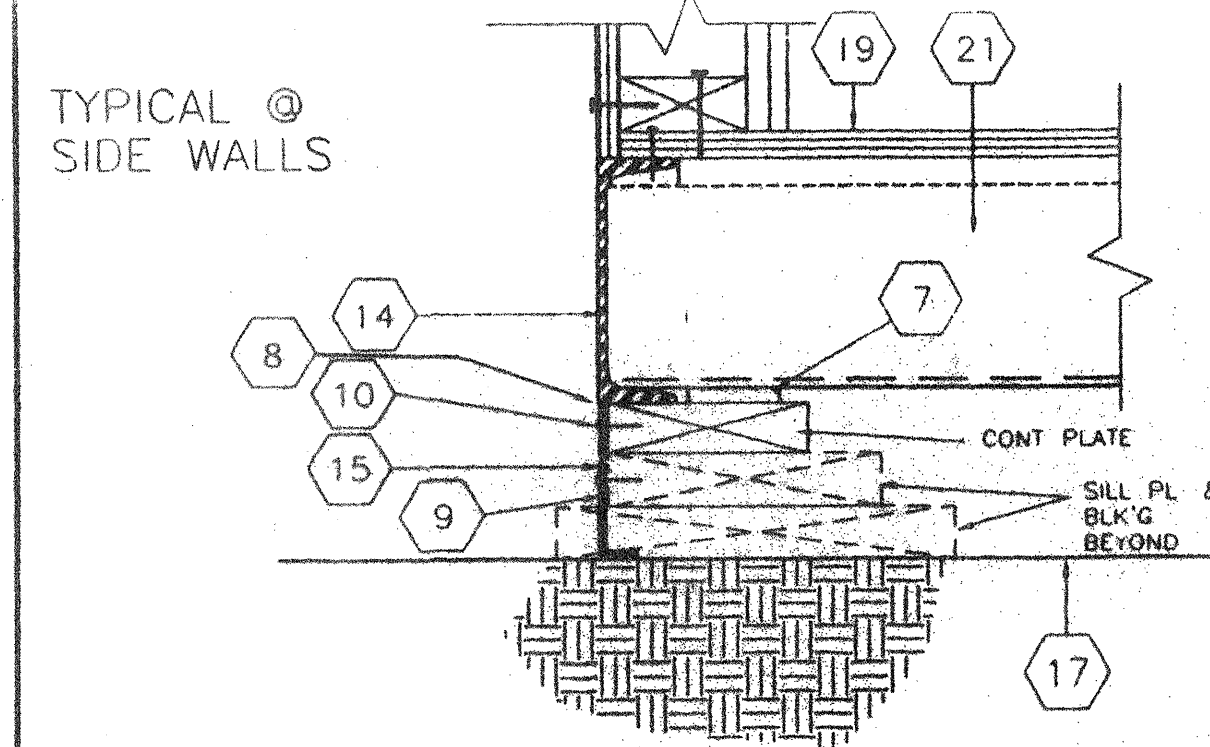
3 SCALE 3"=1'-0"
FOUNDATION @ END WALL



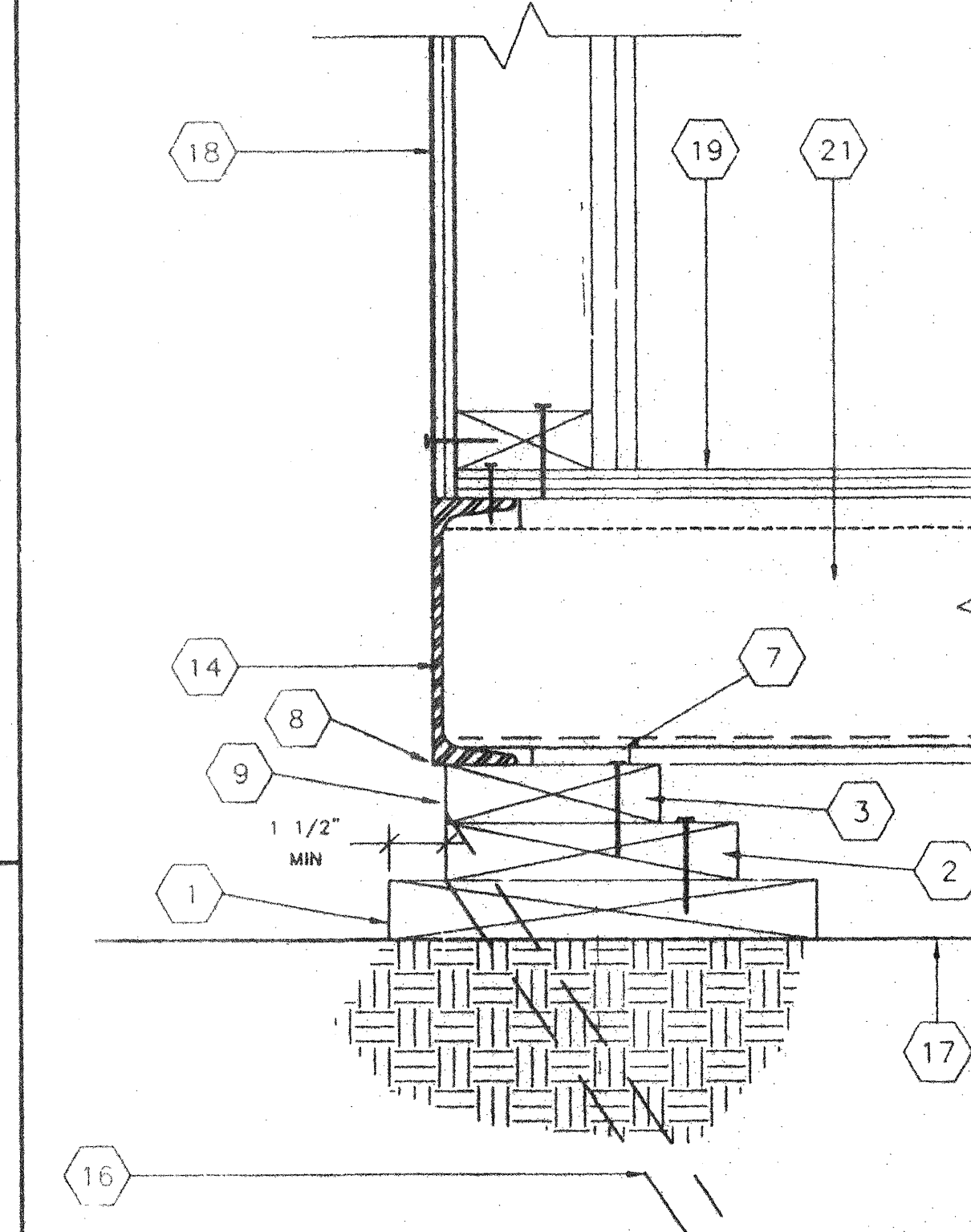
4 SCALE 1 1/2"=1'-0"
DETAIL @ FOUNDATION CORNER



5 SCALE 1 1/2"=1'-0"
FOUNDATION PAD @ MODLINE



1 SCALE NTS
FOUNDATION VENT



2 SCALE 3"=1'-0"
FOUNDATION @ SIDE WALL

KEY NOTES

- 1 2X12 SILL PLATE SEE FOUND PLAN FOR LENGTH
- 2 2X8 BLOCKING W/16d @ MAX 5' O C TO SILL PLATE
- 3 2X6 CONT. PLATE W/16d @ MAX 5' O C TO BLOCKING
- 4 2X4 TOP PLATE W/16d @ MAX 5' O C TO BLOCKING
- 5 2X4 BLOCKING W/16d MAX 5' O C TO SILL PLATE
- 6 2X6 SILL PLATE SEE FOUND PLAN FOR LENGTH
- 7 5/8"X2 1/2" SHIM (WHEN REQ)
- 8 INSERT REQ'D 2X4 BLK'NG OR PLYWD SHIM W/16d @ 12" O C FACE NAIL
- 9 OPTIONAL - MIN 3/8" PLYWOOD SHIRTING W/ 10d @ MIN 4" O C @ ENDWALLS & 6" O C @ SIDEWALLS EN & TYP 12" O C FN PLATE TO PLATE NAILING FOR THE FOUNDATION MEMBERS CAN BE DECREASED TO 12" O C AND FOUNDATION BLOCKING SHALL BE RECESSED SUCH THAT THE SHIRTING SHALL BE INSTALLED FLUSH WITH THE PERIMETER FLOOR CHANNEL
- 10 10d GALV NAIL @ MAX 4" O C
- 11 2X12X2'-6" SILL PLATE SEE FOUND PLAN FOR QUANTITY REQ'D
- 12 2 X 10 PLATES W/ 2-16D BOX @ 6" O C
- 13 2X10 BLK'NG FACE OR TOE NAIL 16d @ MAX 12" O C ADD BLKS OR SHIMS AS REQ'D
- 14 FLOOR FRAME BEAM SEE STRUCTURAL
- 15 TYPICAL FOUNDATION VENT (SEE FOUNDATION PLAN FOR SIZES AND LOCATIONS)
- 16 SILL RESTRAINT 1" @ PIPE SEE FOUND FOR LOCATION
- 17 FINISH GRADE
- 18 EXTERIOR FINISH
- 19 PLYWOOD SUBFLOOR
- 20 MOD-LINE
- 21 FLOOR-JOIST
- 22 4"X12"X10 GA PLATE
- 23 6"X12"X10 GA PLATE
- 24 1/4" @ S T S TYP 4-PLACES
- 25 1/4" @ X3" LG LAG SCREW TYP 4-PLACES
- 26 5/8" @ X4" LAGS (FOR LOCATION SEE PLAN)

AGENCY TRACKING NO. 63321-201
FILE NO. 15-6

IDENTIFICATION STAMP
DIV. OF THE STATE ARCHITECT
OFFICE OF REGULATION SERVICES
03-117283
AC FLS SS PCC
DATE SEP 13 2016

STATE ARCHITECT
OFFICE OF REGULATION SERVICES
06 10 25 50
AC FLS SS JP
DATE SEP 09 2016

FOUNDATION LUMBER TO BE PRE-CUT AT FACTORY LUMBER GRADES & PRESSURE TREATING TO BE VERIFIED BY THE IN-PLANT INSPECTOR
4012-099

REV	DESCRIPTION

ELECTRICAL

MECHANICAL

STRUCTURAL

ARCHITECT

DIVISION OF THE STATE ARCHITECT
REVISED
IDENTIFICATION STAMP
DIV. OF THE STATE ARCHITECT
OFFICE OF REGULATION SERVICES
PC-275
AC FLS SS PCC
DATE 7-19-16

MODTECH INC.
2830 BARRETT AVE
PERRIS, CA 92572
PH. (909) 943-4014
FX. (909) 940-0427

CONFIDENTIAL - THIS DOCUMENT AND THE INFORMATION CONTAINED HEREIN ARE THE PROPERTY OF MODTECH INC. UNAUTHORIZED COPIES OR DISSEMINATION OF THIS DOCUMENT OR ITS CONTENTS ARE PROHIBITED.

JOB NO	3278-1
DRAWN BY	
DATE	9/9/16
CHECKED BY	
DATE	

FOUNDATION DETAILS

F3.0