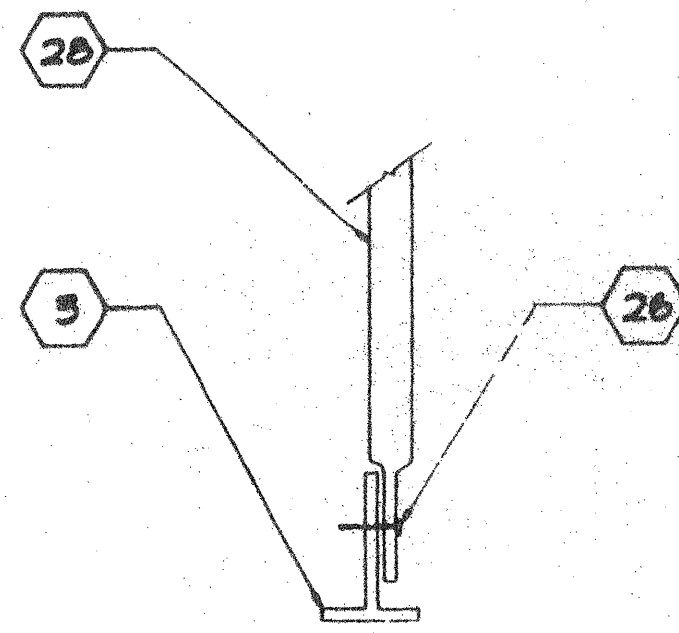


ALTERNATE

TYPICAL FIXED SIDE

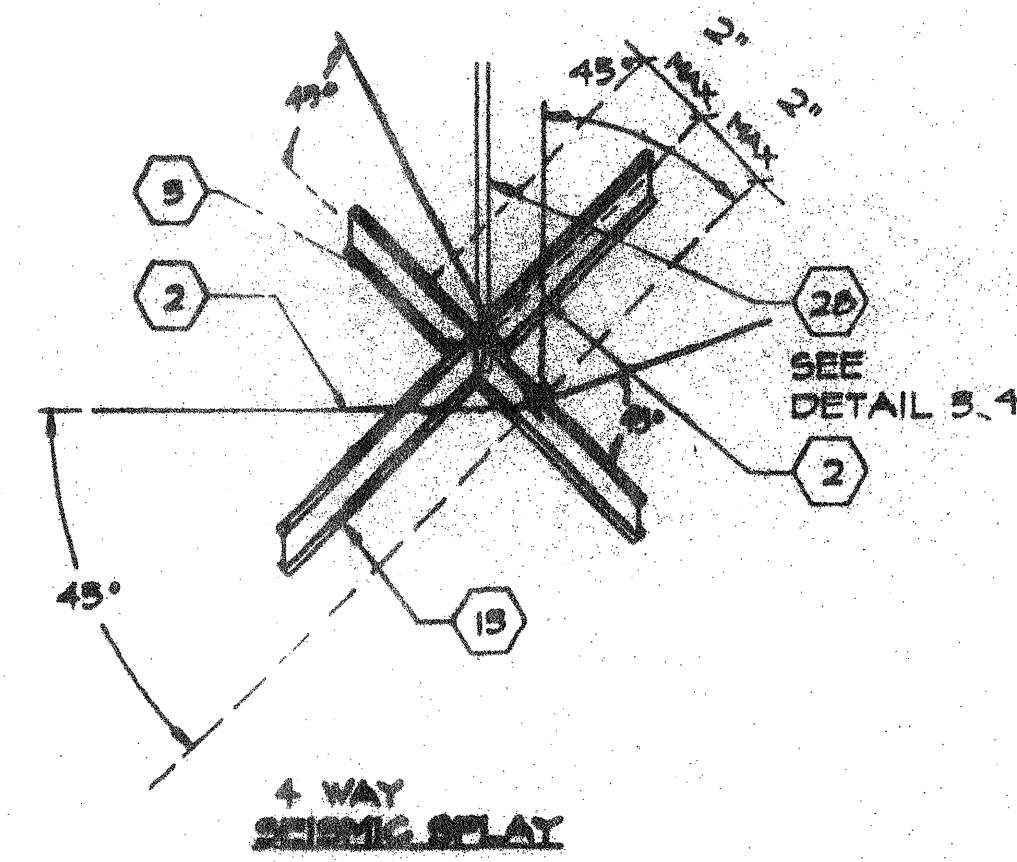
7



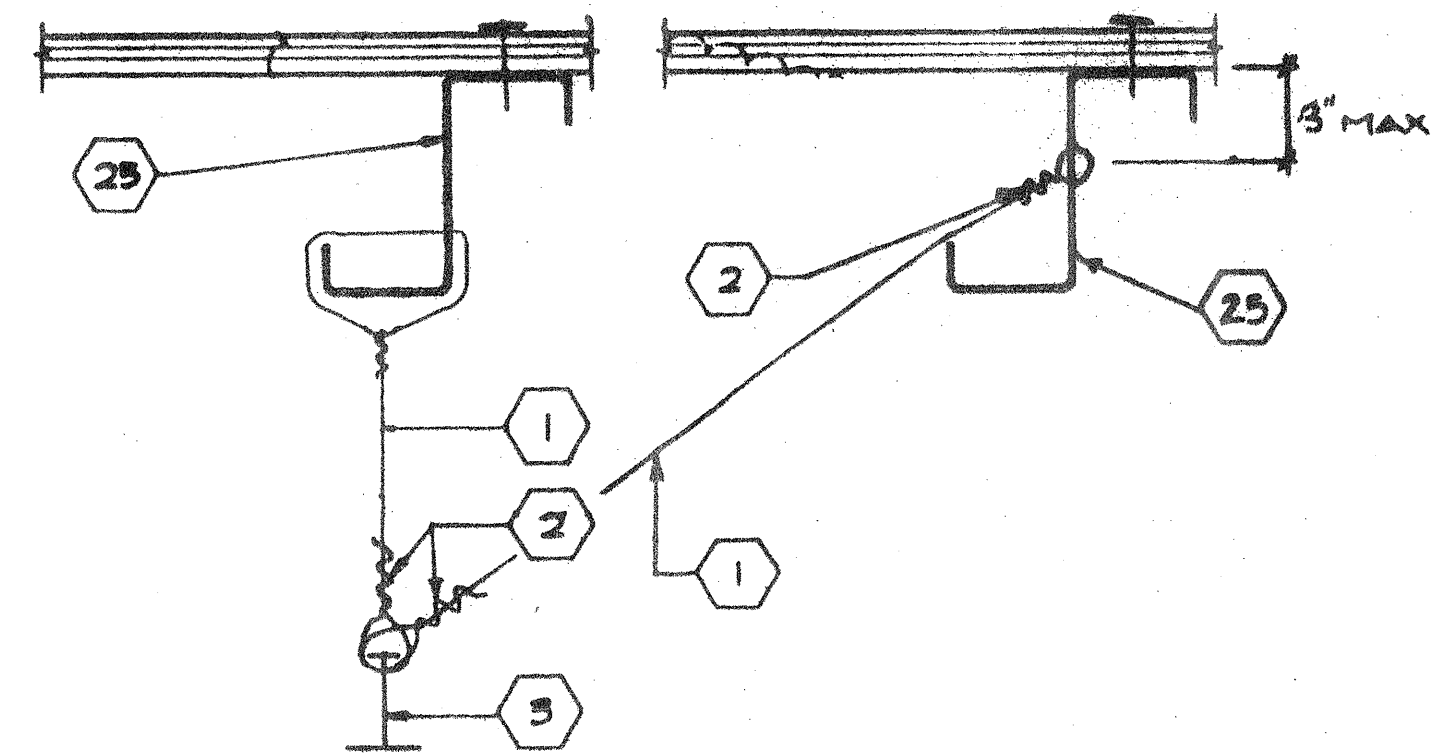
NOTE: CONDUIT MAY BE CRIMPED ON EITHER SIDE OF T-BAR, DEPENDING UPON CONDITION & LOCATION

ALT. CONN. @ BOTTOM

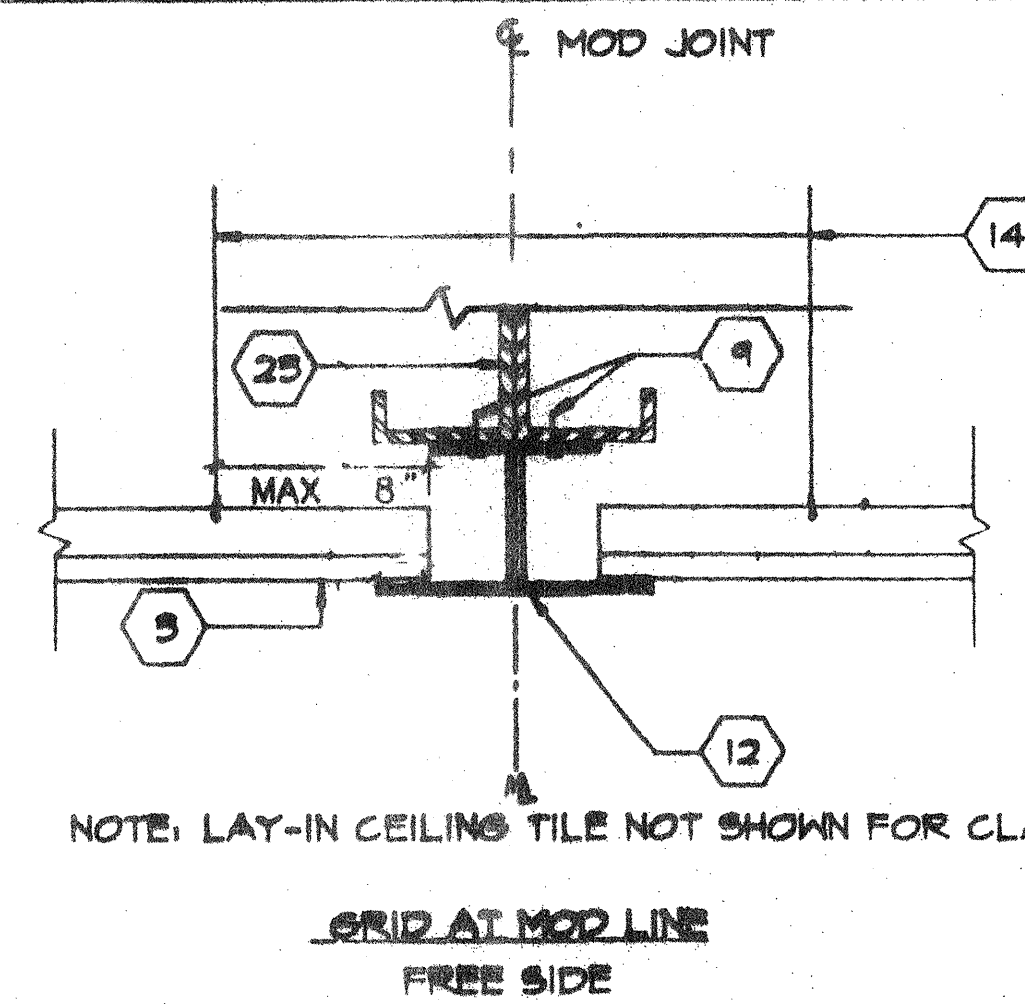
4



1



5

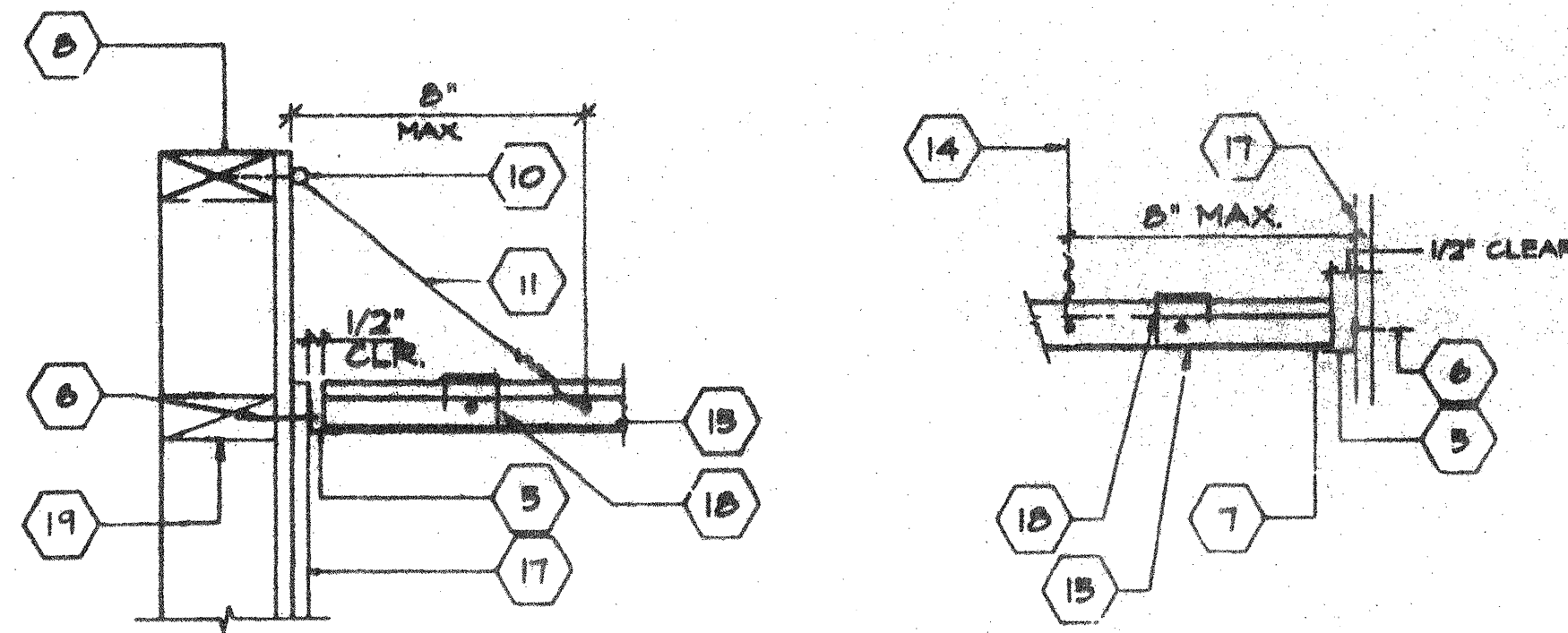


NOTE: LAY-IN CEILING TILE NOT SHOWN FOR CLARITY

GRID AT MOD LINE
FREE SIDE

SCALE 3/8\"/>

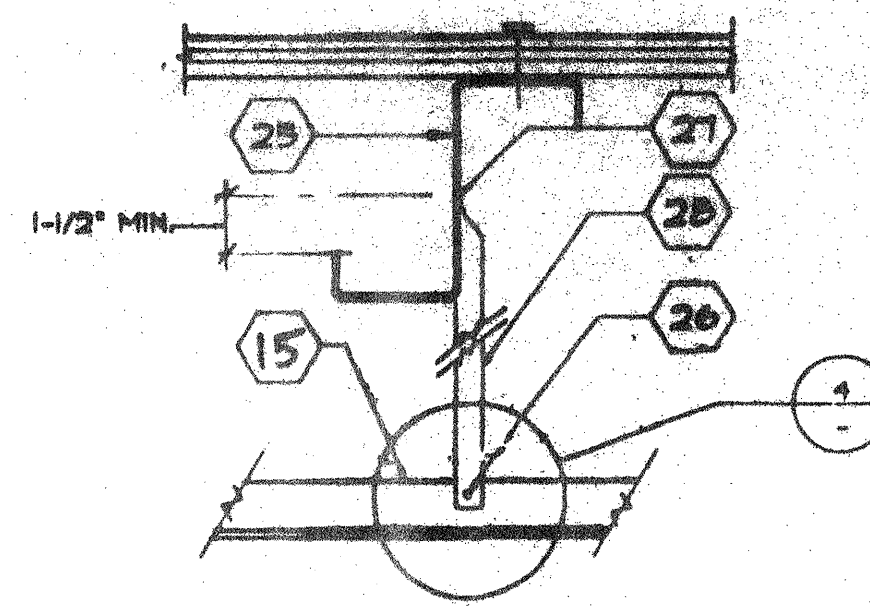
2



ALTERNATE

TYPICAL FREE SIDE

6



NOTE: CONDUIT MAY BE CRIMPED ON EITHER SIDE OF T-BAR DEPENDING UPON CONDITION & LOCATION

3

KEY NOTES

- 1 12GA HANGER WIRE IN PUNCHED OR DRILLED HOLE
- 2 12GA WIRE WITH 4 WRAPS IN 1 1/2\"/>
- 3 MAIN RUNNER
- 4 1/8\"/>
- 5 WALL ANGLE
- 6 6d 16\"/>
- 7 ANGLE WITH 1/8\"/>
- 8 TOP PLATE
- 9 #10 ST.S.M.S @ 4' OC
- 10 3\"/>
- 11 HANGER TO WALL WHERE NO RAFTER ABOVE
MAX SLOPE 1\"/>
- 12 28GA JETCOAT
- 13 CROSS TEE
- 14 12GA HANGER WIRE AT THE END ON EACH RUNNER
MIN 4 WRAPS IN MAX 1 1/2\"/>
- 15 MAIN RUNNERS OR CROSS TEES
- 16 ACOUSTICAL BOARD
- 17 FINISH WALL
- 18 HORIZONTAL STRUTS SHALL RUN CONTINUOUS AT ALL PERIMETERS, NOT POP RIVETED TO THE WALL ANGLE
USE 60 RING SHANK NAIL TO EA TEE
- 19 NOT USED
- 20 NOT USED
- 21 PROVIDE SPACE AT ALL MEMBERS AT OPPOSITE WALL
- 22 NOT USED
- 23 ROOF BEAM **STK**
- 24 NOT USED
- 25 ROOF FURLIN **STK**
- 26 CRIMP CONDUIT AND ATTACH TO T-BAR GRID W/2 TEKSCREWS
- 27 CRIMP CONDUIT TO RAFTER W/2-#8 TEKSCREW
- 28 3/4\"/>
- 29 NOT USED

REGISTRATION STAMP
DIV. OF THE STATE ARCHITECT
OFFICE OF REGULATION SERVICES
DATE: 10 15 55
BY: [Signature]
DATE: SEP 09 1999

4012-094

ARCHITECT

ELECTRICAL

STRUCTURAL

MECHANICAL

FIRE MARSHAL

AGENCY TRACKING NO. 63321-201
FILE NO. 15-6

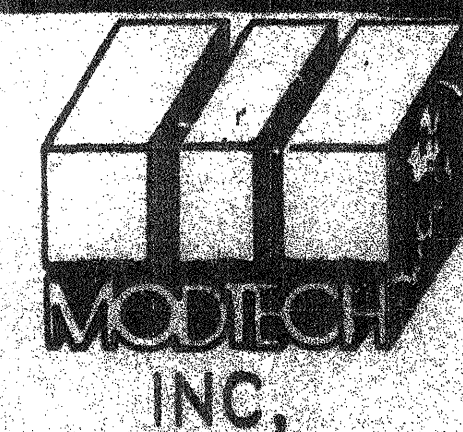
IDENTIFICATION STAMP
DIV. OF THE STATE ARCHITECT
OFFICE OF REGULATION SERVICES

03-117283

AC: [Signature] FLS: [Signature] SS: [Signature]
DATE: SEP 13 2016

STRUCTURAL SAFETY

REGISTRATION STAMP
DIV. OF THE STATE ARCHITECT
OFFICE OF REGULATION SERVICES
DATE: 08 19 1996



3278

REFLECTED CEILING DETAILS

DRAWN BY
DATE: 9/9/99
CHECKED BY
DATE

A7.2

