

SEAL
 COPYRIGHT: Any reproduction or distribution for any purpose other than authorized by IBI Group is forbidden.
 COPYRIGHT 2014 IBI GROUP

REVISIONS			
NO.	DATE	APPRD.	DESCRIPTION

CONSULTANT
JMPE
 ELECTRICAL ENGINEERING
 LIGHTING DESIGN
 CA REGISTRATION NO. E13083
 16136
 5500 MING AVENUE, SUITE 851, BAKERSFIELD, CA 93309
 (805) 831-7953 FAX (805) 831-7913
 email: maloney@jmpe.net www.jmpe.net

AGENCY INFORMATION:
 AGENCY TRACKING NO. 63321-212
 FILE NO. 15-6
 IDENTIFICATION STAMP
 DIV. OF THE STATE ARCHITECT
 OFFICE OF REGULATION SERVICES
 OS-117283
 AC / FLS
 DATE SEP 13 2016

BAKERSFIELD CITY SCHOOL DISTRICT

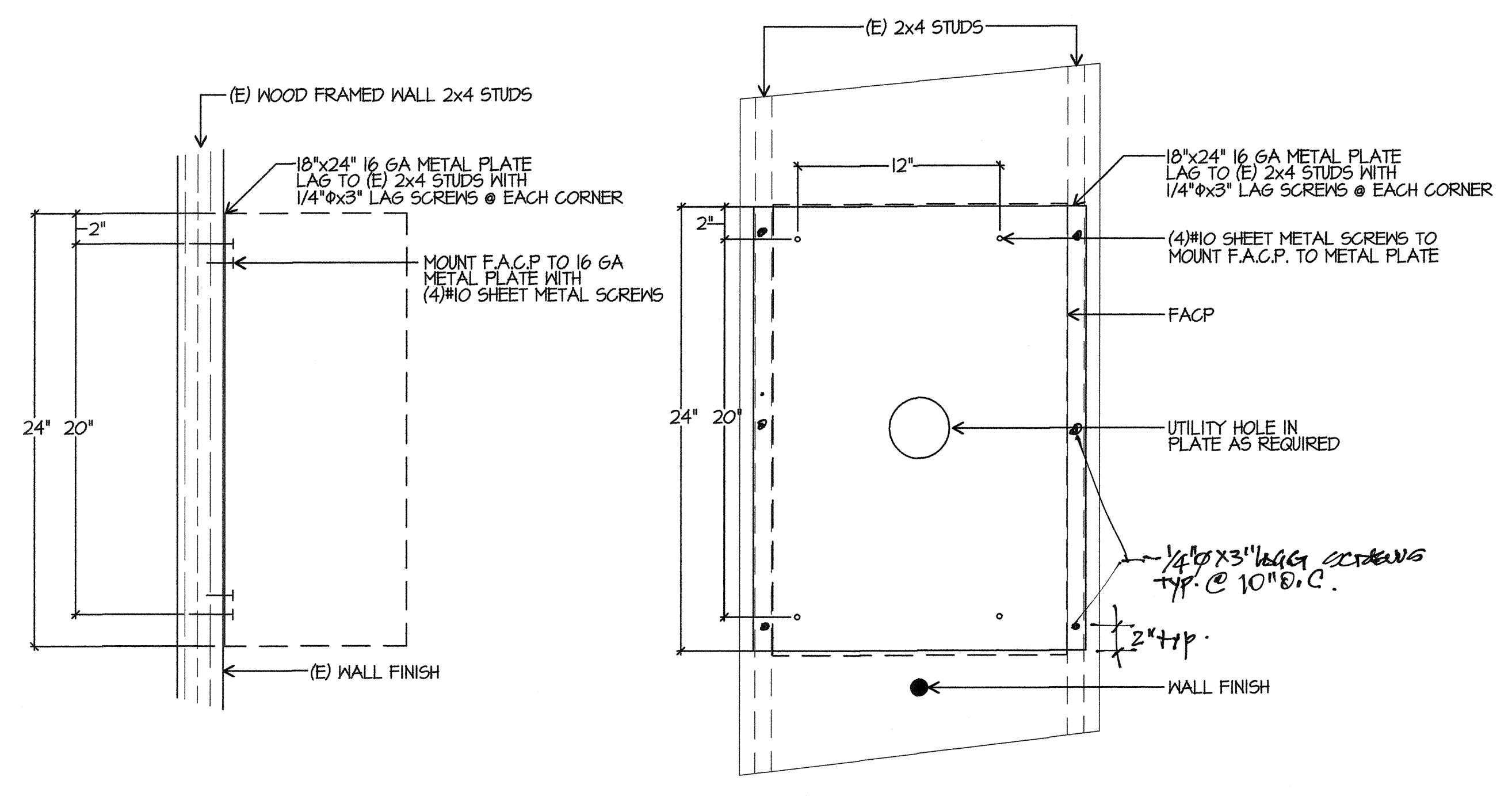
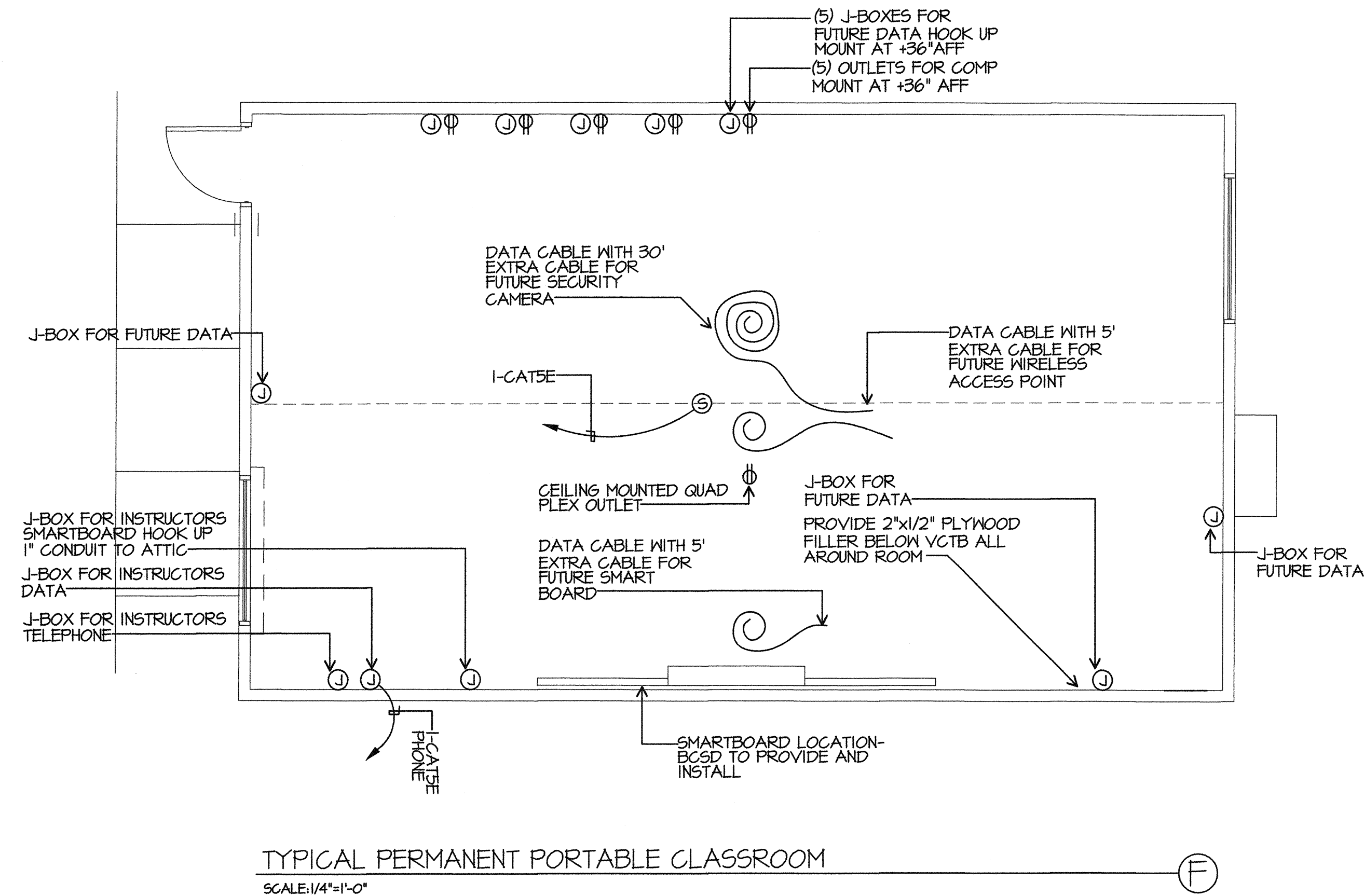
CHIPMAN JR. HIGH RELOCATABLES R-6 & R-7
 2905 EISSLER ST
 BAKERSFIELD, CA 93306

OPSC or OSHPD PROJ. NO.:	
PROJECT NO.:	16132.000
DRAWN BY:	AC
CHK'D BY:	WR
ISSUE DATE:	08/22/2016

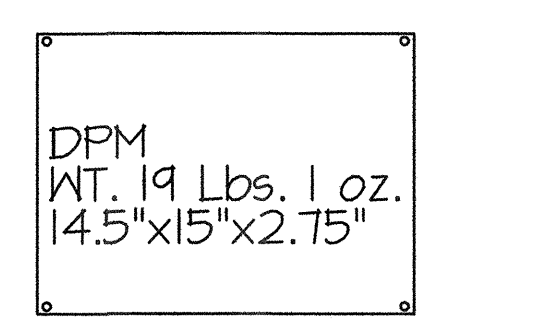
SHEET TITLE
DETAILS

SHEET NUMBER
E-0.3

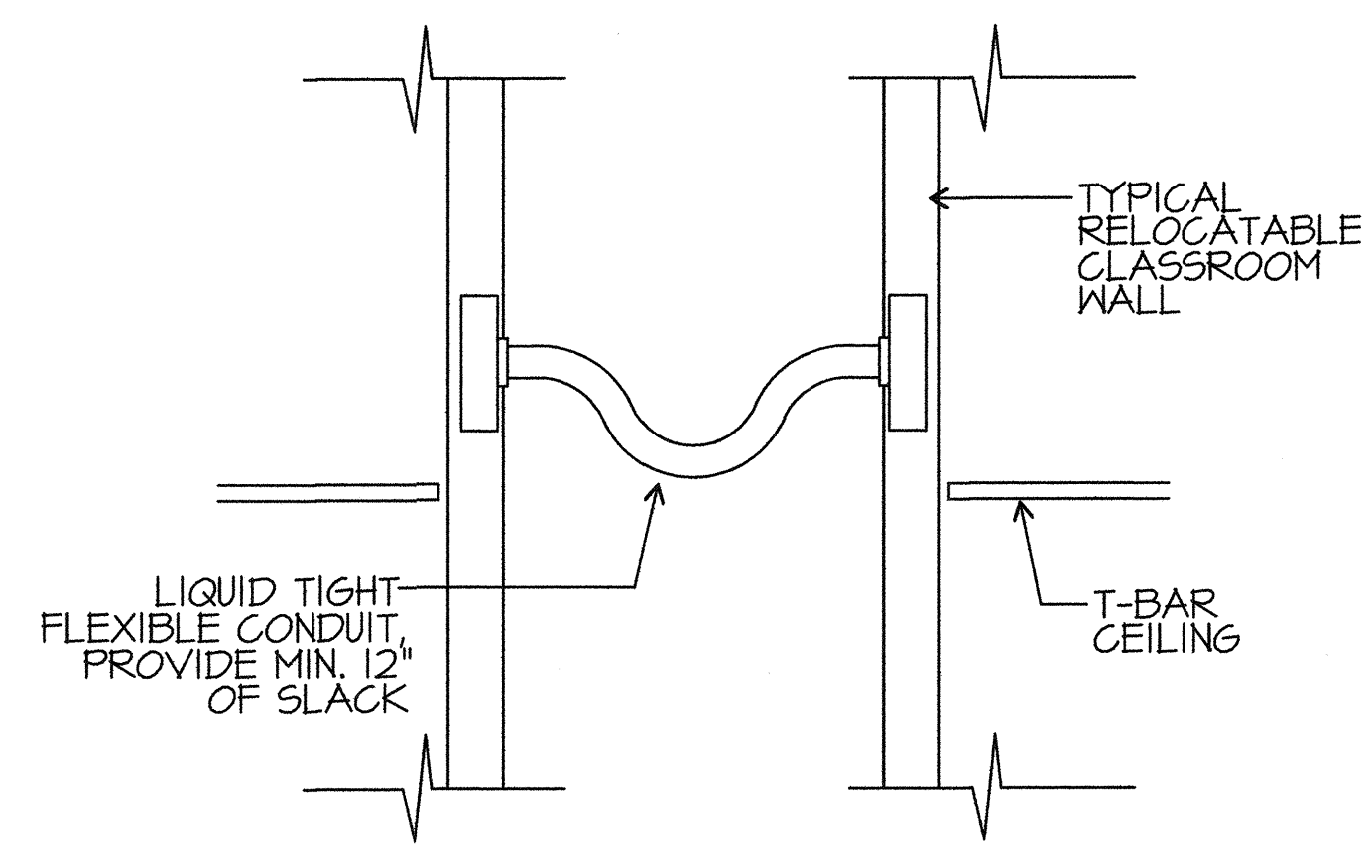
COORDINATE WORK INSIDE CLASSROOM WITH DISTRICT I.T. DEPARTMENT



F.A.C.P. ATTACHMENT MOUNTING DETAIL, WOOD
 SCALE: NONE



DPM ATTACHMENT
 SCALE: NONE



FLEXIBLE CONDUIT DETAIL
 SCALE: NO SCALE