

Architectural details notes

1. EXTERIOR PLYWOOD SIDING/SHEATHING- NAIL WITH CORROSION RESISTANT 8d BOX NAILS @ 6" O.C. BOUNDARY AND EDGES, AND 12" O.C. FIELD. SEE NOTE 1:1 FOR EXTERIOR MATERIAL.
2. TYP. INTERIOR FINISH- SEE NOTE 2:1 FOR MATERIAL
3. STEEL TUBE COLUMN- SEE NOTE 9:5
4. SEALANT
5. 'HILTI' DMS7-PB @ 24" O.C.
6. 2x4 TRIMMER
7. 2x4 FULL HEIGHT STUDS
8. 2x4 TOP PLATE
9. 2x4 BOTTOM PLATE
10. ROOF BRIGHTHING- SEE NOTES 1:5 AND 1:6
11. FLOOR SHEATHING- SEE NOTES 2:5 AND 2:6
12. GALVANIZED METAL FLASHING
13. 16d BOX NAILS @ 12" O.C.
14. 16d BOX NAILS @ 8" O.C.
15. STEEL FLOOR CHANNEL- SEE NOTE 5:5
16. NOT USED
17. HOLLOW METAL DOOR FRAME- 16 GA. STEEL WRAP-AROUND TYPE.
18. METAL DOOR
19. 2x6 GA. CLOSE OFF FLASHING @ ENDS OF ROOF. DETAIL 'A' IS BUTTER FLASHING AND OCCURS AT REAR (LOW END) OF BUILDING. DETAIL 'B' IS ROOF CLOSE-OFF FLASHING AND OCCURS AT FRONT (HIGH) END. ATTACH TO ROOFING WITH #14 SELF TAP SCREWS.
20. HEADER- (1) 4x4 NAILED @ 16" O.C. WITH 16d BOX NAILS.
21. DOOR BOTTOM WITH WEATHERSTRIP
22. ALUMINUM THRESHOLD
23. WALL MOUNTED A/C
24. 4x4 D.F. POST
25. 2x6 BLOCK BETWEEN STUDS. ATTACH TO STUDS WITH (2) 16d BOX NAILS EACH END OF BLOCK INTO STUD.
26. 1-1/2"x 1-1/2"x 16 GA. x 18" MOUNTING BRACKET
27. 11 GA. x 24" LONG STEEL BOTTOM BRACKET
28. (6) #10 SELF TAP PLATED OR GALVANIZED SHEET METAL SCREWS
29. 3/8" DIA. x 2-1/2" LAG BOLTS- ONLY AS INDICATED
30. 2x3 SPACER- ATTACH TO STEEL COLUMN WITH 'HILTI' DMS2-PB @ 24" O.C. PRIOR TO INSTALLATION OF SIDEWALL.
31. GALVANIZED METAL 2" FLASHING
32. 2x4 FLAT BLOCK BETWEEN STUDS @ HORIZONTAL PANEL SPLICE. ATTACH BLOCK TO STUDS WITH (2) 16d BOX NAILS EACH END OF BLOCK INTO STUD.
33. FLOOR JOIST - SEE SHEET 5.
34. (2) 2x4 STUDS NAILED TOGETHER WITH 16d BOX NAILS STAGGERED @ 16" O.C. OR 4x4 D.F. POST- TYPICAL @ PANEL JOINTS.
35. 1 x 4 TRIM
36. NOT USED
37. NOT USED
38. STEEL ROOF JOISTS- SEE NOTE 8:5
39. #10 x 2" SCREWS @ 24" O.C.
40. #14 x 4" PHILIPPS HEAD SCREW @ 16" O.C.
41. 2 x 6 BLOCKING BETWEEN STUDS- SEE DET. 5
42. CABINET CLEAT
43. #10 x 4" WOOD SCREW INTO STUDS @ 32" O.C. TOP EDGE. SCREWS SHALL BE CONCEALED WITH CORK STRIP.
44. CHALKBOARD- SEE NOTE 16:1.
45. VINYL WRAPPED CLOSE OFF BATT. ATTACH WITH #8 x 2-1/4" PAN HEAD WOOD SCREWS STAGGERED 24" O.C. AND (2) SCREWS TOP AND BOTTOM.

1:1 FOR EXTERIOR MATERIAL.

SEE NOTE 2:1 FOR MATERIAL

SEE NOTE 9:5

SEE NOTE 5:5

SEE NOTE 1:5 AND 1:6

SEE NOTES 2:5 AND 2:6

SEE NOTE 1:5

SEE NOTE 2:1

SEE NOTE 8:5

SEE NOTE 16:1

SEE NOTE 16:1

SEE NOTE 16:1

SEE NOTE 16:1

SEE NOTE 16:1

SEE NOTE 16:1

SEE NOTE 16:1

SEE NOTE 16:1

SEE NOTE 16:1

SEE NOTE 16:1

SEE NOTE 16:1

SEE NOTE 16:1

SEE NOTE 16:1

SEE NOTE 16:1

SEE NOTE 16:1

SEE NOTE 16:1

SEE NOTE 16:1

SEE NOTE 16:1

SEE NOTE 16:1

SEE NOTE 16:1

SEE NOTE 16:1

SEE NOTE 16:1

SEE NOTE 16:1

SEE NOTE 16:1

SEE NOTE 16:1

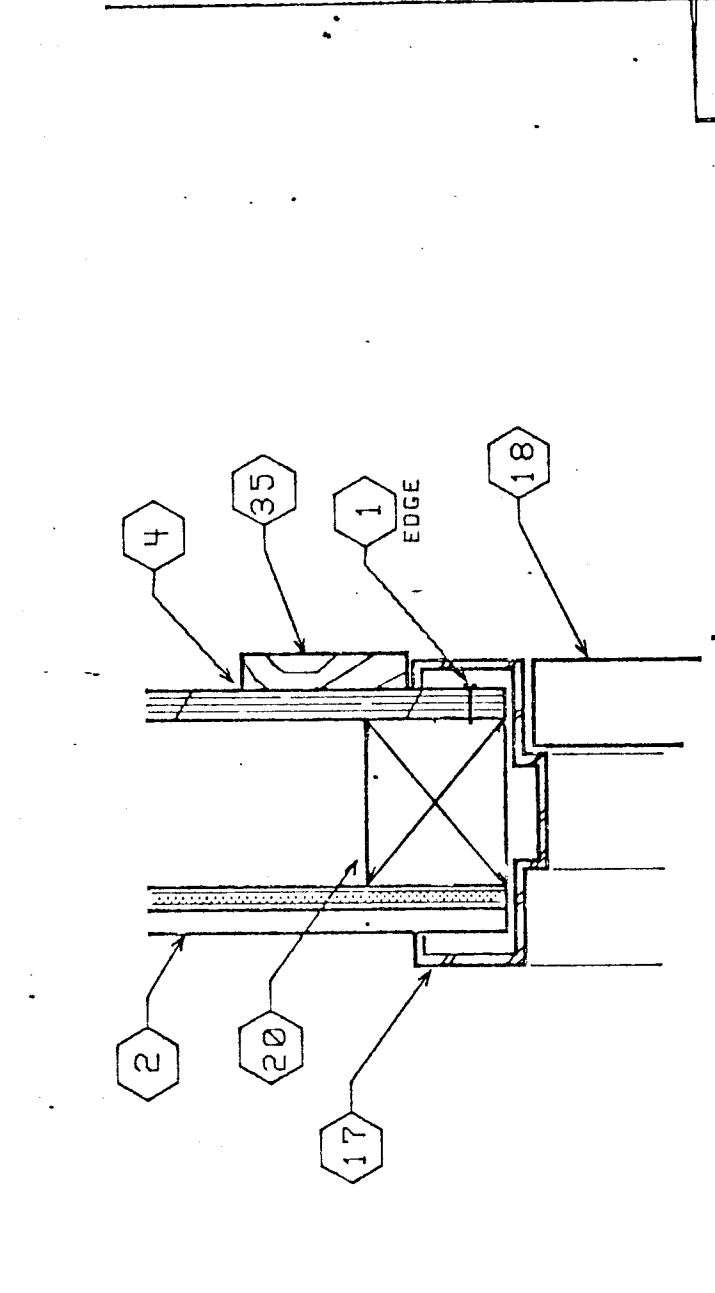
SEE NOTE 16:1

SEE NOTE 16:1

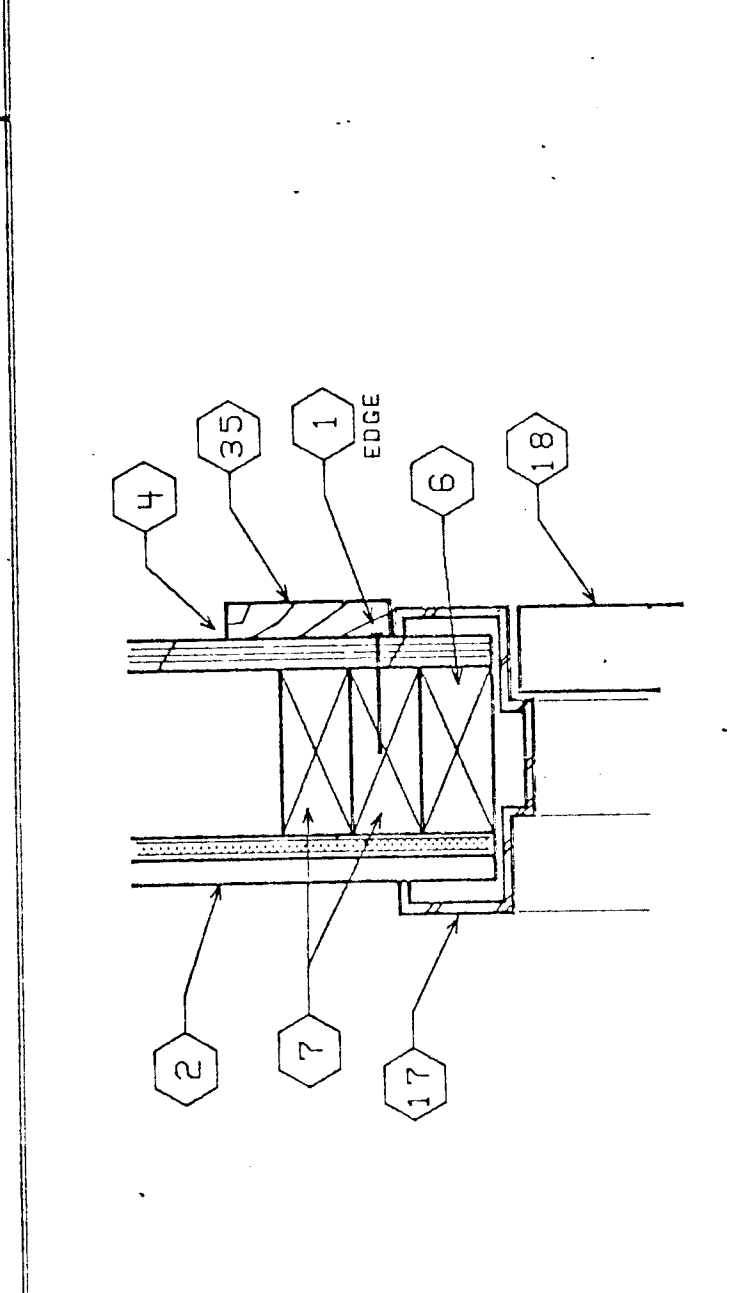
SEE NOTE 16:1

SEE NOTE 16:1

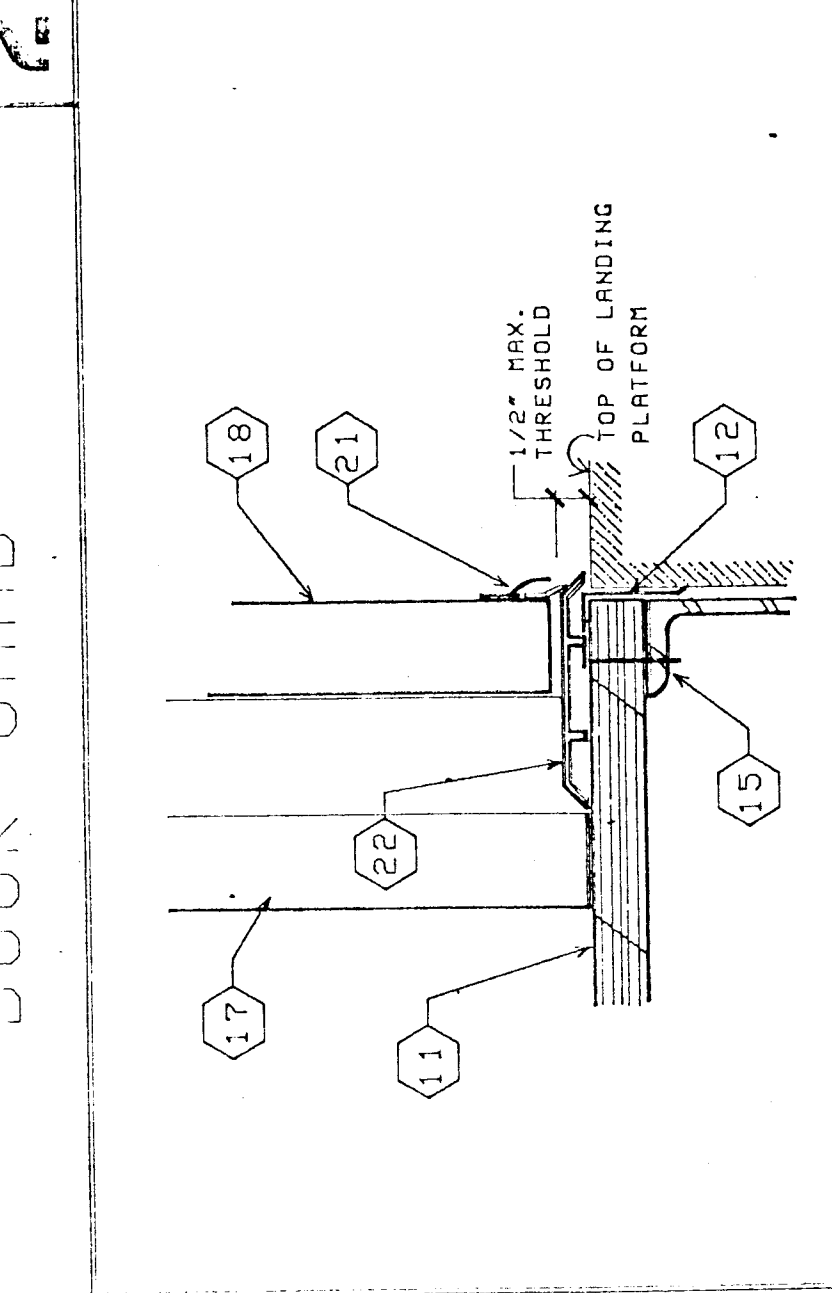
SEE NOTE 16:1



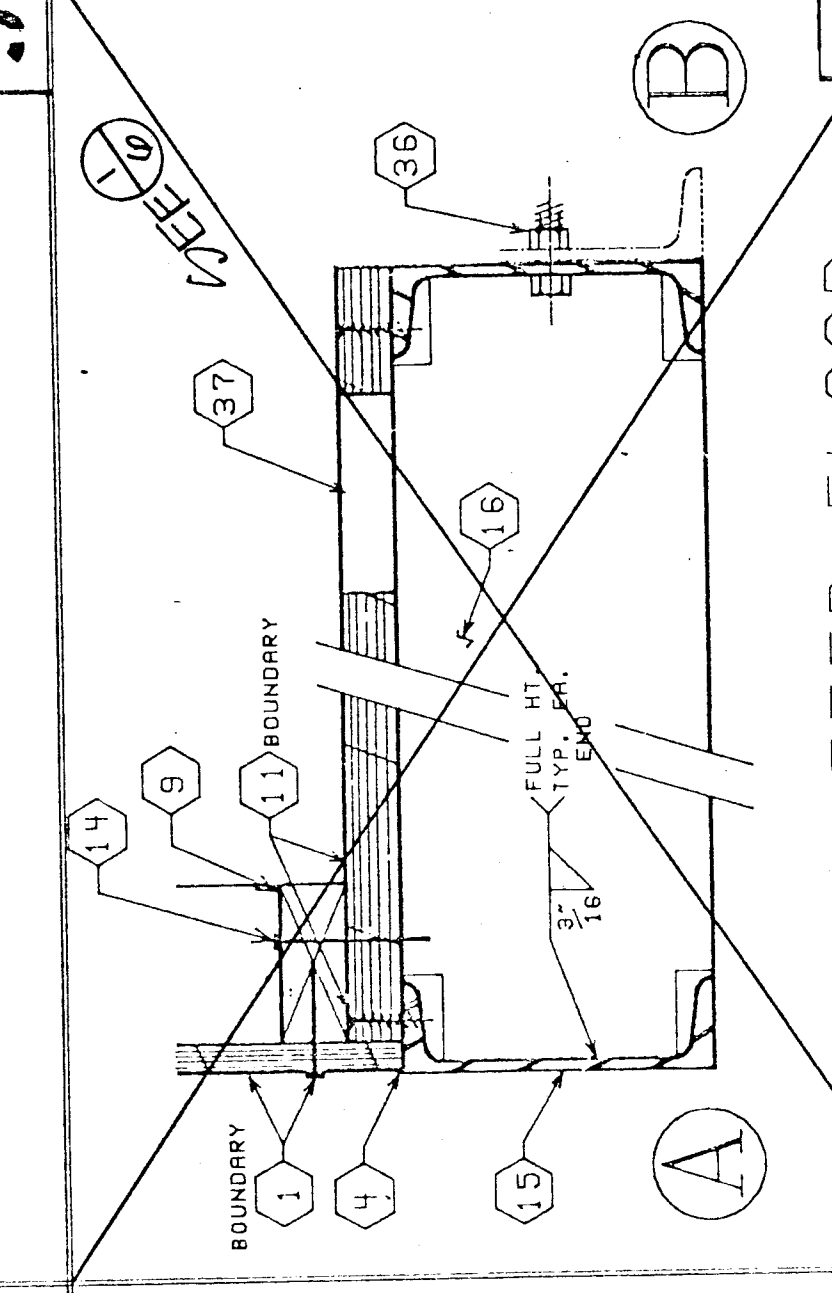
DOOR HEAD



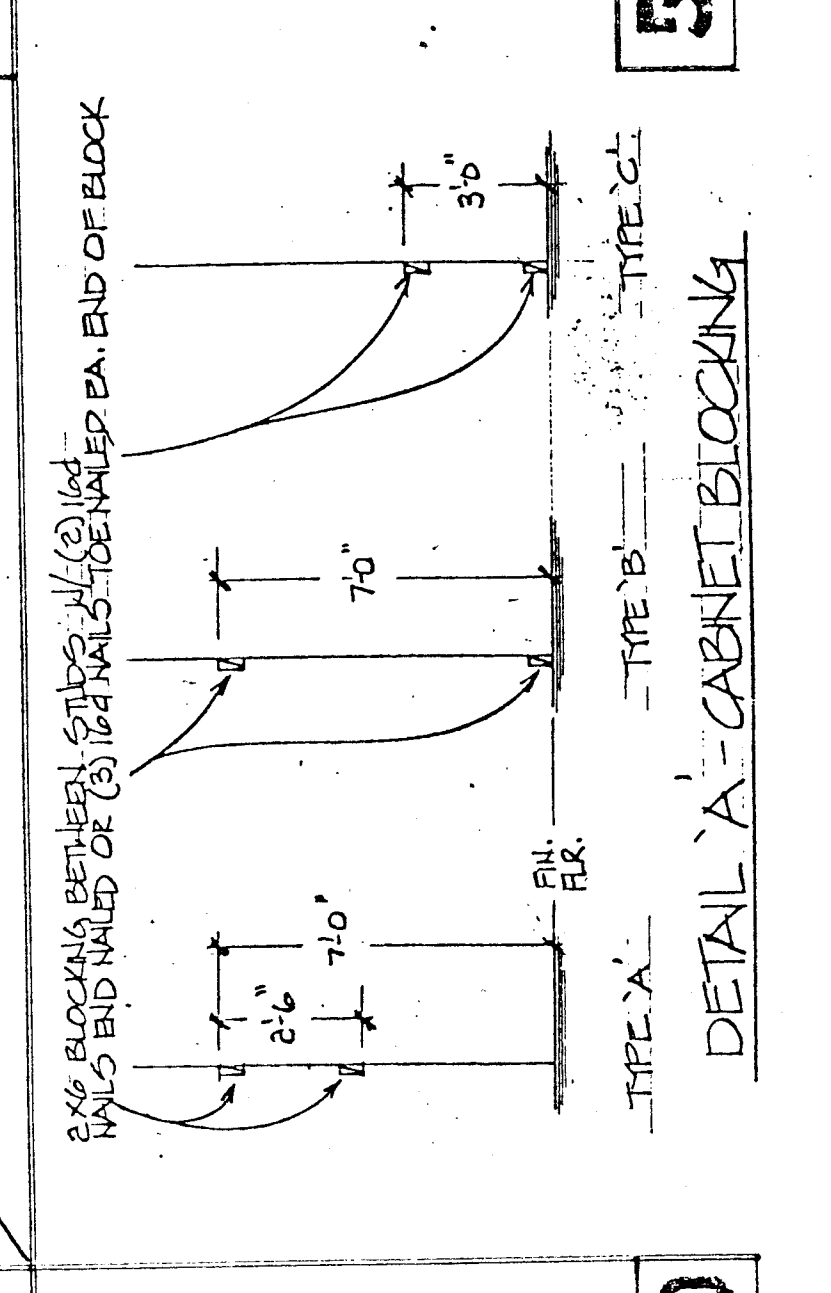
DOOR JAMB



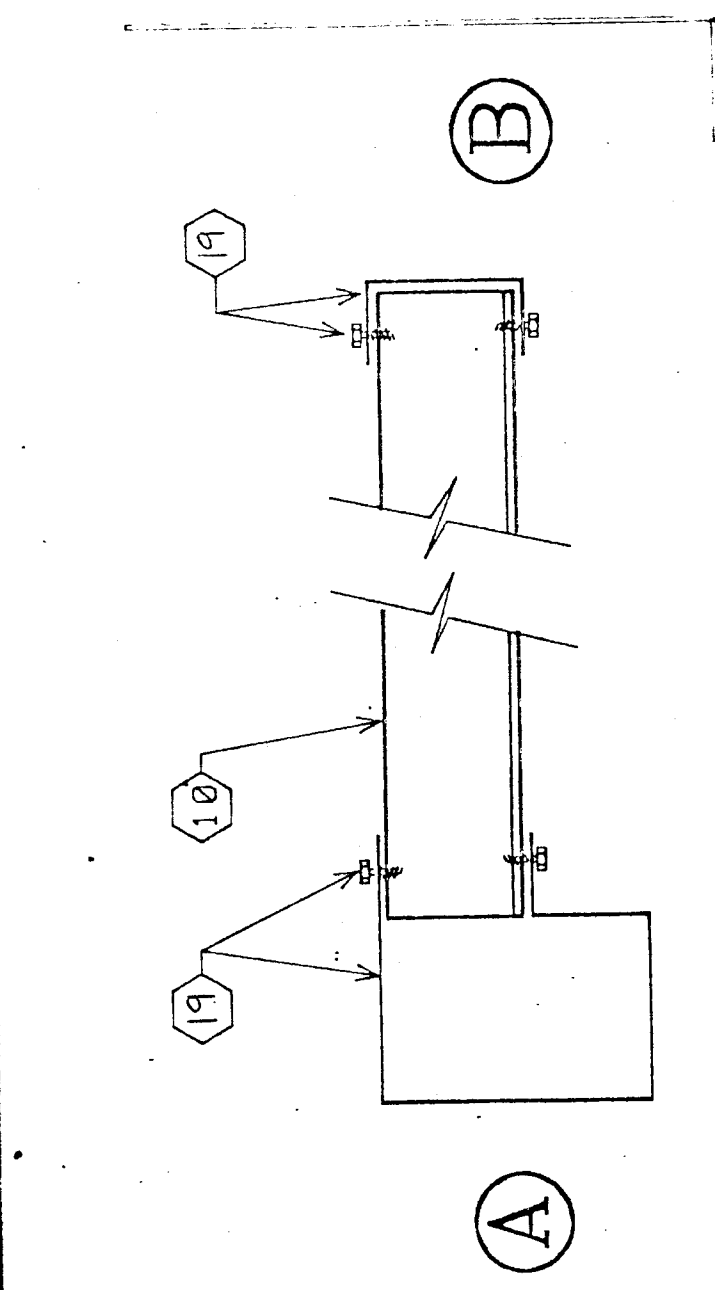
THRESHOLD



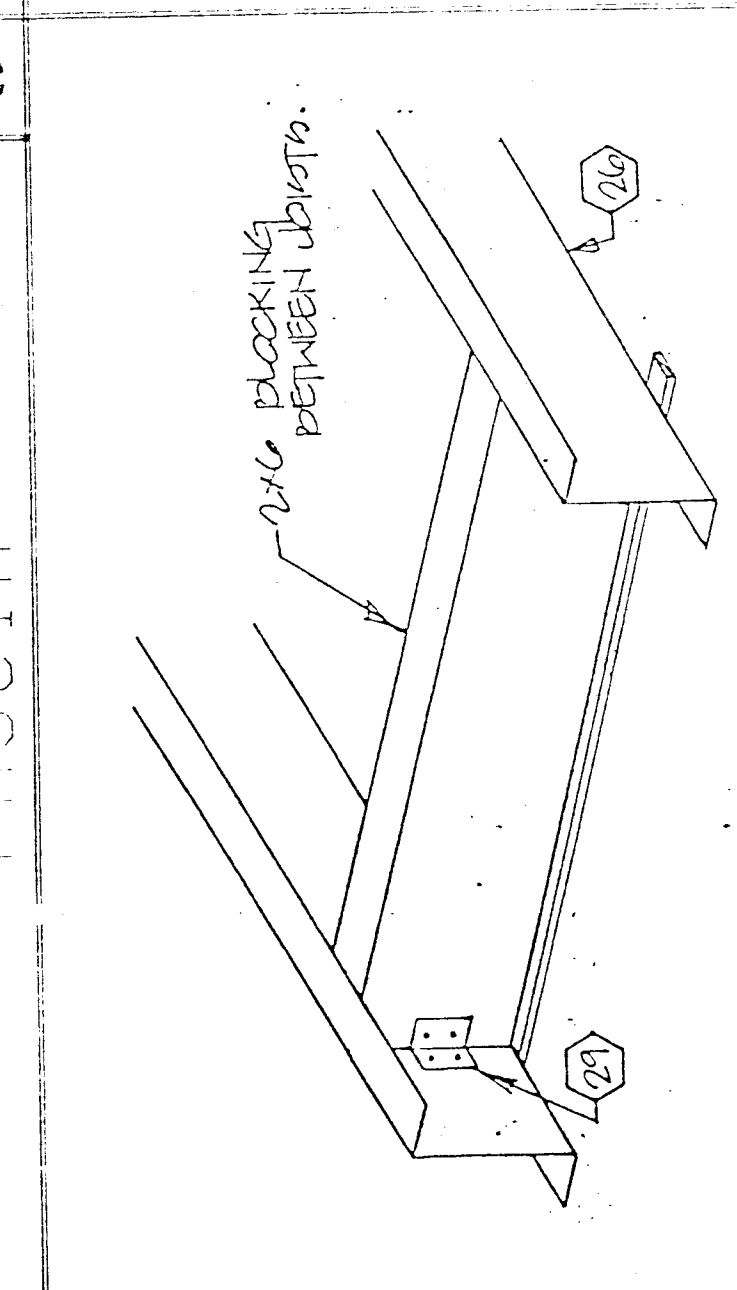
PERIMETER FLOOR



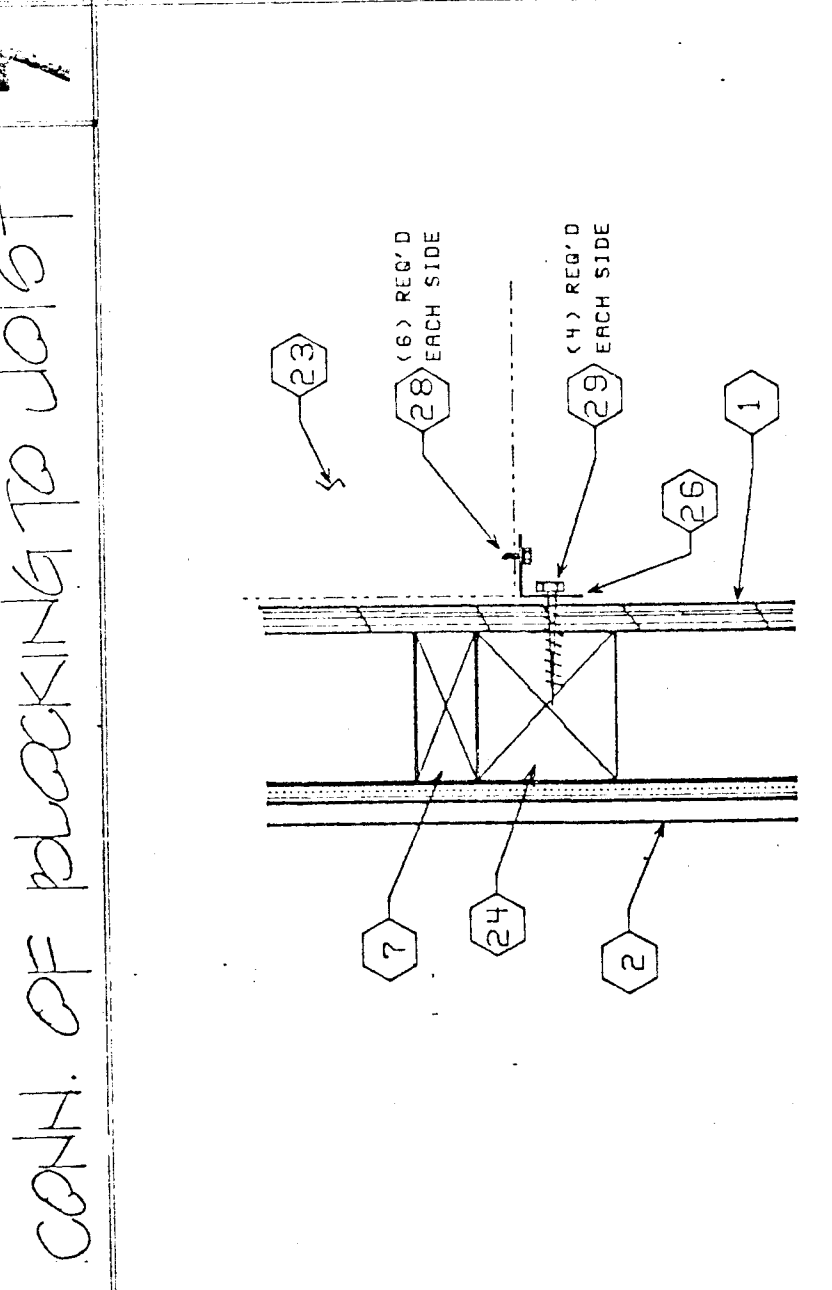
DETAIL A - CABINET BLOCKING



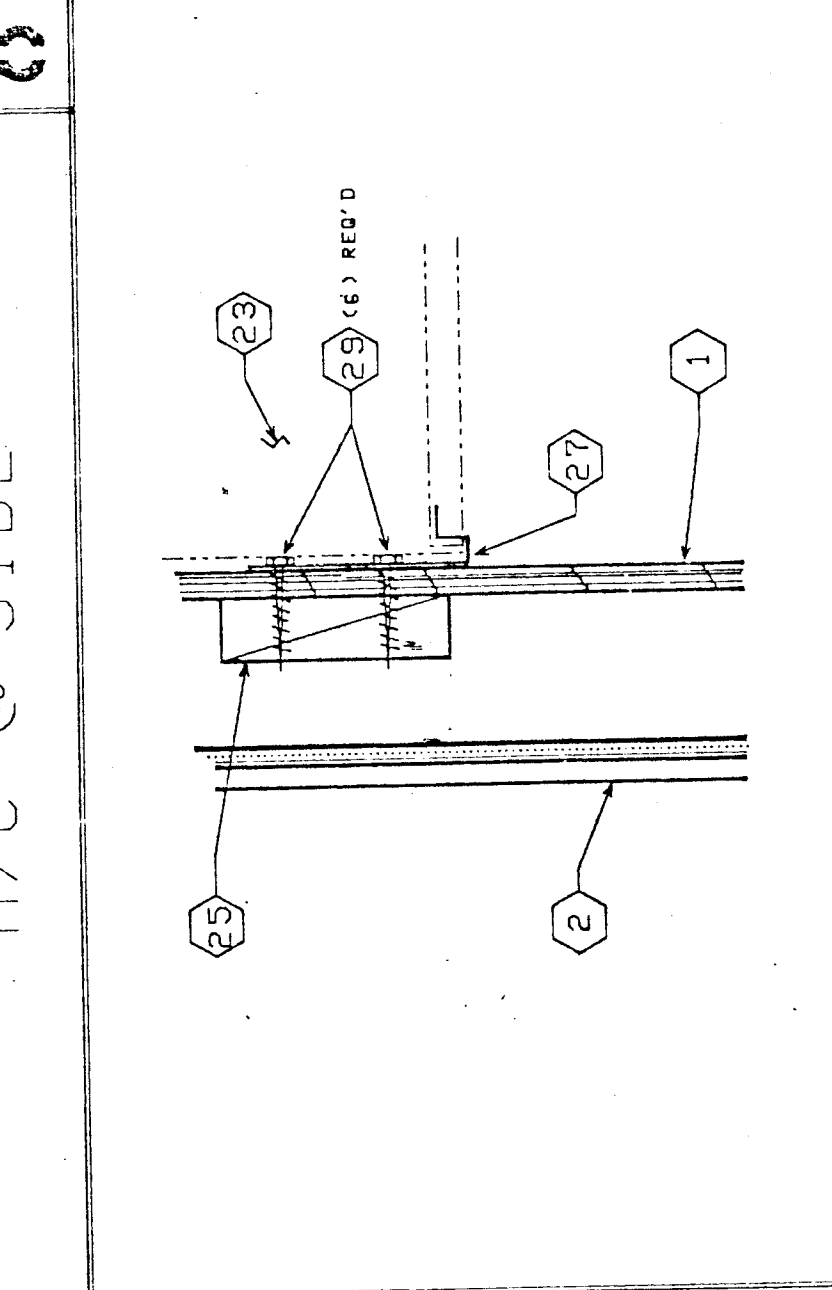
FASCIA



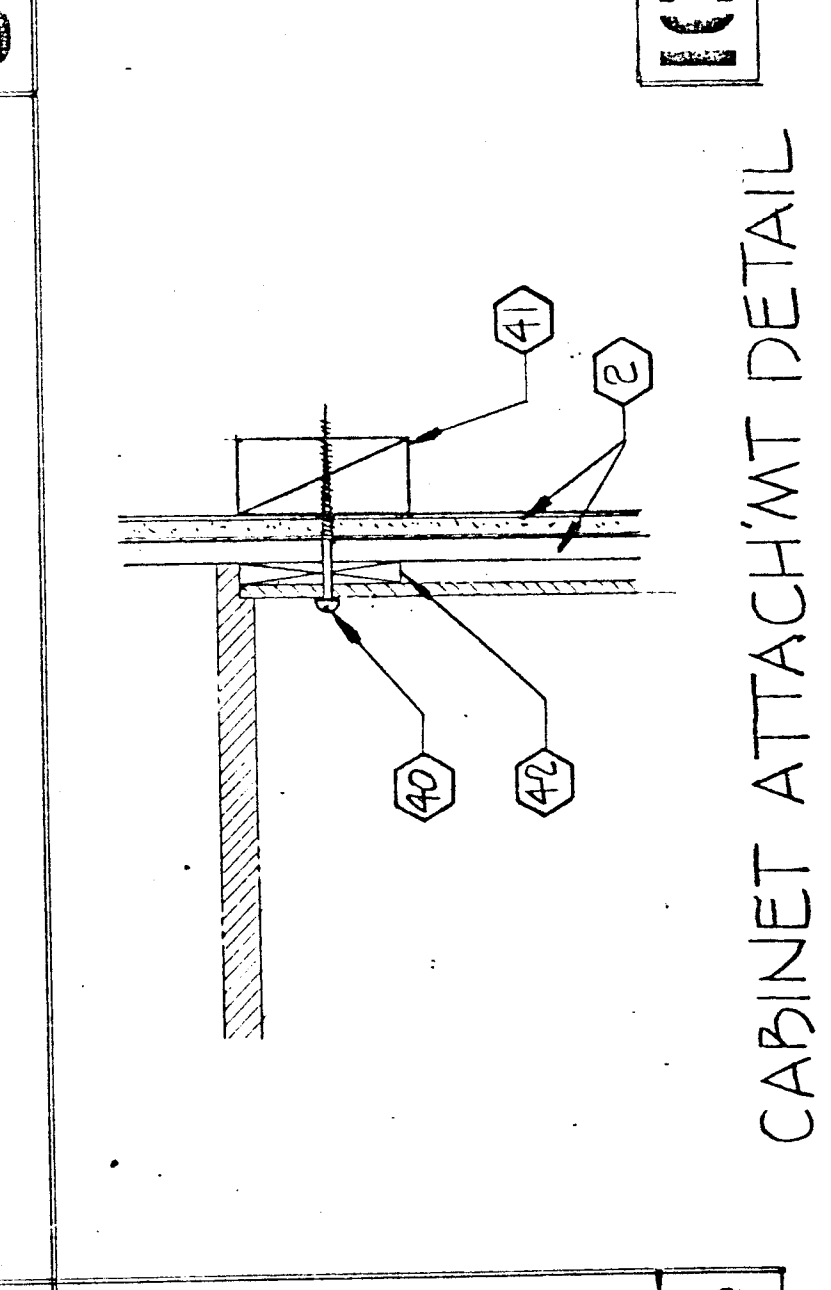
CONN. OF BLOCKING TO JOIST



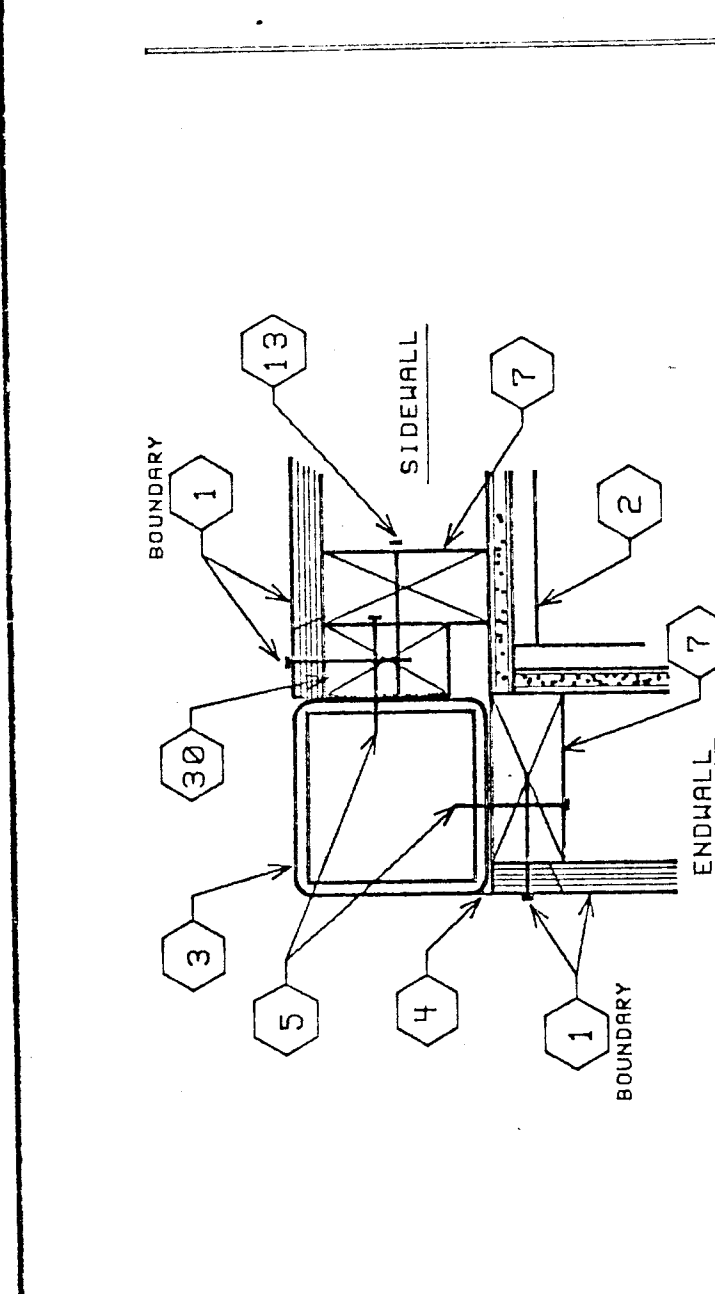
A/C @ SIDE



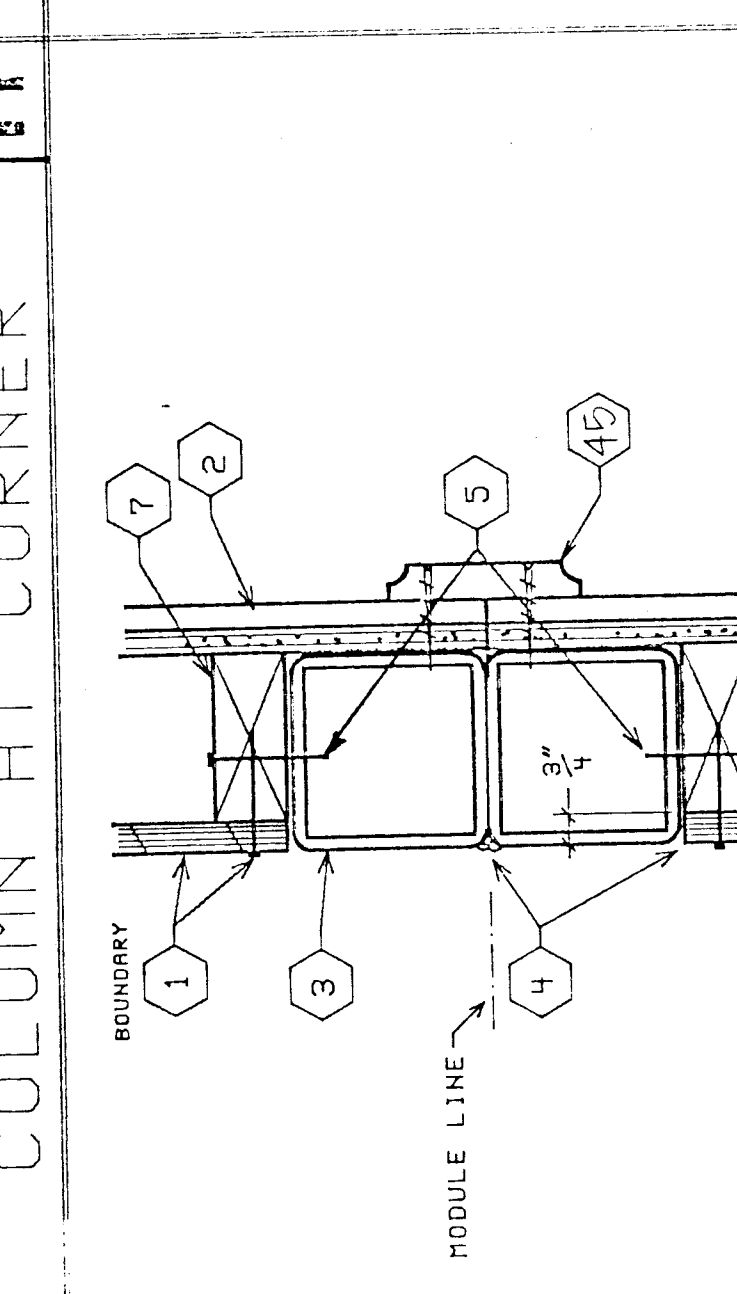
A/C @ BOTTOM



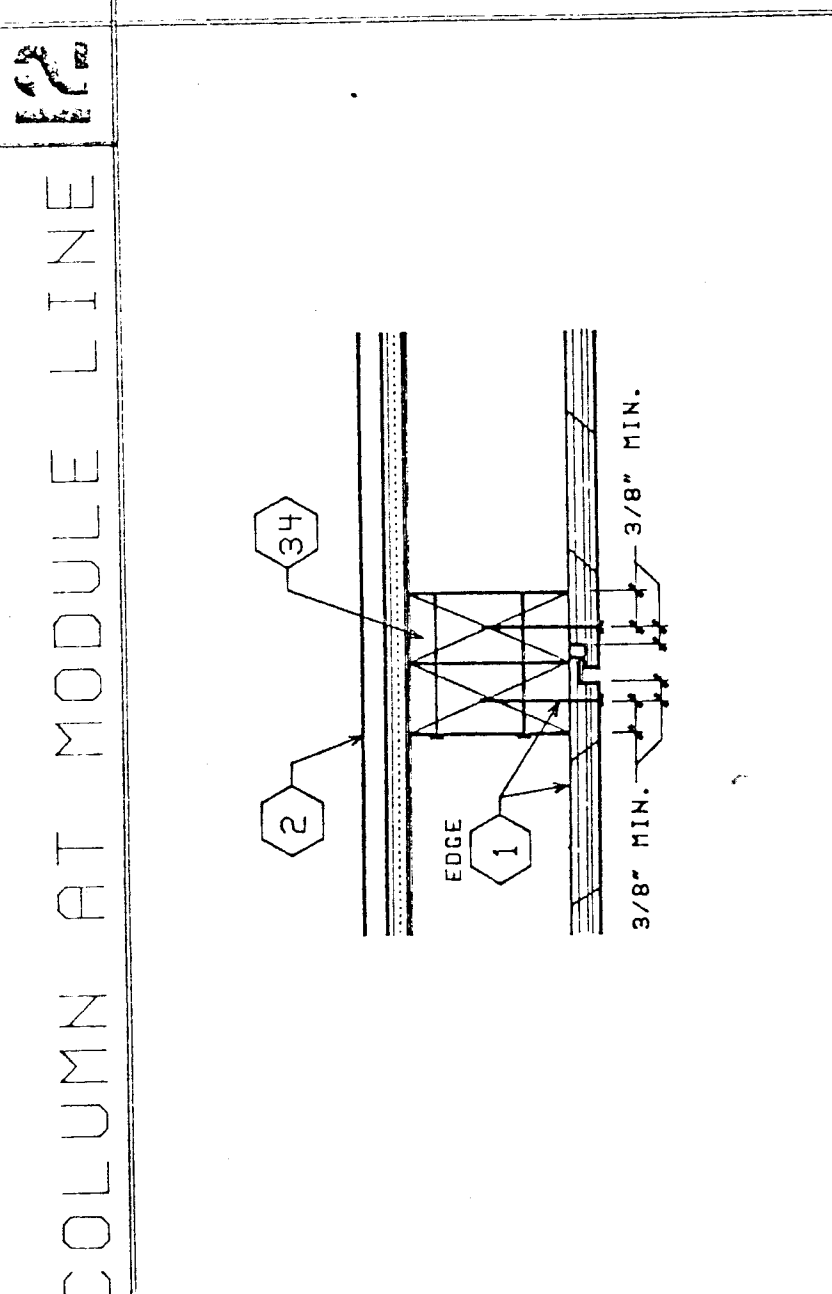
CABINET ATTACHMENT DETAIL



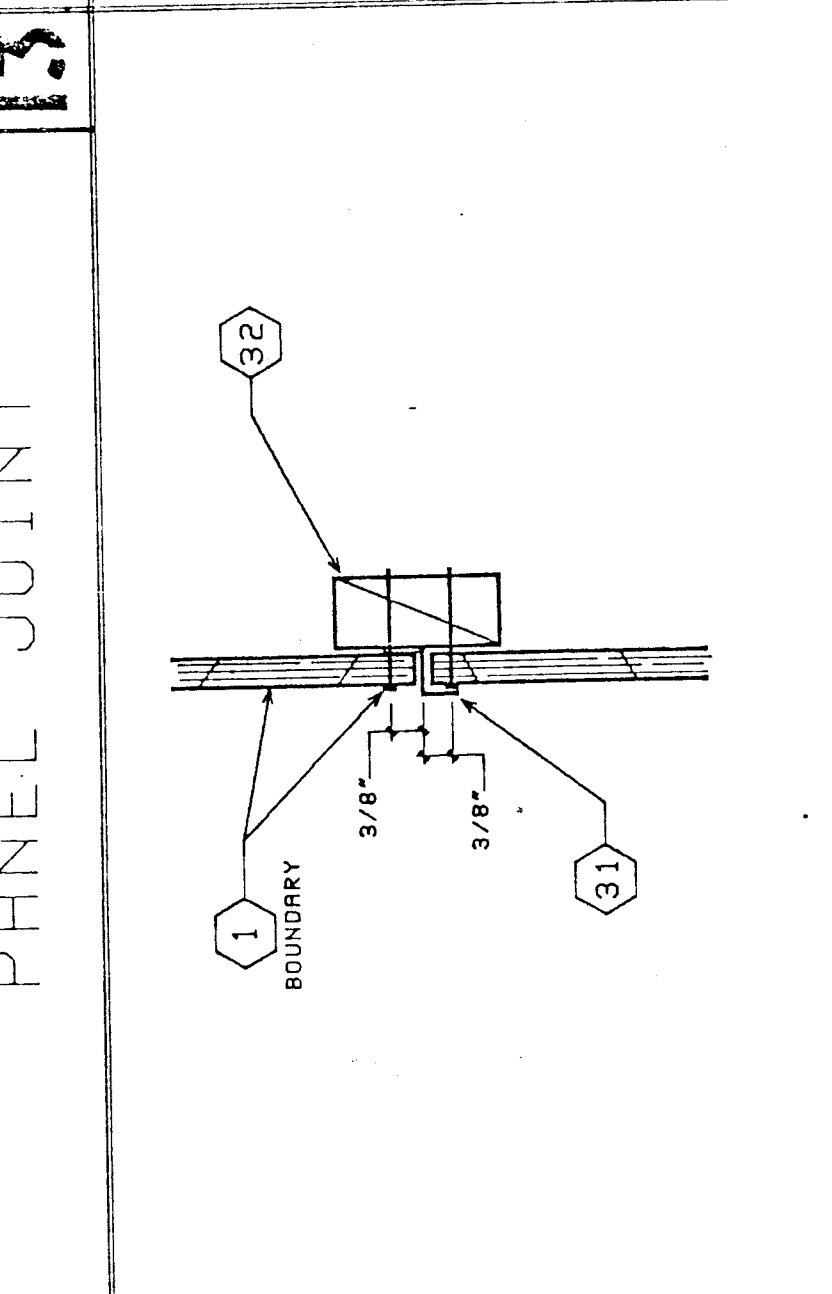
COLUMN AT CORNER



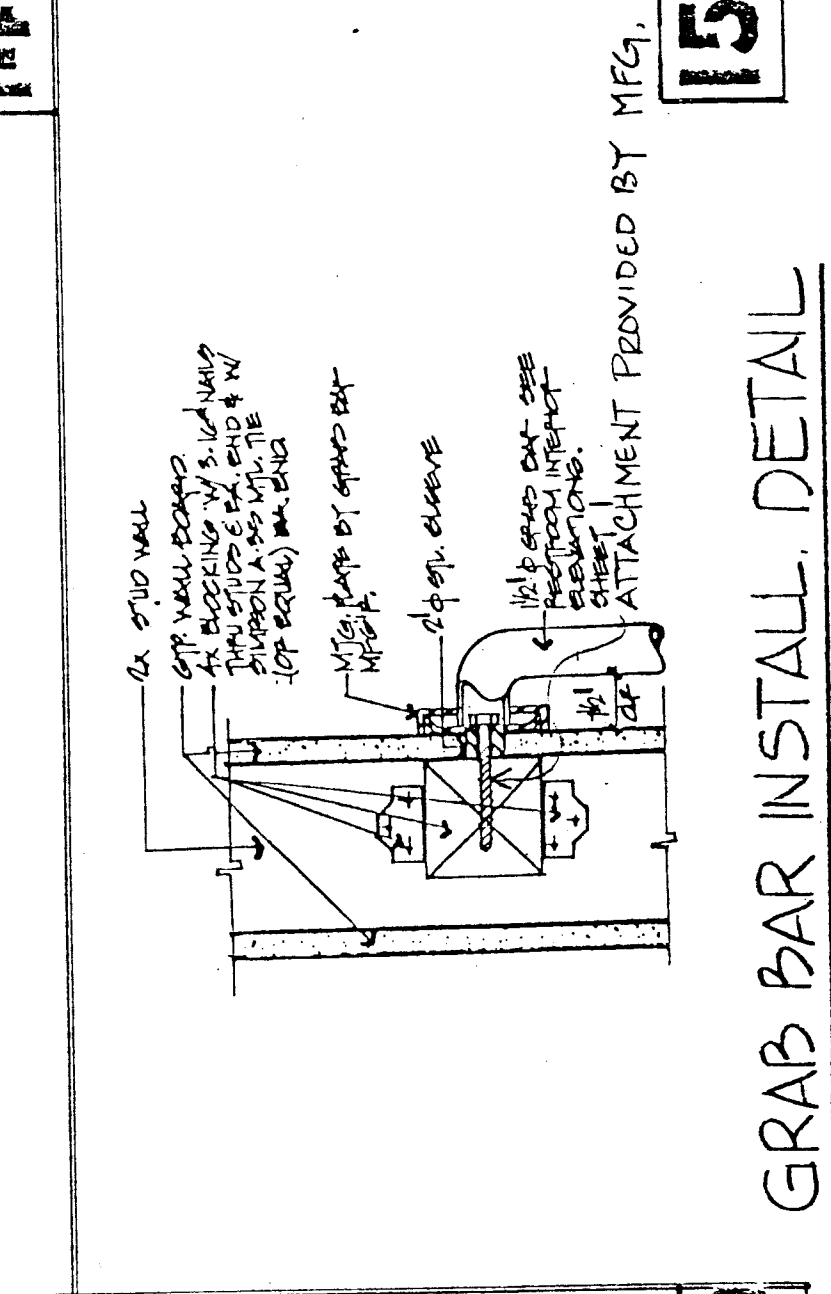
COLUMN AT MODULE LINE



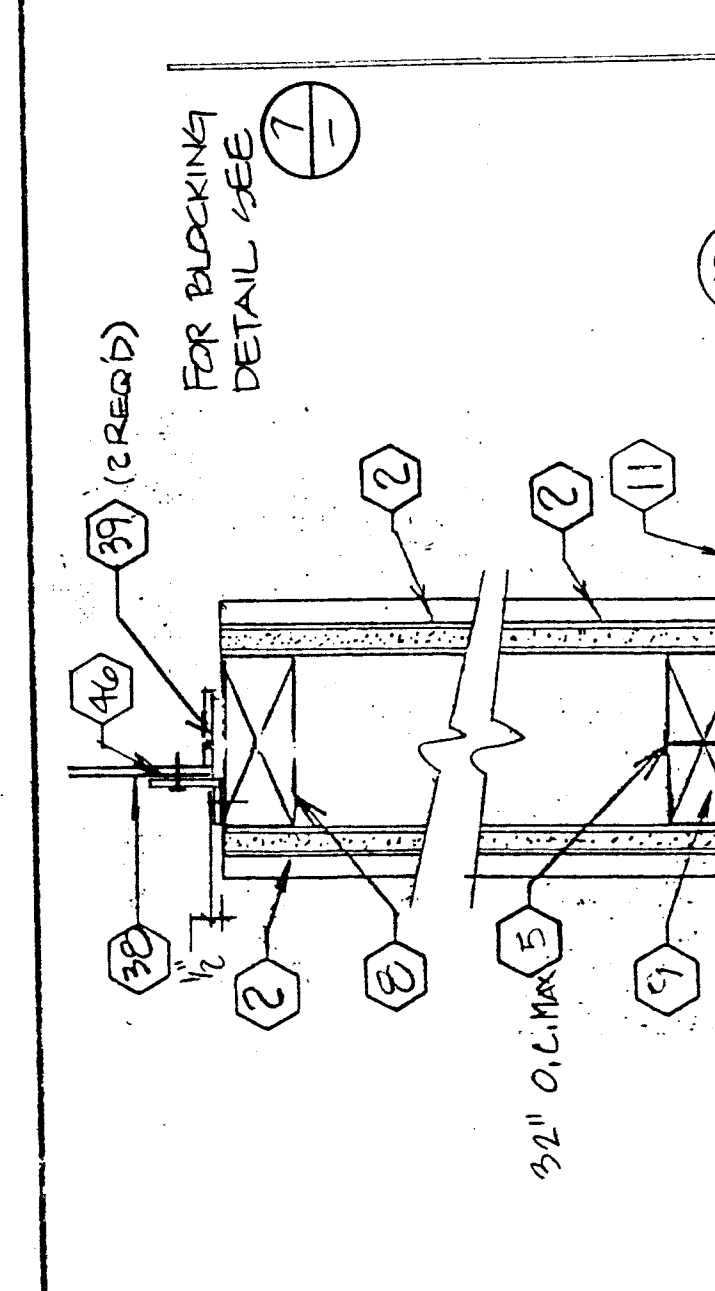
PANEL JOINT



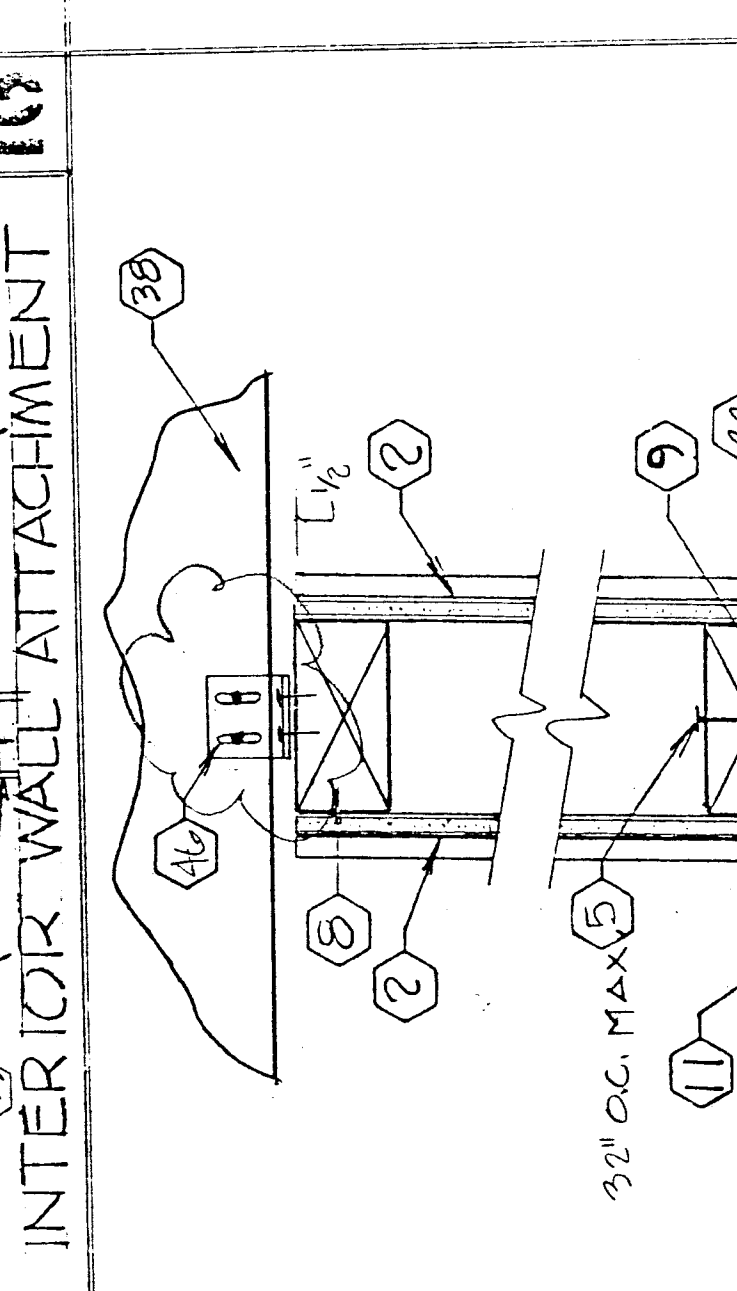
PANEL SPLICE



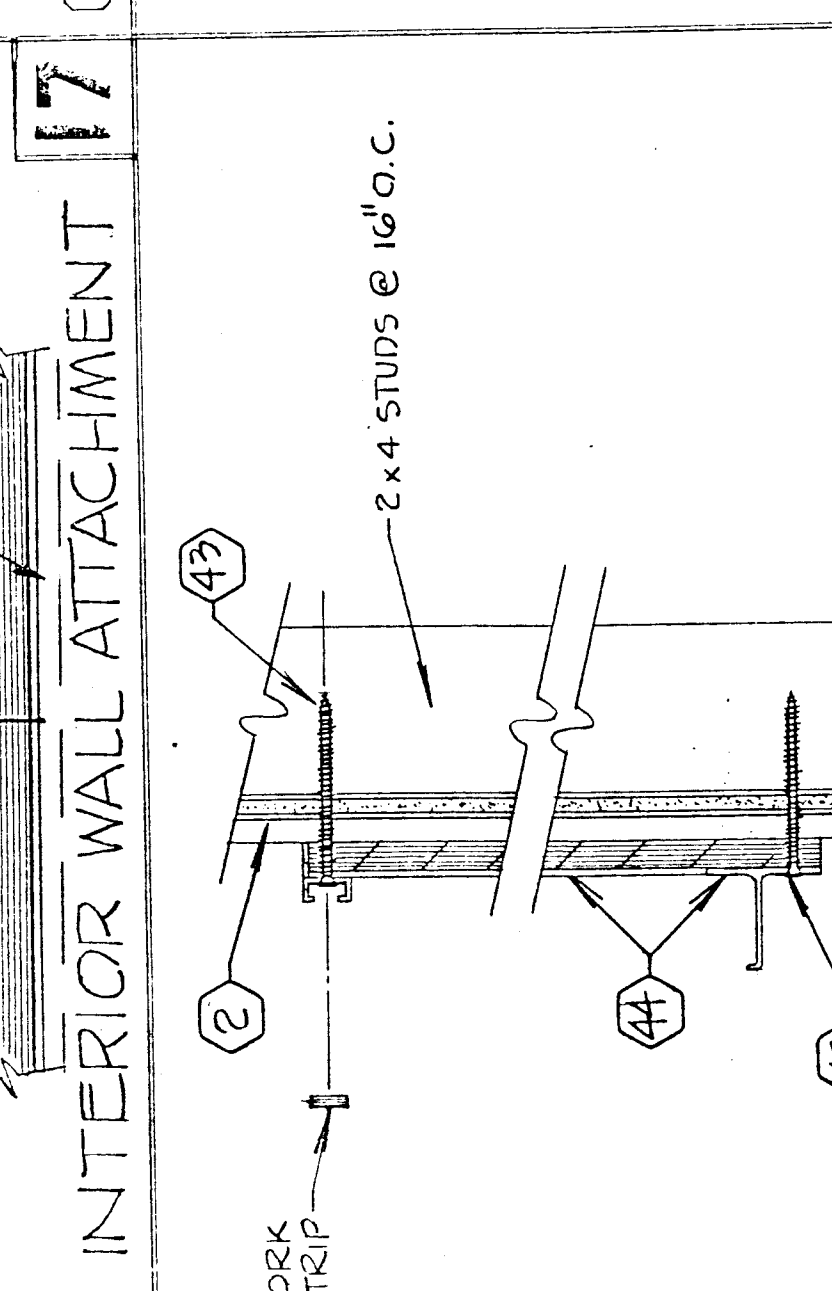
GRAB BAR INSTALL. DETAIL



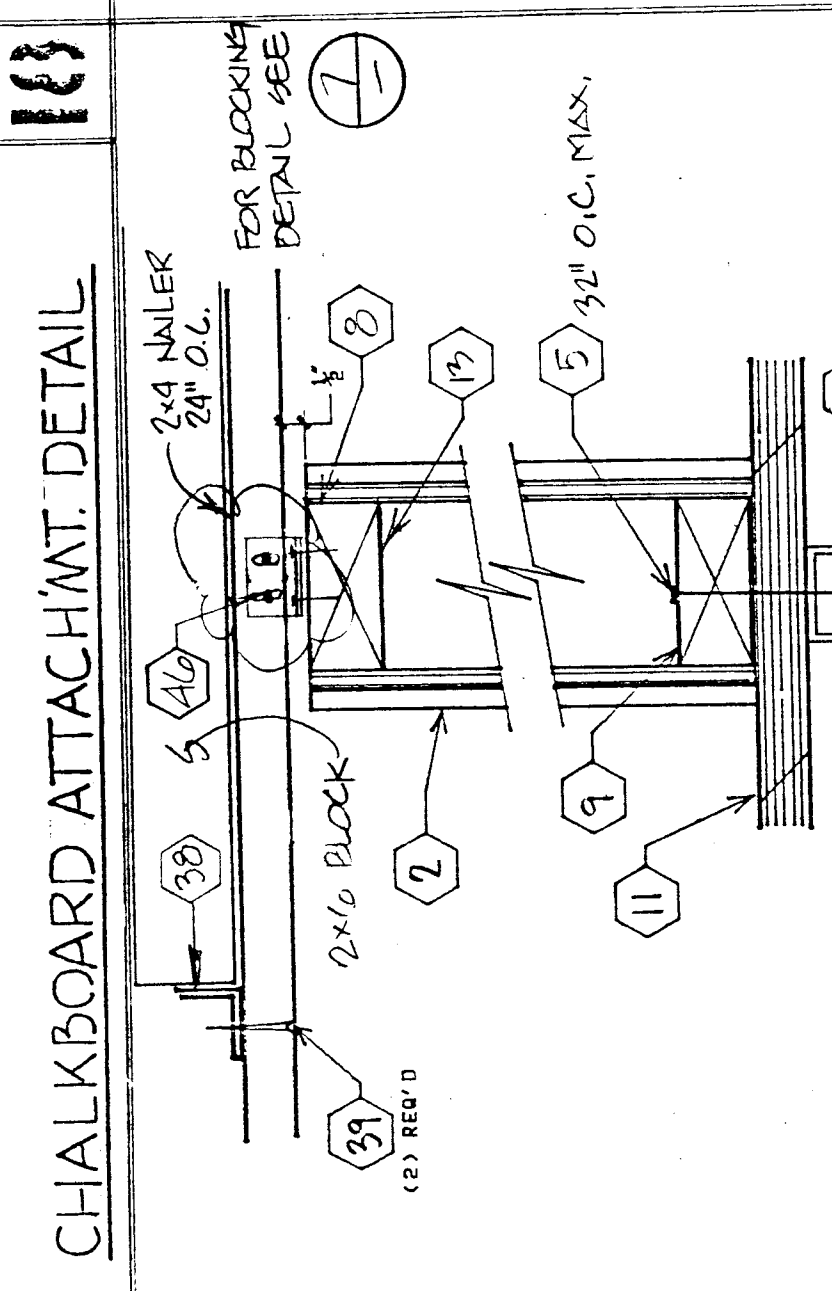
INTERIOR WALL ATTACHMENT



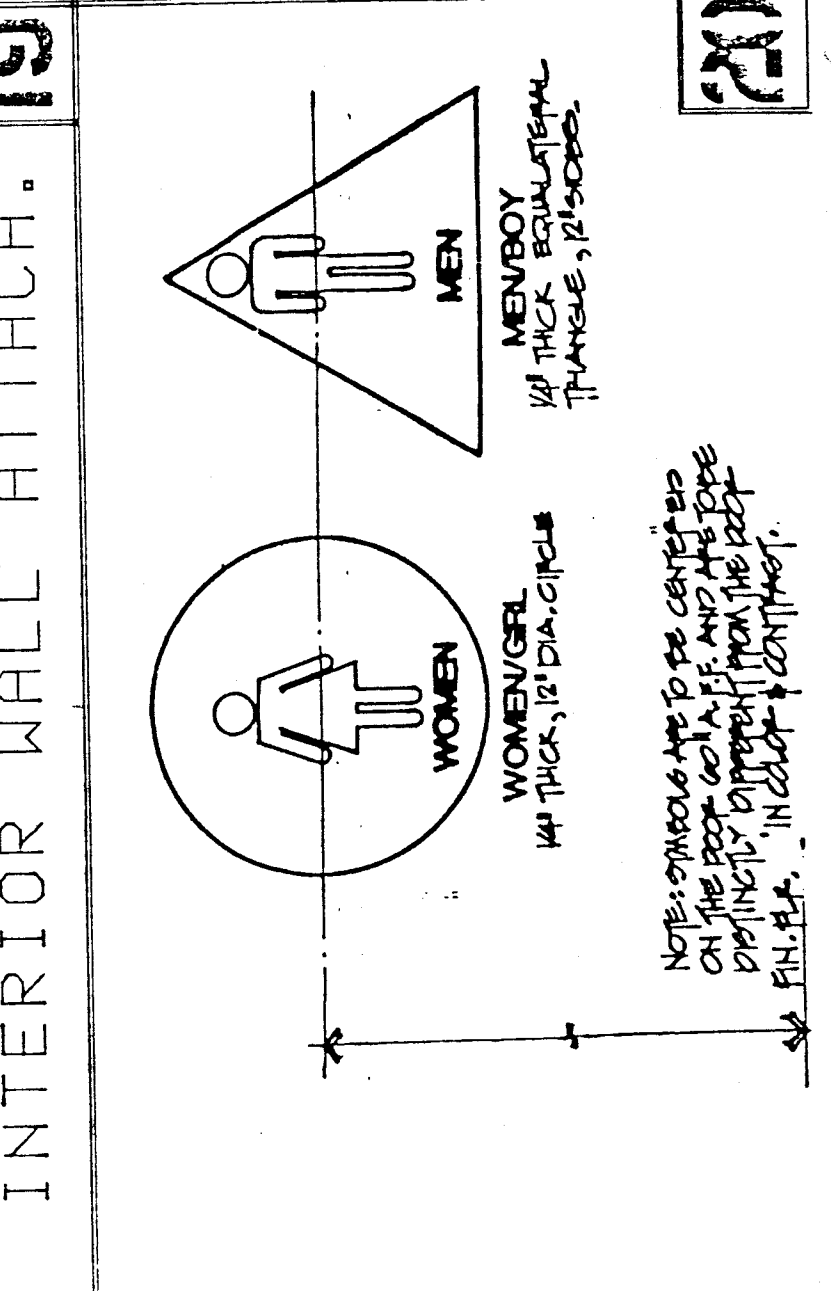
INTERIOR WALL ATTACHMENT



CHALKBOARD ATTACHMENT DETAIL



INTERIOR WALL ATTACHMENT



MEN WOMEN



TOILET ROOM SIGNAGE (TYPICAL)



TOILET ROOM SIGNAGE (TYPICAL)



TOILET ROOM SIGNAGE (TYPICAL)



TOILET ROOM SIGNAGE (TYPICAL)



TOILET ROOM SIGNAGE (TYPICAL)

9.11.99 71-2-40 3218