

PLAN215616.MCAD\STRU\S2.dwg The-Jun-03 2:03:03 04pm Logon:lwmsrcj Disc:scale48 L1Scale4



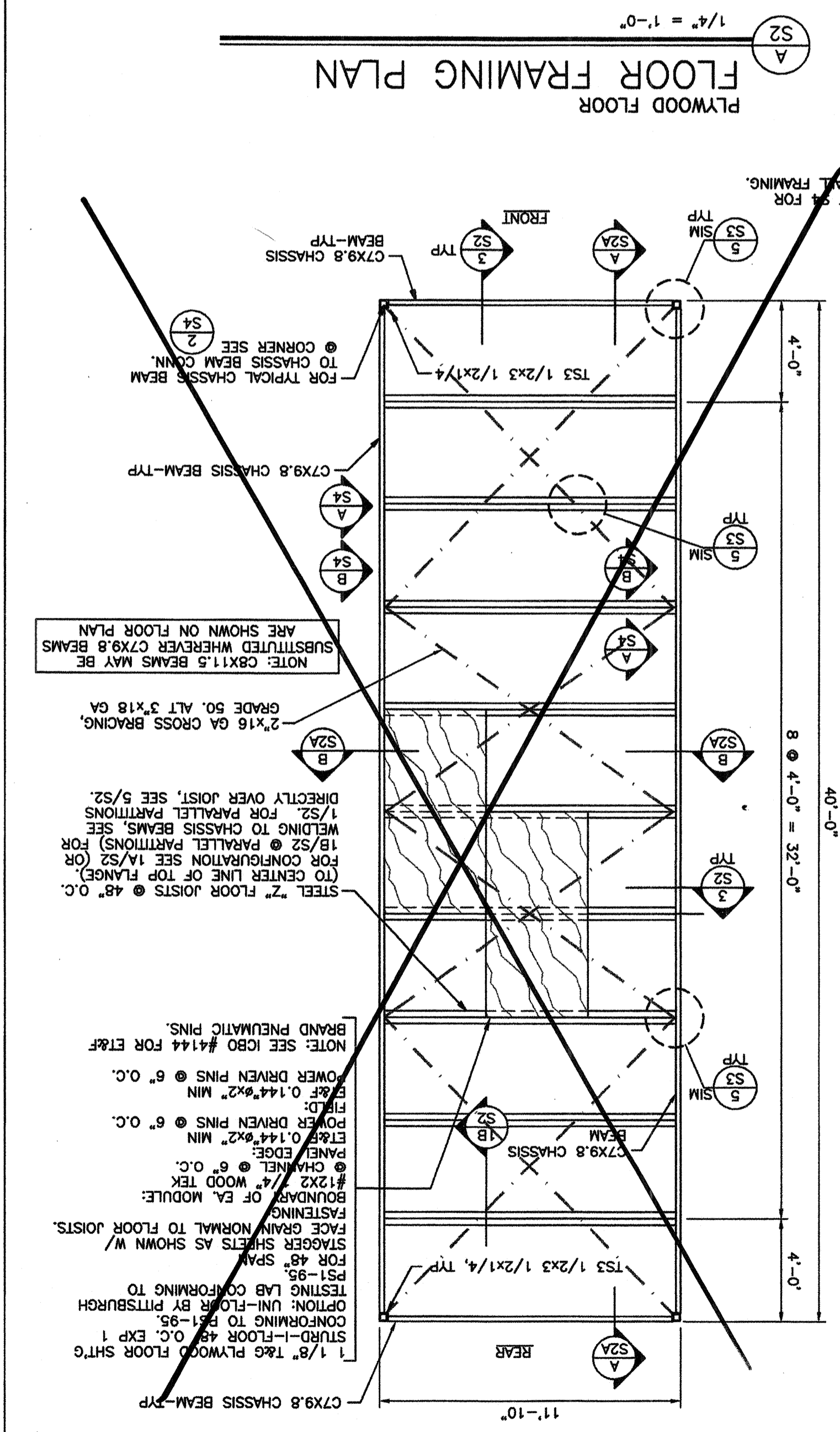
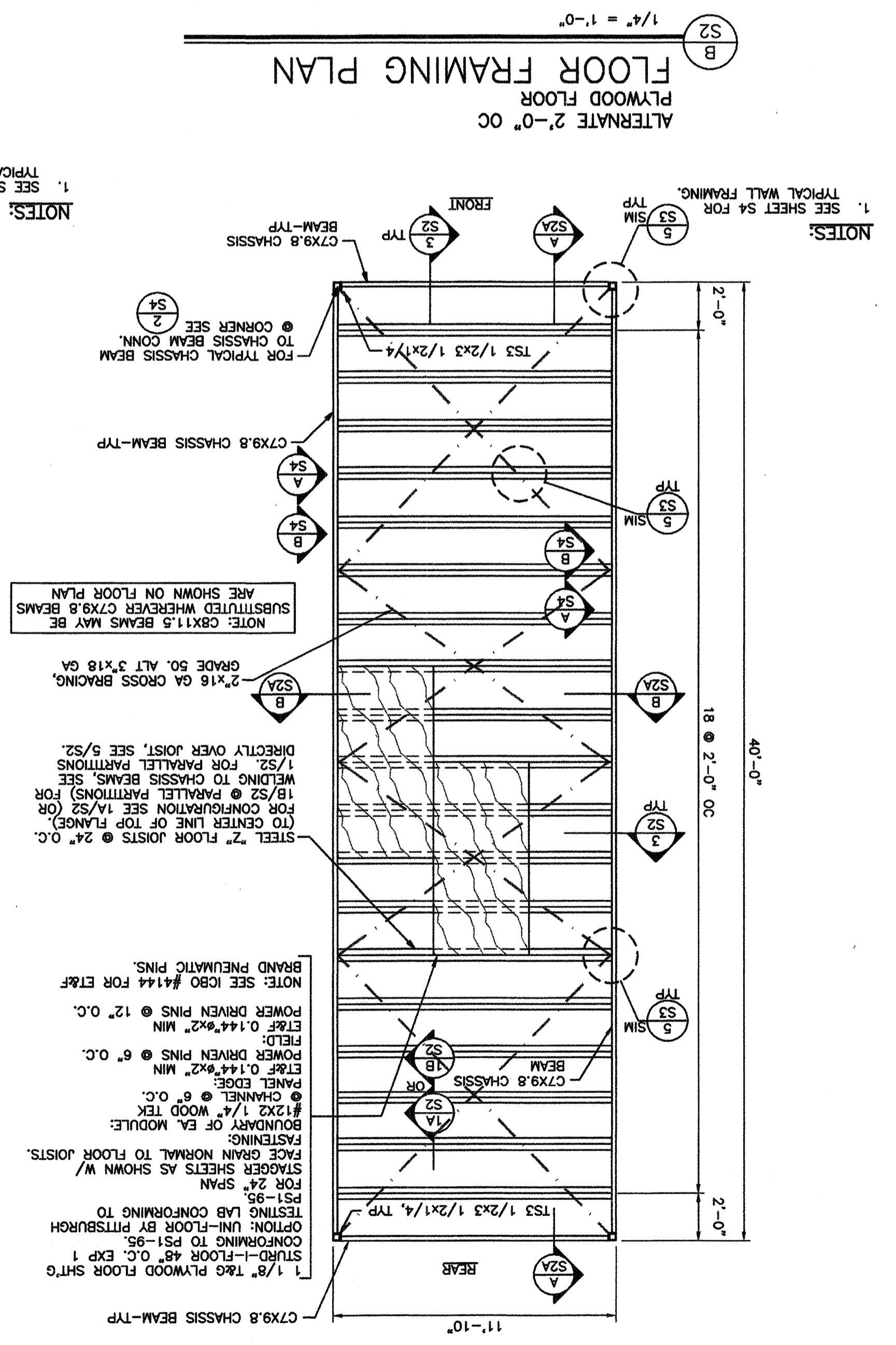
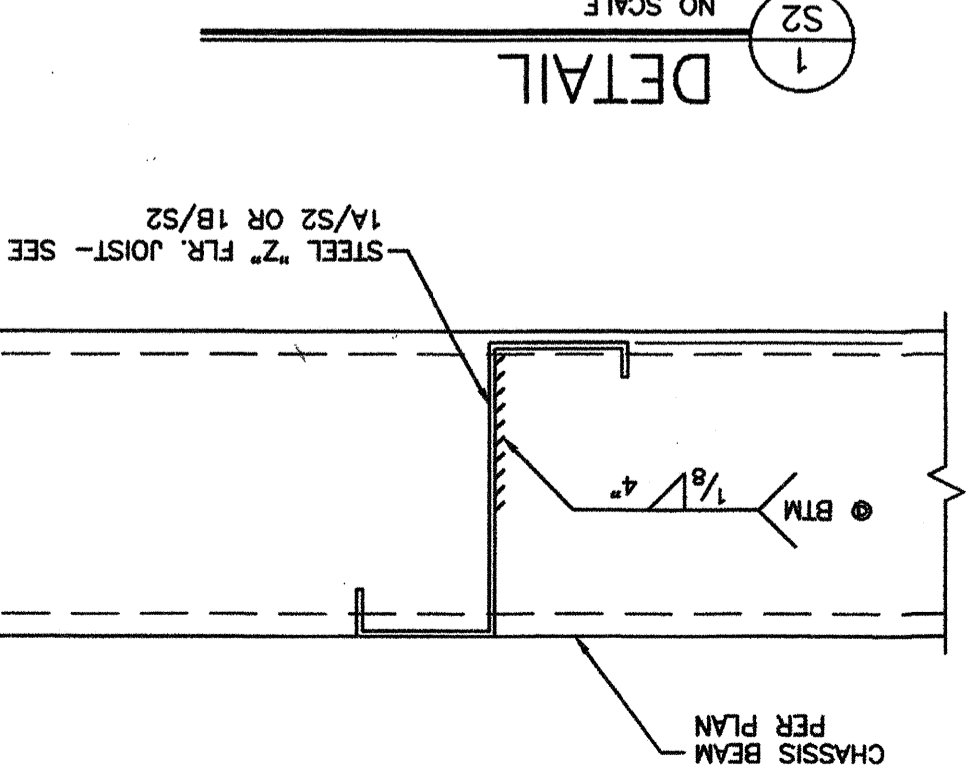
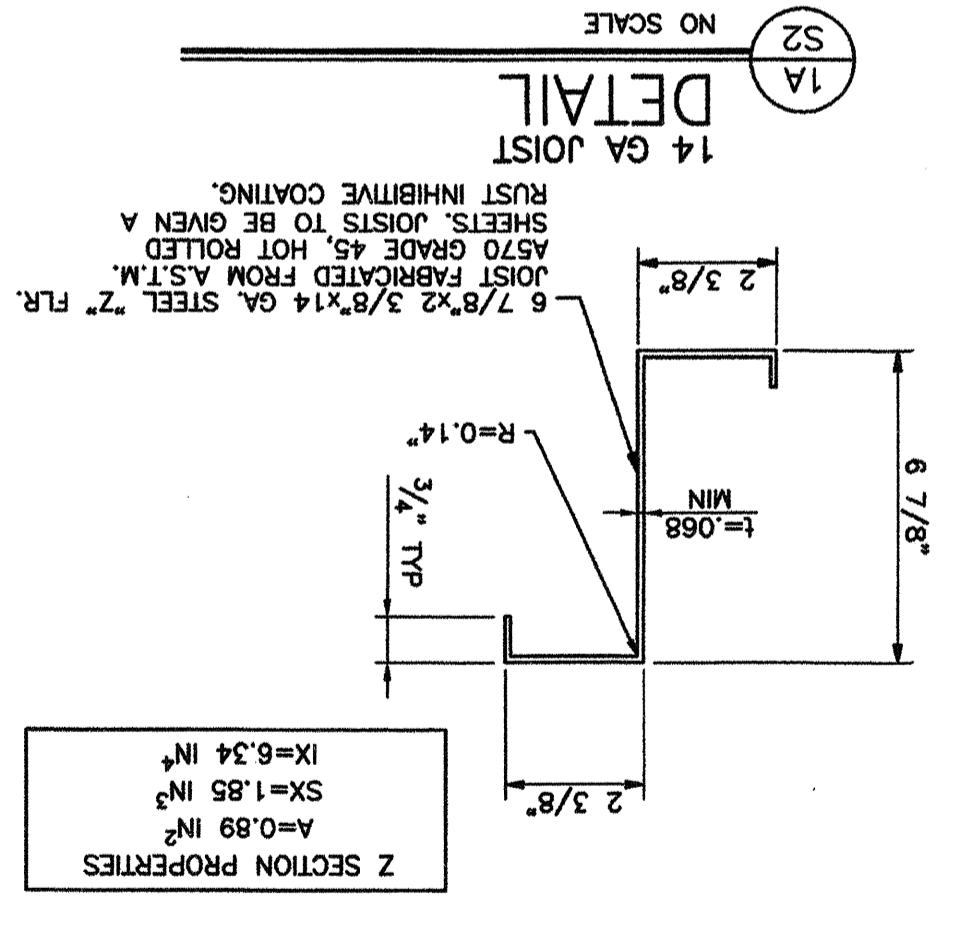
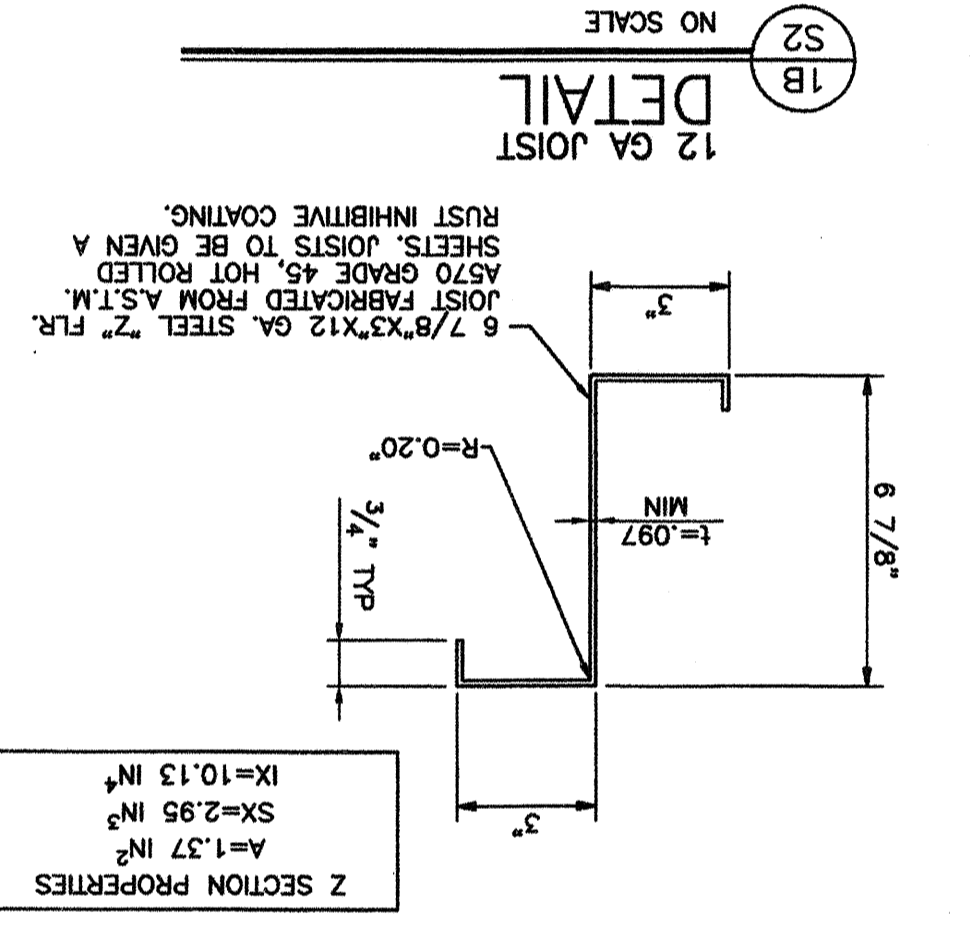
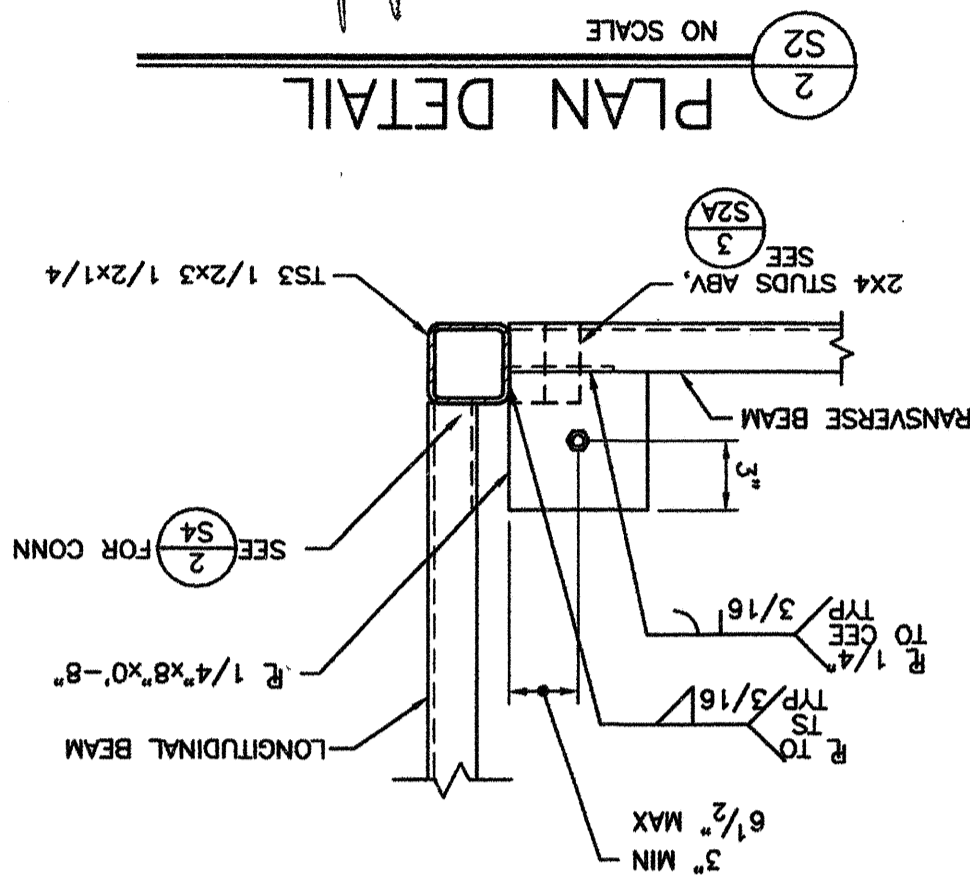
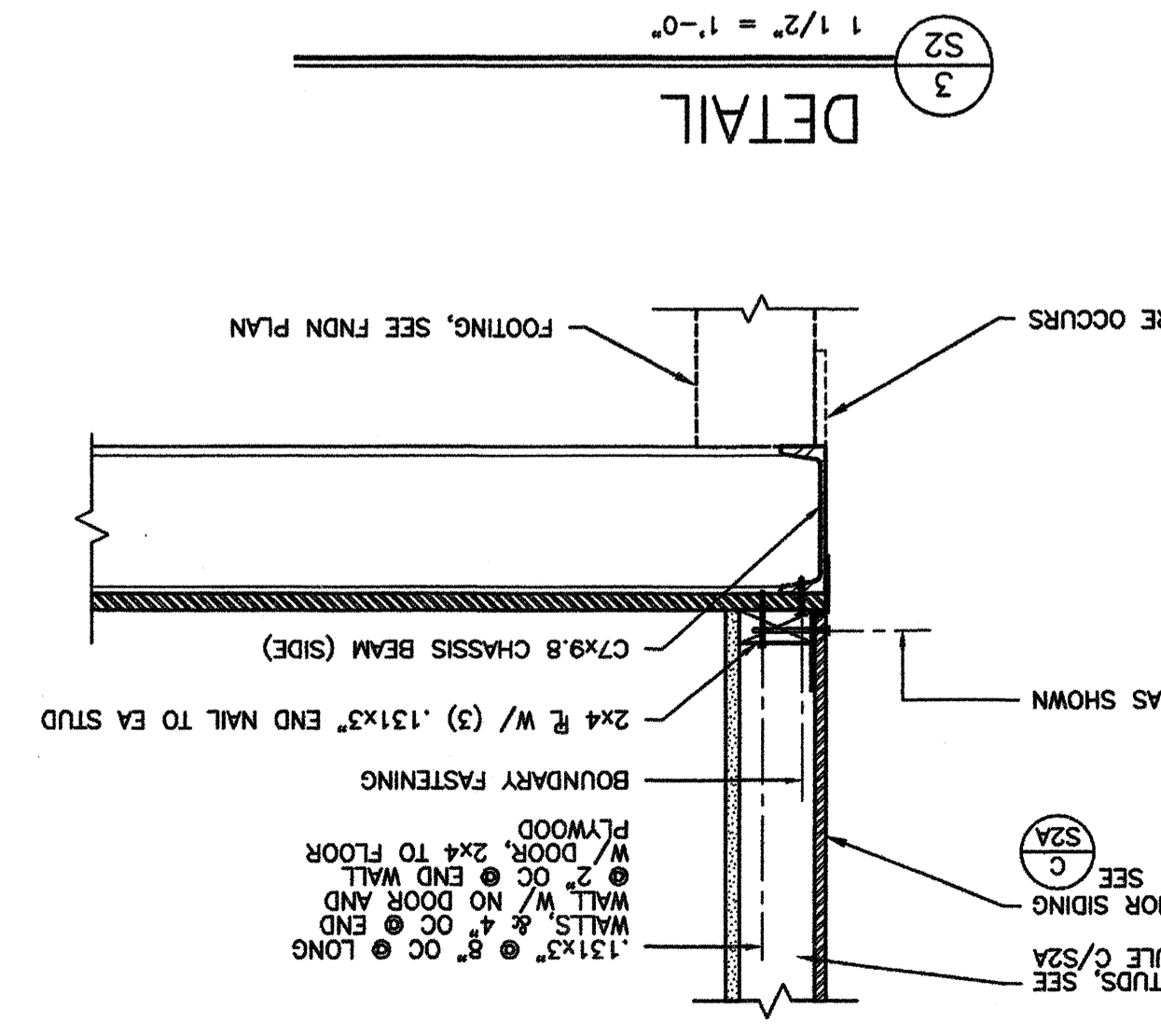
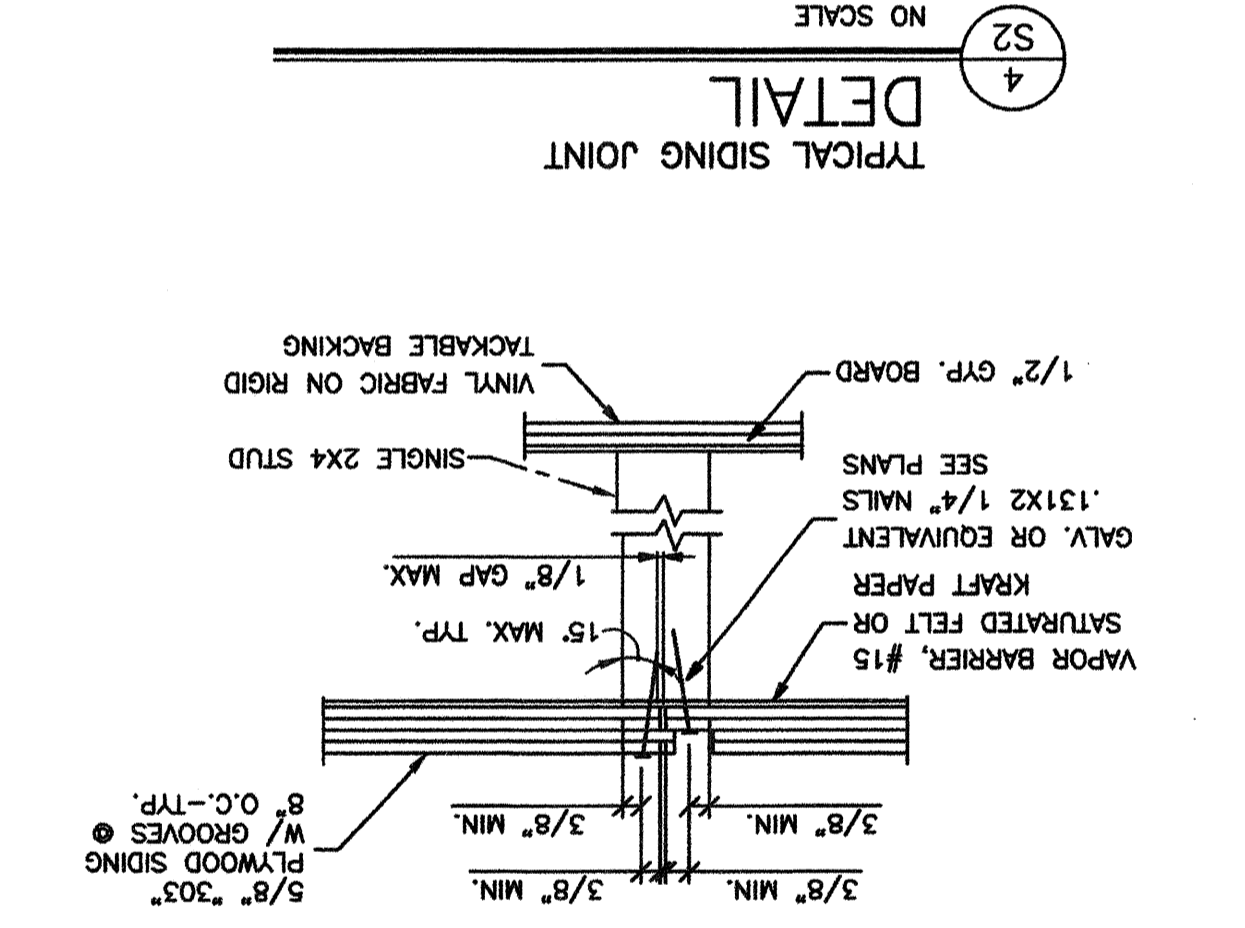
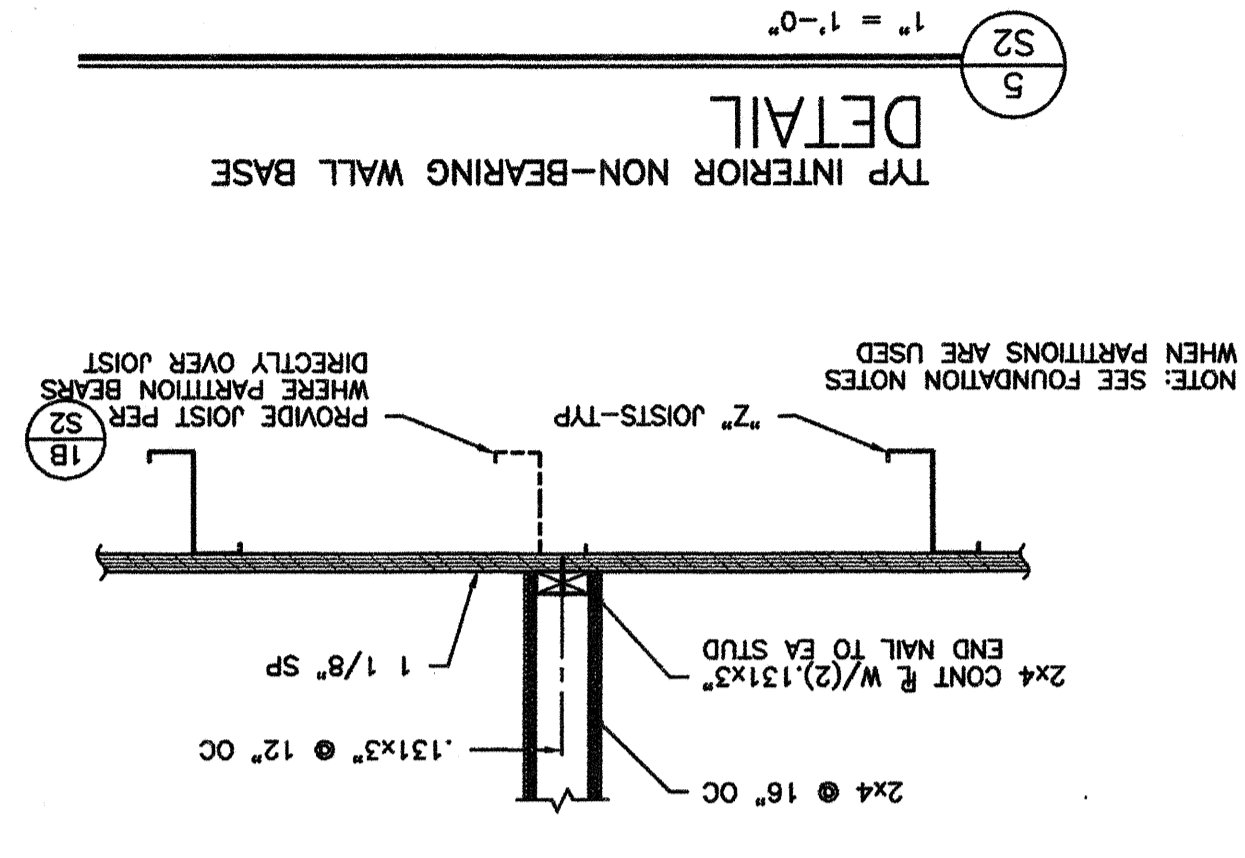
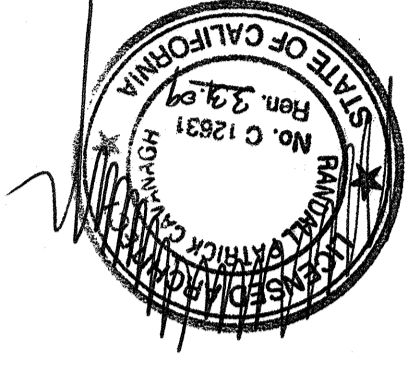
CUSTOMER: _____
 FLOOR FRAMING PLAN & DETAILS
 PLYWOOD FLOOR - 50 PSF FLOOR LIVE LOAD
 PLYWOOD FLOOR PLUS 20 PSF PARTITION LOAD
 DATE: 5/30/03
 SCALE: AS NOTED
 DRAWN BY: REM
 DESIGNED BY: KAL
 CHECKED BY: KAL
 SERIAL NO. _____

NO.	DATE	DESCRIPTION

DATE: 5/30/03
 SCALE: AS NOTED
 DRAWN BY: REM
 DESIGNED BY: KAL
 CHECKED BY: KAL
 SERIAL NO. _____

PROJECT NO. 02156-16
 SHEET NO. S2

IDENTIFICATION STAMP
 DIV. OF THE STATE ARCHITECT
 DATE APR 29 2008
 APPLICATION NO. 02-104891
 IDENTIFICATION STAMP
 DIV. OF THE STATE ARCHITECT
 DATE OCT 22 2008



NOTES:
 1. SEE SHEET S4 FOR TYPICAL WALL FRAMING.
 2. SEE SHEET S4 FOR TYPICAL WALL FRAMING.
 3. SEE SHEET S4 FOR TYPICAL WALL FRAMING.
 4. SEE SHEET S4 FOR TYPICAL WALL FRAMING.
 5. SEE SHEET S4 FOR TYPICAL WALL FRAMING.

NOTES:
 1. SEE SHEET S4 FOR TYPICAL WALL FRAMING.
 2. SEE SHEET S4 FOR TYPICAL WALL FRAMING.
 3. SEE SHEET S4 FOR TYPICAL WALL FRAMING.
 4. SEE SHEET S4 FOR TYPICAL WALL FRAMING.
 5. SEE SHEET S4 FOR TYPICAL WALL FRAMING.