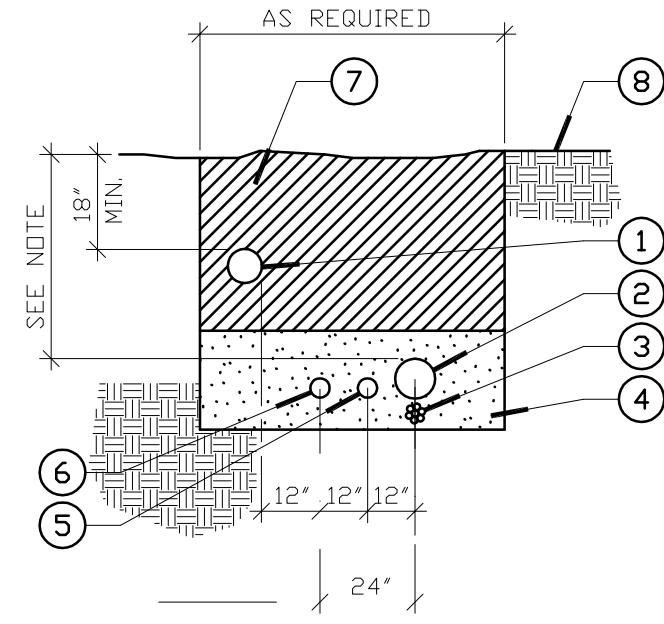
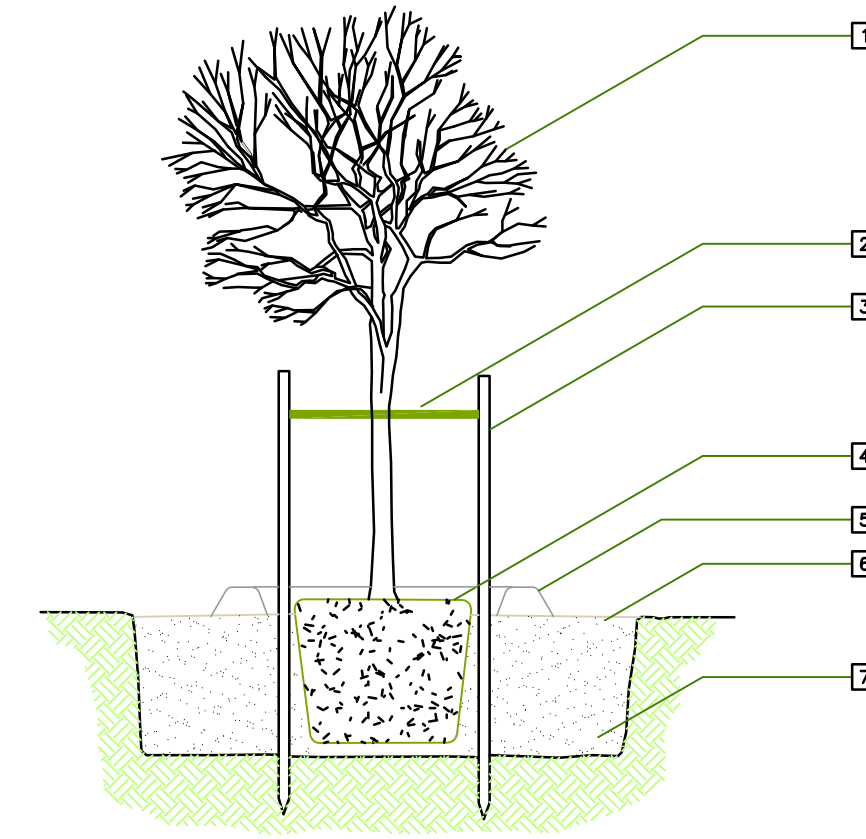


1. VALVE BOX WITH LOCKABLE COVER.
2. 2" BRANDING, PER THE IRRIGATION SPECIFICATIONS.
3. CONTROLLER DESIGNATION.
4. VALVE IDENTIFICATION.
5. ROUND VALVE BOX WITH LOCKABLE COVER.

L VALVE BOX HEAT BRANDING NTS



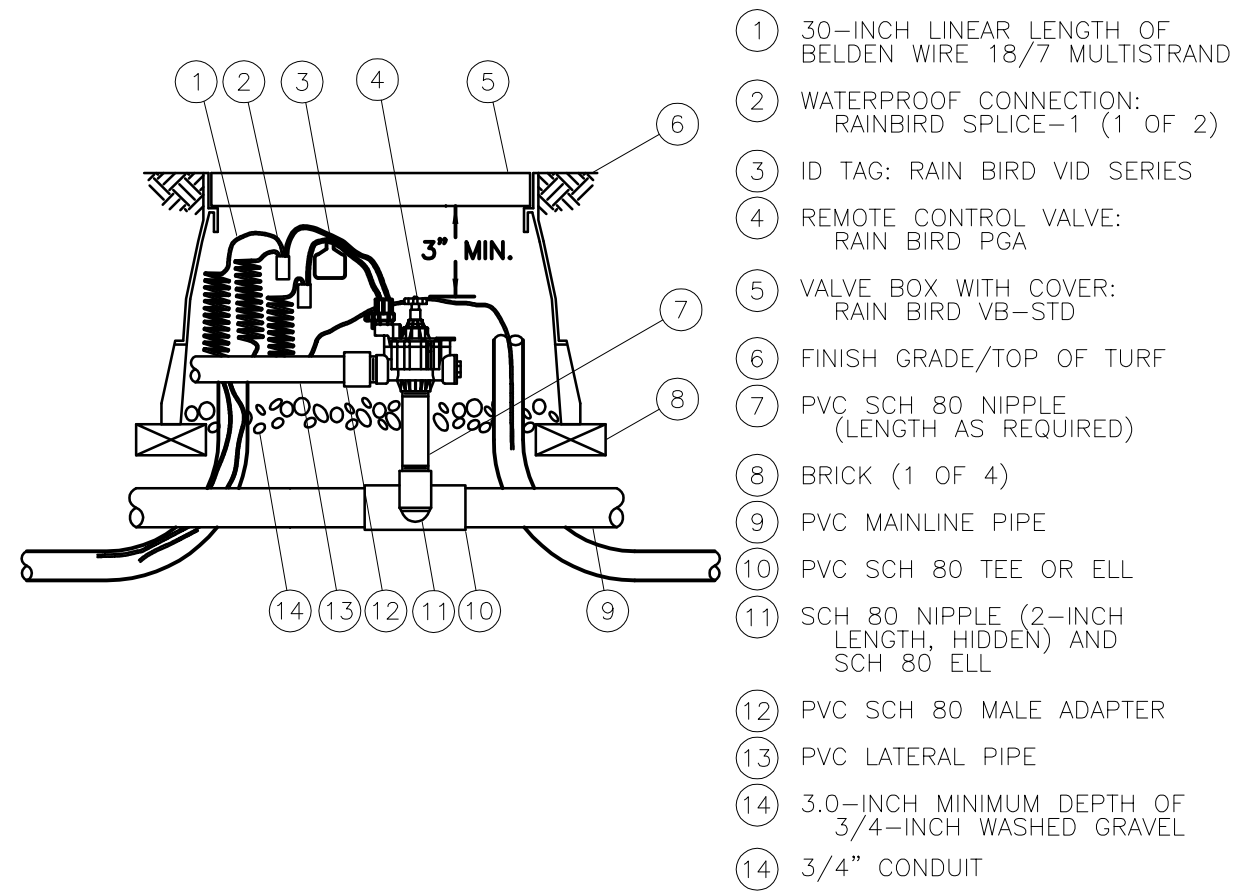
P Trenching Detail Within The Landscape NTS



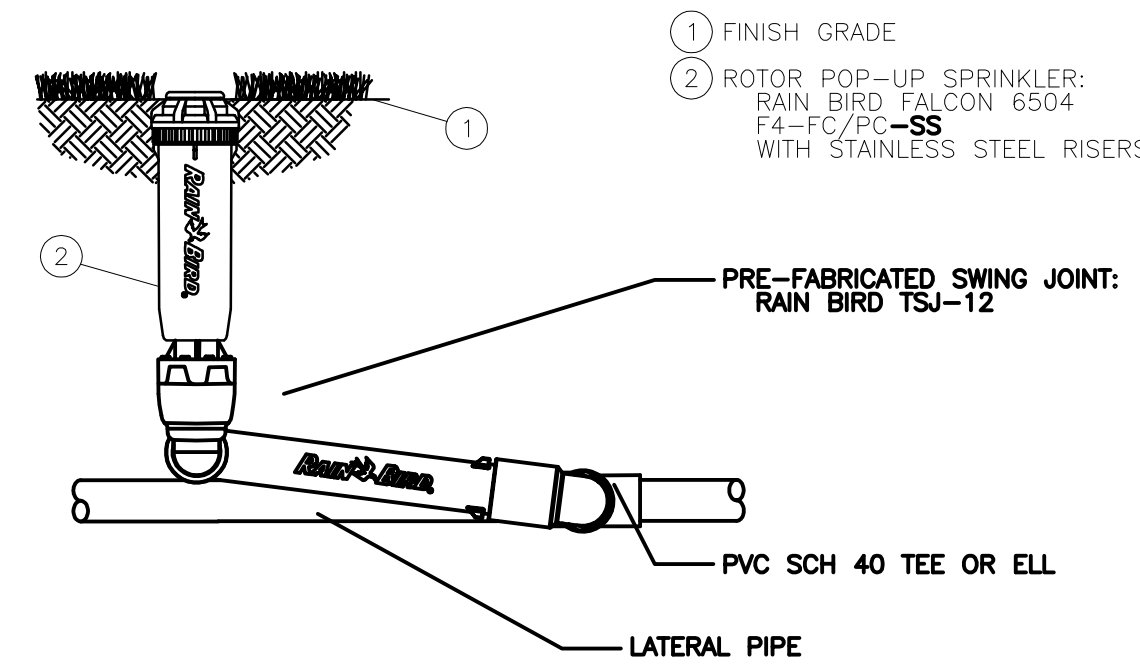
- 1 PRUNE TREE AT TIME OF STAKE REMOVAL PER LANDSCAPE ARCHITECT'S DIRECTION
- 2 TREE TIE, 1" (MIN.) IN WIDTH
- 3 (2) 2" DIA. X10' LONG LODGEPOLE PINE TREE STAKES. BURY 3" IN GROUND AND CUT OFF STAKE 12" ABOVE TREE TIE. STAKES SHALL REMAIN IN PLACE FOR 2 YEARS UNLESS REMOVAL IS APPROVED BY LANDSCAPE ARCHITECT.
- 4 SET TOP OF ROOTBALL AT SOIL SURFACE
- 5 FORM TEMPORARY IRRIGATION BORDER JUST OUTSIDE OF ROOTBALL. USE WATER TO SETTLE BACKFILL
- 6 MULCH TO DEPTH OF 1/2", 5' IN DIAMETER. KEEP MULCH 6" AWAY FROM TRUNK.
- 7 BACKFILL WITH NATIVE SOIL (NO ROCKS GREATER THAN 1") APPLY FERTILIZER TO SURFACE AWAY FROM TRUNK PER SPECS. PLANTING HOLE SHALL BE 3 TIMES DIAMETER OF ROOTBALL AND NO DEEPER. SCARIFY SIDES AND BOTTOM OF PLANTING HOLE

NOTE:
SUFFICIENT CLEARANCE SHALL BE MAINTAINED BETWEEN TREES AND UTILITY FACILITIES SO AS NOT TO HINDER USE OF THESE FACILITIES. SCARIFY ONE SIDE OF ROOTBALL PRIOR TO PLANTING.

G TREE PLANTING NTS



D ELECTRIC REMOTE CONTROL VALVE 1-23-04 REVISED NTS PGA-BI-PRSD-2000

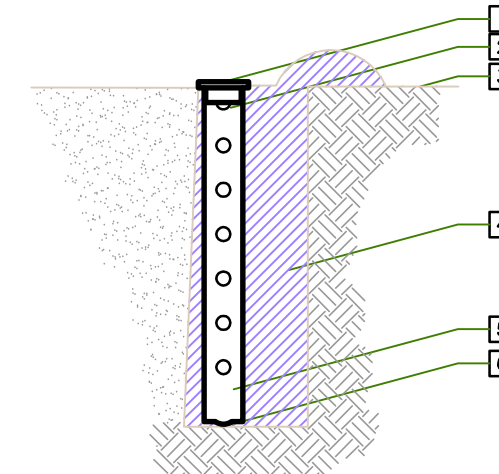


D ROTOR POP UP SPRINKLER 4-27-04 NTS FALCON-6504

INSTALL BREATHER TUBES ON ALL TREES PER THE FOLLOWING SCHEDULE:

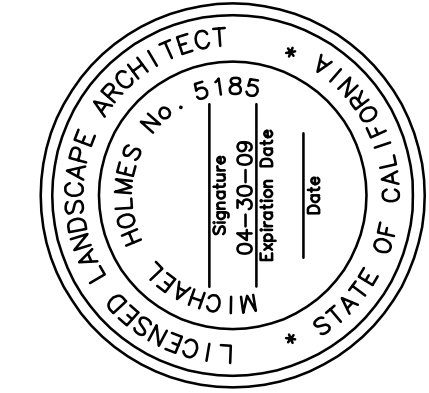
15 GALLON	(1) - 3"
24" BOX	(2) - 3"
36" BOX	(3) - 3"
48" BOX	(4) - 4"
60" BOX & LARGER	(4) - 4"
B&B PALMS	

DO NOT INSTALL TUBES FOR PLANT MATERIAL INSTALLED ON SLOPES



- 1 NDS SLOTTED GRATE (PER PIPE SIZE) GRATE TO SLIDE INTO PIPE SECURE WITH STAINLESS STEEL SELF TAPPING SCREWS
- 2 RIGID PERFORATED S&D PIPE SEE SCHEDULE ABOVE FOR SIZE AND NUMBER PER PLANT.
- 3 DUCT TAPE OVER HOLES WITHIN 6" OF FINISHED GRADE.
- 4 FINISHED GRADE
- 5 BACKFILL MIX PER SPECIFICATIONS
- 6 BREATHER TUBE TO EXTEND TO FULL DEPTH OF PLANTING HOLE
- 7 FILL PIPE WITH CLEAR 1" STONE

M BREATHER TUBE NTS

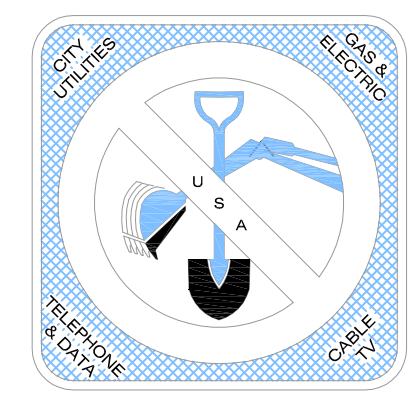


PINNACLE Civil Engineering, Inc.
2161 Saturn Court, Bakersfield, CA 93308
Phone: (661) 869-0184 Fax: (661) 377-0076

MICHAEL HOLMES	LA 5185 EXP. 4/30/09	DATE
REVISIONS	DELETED NORTH PORTION OF SITE	7-14-09
	SPECIFIED TREES AND IRRIGATION COMPONENTS	

LANDSCAPE & IRRIGATION DETAILS
BCSD - WAYSIDE ELEMENTARY
PLANTING DETAILS
BAKERSFIELD, CALIFORNIA

CALL: 1-800-227-2600



JOB No.:	07-320
DWG NO.:	07-320GRBM
DATE:	04/07/08
DRAWN BY:	MH
CHECKED BY:	MH
SHEET	6
	OF 7 SHEETS