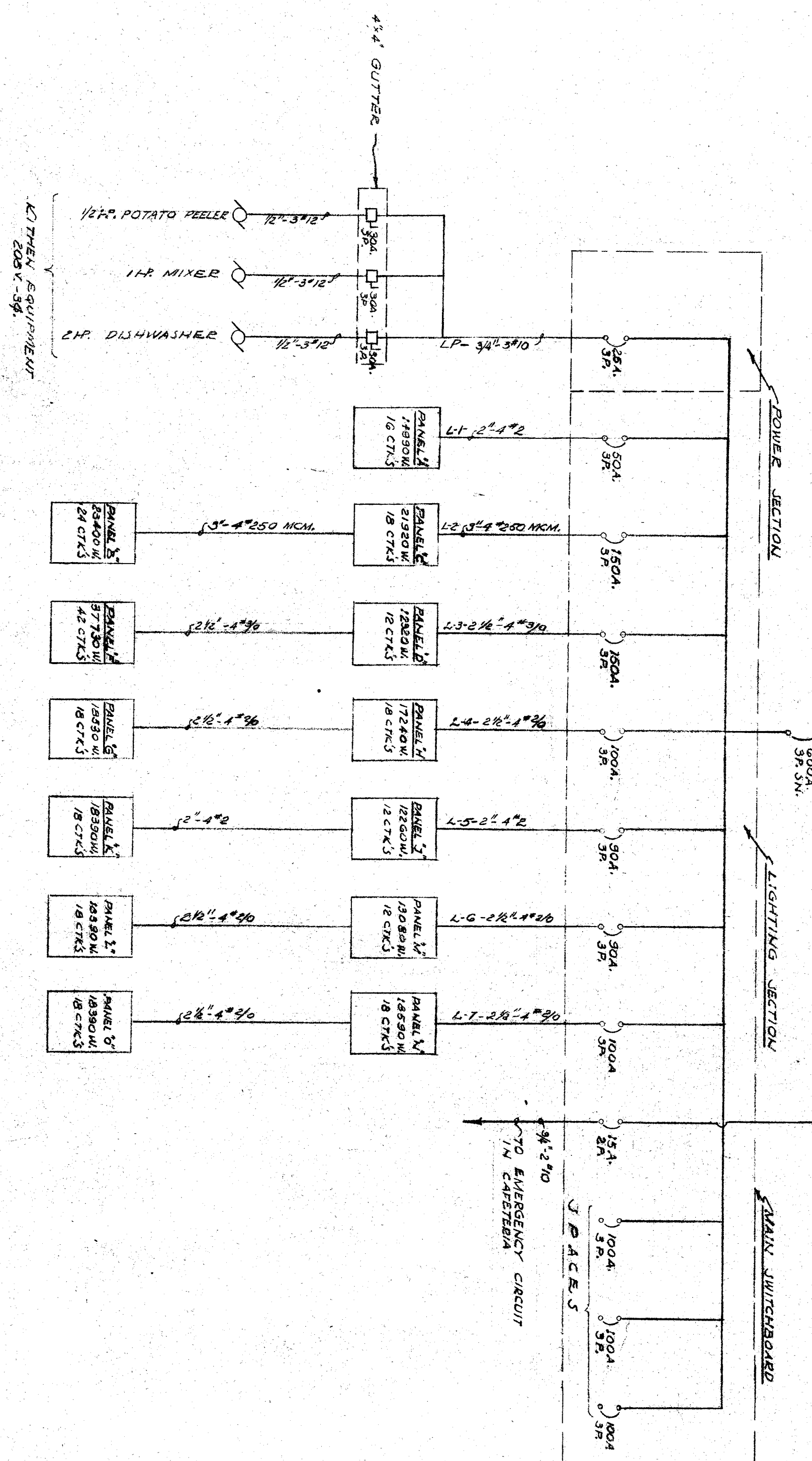


PLOT PLAN
SCALE: 1/3200'-0"

LOAD CALCULATION
 TOTAL LOAD = 226,000 W
 15000 W @ 100% DEMAND
 210000 @ 50% DEMAND
 15000 + 105000 = 120000 W = 504 x 3φ - 4W
 USE 4-170 MCM IN 4" x 8" CONDUIT



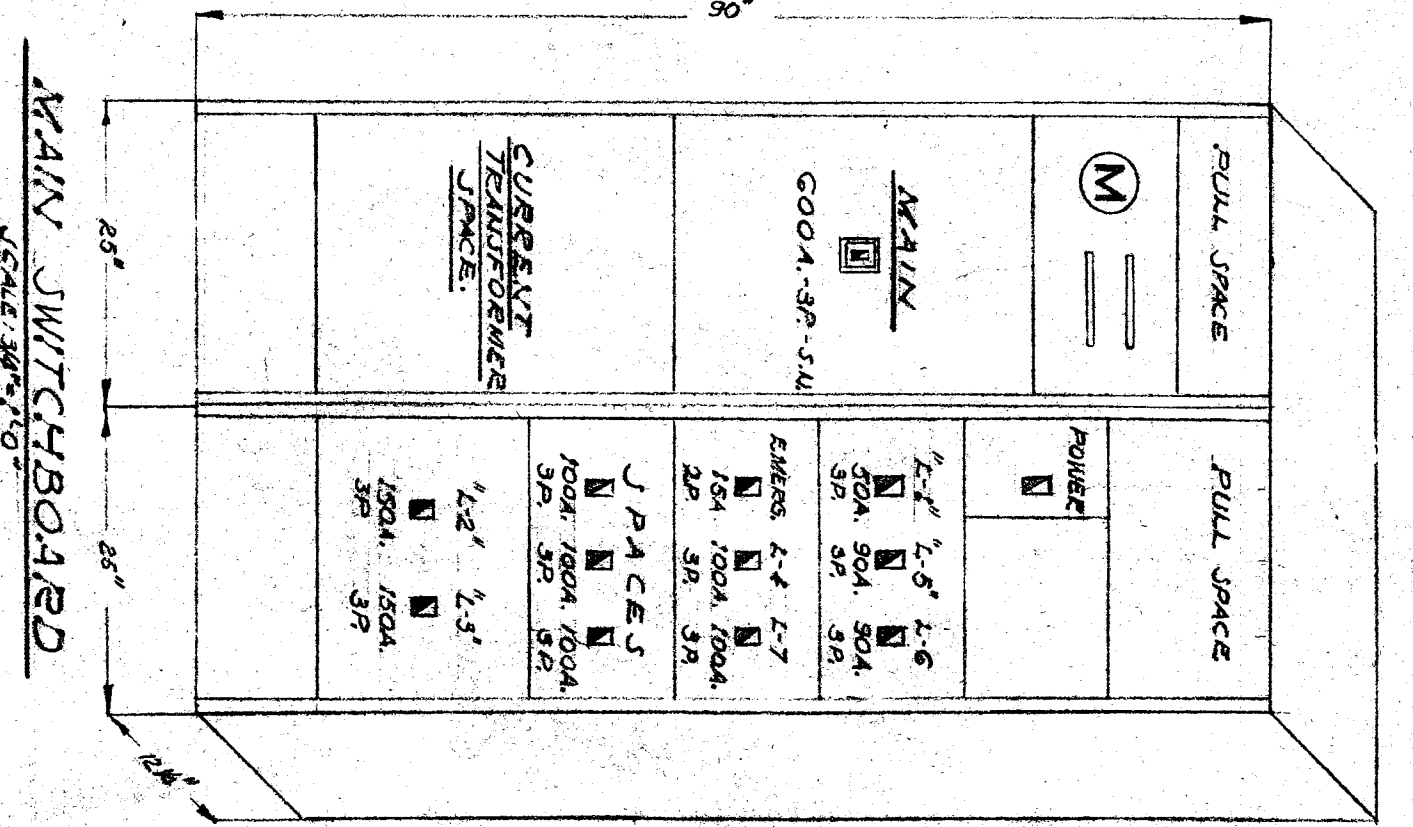
FEEDER DIAGRAM

FIGURE SCHEDULE

- F#1 - CONCEALED RING INDICATOR, ULTRAVIOLET BOWL LAMP FIXTURE
- F#2 - CONCEALED RING INDICATOR, ULTRAVIOLET BOWL LAMP FIXTURE
- F#3 - CONCEALED RING INDICATOR, ULTRAVIOLET BOWL LAMP FIXTURE
- F#4 - CONCEALED RING INDICATOR, ULTRAVIOLET BOWL LAMP FIXTURE
- F#5 - CONCEALED RING INDICATOR, ULTRAVIOLET BOWL LAMP FIXTURE
- F#6 - CONCEALED RING INDICATOR, ULTRAVIOLET BOWL LAMP FIXTURE
- F#7 - CONCEALED RING INDICATOR, ULTRAVIOLET BOWL LAMP FIXTURE
- F#8 - CONCEALED RING INDICATOR, ULTRAVIOLET BOWL LAMP FIXTURE
- F#9 - CONCEALED RING INDICATOR, ULTRAVIOLET BOWL LAMP FIXTURE
- F#10 - CONCEALED RING INDICATOR, ULTRAVIOLET BOWL LAMP FIXTURE

SYMBOLS

- WALL BRACKET LIGHTING OUTLET - SQUARE FLUSH
- ⊗ EXIT LIGHTING OUTLET
- ⊗ 1/2" HOSE
- ⊗ DUPLEX RECEPTACLE - 120 VAC. OUTLET
- ⊗ WALL SWITCH WITH IDENTIFYING SUBSCRIPT
- ⊗ WALL SWITCH WITH IDENTIFYING SUBSCRIPT
- ⊗ JUNCTION BOX - STANDARD OUTLET BOX WITH BLANK COVER
- ⊗ DISCONNECT SWITCH
- ⊗ LIGHTING PANELBOARD
- ⊗ POWER PANELBOARD
- ⊗ SIGNAL CABINET WITH BARRIERS
- ⊗ TELEPHONE TERMINAL CABINET
- ⊗ BALL OR SOUV
- ⊗ BREAK-GLASS FIRE ALARM STATION
- ⊗ LOUDSPEAKER OUTLET
- ⊗ TELEPHONE OUTLET
- ⊗ CLOCK OUTLET
- ⊗ MASTER'S CLOCK
- ⊗ CONDUIT RUN CONCEALED IN WALL OR CEILING
- ⊗ CONDUIT RUN CONCEALED UNDER FLOOR
- ⊗ HOSE RUN TO PANEL & CIRCUIT SHOWN, CONTINUE WIRE SIZE THROUGHOUT CIRCUIT UNLESS CHANGE IS SHOWN
- ⊗ COOLING INDICATES NUMBER OF WIRING IS SHOWN ON HOVERBOW. ALL CONDUIT SHALL BE 1/2" UNLESS SHOWN LARGER. USE #12 WIRE FOR LIGHTING AND POWER CIRCUITS NOT SHOWN LARGER.
- ⊗ DUPLEX WALL OUTLETS UP TO 2" UNLESS OTHERWISE SHOWN.
- ⊗ THERMOSTAT



MAIN SWITCHBOARD
SCALE: 3/16" = 1'-0"

HILBURG, BYLER & HENGSTLER
 ELECTRICAL ENGINEERS
 237 SOUTH SPRING STREET
 LOS ANGELES 12, CALIFORNIA

STATE OF CALIFORNIA
 DEPARTMENT OF PUBLIC WORKS
 DIVISION OF ARCHITECTURE
 PROJECT NO. 5633
 APPROVED: 2-17-48
 H. A. ...

BAKERFIELD CITY SCHOOLS
 1500 E. T. BAKERFIELD BLVD.
 BAKERFIELD, CALIFORNIA
 PROJECT NO. 5633
 APPROVED: 2-17-48
 H. A. ...

ELECTRICAL
 BAKERFIELD CITY SCHOOLS
 1500 E. T. BAKERFIELD BLVD.
 BAKERFIELD, CALIFORNIA
 PROJECT NO. 5633
 APPROVED: 2-17-48
 H. A. ...