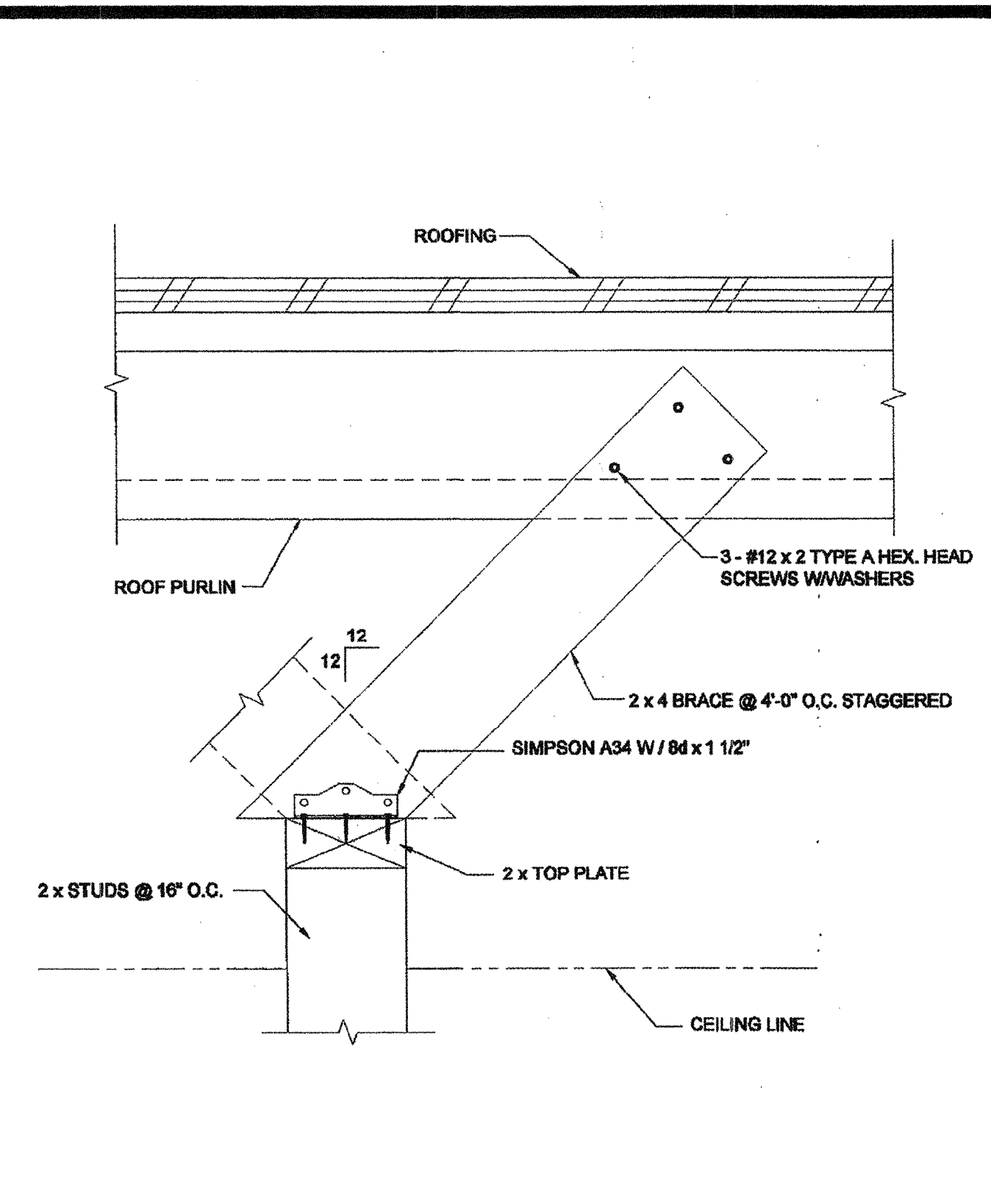
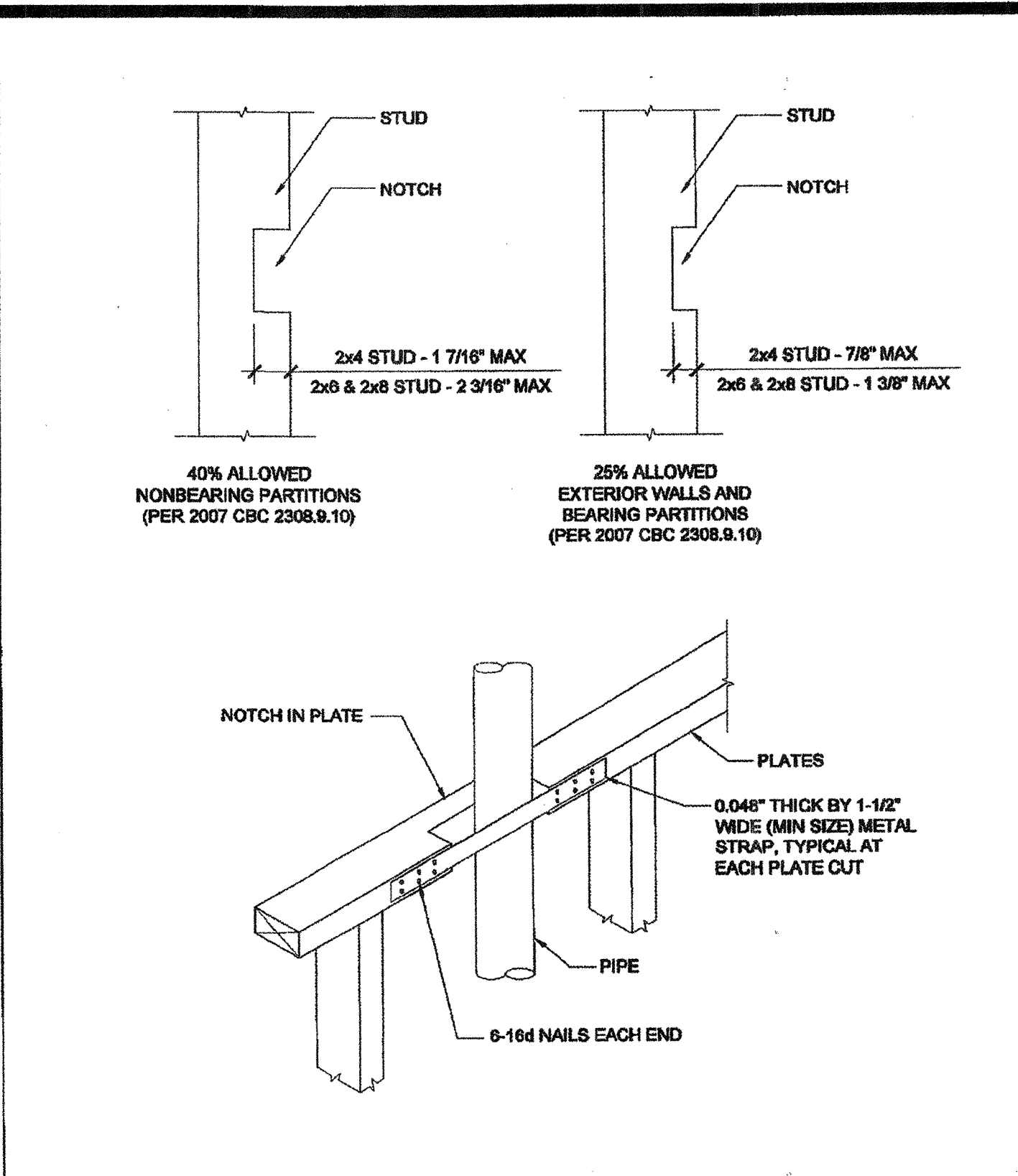


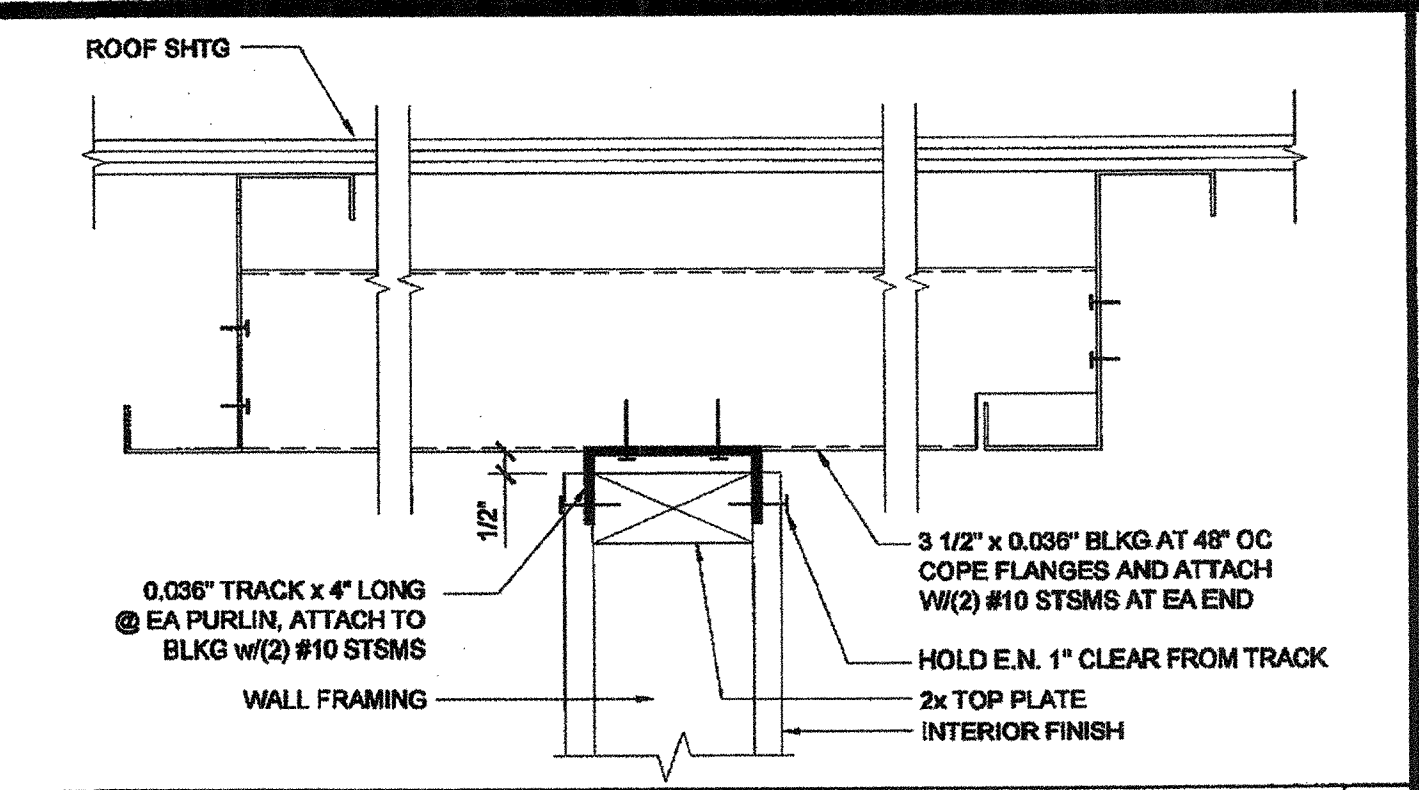
INTERIOR PARTITION SCALE: 3" = 1'-0" 14



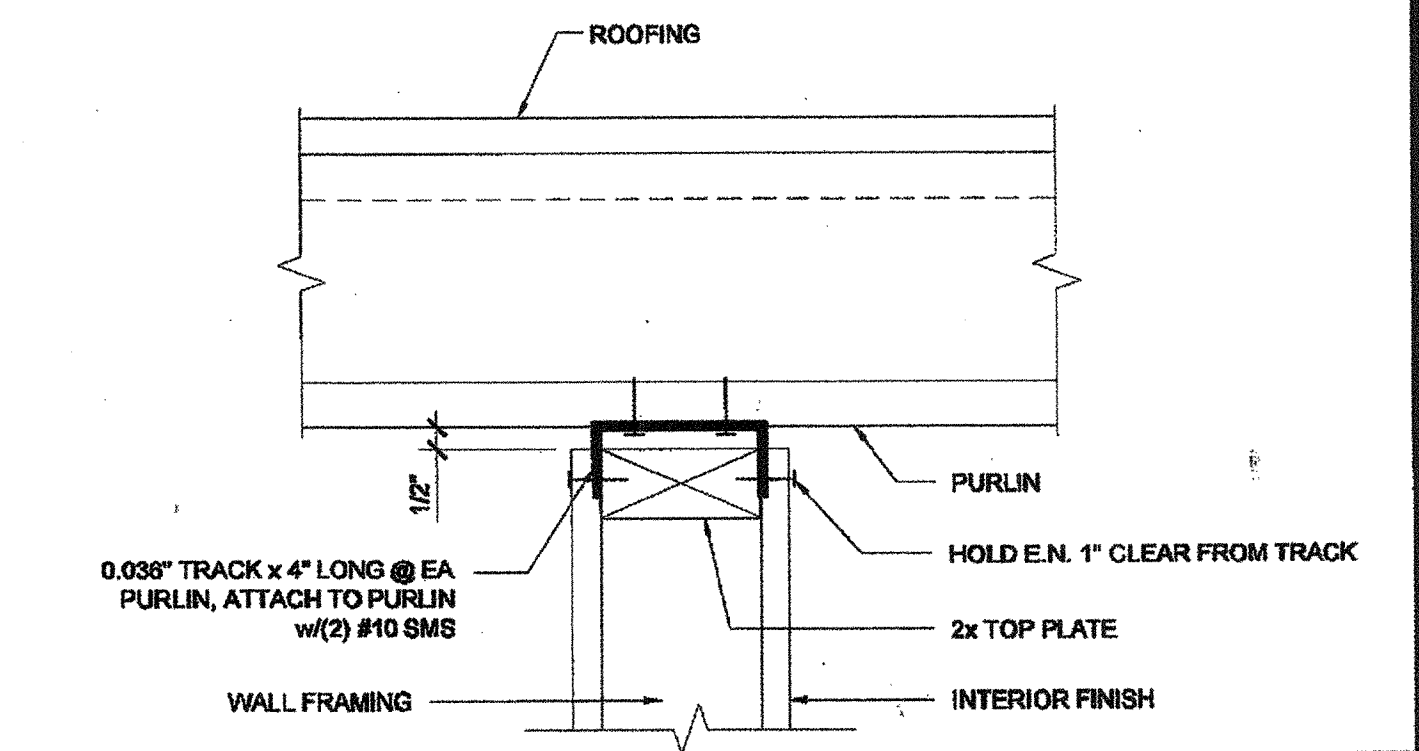
INTERIOR PARTITION SCALE: 3" = 1'-0" 12



CUTTING AND NOTCHING SCALE: 1 1/2" = 1'-0" 7

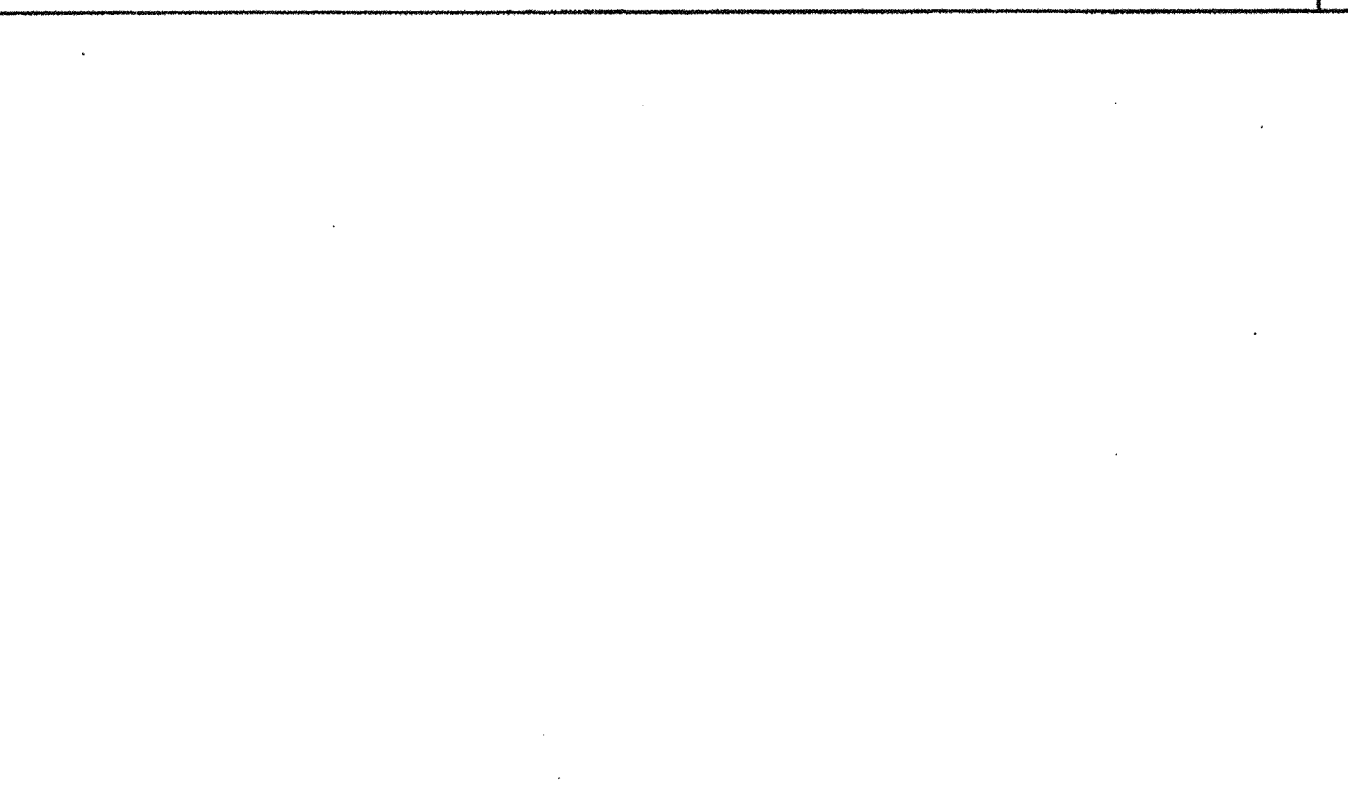


FULL HEIGHT INTERIOR PARTITION SCALE: 3" = 1'-0" 1

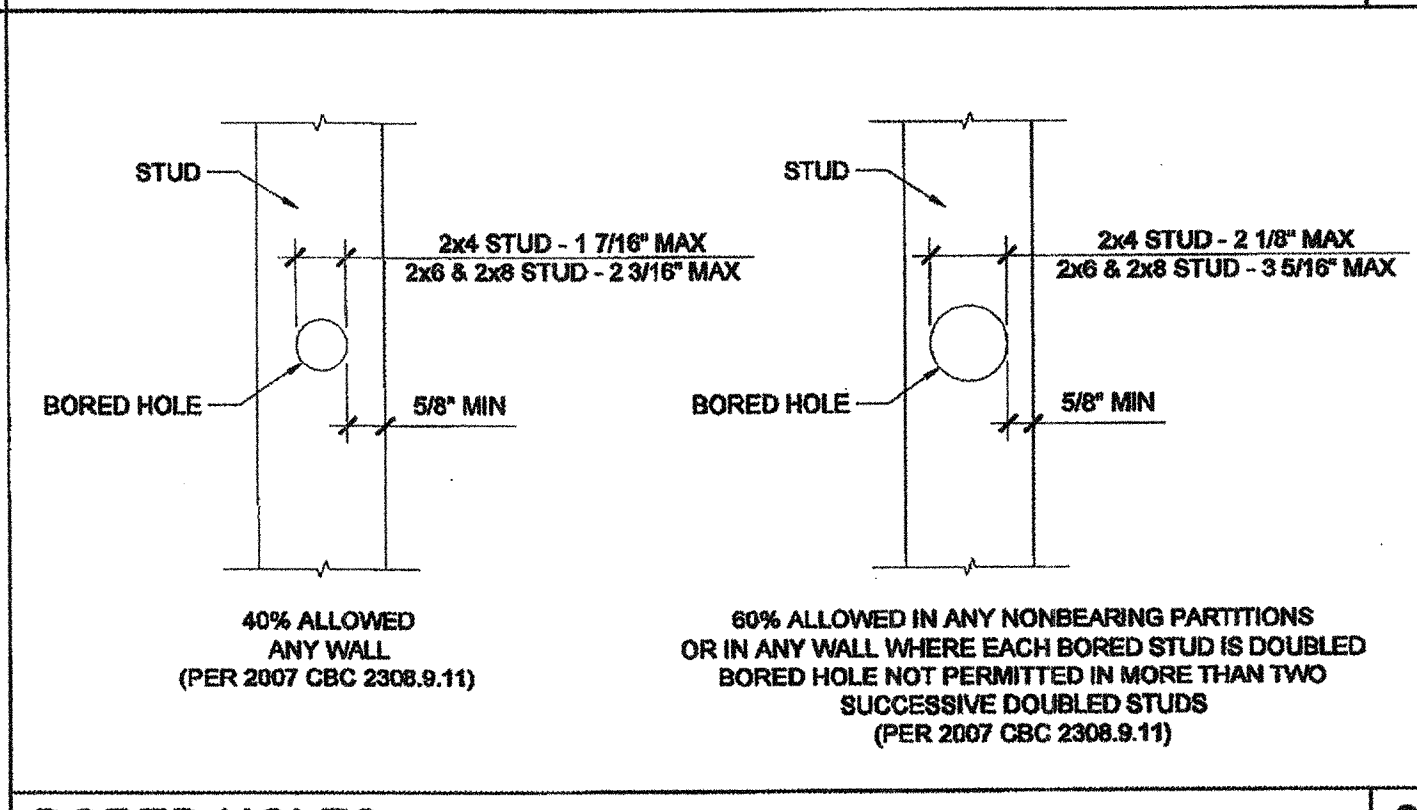


FULL HEIGHT INTERIOR PARTITION SCALE: 3" = 1'-0" 2

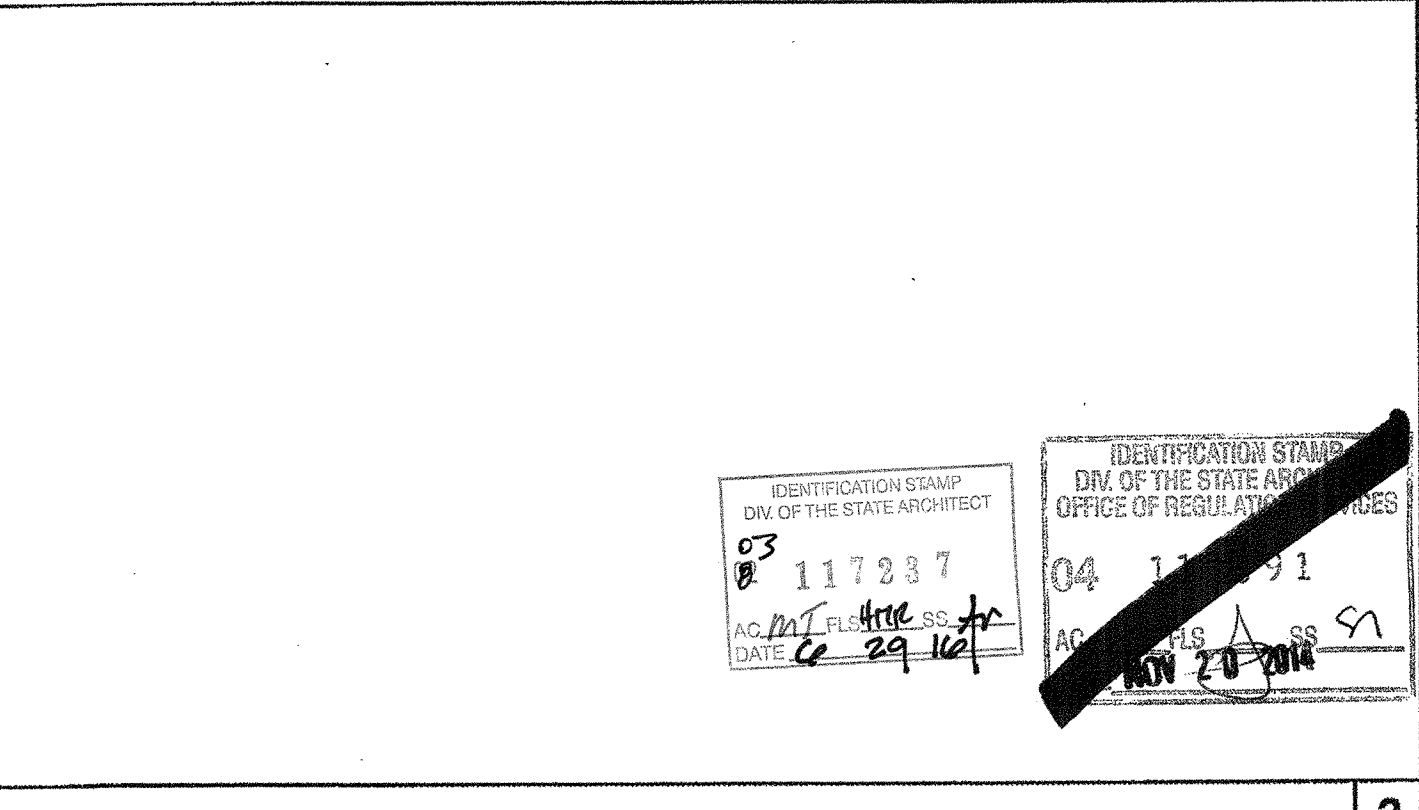
COLUMN HEIGHT	OPENING SIZE	EXT FINISH	HEADER			SILL			FULL HEIGHT KING STUD			
			NUMBER	SIZE	LUMBER TYPE	NUMBER	SIZE	LUMBER TYPE	NUMBER	SIZE	LUMBER TYPE	
LESS THAN 9'-6"	3070	NO PLASTER	(1)	2X6	HF #2	N/A	(1)	2X6	HF #2	(1)	2X6	HF #2
		NO PLASTER (OPT)	(1)	2X6	DF #2	N/A	(1)	2X6	DF #2	(1)	2X6	DF #2
		W/ PLASTER	(1)	2X6	HF #2	N/A	(1)	2X6	HF #2	(1)	2X6	HF #2
		W/ PLASTER (OPT)	(1)	2X6	DF #2	N/A	(1)	2X6	DF #2	(1)	2X6	DF #2
	4070	NO PLASTER	(1)	2X6	HF #2	N/A	(1)	2X6	HF #2	(1)	2X6	HF #2
		NO PLASTER (OPT)	(1)	2X6	DF #2	N/A	(1)	2X6	DF #2	(1)	2X6	DF #2
		W/ PLASTER	(1)	2X6	HF #2	N/A	(1)	2X6	HF #2	(1)	2X6	HF #2
		W/ PLASTER (OPT)	(1)	2X6	DF #2	N/A	(1)	2X6	DF #2	(1)	2X6	DF #2
6040	NO PLASTER	(1)	2X6	HF #2	(1)	2X6	HF #2	(2)	2X6	HF #2		
	NO PLASTER (OPT)	(1)	2X6	DF #2	(1)	2X6	DF #2	(1)	2X6	DF #2		
	W/ PLASTER	(1)	2X6	HF #2	(1)	2X6	HF #2	(2)	2X6	HF #2		
	W/ PLASTER (OPT)	(1)	2X6	DF #2	(1)	2X6	DF #2	(1)	2X6	DF #2		
6040	NO PLASTER	(1)	2X6	HF #2	(1)	2X6	HF #2	(2)	2X6	HF #2		
	NO PLASTER (OPT)	(1)	2X6	DF #2	(1)	2X6	DF #2	(2)	2X6	DF #2		
	W/ PLASTER	(1)	2X6	HF #2	(1)	2X6	HF #2	(2)	2X6	HF #2		
	W/ PLASTER (OPT)	(1)	2X6	DF #2	(1)	2X6	DF #2	(2)	2X6	DF #2		



BORED HOLES SCALE: 1 1/2" = 1'-0" 8



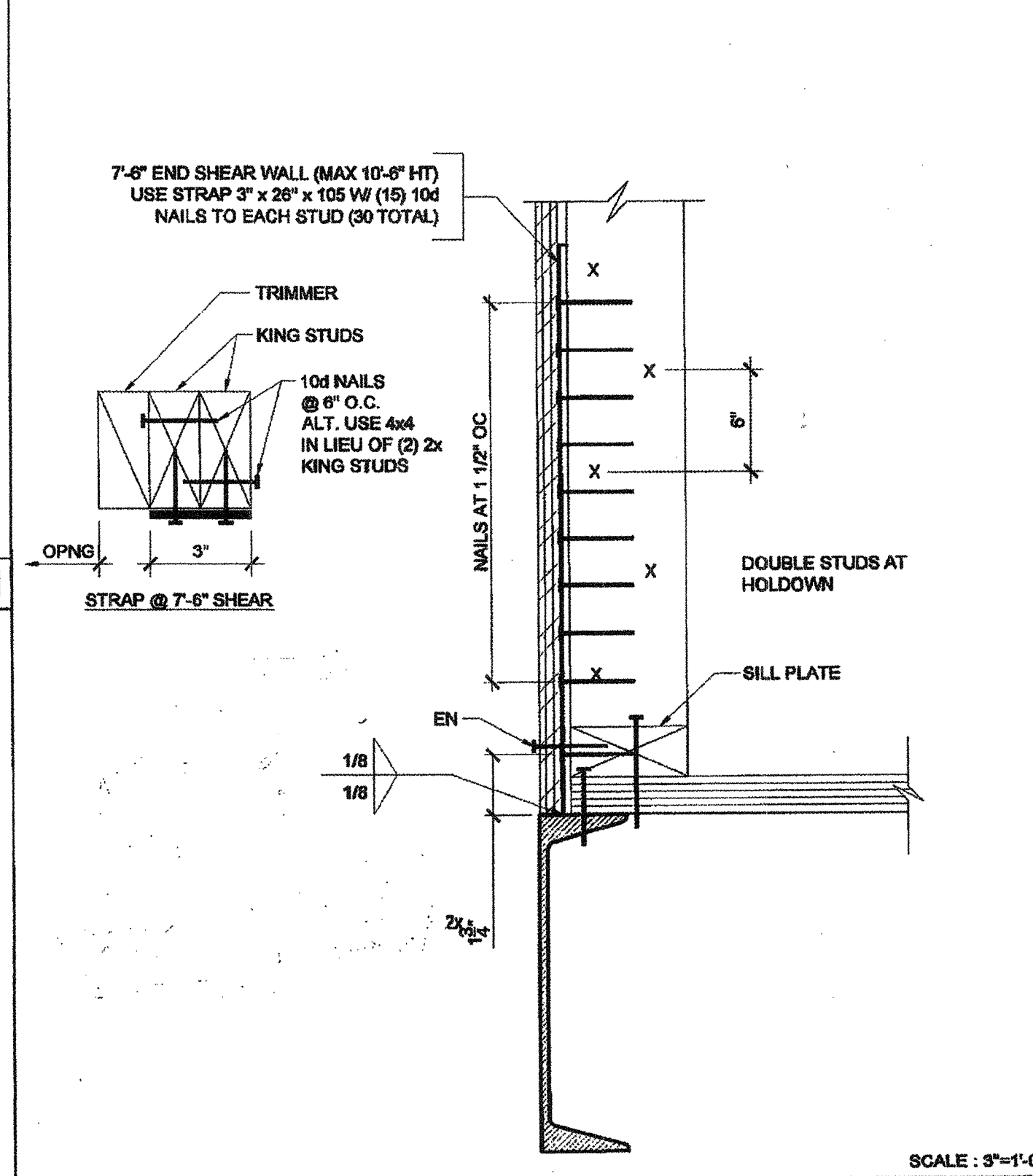
BORED HOLES SCALE: 1 1/2" = 1'-0" 8



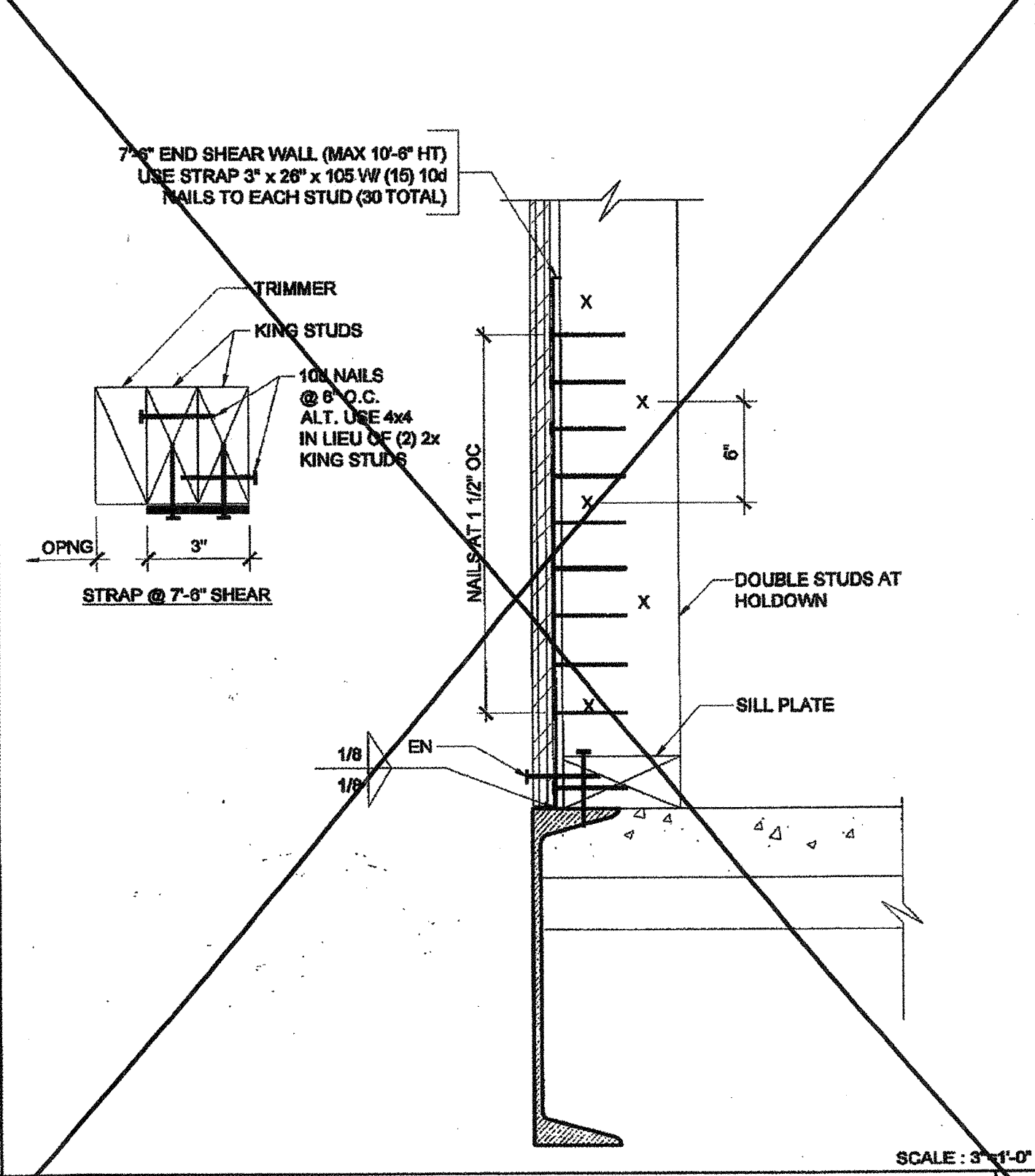
FULL HEIGHT INTERIOR PARTITION SCALE: 3" = 1'-0" 3

COLUMN HEIGHT	OPENING SIZE	EXT FINISH	WOOD WALL FRAMING			4' CORNER OF WOOD WALL FRAMING (ZONE 5)				
			NUMBER	SIZE	LUMBER TYPE	NUMBER	SIZE	LUMBER TYPE		
LESS THAN 9'-6"	3070	NO PLASTER	(1)	2X6	HF #2	24" OC	(1)	2X6	HF #2	24" OC
		NO PLASTER (OPT)	(1)	2X6	DF #2	24" OC	(1)	2X6	DF #2	24" OC
		W/ PLASTER	(1)	2X6	HF #2	24" OC	(1)	2X6	HF #2	24" OC
		W/ PLASTER (OPT)	(1)	2X6	DF #2	24" OC	(1)	2X6	DF #2	24" OC
4070	3070	NO PLASTER	(1)	2X6	HF #2	24" OC	(1)	2X6	HF #2	24" OC
		NO PLASTER (OPT)	(1)	2X6	DF #2	24" OC	(1)	2X6	DF #2	24" OC
		W/ PLASTER	(1)	2X6	HF #2	24" OC	(1)	2X6	HF #2	24" OC
		W/ PLASTER (OPT)	(1)	2X6	DF #2	24" OC	(1)	2X6	DF #2	24" OC
6040	3070	NO PLASTER	(1)	2X6	HF #2	24" OC	(1)	2X6	HF #2	24" OC
		NO PLASTER (OPT)	(1)	2X6	DF #2	24" OC	(1)	2X6	DF #2	24" OC
		W/ PLASTER	(1)	2X6	HF #2	24" OC	(1)	2X6	HF #2	24" OC
		W/ PLASTER (OPT)	(1)	2X6	DF #2	24" OC	(1)	2X6	DF #2	24" OC

2x6 OPENING STUDS SCHEDULE 19



ALT. HOLD DOWN AT ENDWALL OPENING - WOOD FLOOR 10



ALT. HOLD DOWN AT ENDWALL OPENING - CONCRETE FLOOR 5

COLUMN HEIGHT	OPENING SIZE	EXT FINISH	WOOD WALL FRAMING			4' CORNER OF WOOD WALL FRAMING (ZONE 5)				
			NUMBER	SIZE	LUMBER TYPE	NUMBER	SIZE	LUMBER TYPE		
LESS THAN 9'-6"	3070	NO PLASTER	(1)	2X6	HF #2	24" OC	(1)	2X6	HF #2	24" OC
		NO PLASTER (OPT)	(1)	2X6	DF #2	24" OC	(1)	2X6	DF #2	24" OC
		W/ PLASTER	(1)	2X6	HF #2	24" OC	(1)	2X6	HF #2	24" OC
		W/ PLASTER (OPT)	(1)	2X6	DF #2	24" OC	(1)	2X6	DF #2	24" OC
9'-6" TO 10'-6"	3070	NO PLASTER	(1)	2X6	HF #2	24" OC	(1)	2X6	HF #2	24" OC
		NO PLASTER (OPT)	(1)	2X6	DF #2	24" OC	(1)	2X6	DF #2	24" OC
		W/ PLASTER	(1)	2X6	HF #2	24" OC	(1)	2X6	HF #2	24" OC
		W/ PLASTER (OPT)	(1)	2X6	DF #2	24" OC	(1)	2X6	DF #2	24" OC

2x6 WALL FRAMING SCHEDULE 20

THESE DRAWINGS AND ALL MATERIAL CONTAINED HEREIN ARE THE PROPERTY OF SILVERCREEK INDUSTRIES, INC (SCI Inc) AND SHALL NOT BE REPRODUCED, COPIED OR OTHERWISE DISPOSED OF DIRECTLY OR INDIRECTLY AND SHALL NOT BE USED IN WHOLE OR IN PART TO ASSIST IN THE MAKING OF OR FOR THE PURPOSE OF FURNISHING ANY INFORMATION FOR THE MAKING OF DRAWINGS, PRINTS, APPARATUS OR PARTS THEREOF WITHOUT THE FULL KNOWLEDGE AND WRITTEN CONSENT OF SCI Inc. ALL PATENTABLE MATERIAL CONTAINED HEREIN AND ORIGINATING WITH SCI Inc SHALL BE THE PROPERTY OF SCI Inc.

SILVER CREEK INDUSTRIES, INC.

SILVER CREEK

195 EAST MORGAN PERRIS, CALIFORNIA 92571
PHONE: 951-943-5393 FAX: 951-943-2211

PROJECT NAME:

CLASS LEASING

WALL FRAMING DETAILS

WOOD STUDS

JAVARES ASSOCIATES

3033 HANCOCK BLVD SUITE 200
MIRAMONTE, CA 91764
www.javares.com

12/23/2011

ARCHITECT OF RECORD SUBMISSION

IDENTIFICATION STAMP
DIV. OF THE STATE ARCHITECT
OFFICE OF REGULATION SERVICES

03 117237
AC 11/23/11
DATE 12/29/11

04 117237
AC 11/23/11
DATE NOV 20 2011

PROJECT SPECIFIC STATE AGENCY APPROVAL

IDENTIFICATION STAMP
DIV. OF THE STATE ARCHITECT
OFFICE OF REGULATION SERVICES

04 117237
AC 11/23/11
DATE NOV 20 2011

ORIGINAL PC STATE AGENCY APPROVAL

IDENTIFICATION STAMP
DIV. OF THE STATE ARCHITECT
OFFICE OF REGULATION SERVICES

03 117237
AC 11/23/11
DATE DEC 29 2011

REVISIONS

SILVER CREEK INDUSTRIES
12' x 40' PC

PROJECT NO:

DRAWN BY:

SCALE: AS NOTED

DATE: 6-17-11

P.C. SHEET NUMBER

S-5.11 STKP 125