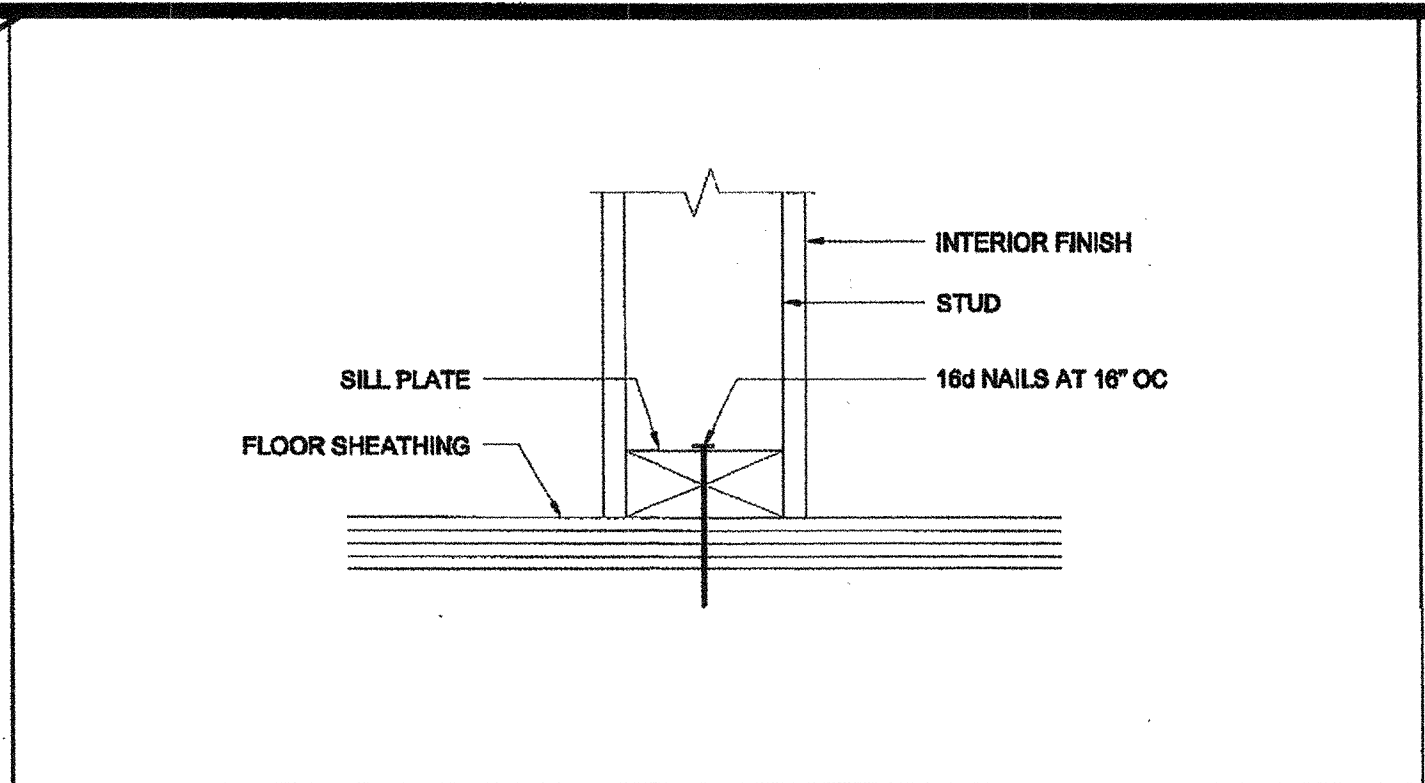
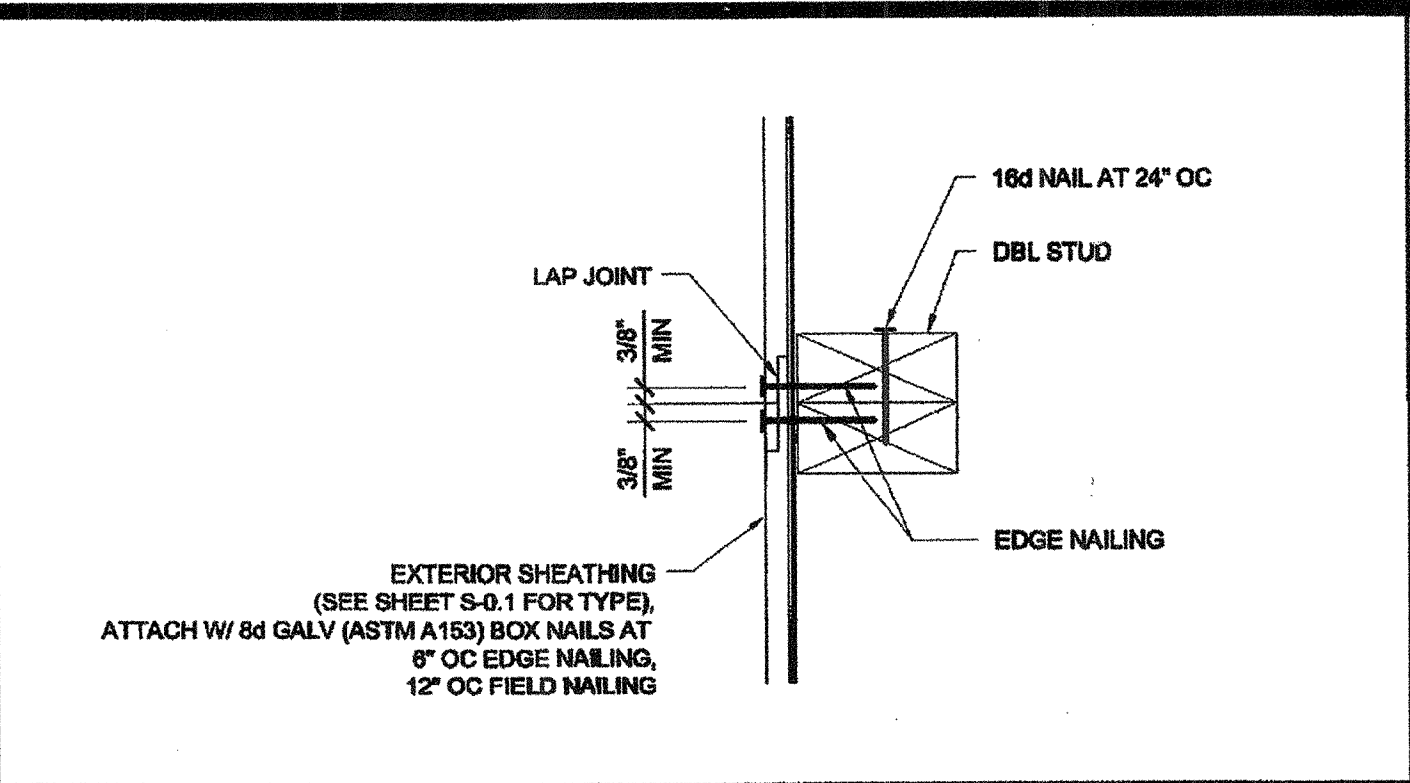


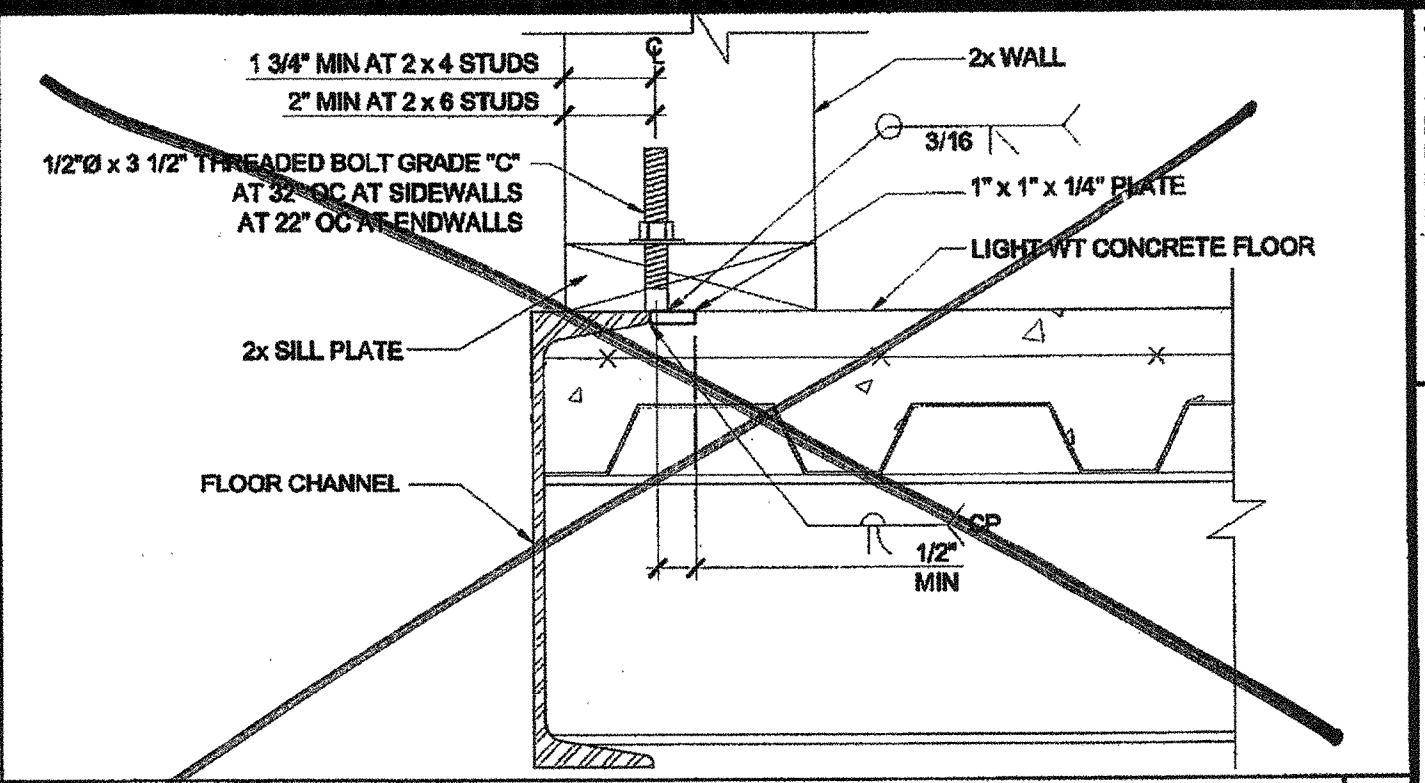
PARTITION CONNECTION AT CONC FLOOR SCALE: 3\"/>



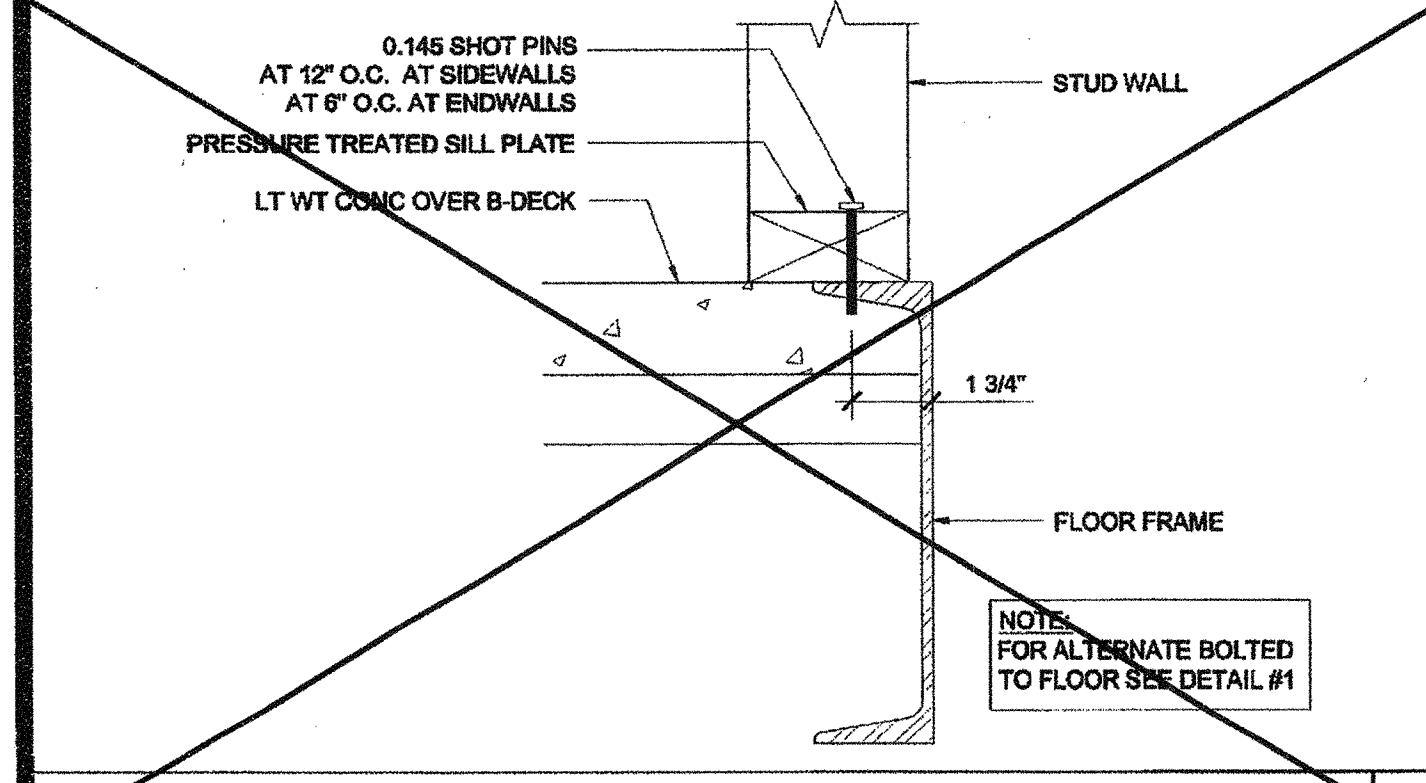
PARTITION CONNECTION AT WOOD FLOOR SCALE: 3\"/>



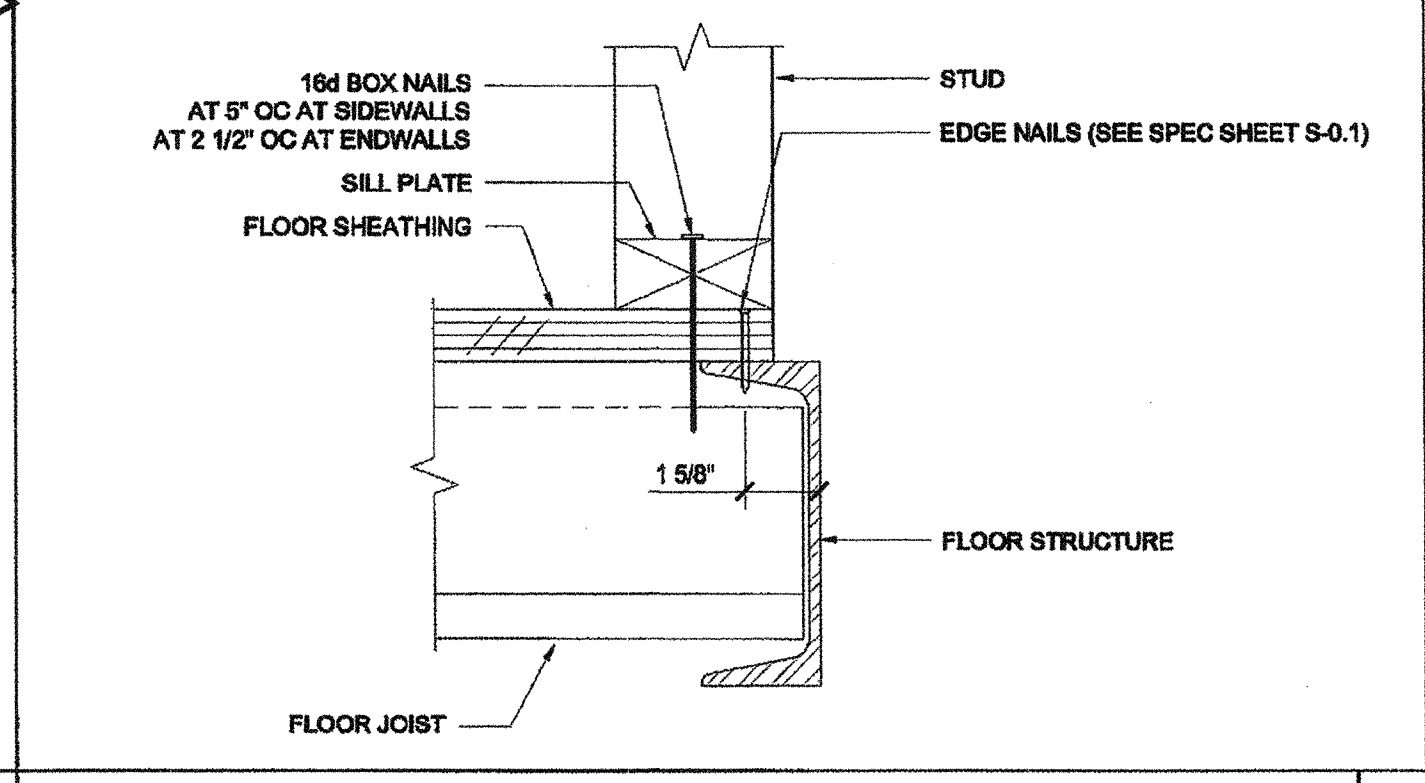
VERTICAL SHEATHING LAP JOINT SCALE: 3\"/>



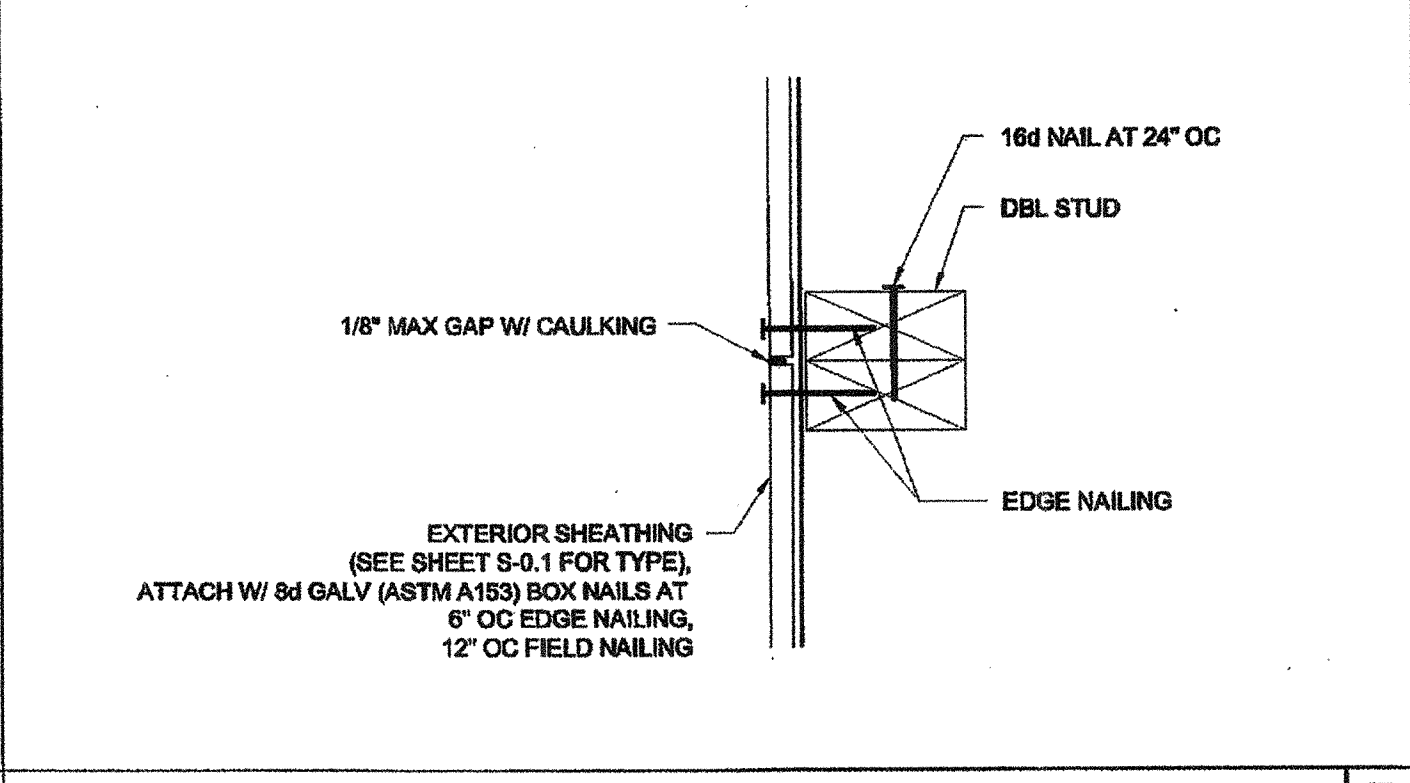
OPTIONAL BOLTED WALL TO FLOOR SCALE: NTS 1



WALL SILL AT CONCRETE FLOOR SCALE: 3\"/>



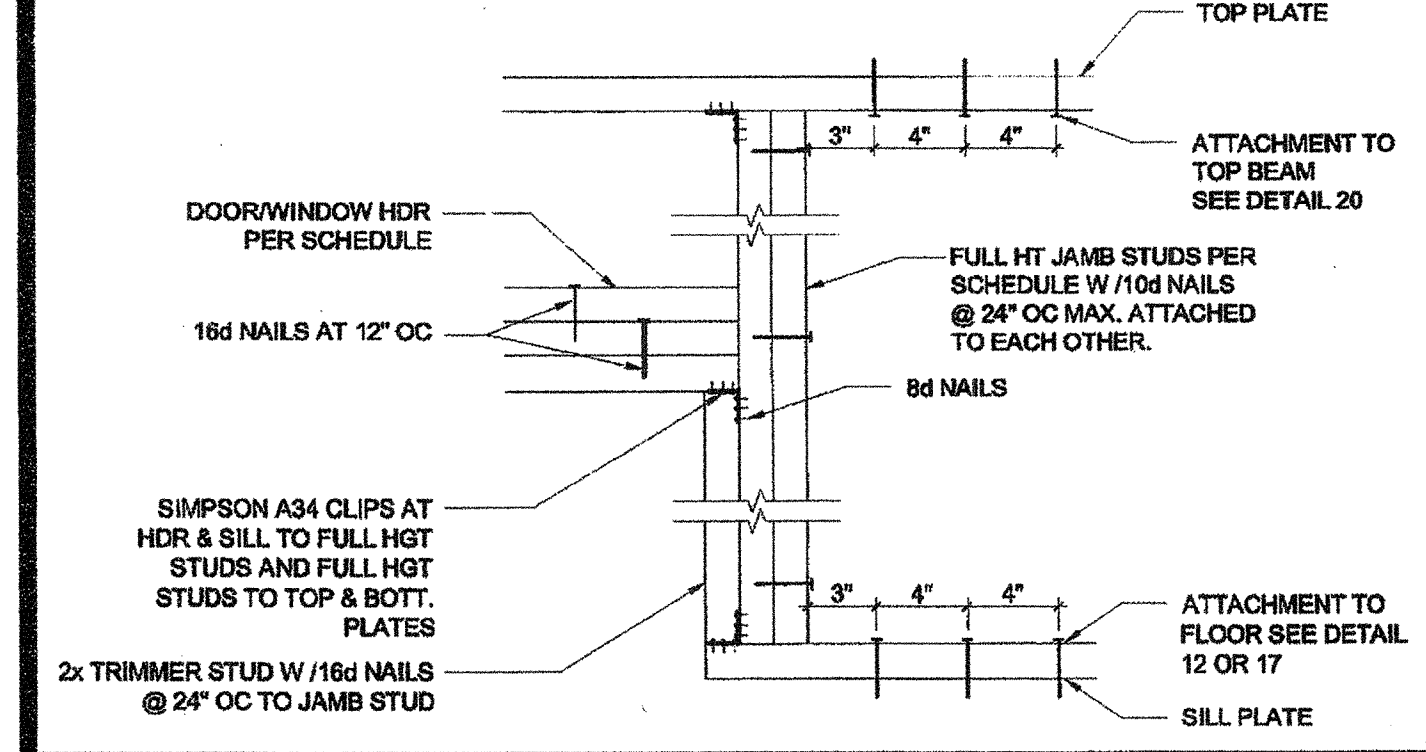
WALL SILL AT WOOD FLOOR SCALE: 3\"/>



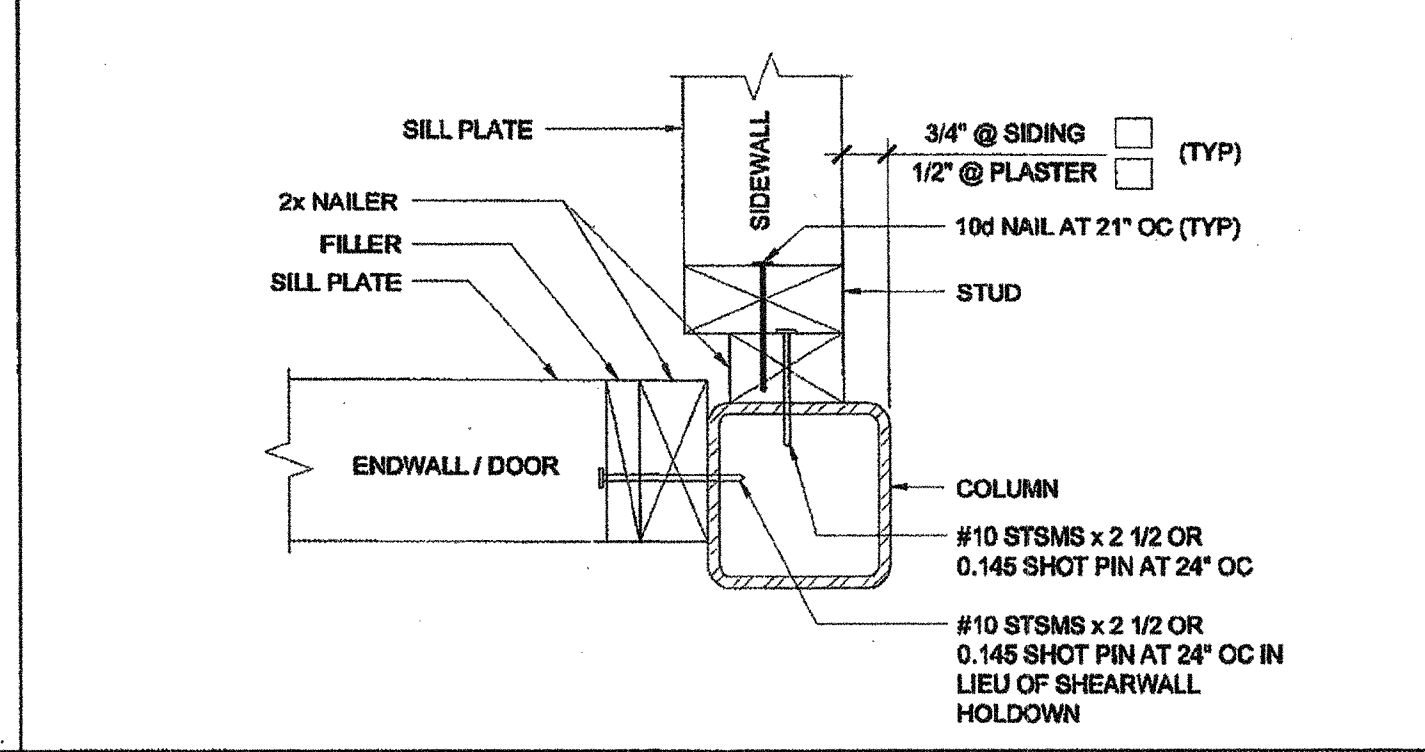
VERTICAL SHEATHING BUTT JOINT SCALE: 3\"/>

NOT USED

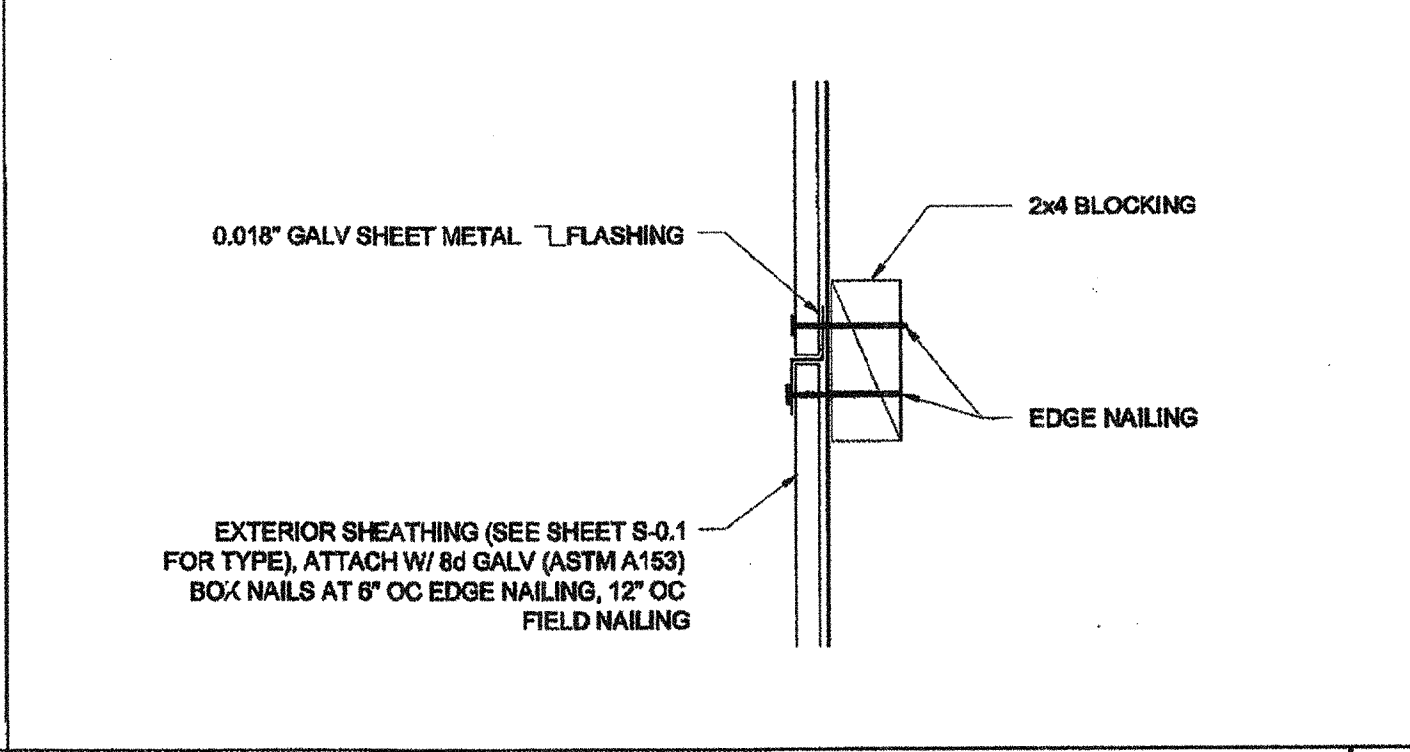
COLUMN HEIGHT	OPENING SIZE	EXT FINISH	HEADER			SILL			FULL HEIGHT KING STUD		
			NUMBER **	SIZE **	LUMBER TYPE	NUMBER **	SIZE **	LUMBER TYPE	NUMBER **	SIZE **	LUMBER TYPE
LESS THAN 9'-6"	3070	NO PLASTER	(1)	2X4	HF #2	N/A	N/A	(2)	2X4	HF #2	
		NO PLASTER (OPT)	(1)	2X4	DF #2	N/A	N/A	(1)	2X4	DF #2	
		W/ PLASTER	(1)	2X4	HF #2	N/A	N/A	(3)	2X4	HF #2	
4070	4070	NO PLASTER	(1)	2X4	HF #2	N/A	N/A	(2)	2X4	HF #2	
		NO PLASTER (OPT)	(1)	2X4	DF #2	N/A	N/A	(1)	2X4	DF #2	
		W/ PLASTER	(1)	2X4	HF #2	N/A	N/A	(3)	2X4	HF #2	
6040	6040	NO PLASTER	(1)	2X4	HF #2	(1)	2X4	HF #2	(2)	2X4	HF #2
		NO PLASTER (OPT)	(1)	2X4	DF #2	(1)	2X4	DF #2	(2)	2X4	DF #2
		W/ PLASTER	(2)	2X4	HF #2	(2)	2X4	HF #2	(4)	2X4	HF #2
8040	8040	NO PLASTER	(2)	2X4	HF #2	(2)	2X4	HF #2	(3)	2X4	HF #2
		NO PLASTER (OPT)	(2)	2X4	DF #2	(2)	2X4	DF #2	(2)	2X4	DF #2
		W/ PLASTER	(3)	2X4	HF #2	(3)	2X4	HF #2	(5)	2X4	HF #2



DOOR/WINDOW HEADER AND JAMB SCALE: 1 1/2\"/>



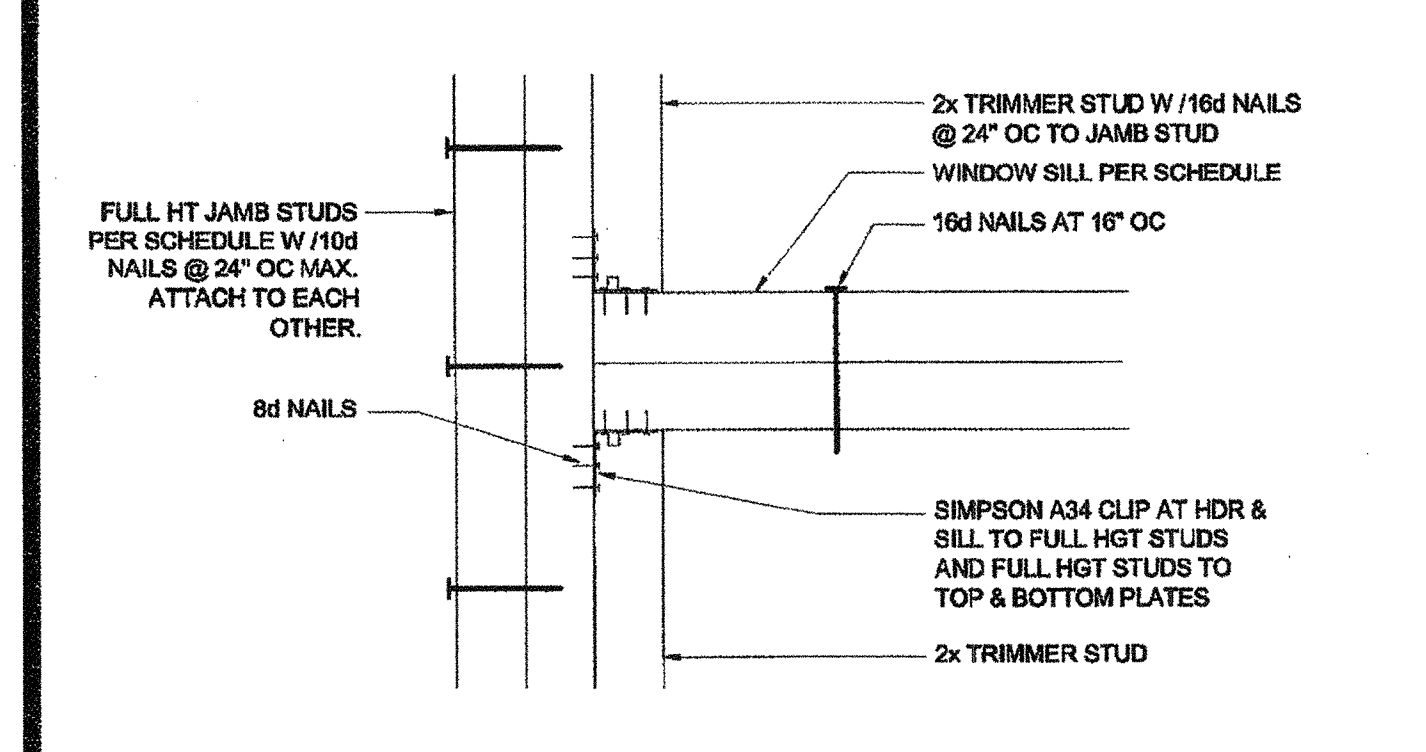
COLUMN AT ENDWALL SCALE: 3\"/>



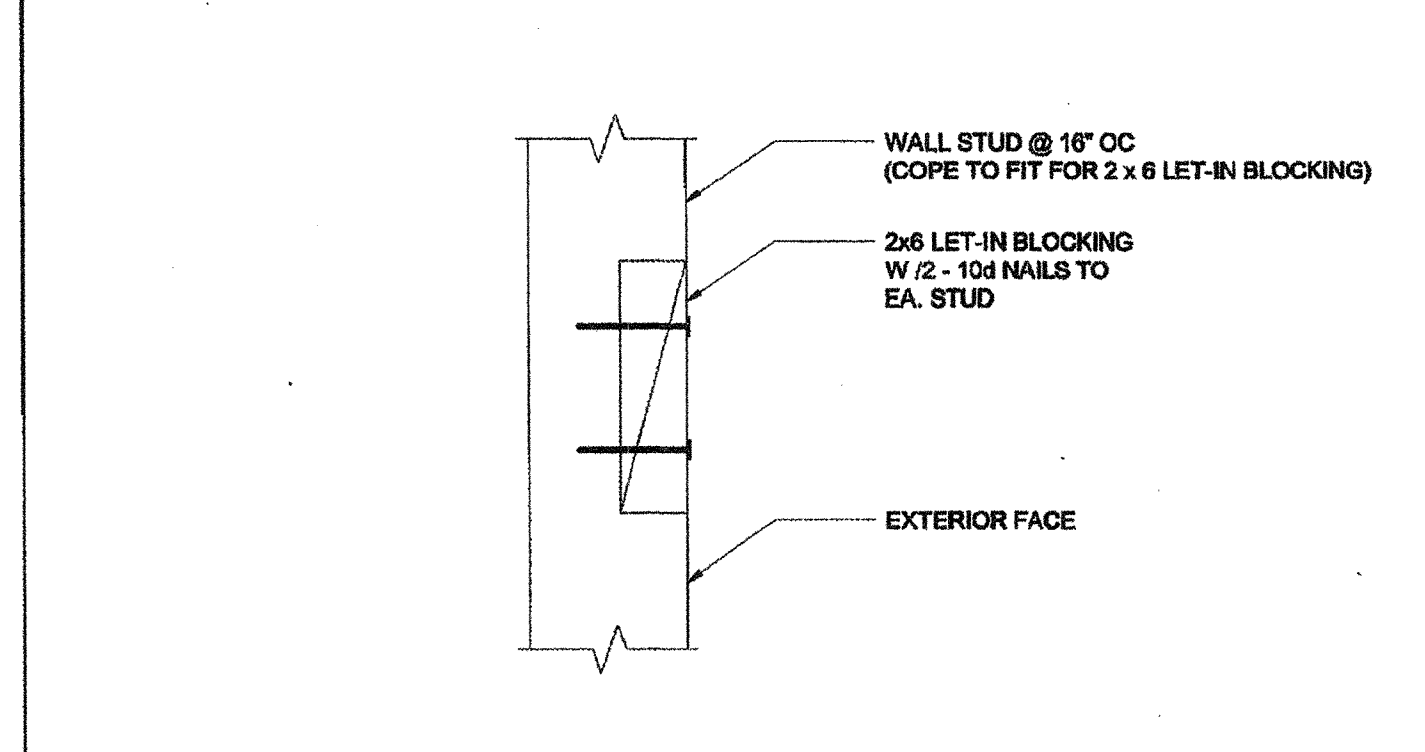
HORIZONTAL SHEATHING JOINT SCALE: 3\"/>

NOT USED

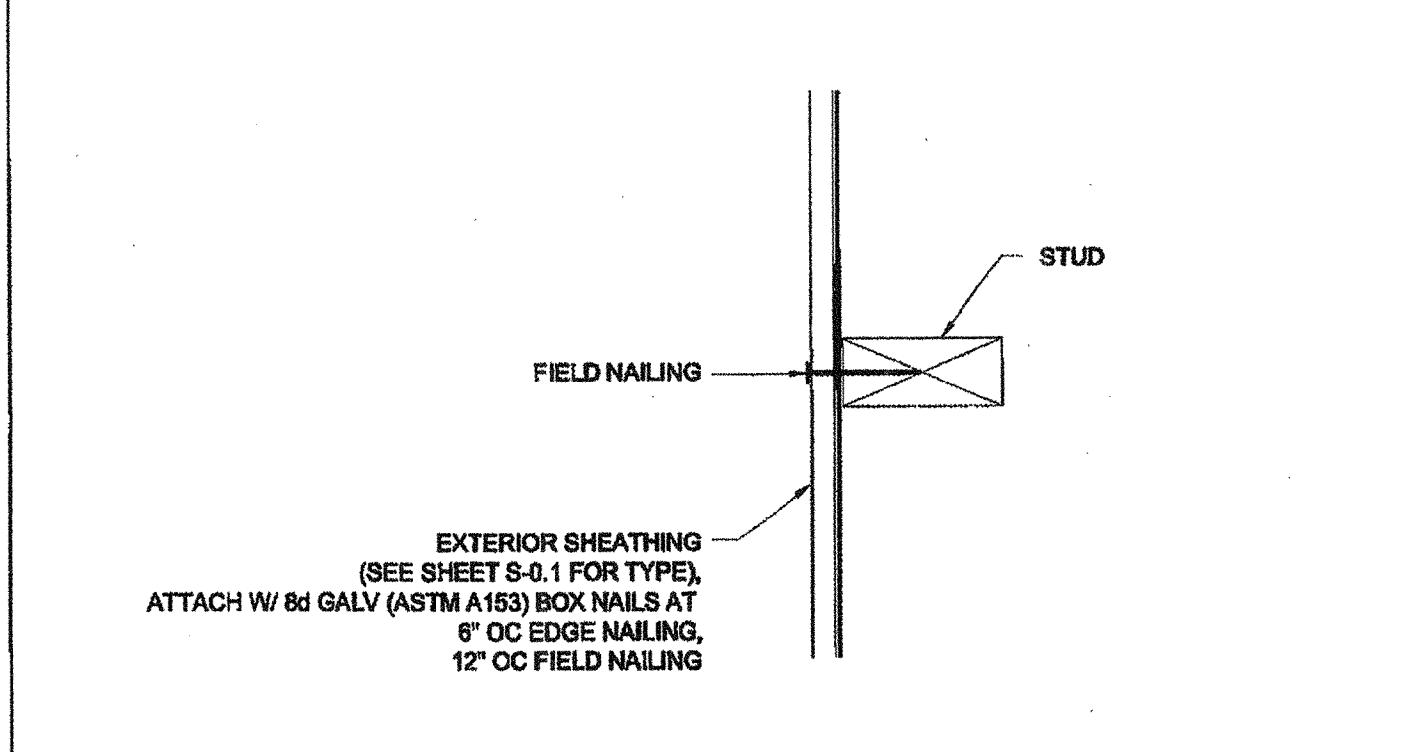
COLUMN HEIGHT	OPENING SIZE	EXT FINISH	HEADER			SILL			FULL HEIGHT KING STUD		
			NUMBER **	SIZE **	LUMBER TYPE	NUMBER **	SIZE **	LUMBER TYPE	NUMBER **	SIZE **	LUMBER TYPE
9'-6" TO 10'-6"	3070	NO PLASTER	(1)	2X4	HF #2	N/A	N/A	(2)	2X4	HF #2	
		NO PLASTER (OPT)	(1)	2X4	DF #2	N/A	N/A	(2)	2X4	DF #2	
		W/ PLASTER	(1)	2X4	HF #2	N/A	N/A	(4)	2X4	HF #2	
4070	4070	NO PLASTER	(1)	2X4	HF #2	N/A	N/A	(3)	2X4	DF #2	
		NO PLASTER (OPT)	(1)	2X4	DF #2	N/A	N/A	(2)	2X4	DF #2	
		W/ PLASTER	(1)	2X4	HF #2	N/A	N/A	(4)	2X4	HF #2	
6040	6040	NO PLASTER	(1)	2X4	HF #2	(2)	2X4	HF #2	(3)	2X4	HF #2
		NO PLASTER (OPT)	(1)	2X4	DF #2	(2)	2X4	DF #2	(3)	2X4	DF #2
		W/ PLASTER	(2)	2X4	HF #2	(2)	2X4	HF #2	(5)	2X4	HF #2
8040	8040	NO PLASTER	(2)	2X4	HF #2	(3)	2X4	HF #2	(3)	2X4	HF #2
		NO PLASTER (OPT)	(2)	2X4	DF #2	(3)	2X4	DF #2	(2)	2X4	DF #2
		W/ PLASTER	(4)	2X4	HF #2	(4)	2X4	HF #2	(6)	2X4	HF #2



WINDOW SILL AND JAMB SCALE: 3\"/>



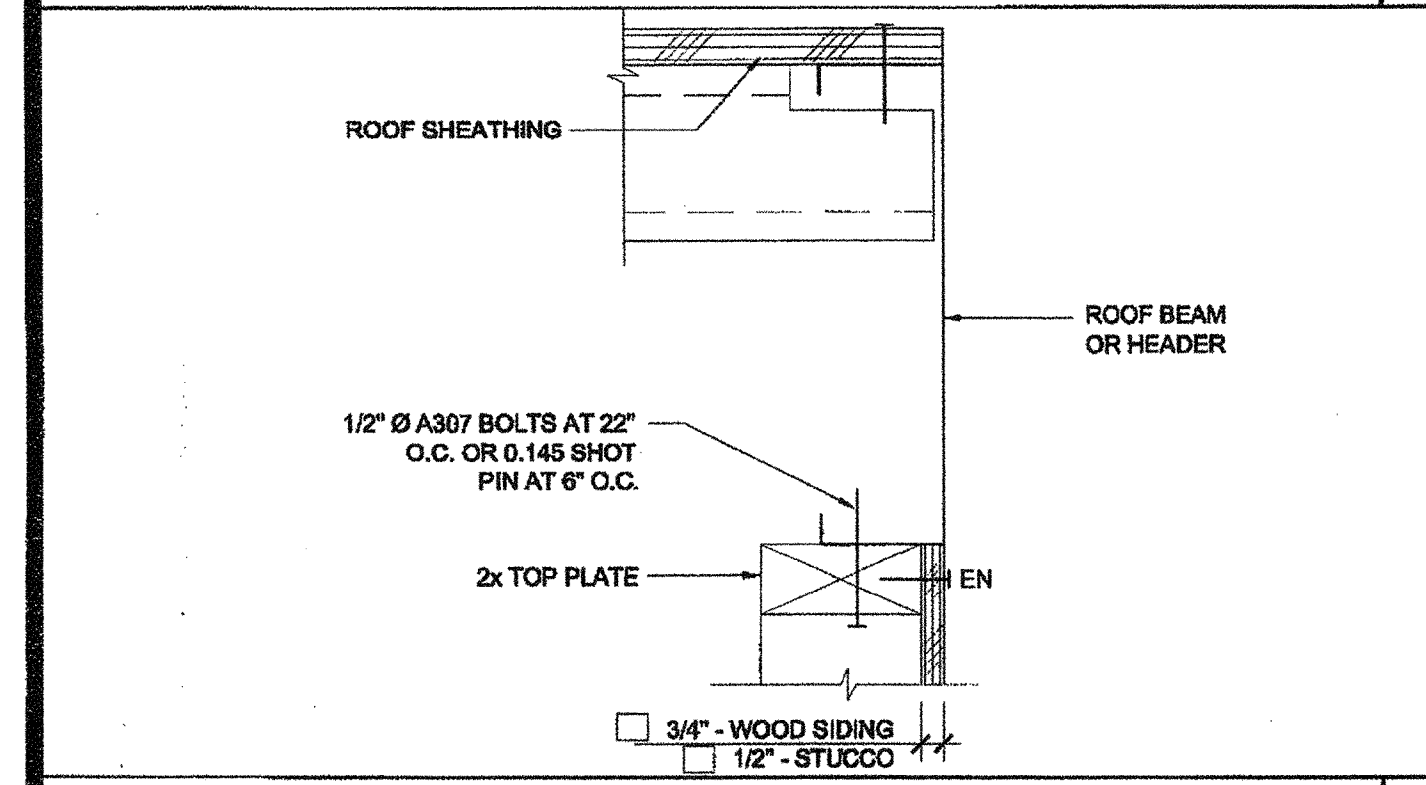
LET-IN BLOCK ATTACHMENT SCALE: 3\"/>



SECTION AT SHEATHING TO STUD ATTACHMENT SCALE: 3\"/>

OPENING STUDS SCHEDULE - 100 MPH

COLUMN HEIGHT	OPENING SIZE	EXT FINISH	WOOD WALL FRAMING			4' CORNER OF WOOD WALL FRAMING (ZONE B)				
			NUMBER **	SIZE **	LUMBER TYPE	OC	NUMBER **	SIZE **	LUMBER TYPE	OC
LESS THAN 9'-6"	3070	NO PLASTER	(1)	2X4	HF #2	16" OC	(1)	2X4	HF #2	16" OC
		NO PLASTER (OPT)	(1)	2X4	DF #2	16" OC	(1)	2X4	DF #2	16" OC
		W/ PLASTER	(1)	2X4	HF #2	16" OC	(1)	2X4	HF #2	12" OC
9'-6" TO 10'-6"	4070	NO PLASTER	(1)	2X4	HF #2	16" OC	(1)	2X4	HF #2	16" OC
		NO PLASTER (OPT)	(1)	2X4	DF #2	16" OC	(1)	2X4	DF #2	16" OC
		W/ PLASTER	(1)	2X4	HF #2	12" OC	(2)	2X4	HF #2	16" OC
6040	6040	NO PLASTER	(2)	2X4	HF #2	16" OC	(3)	2X4	HF #2	16" OC
		NO PLASTER (OPT)	(2)	2X4	DF #2	16" OC	(3)	2X4	DF #2	16" OC
		W/ PLASTER	(4)	2X4	HF #2	12" OC	(4)	2X4	HF #2	16" OC
8040	8040	NO PLASTER	(2)	2X4	HF #2	16" OC	(3)	2X4	HF #2	16" OC
		NO PLASTER (OPT)	(2)	2X4	DF #2	16" OC	(3)	2X4	DF #2	16" OC
		W/ PLASTER	(4)	2X4	HF #2	12" OC	(4)	2X4	HF #2	16" OC

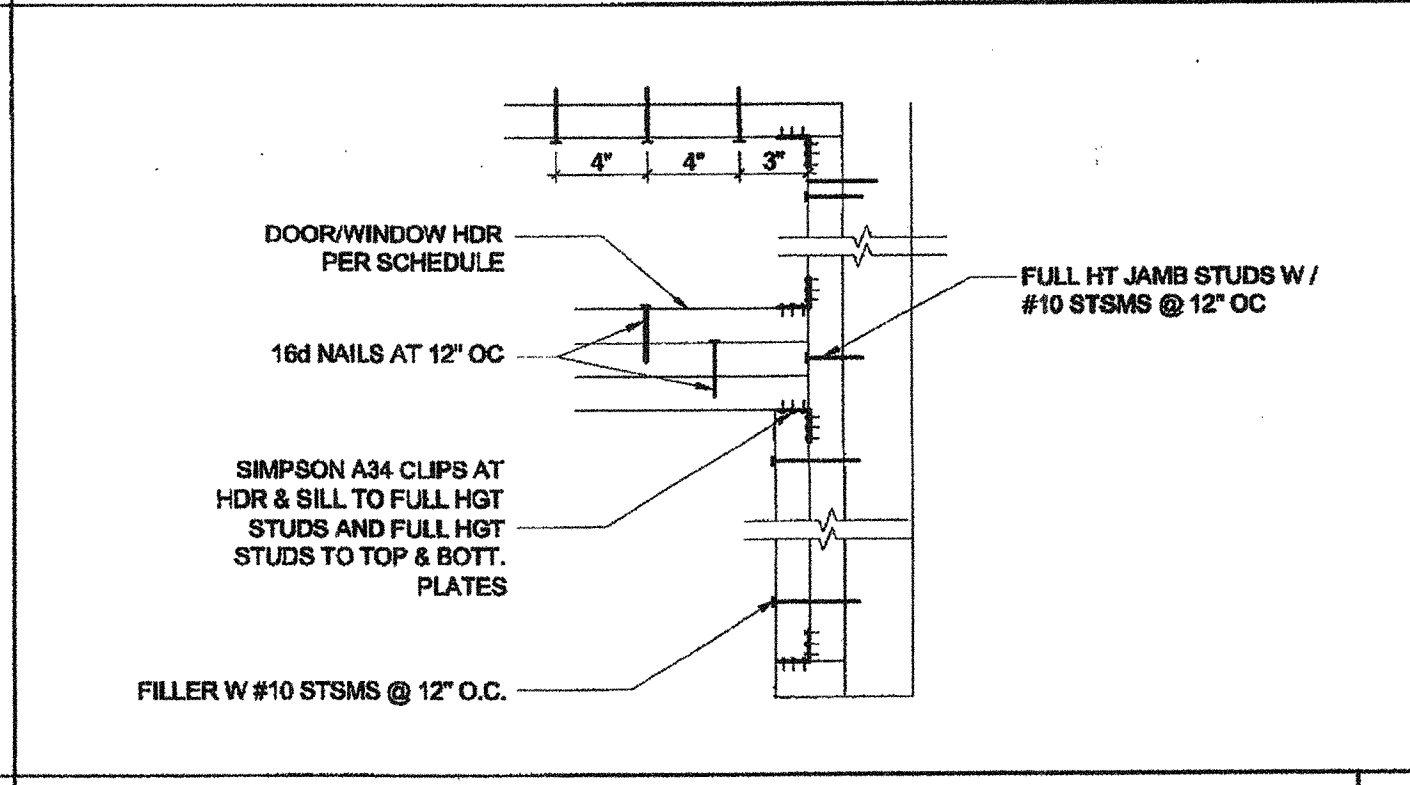


TOP PLATE AT ROOF BEAM SCALE: 3\"/>

ROUGH OPENING SCHEDULE

DOOR	WINDOW	STANDARD	WELDED FRAME
2070	26"	85"	28 1/4" 86 1/4"
3070	38"	85"	40 1/4" 86 1/4"
4070	50"	85"	52 1/4" 86 1/4"
8070	74"	85"	76 1/4" 86 1/4"
4040	47 3/4"	47 5/8"	52 1/4" 52 1/4"
6040	71 3/4"	47 5/8"	76 1/4" 76 1/4"
8040	95 3/4"	47 5/8"	100 1/4" 52 1/4"
6020	71 3/4"	23 5/8"	76 1/4" 28 1/4"
8020	95 3/4"	23 5/8"	100 1/4" 28 1/4"

ROUGH OPENING SCHEDULE SCALE: 3\"/>



DOOR/WINDOW HEADER @ COLUMN SCALE: 1 1/2\"/>

WALL FRAMING SCHEDULE - 100 MPH

COLUMN HEIGHT	OPENING SIZE	EXT FINISH	WOOD WALL FRAMING			4' CORNER OF WOOD WALL FRAMING (ZONE B)				
			NUMBER **	SIZE **	LUMBER TYPE	OC	NUMBER **	SIZE **	LUMBER TYPE	OC
LESS THAN 9'-6"	3070	NO PLASTER	(1)	2X4	HF #2	16" OC	(1)	2X4	HF #2	16" OC
		NO PLASTER (OPT)	(1)	2X4	DF #2	16" OC	(1)	2X4	DF #2	16" OC
		W/ PLASTER	(1)	2X4	HF #2	16" OC	(1)	2X4	HF #2	12" OC
9'-6" TO 10'-6"	4070	NO PLASTER	(1)	2X4	HF #2	16" OC	(1)	2X4	HF #2	16" OC
		NO PLASTER (OPT)	(1)	2X4	DF #2	16" OC	(1)	2X4	DF #2	16" OC
		W/ PLASTER	(1)	2X4	HF #2	12" OC	(2)	2X4	HF #2	16" OC
6040	6040	NO PLASTER	(2)	2X4	HF #2	16" OC	(3)	2X4	HF #2	16" OC
		NO PLASTER (OPT)	(2)	2X4	DF #2	16" OC	(3)	2X4	DF #2	16" OC
		W/ PLASTER	(4)	2X4	HF #2	12" OC	(4)	2X4	HF #2	16" OC

WALL FRAMING SCHEDULE - 100 MPH SCALE: 3\"/>

THESE DRAWINGS AND ALL MATERIAL CONTAINED HEREIN ARE THE PROPERTY OF SILVERCREEK INDUSTRIES, INC (SCI Inc) AND SHALL NOT BE REPRODUCED, COPIED OR OTHERWISE DISPOSED OF DIRECTLY OR INDIRECTLY AND SHALL NOT BE USED IN WHOLE OR IN PART TO ASSIST IN THE MAKING OF OR FOR THE PURPOSE OF FURNISHING ANY INFORMATION FOR THE MAKING OF DRAWINGS, PRINTS, APPARATUS OR PARTS THEREOF WITHOUT THE FULL KNOWLEDGE AND WRITTEN CONSENT OF SCI Inc. ALL PATENTABLE MATERIAL CONTAINED HEREIN AND ORIGINATING WITH SCI Inc SHALL BE THE PROPERTY OF SCI Inc

SILVER CREEK INDUSTRIES, INC.

"BUILDING FOR THE NEXT GENERATION"

SILVER CREEK

195 EAST MORGAN PERRIS, CALIFORNIA 92571
PHONE: 951-943-8393 FAX: 951-943-2211

PROJECT NAME:

CLASS LEASING

SHEET TITLE:

WALL FRAMING DETAILS WOOD STUDS

STAVARES ASSOCIATES

ARCHITECT OF RECORD

12/23/2011

PROJECT SPECIFIC STATE AGENCY APPROVAL

IDENTIFICATION STAMP DIV. OF THE STATE ARCHITECT OFFICE OF REGULATION SERVICES

04 11 2011

ORIGINAL PC STATE AGENCY APPROVAL

IDENTIFICATION STAMP DIV. OF THE STATE ARCHITECT OFFICE OF REGULATION SERVICES

04-112137

DATE DEC 9 2011

REVISIONS

SILVER CREEK INDUSTRIES 12 x 40' PC

PROJECT NO:

DRAWN BY:

SCALE: AS NOTED

DATE: 6-17-11

P.C. SHEET NUMBER

S-5.10

STKP 125