

THESE DRAWINGS AND ALL MATERIAL CONTAINED HEREIN ARE THE PROPERTY OF SILVERCREEK INDUSTRIES, INC. (SCI Inc) AND SHALL NOT BE REPRODUCED, COPIED OR OTHERWISE DISPOSED OF DIRECTLY OR INDIRECTLY AND SHALL NOT BE USED IN WHOLE OR IN PART TO ASSIST IN THE MAKING OF OR FOR THE PURPOSE OF FURNISHING ANY INFORMATION FOR THE MAKING OF DRAWINGS, PRINTS, APPARATUS OR PARTS THEREOF WITHOUT THE FULL KNOWLEDGE AND WRITTEN CONSENT OF SCI Inc. ALL PATENTABLE MATERIAL CONTAINED HEREIN AND ORIGINATING WITH SCI Inc SHALL BE THE PROPERTY OF SCI Inc.

SILVER CREEK INDUSTRIES, INC.

SILVER CREEK

"BUILDING FOR THE NEXT GENERATION"

195 EAST MORGAN PERRIS, CALIFORNIA 92571
PHONE: 951-943-5393 FAX: 951-943-2211

PROJECT NAME:

CLASS LEASING

SHEET TITLE:

ROOF DETAILS

0.018" STANDING SEAM ROOF DECK

STAVARES ARCHITECTS

ARCHITECT OF RECORD

12/23/2011

ARCHITECT OF RECORD SUBMISSION

IDENTIFICATION STAMP

04 11 3 11

DATE: AUG 9 9 2011

ORIGINAL PC STATE AGENCY APPROVAL

IDENTIFICATION STAMP

PC 04-112137

DATE: DEC 9 9 2011

REVISIONS

SILVER CREEK INDUSTRIES
12' x 40' PC

PROJECT NO:

DRAWN BY:

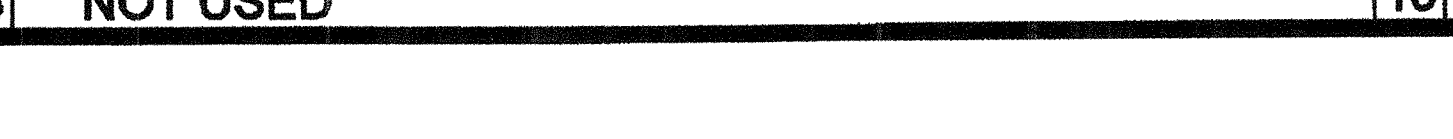
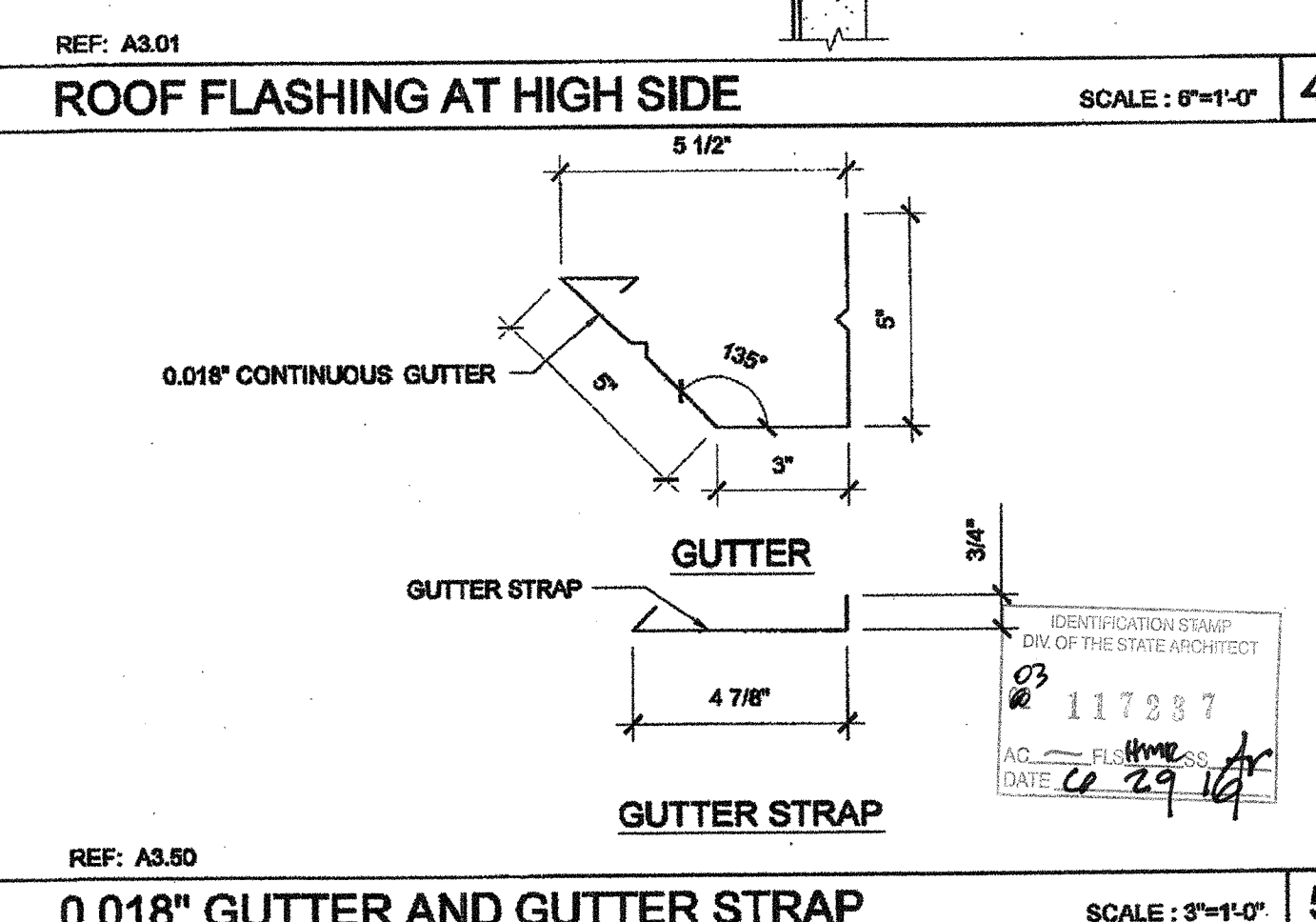
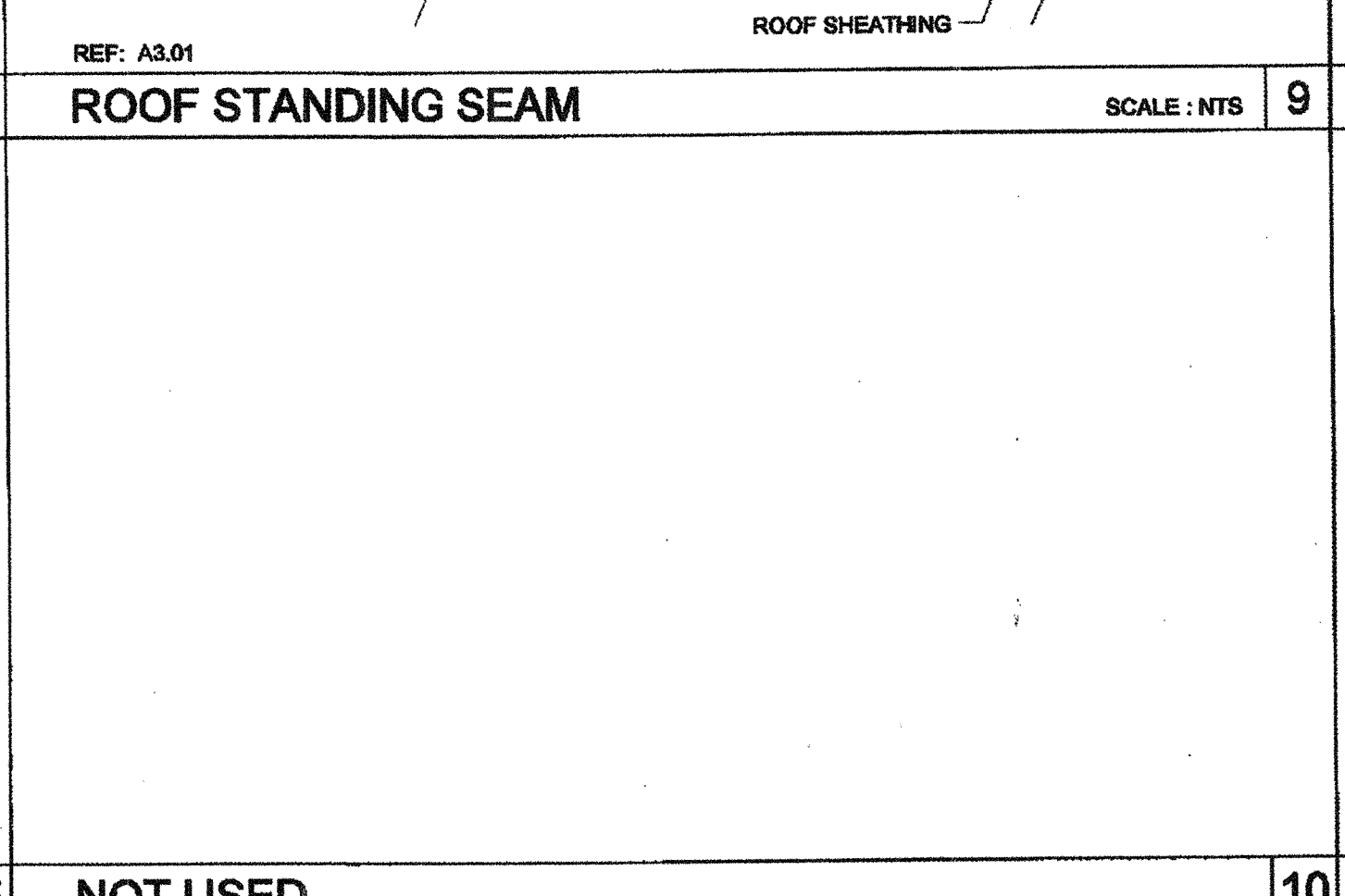
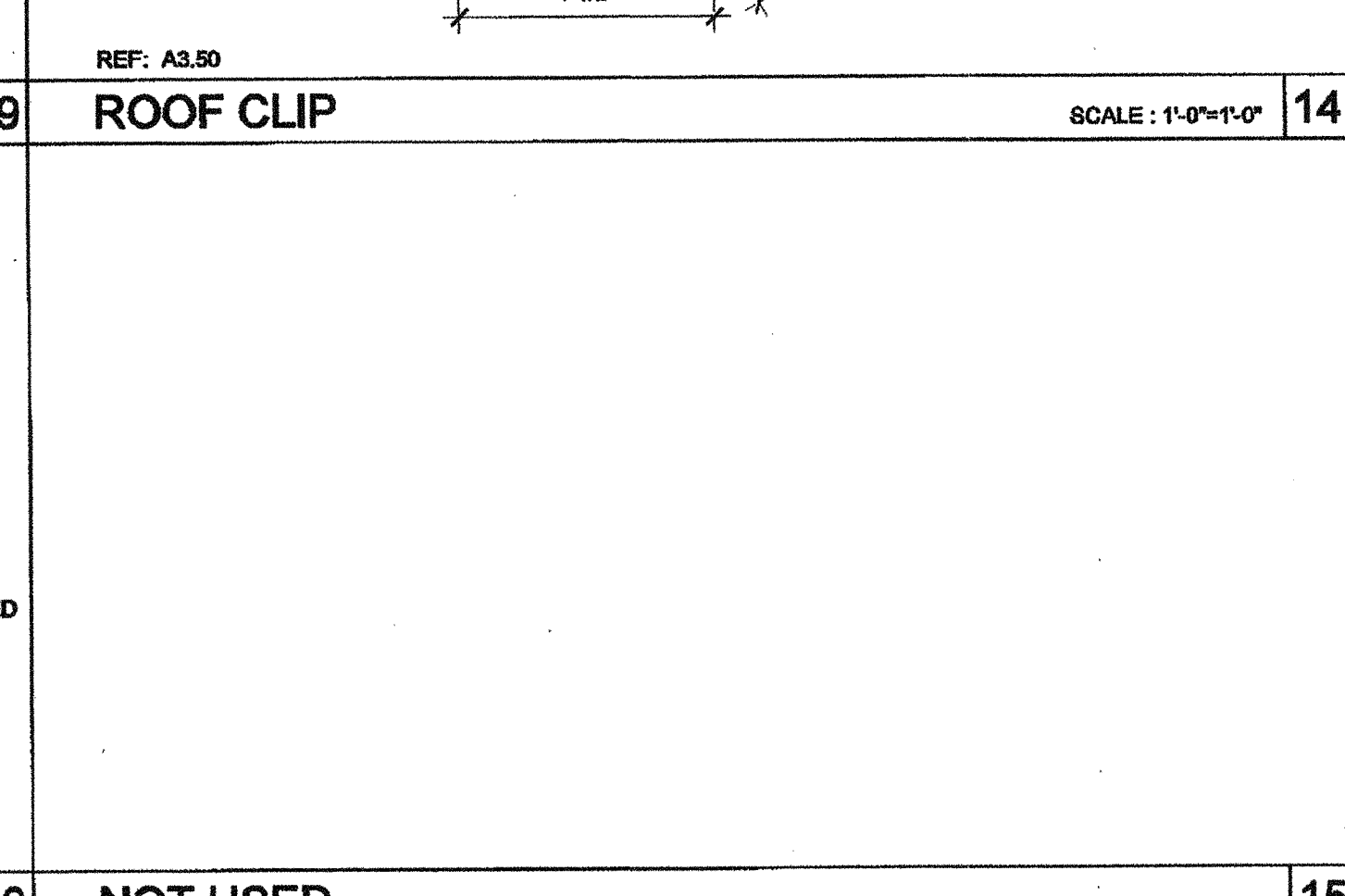
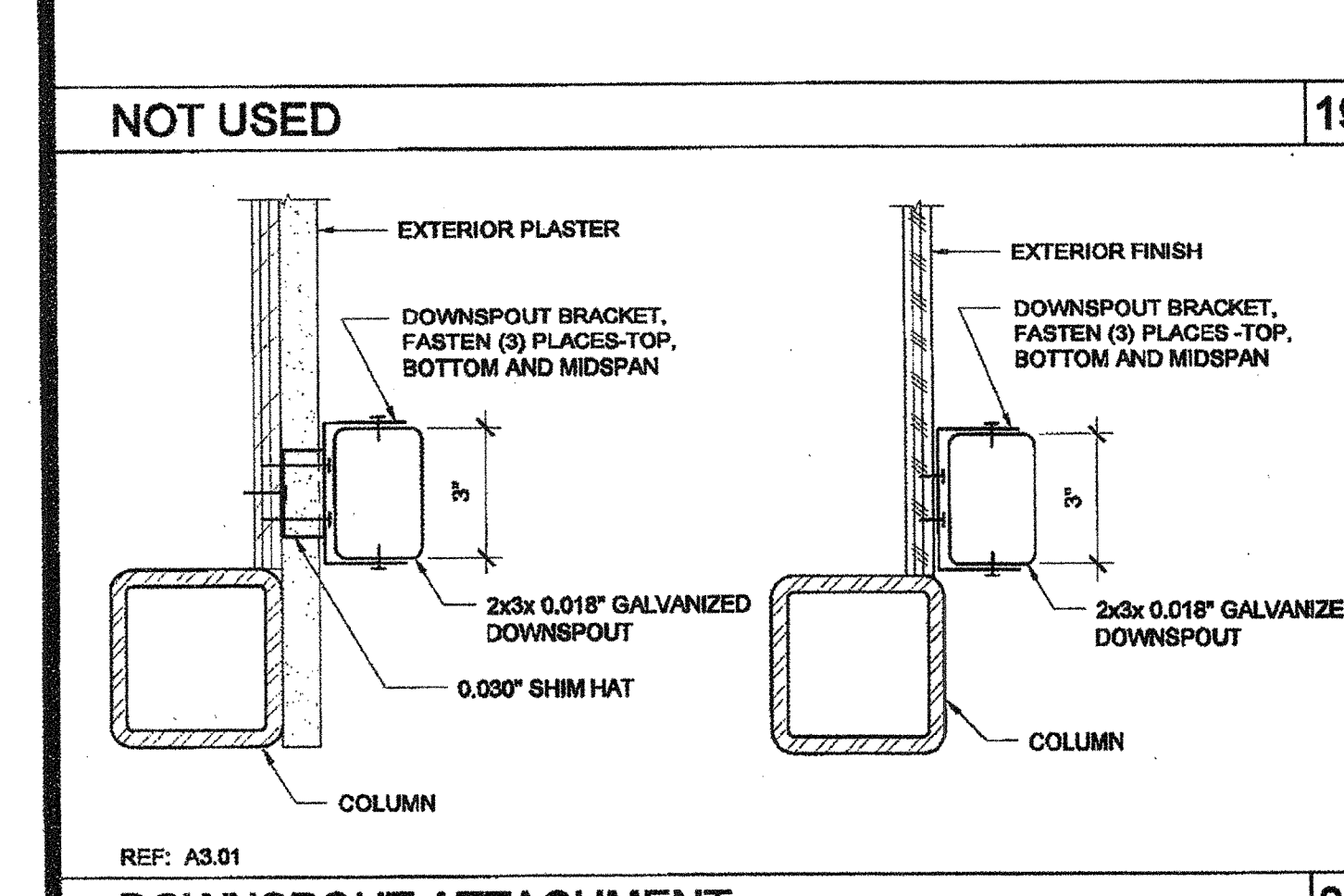
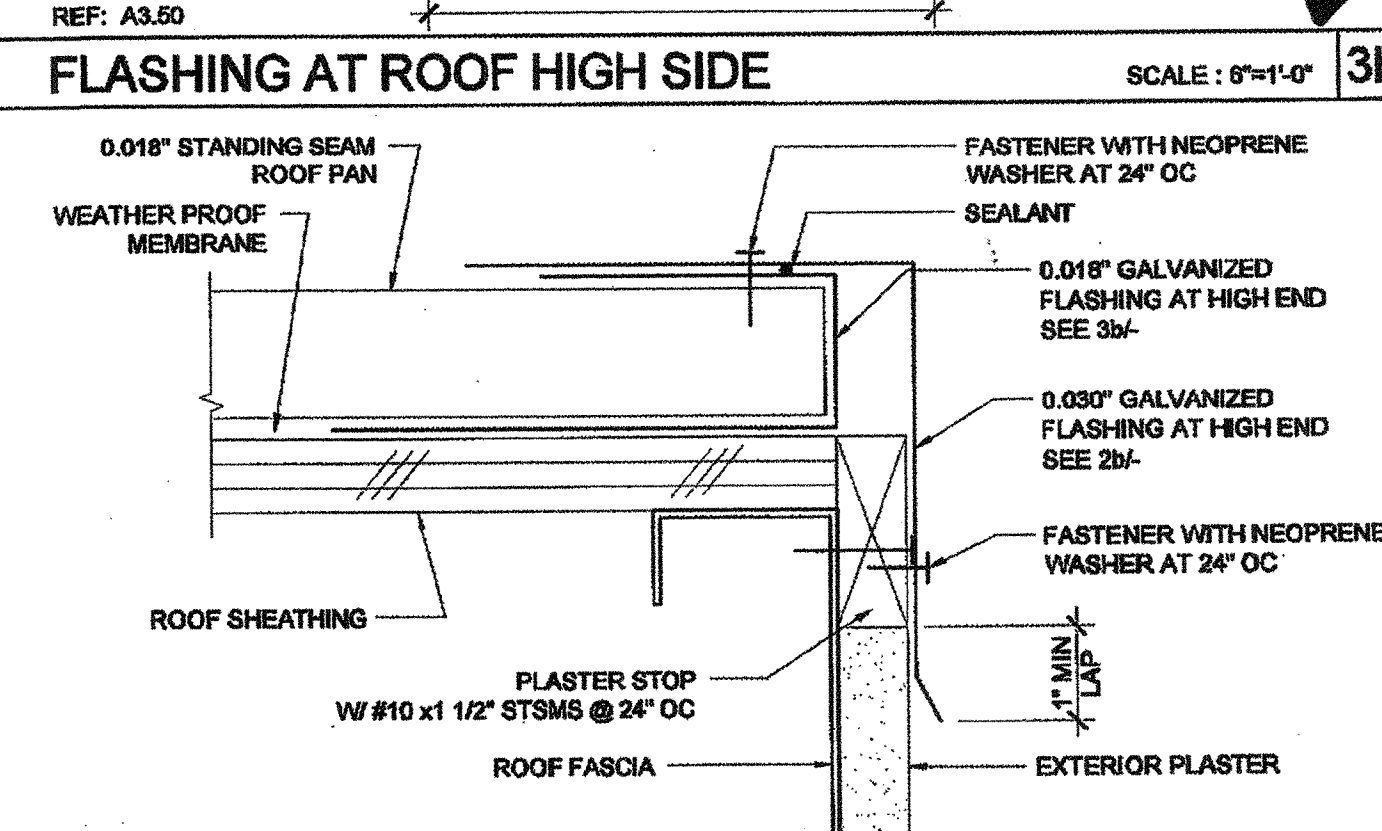
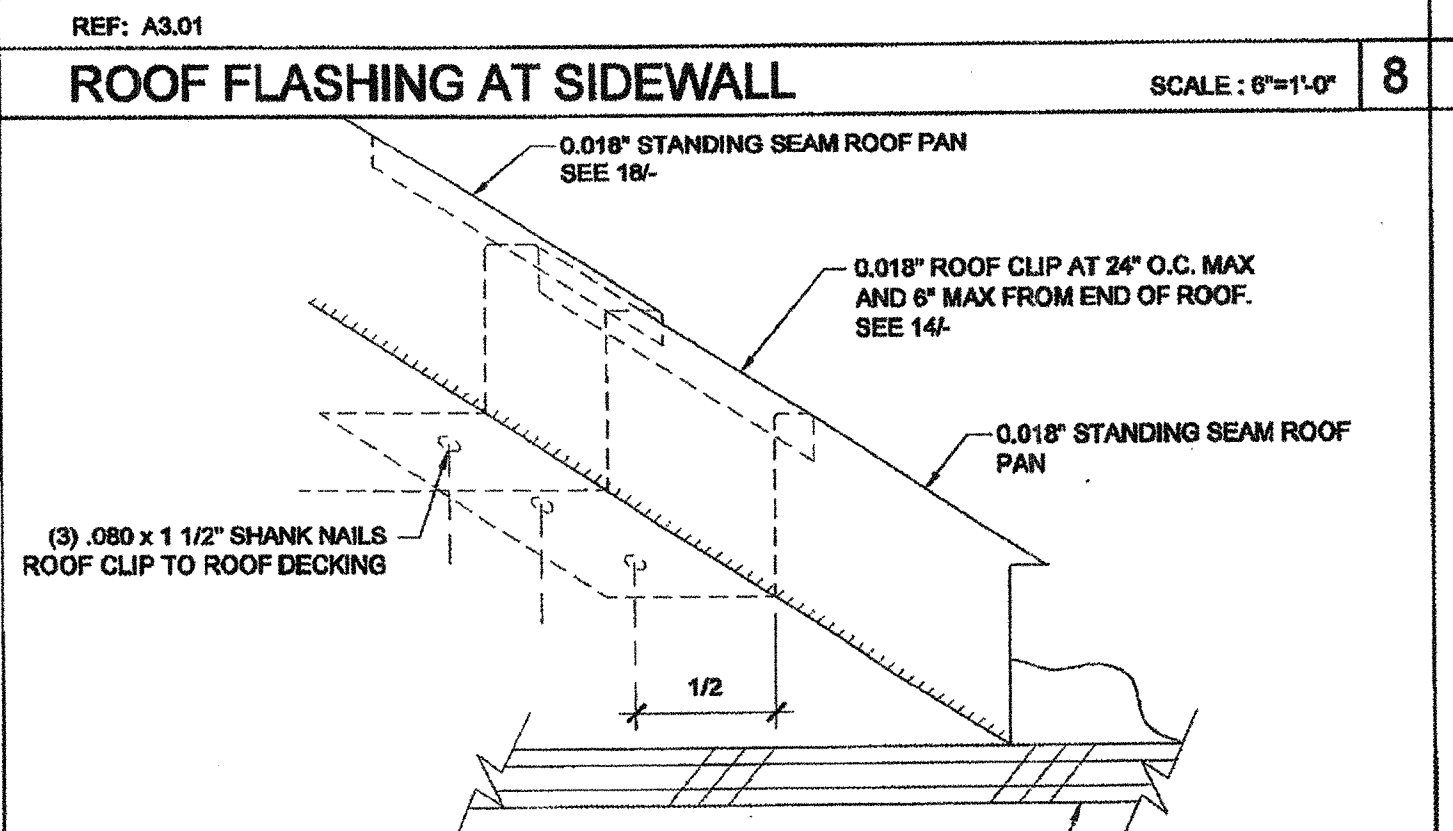
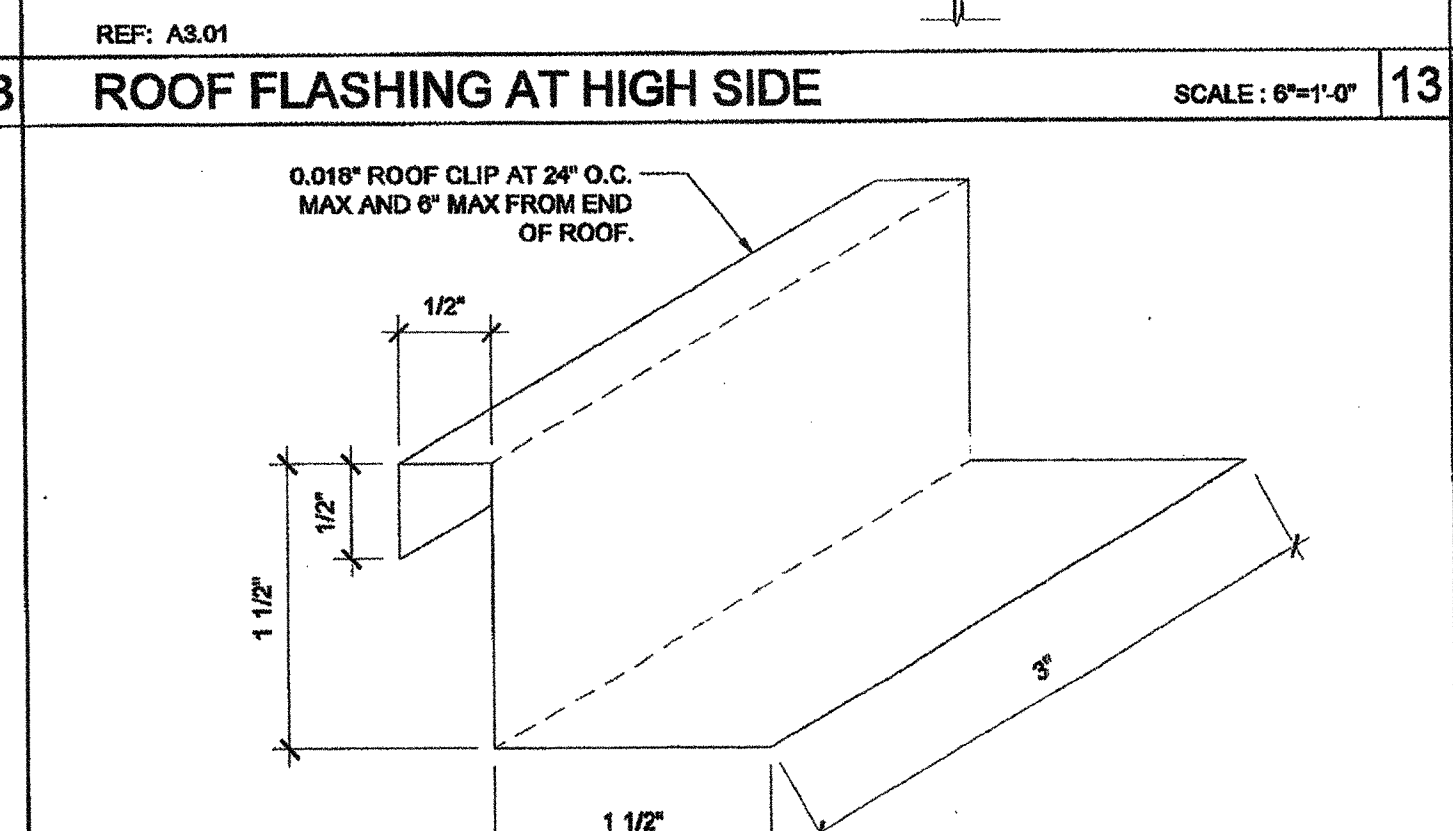
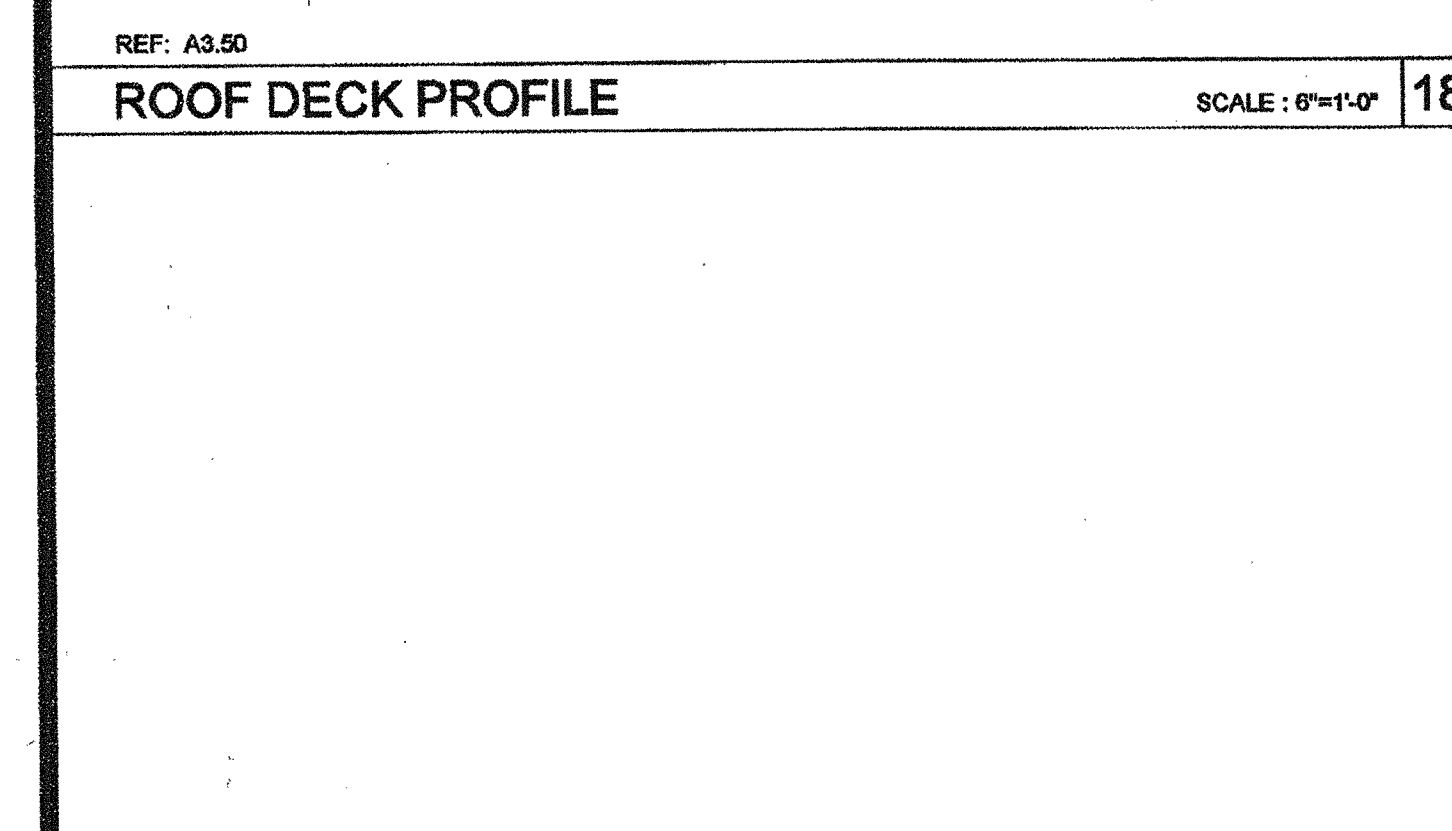
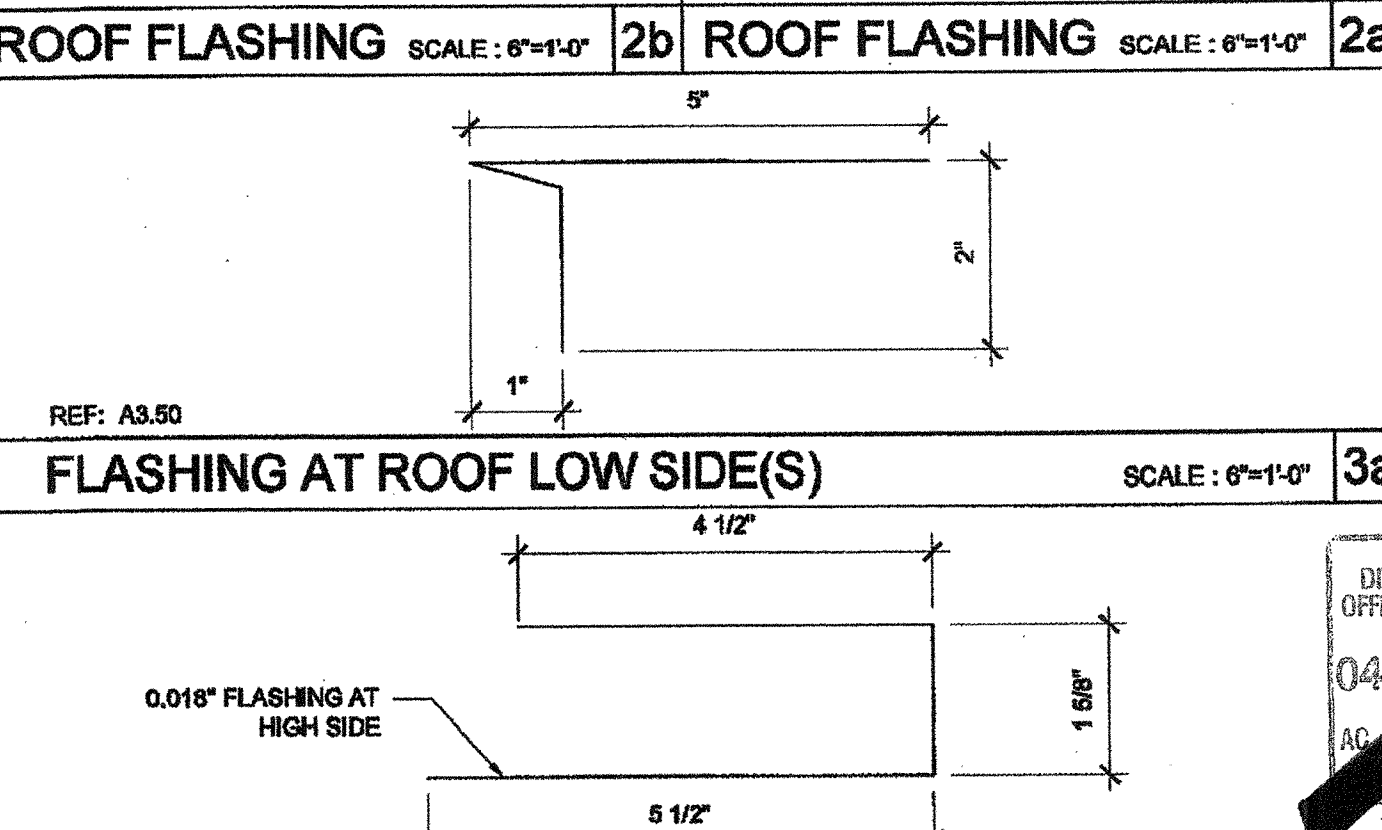
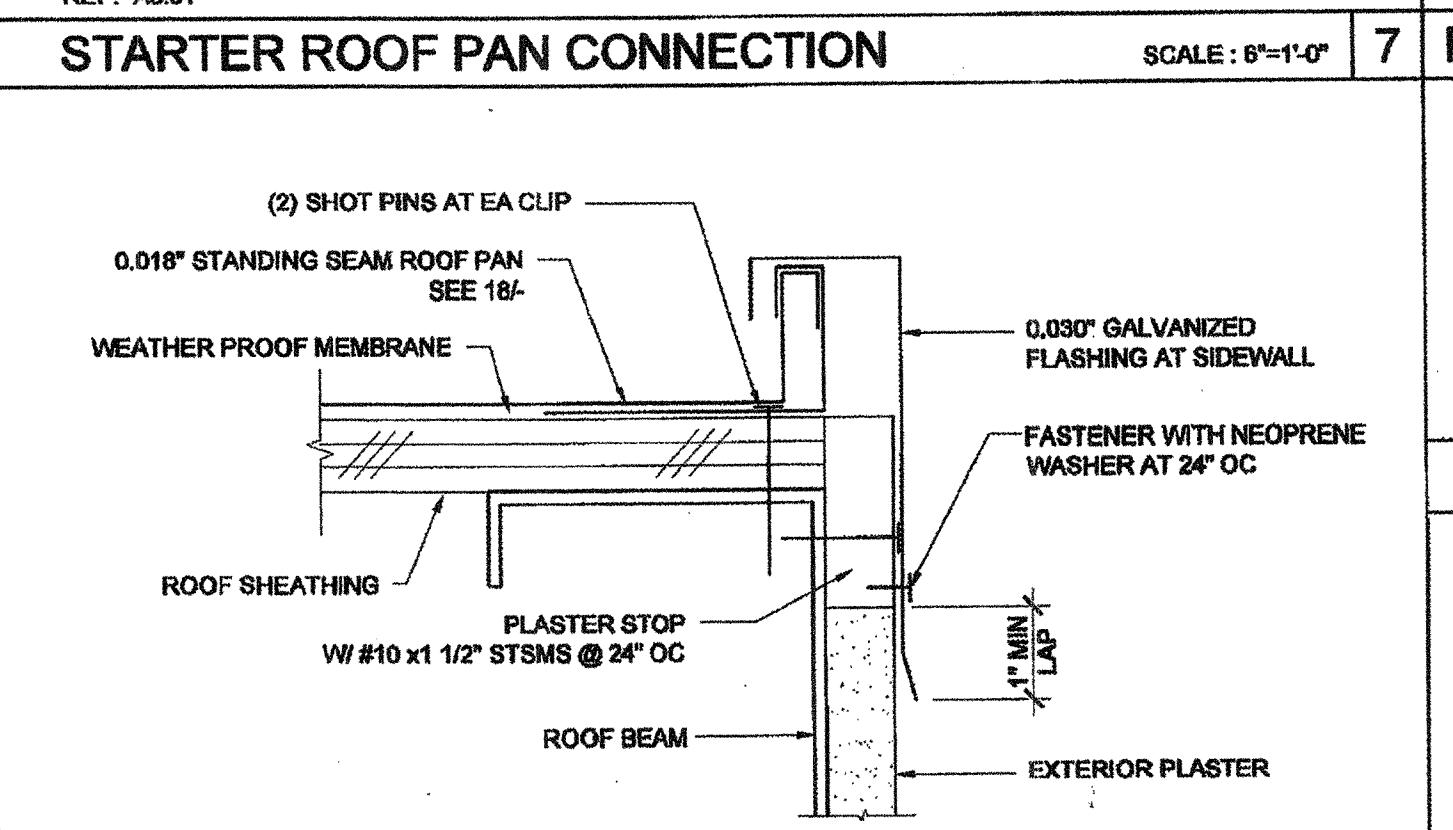
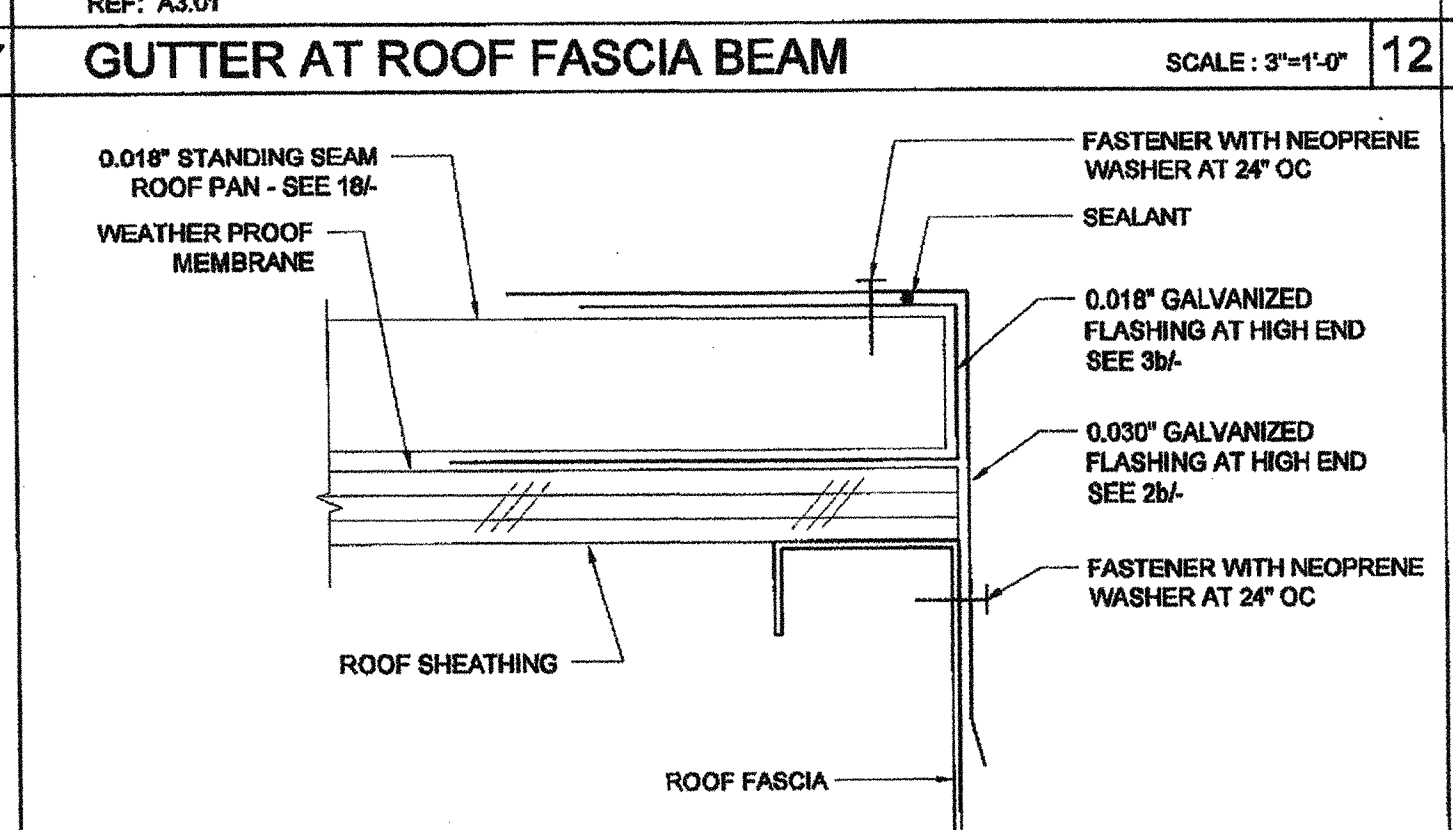
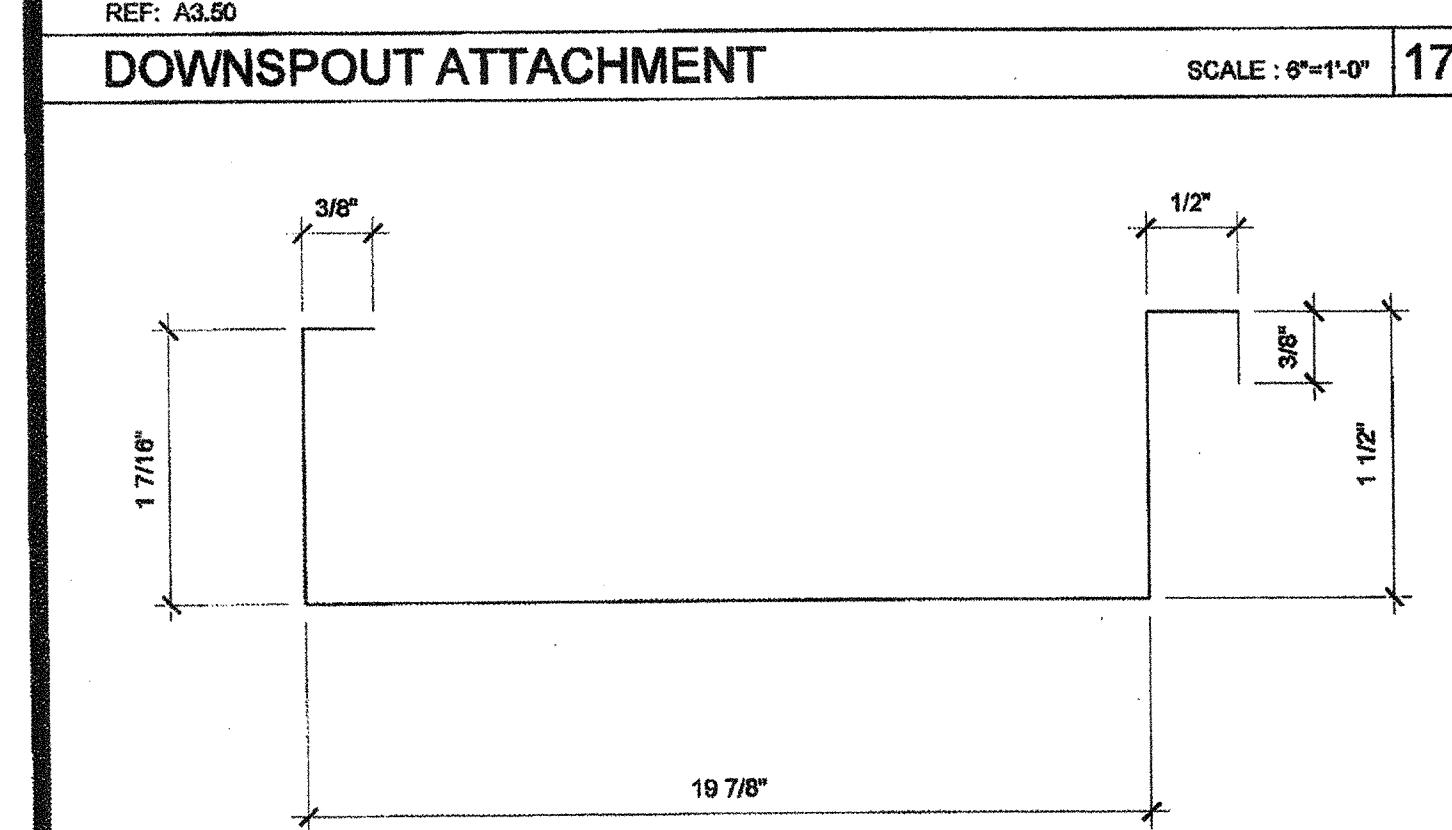
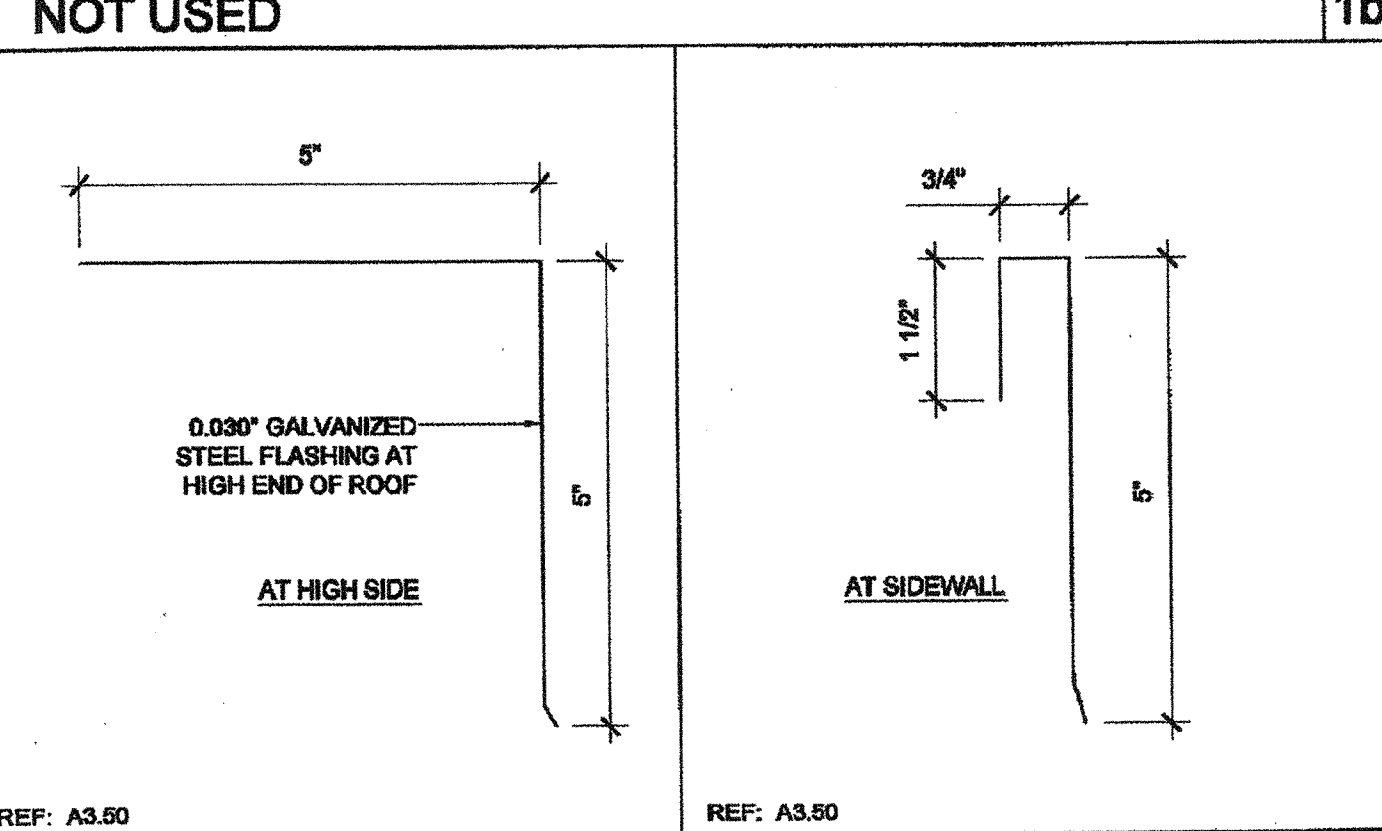
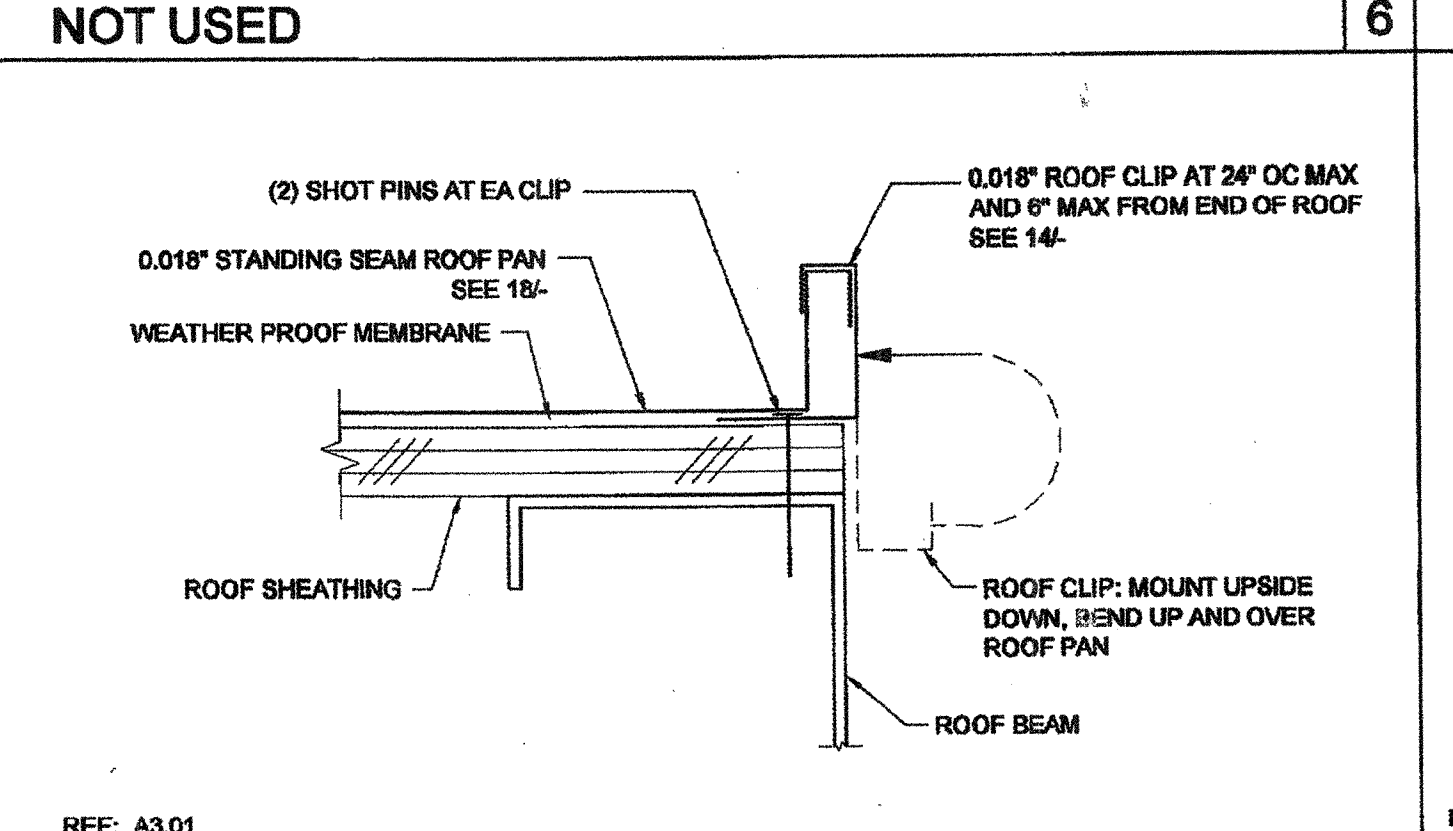
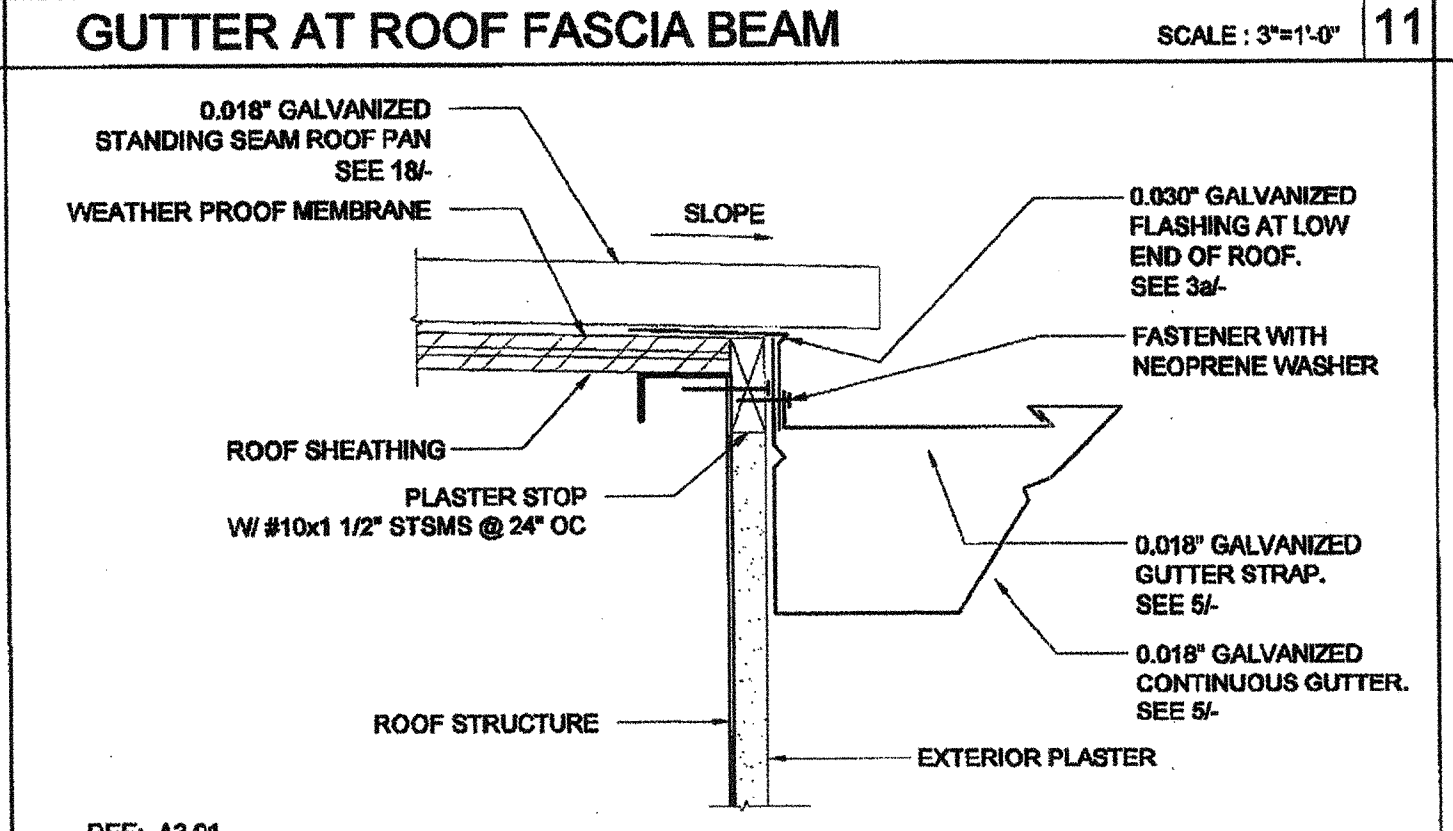
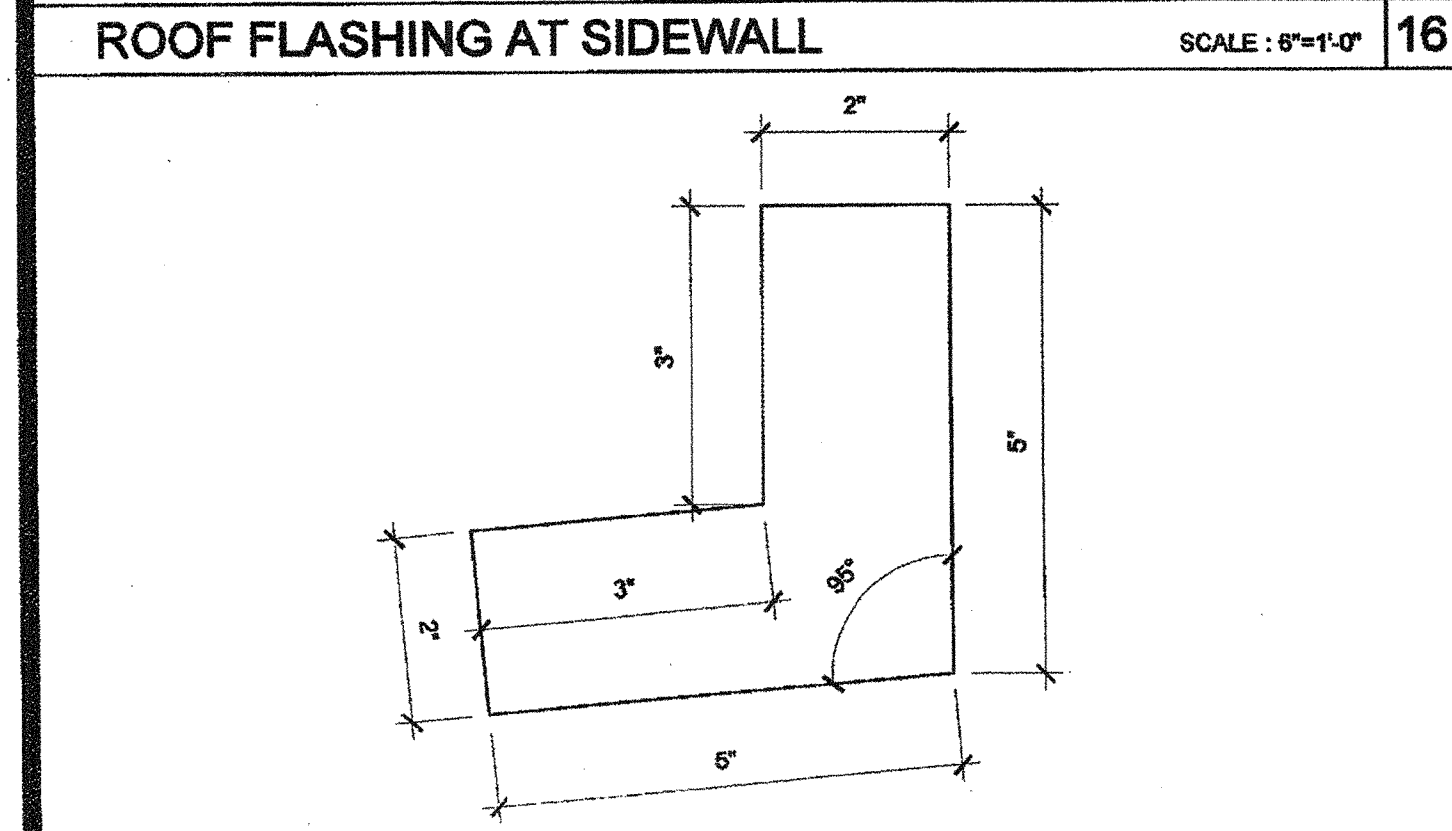
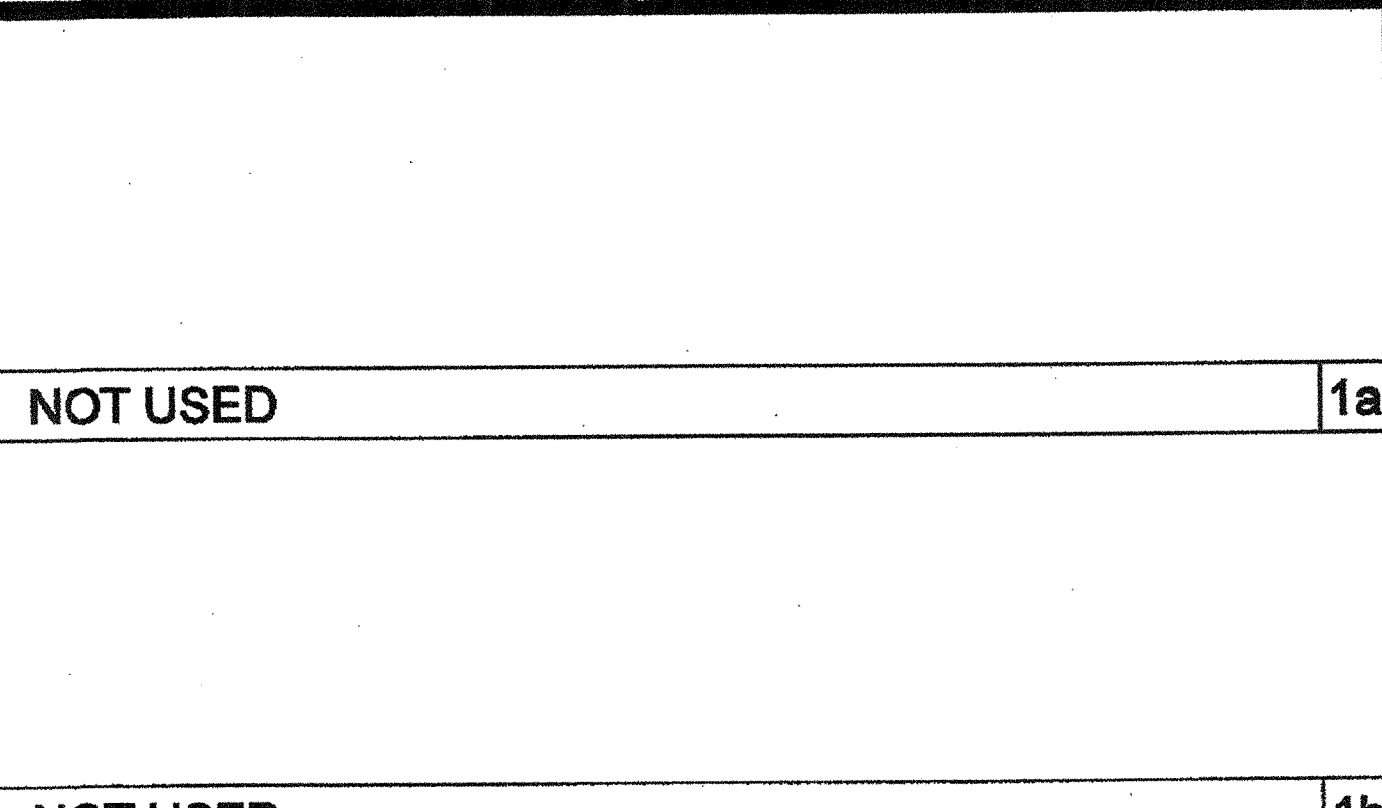
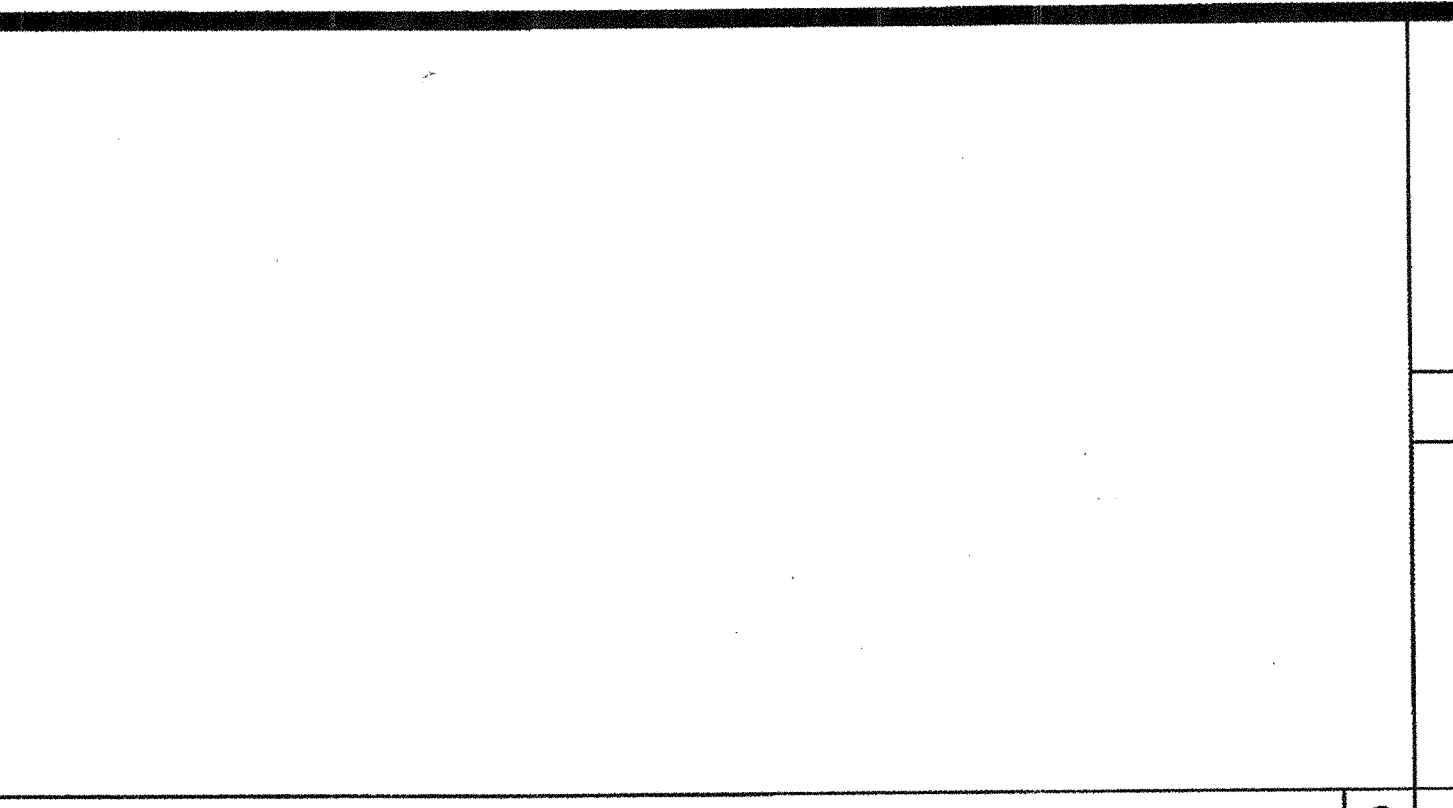
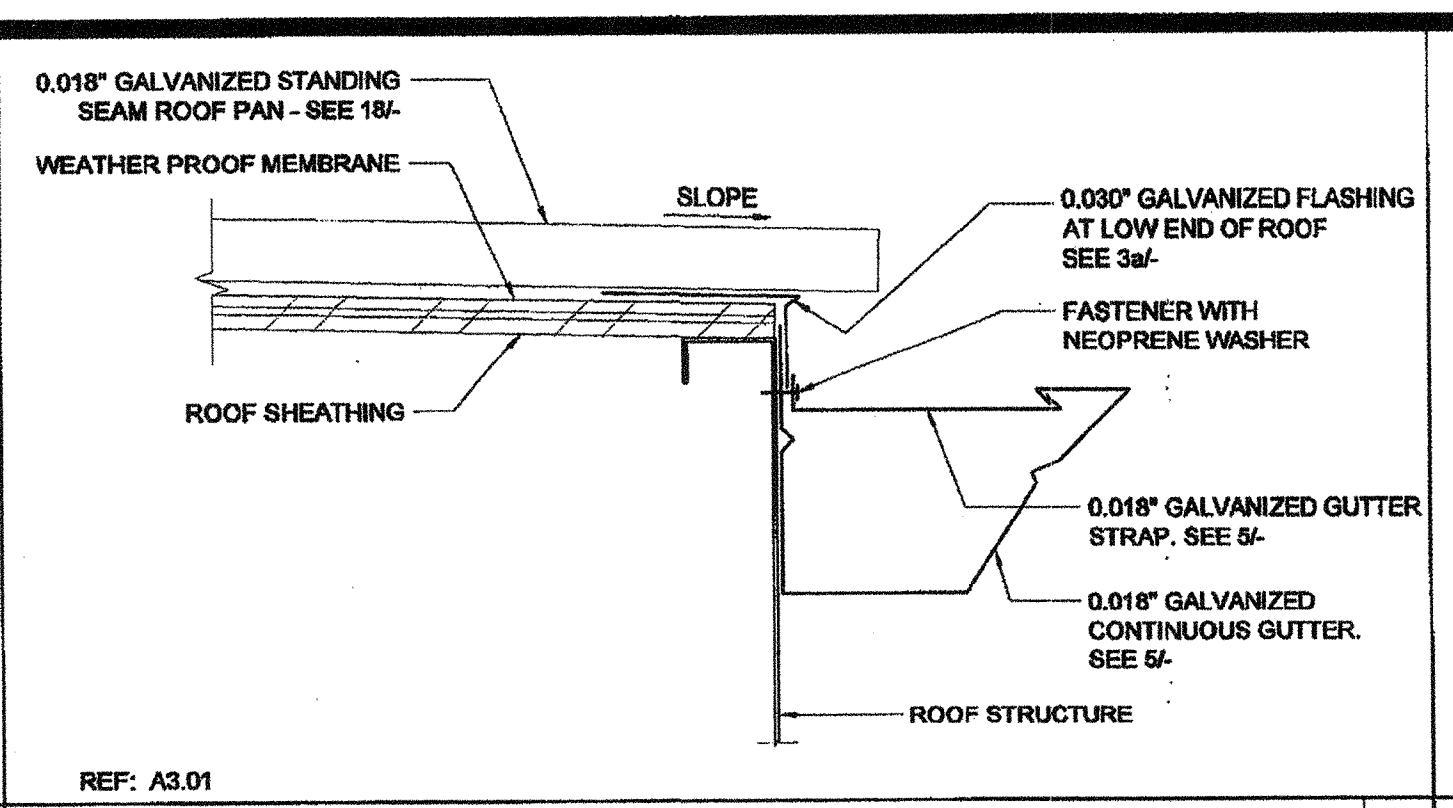
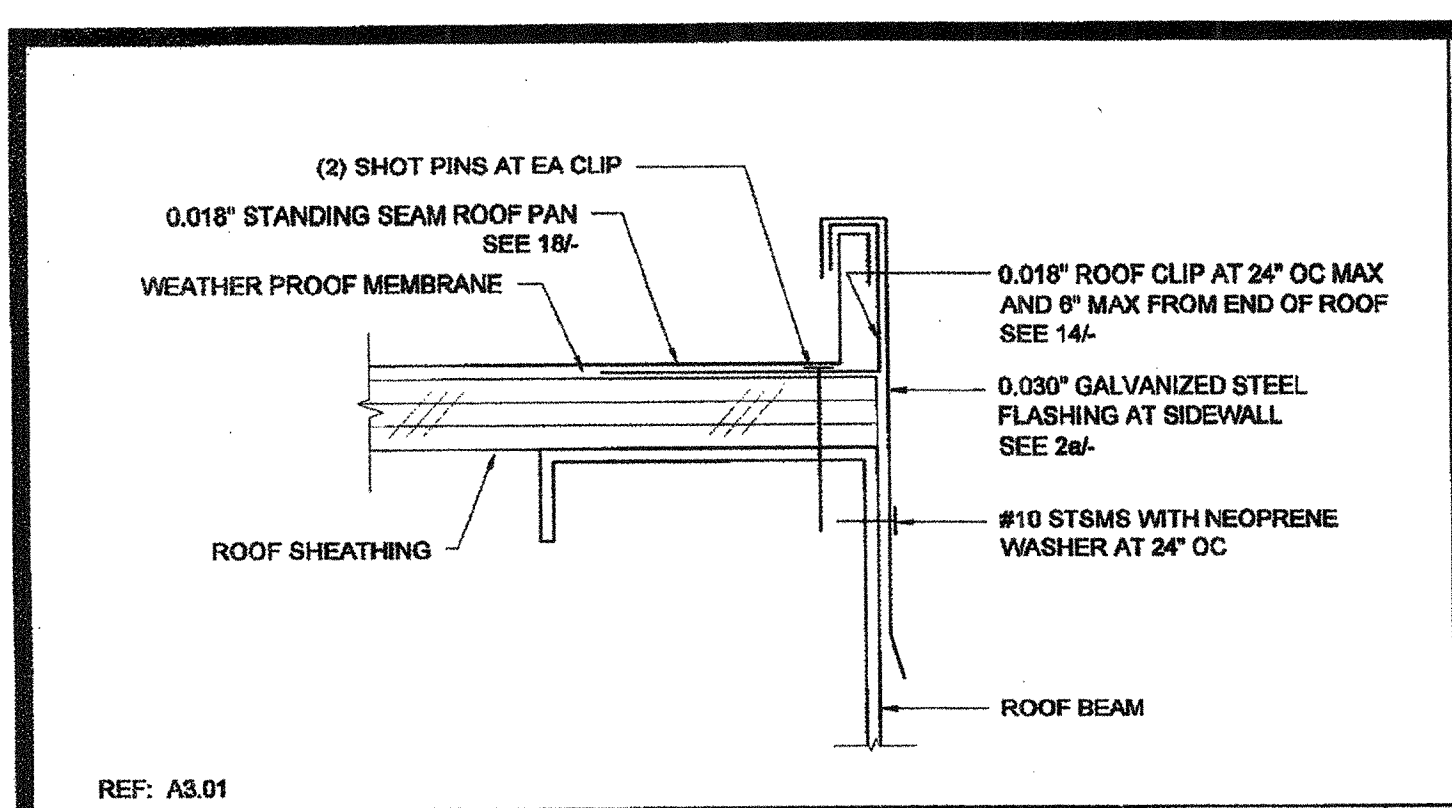
SCALE: AS NOTED

DATE: 6-17-11

P.C. SHEET NUMBER

A-3.50

STKP 125



1a NOT USED
11 NOT USED
6 NOT USED
1b NOT USED
17 DOWNSPOUT ATTACHMENT
12 GUTTER AT ROOF FASCIA BEAM
7 STARTER ROOF PAN CONNECTION
2b ROOF FLASHING
2a ROOF FLASHING
3a FLASHING AT ROOF LOW SIDE(S)
3b FLASHING AT ROOF HIGH SIDE
18 ROOF DECK PROFILE
13 ROOF FLASHING AT HIGH SIDE
8 ROOF FLASHING AT SIDEWALL
4 FLASHING AT ROOF HIGH SIDE
19 NOT USED
14 ROOF CLIP
9 ROOF STANDING SEAM
5 0.018" GUTTER AND GUTTER STRAP
20 DOWNSPOUT ATTACHMENT