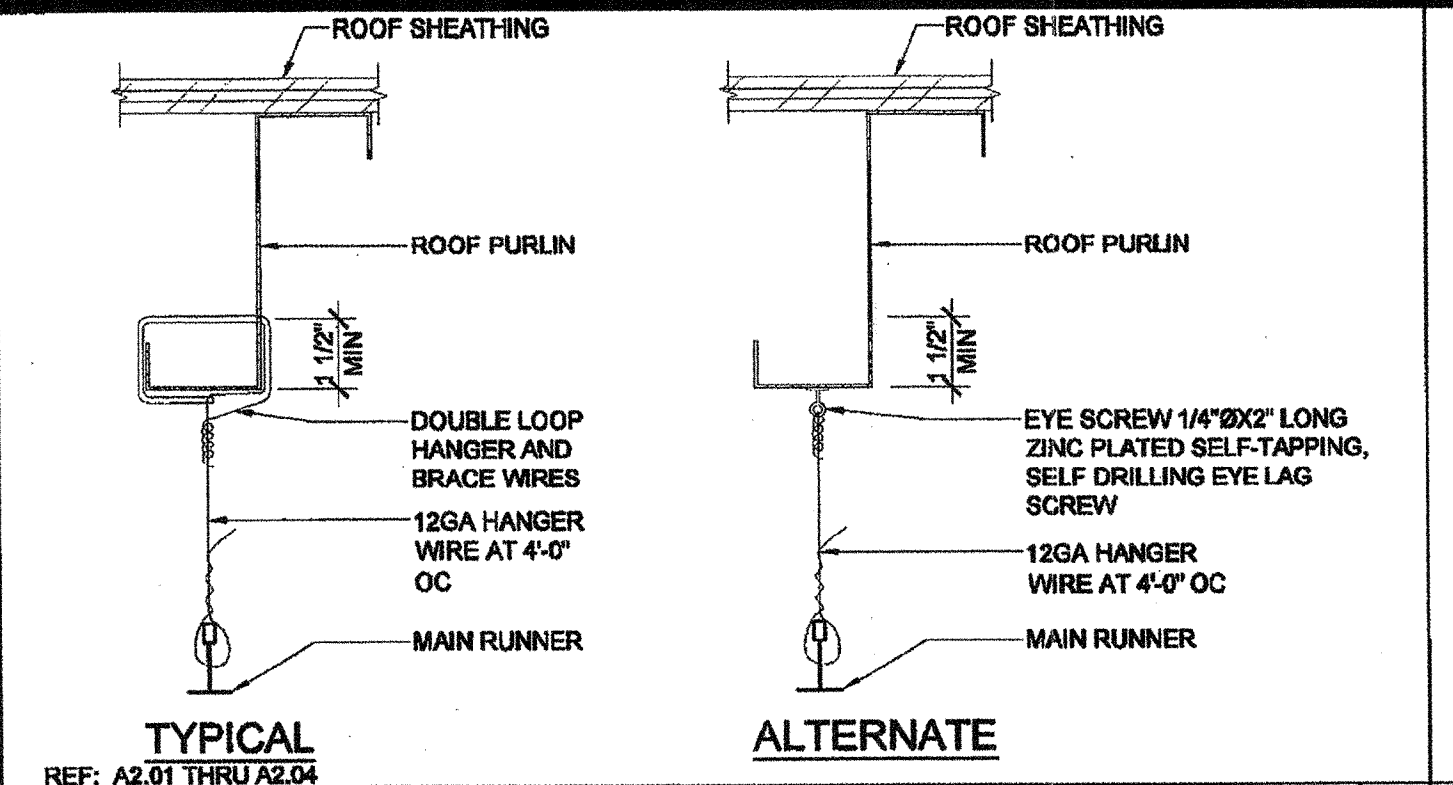
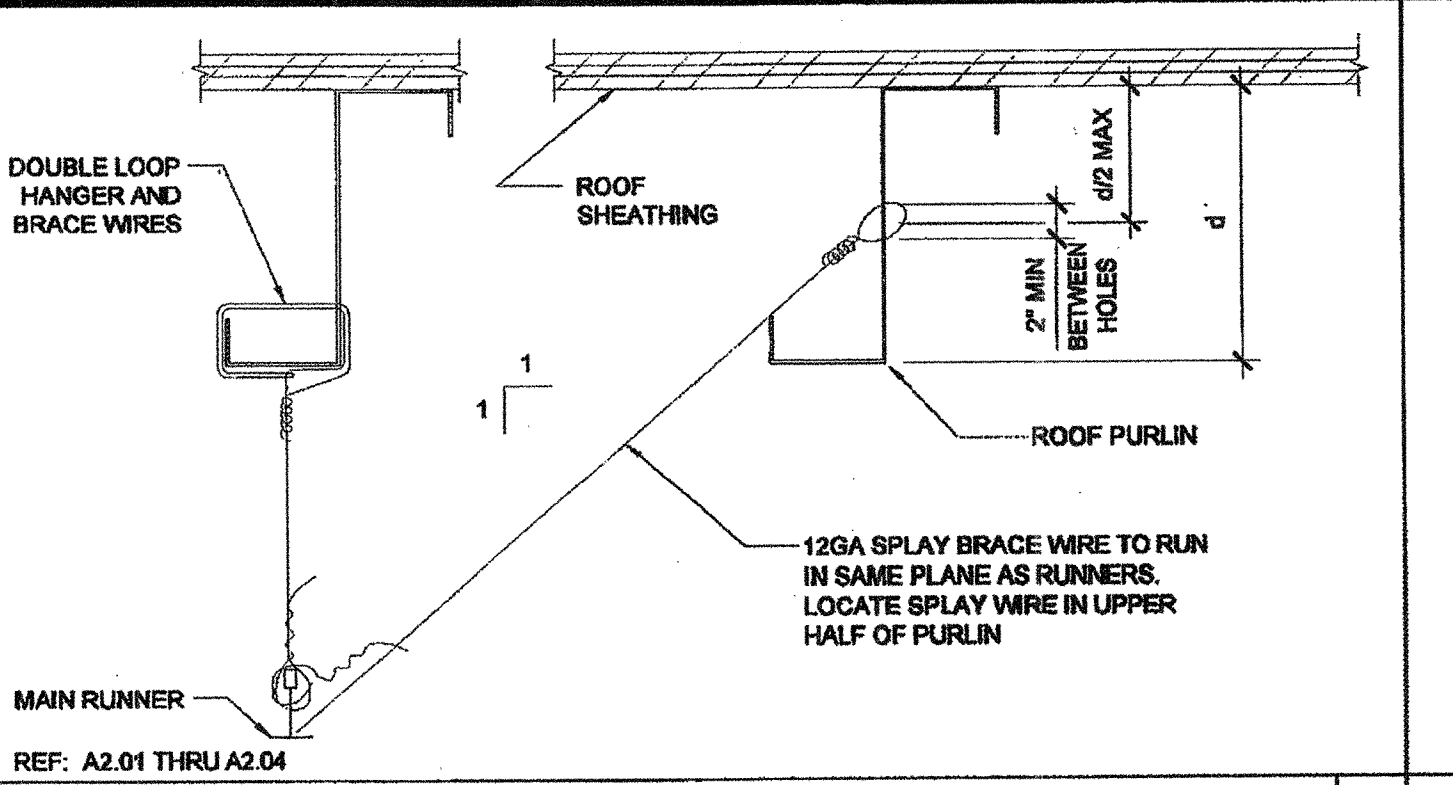


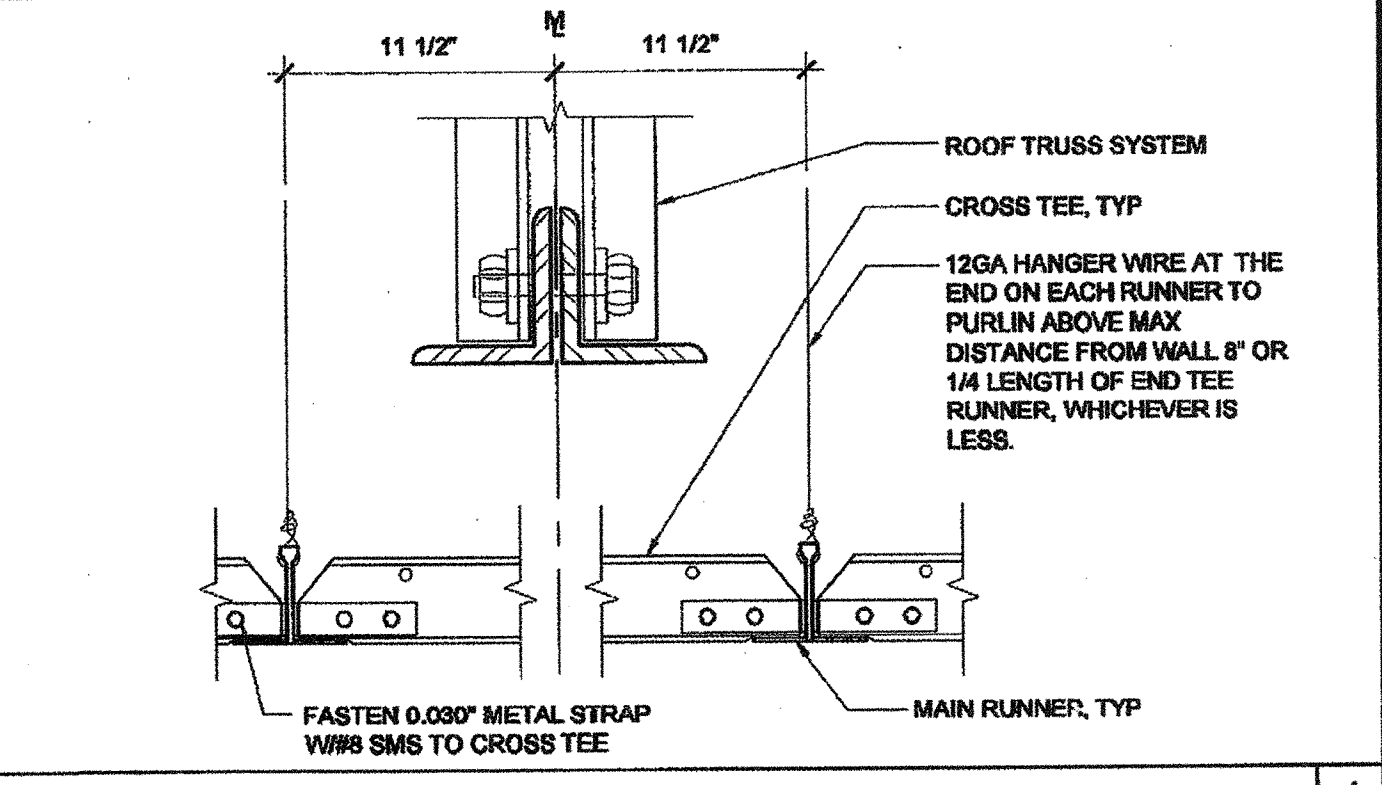
TRAPEZE DETAIL REF: A2.01 THRU A2.04 SCALE: NTS **17**



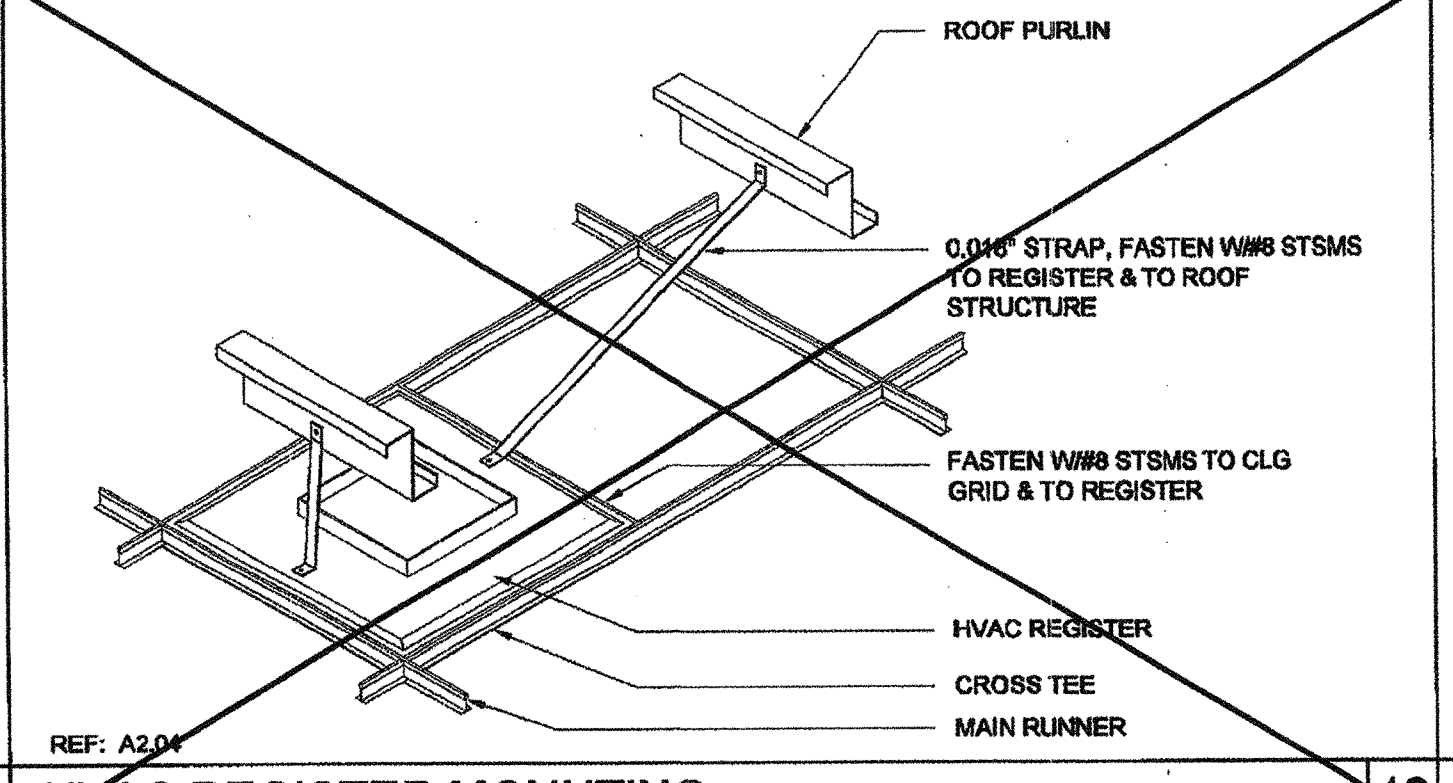
HANGER WIRE DETAIL REF: A2.01 THRU A2.04 SCALE: 3\"/>



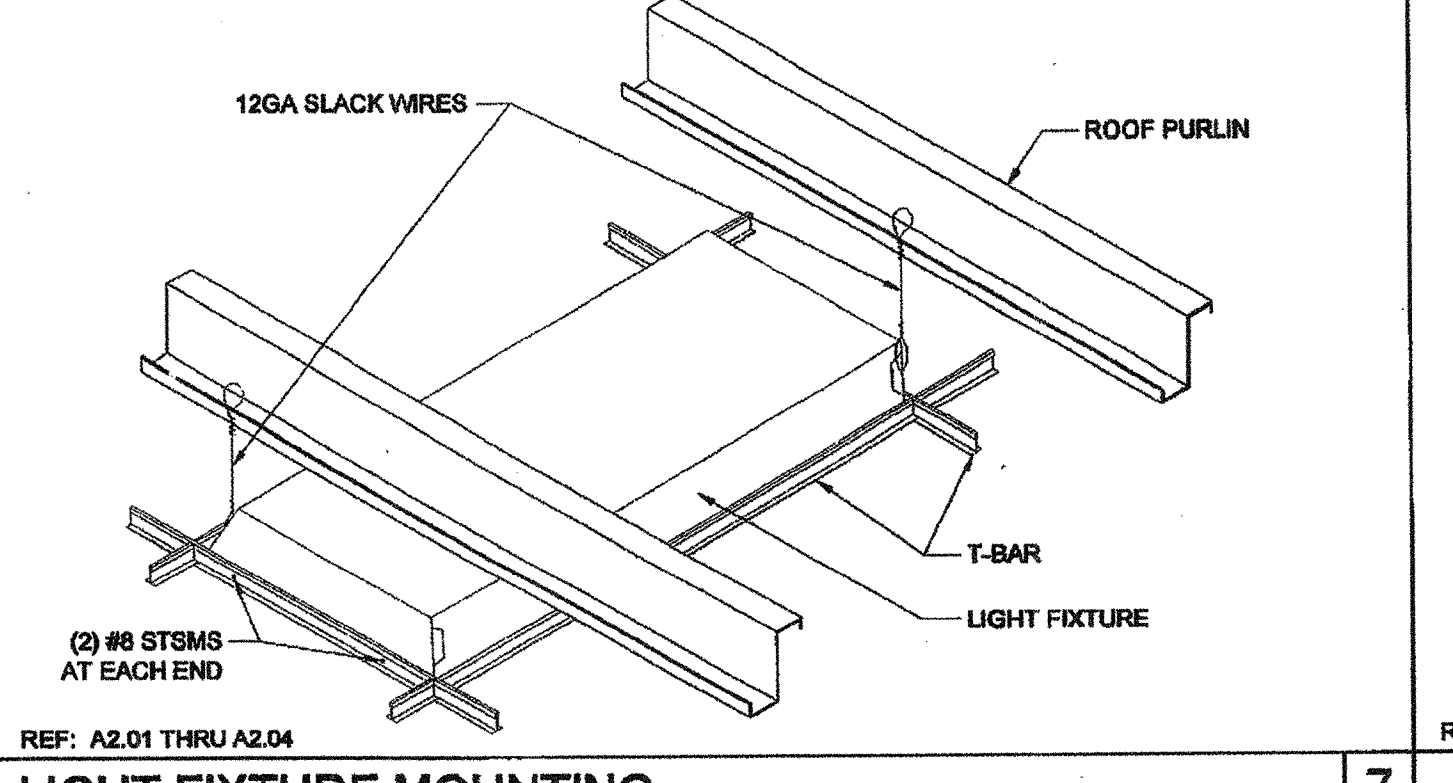
SPLAY BRACING WIRE REF: A2.01 THRU A2.04 SCALE: 3\"/>



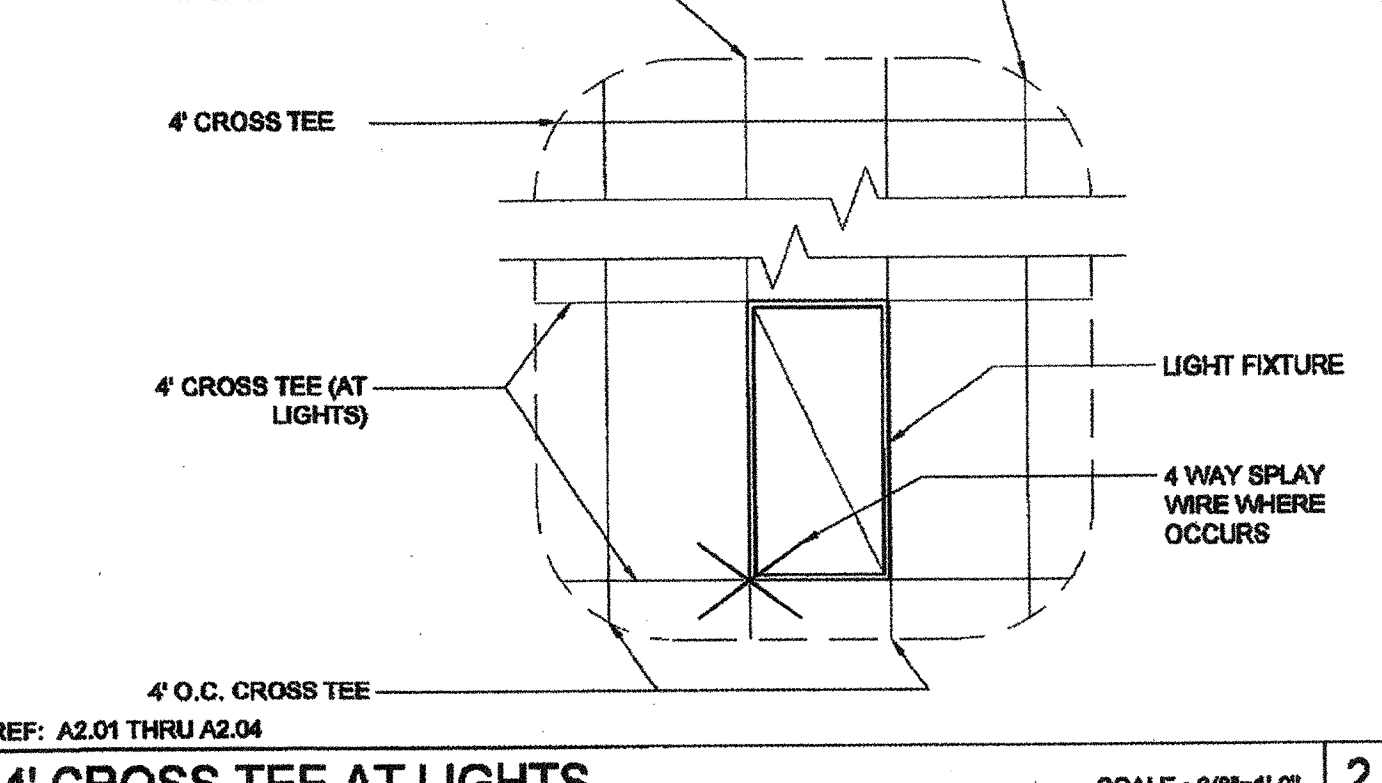
GRID AT MODLINE REF: A2.01 THRU A2.04 SCALE: 3\"/>



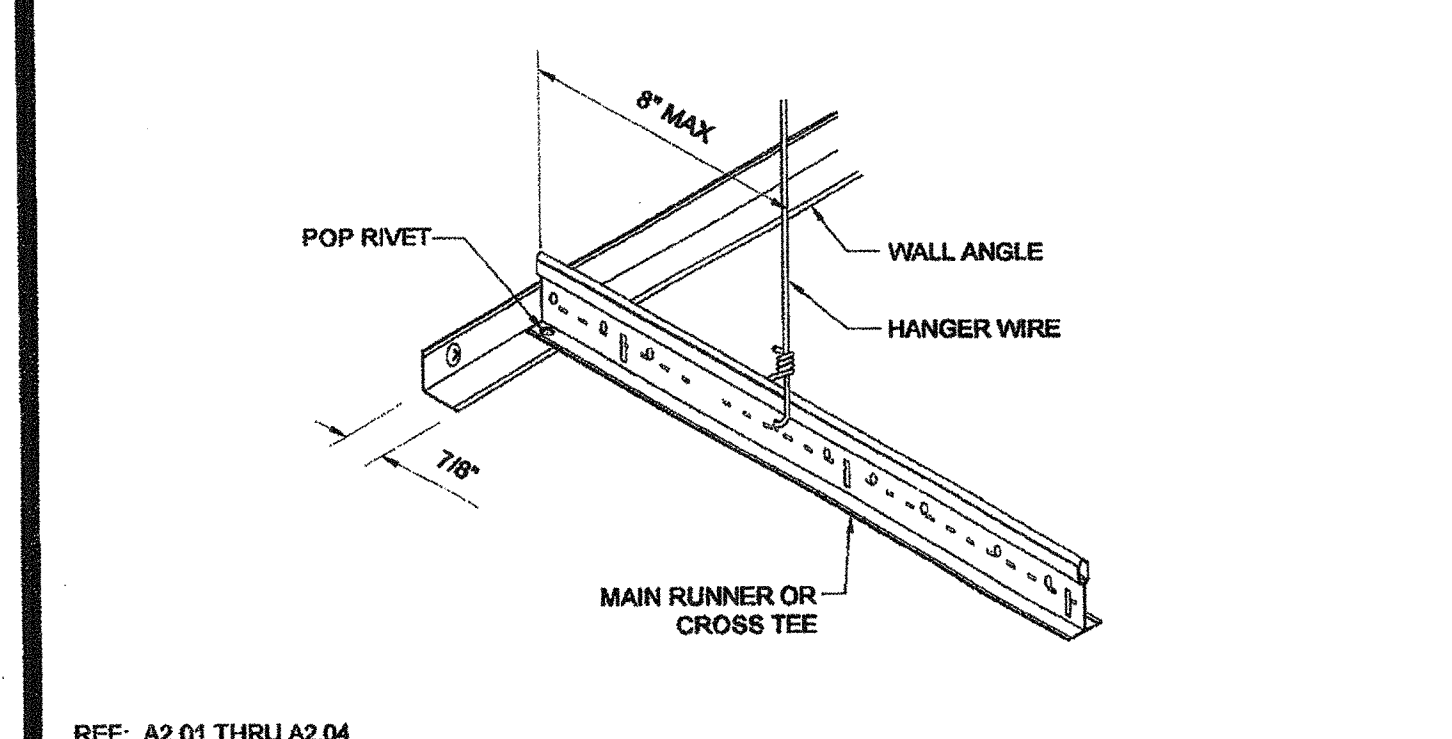
HVAC REGISTER MOUNTING REF: A2.01 THRU A2.04 SCALE: NTS **12**



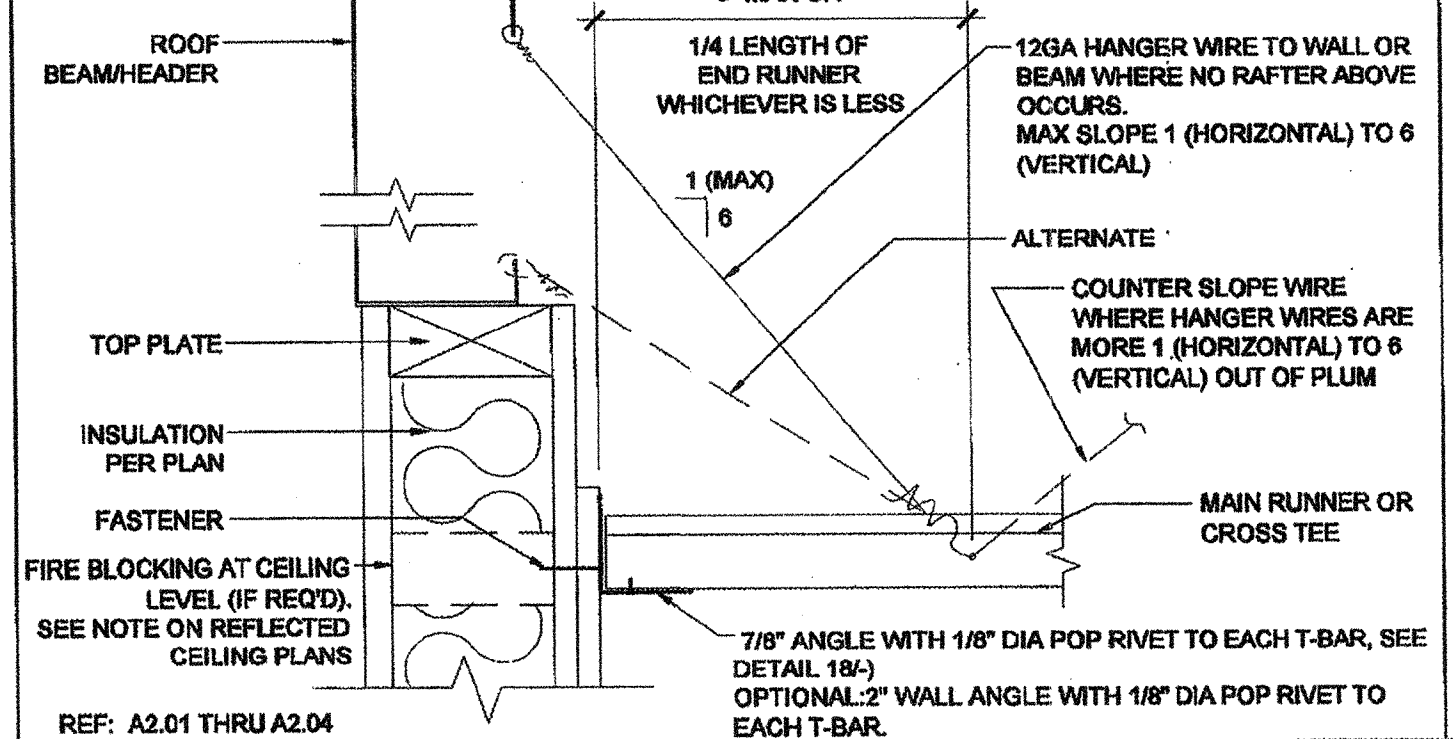
LIGHT FIXTURE MOUNTING REF: A2.01 THRU A2.04 SCALE: NTS **7**



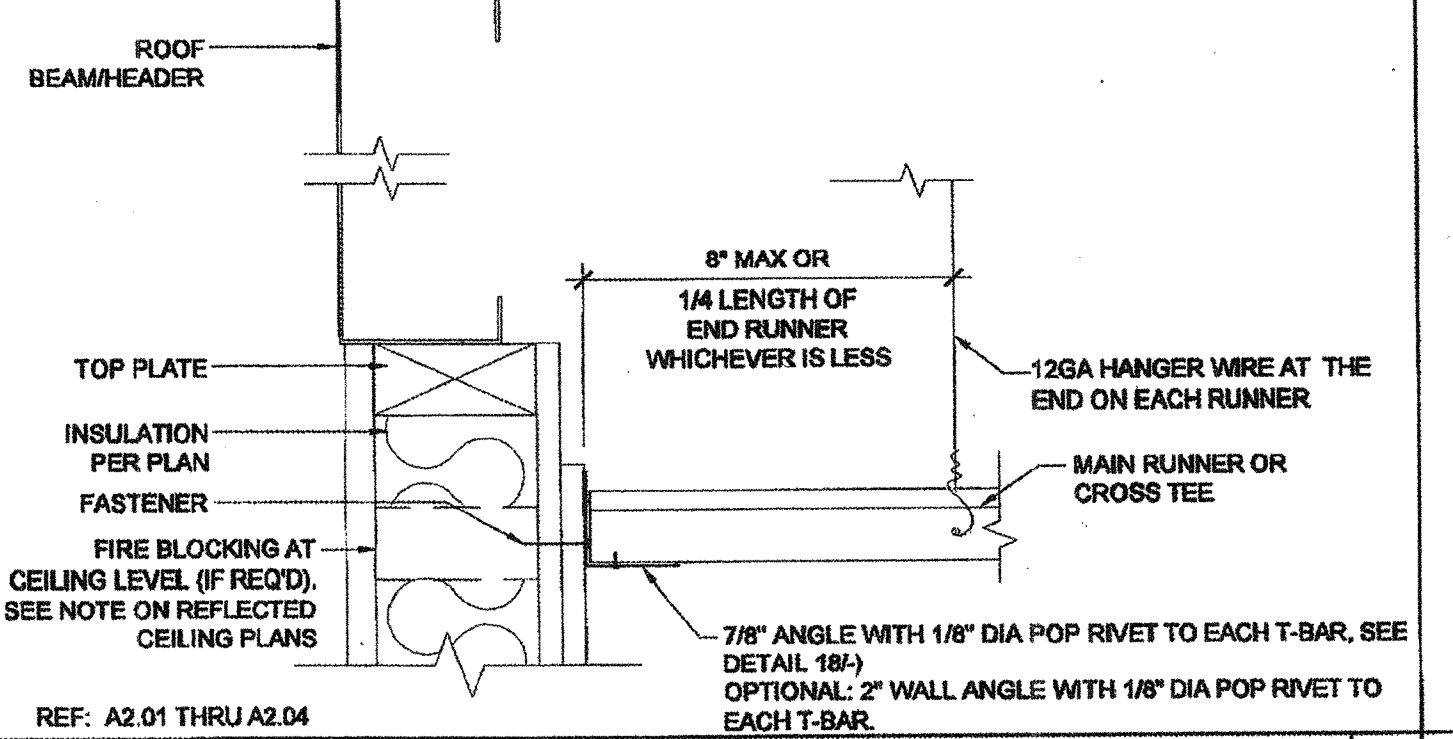
4\"/>



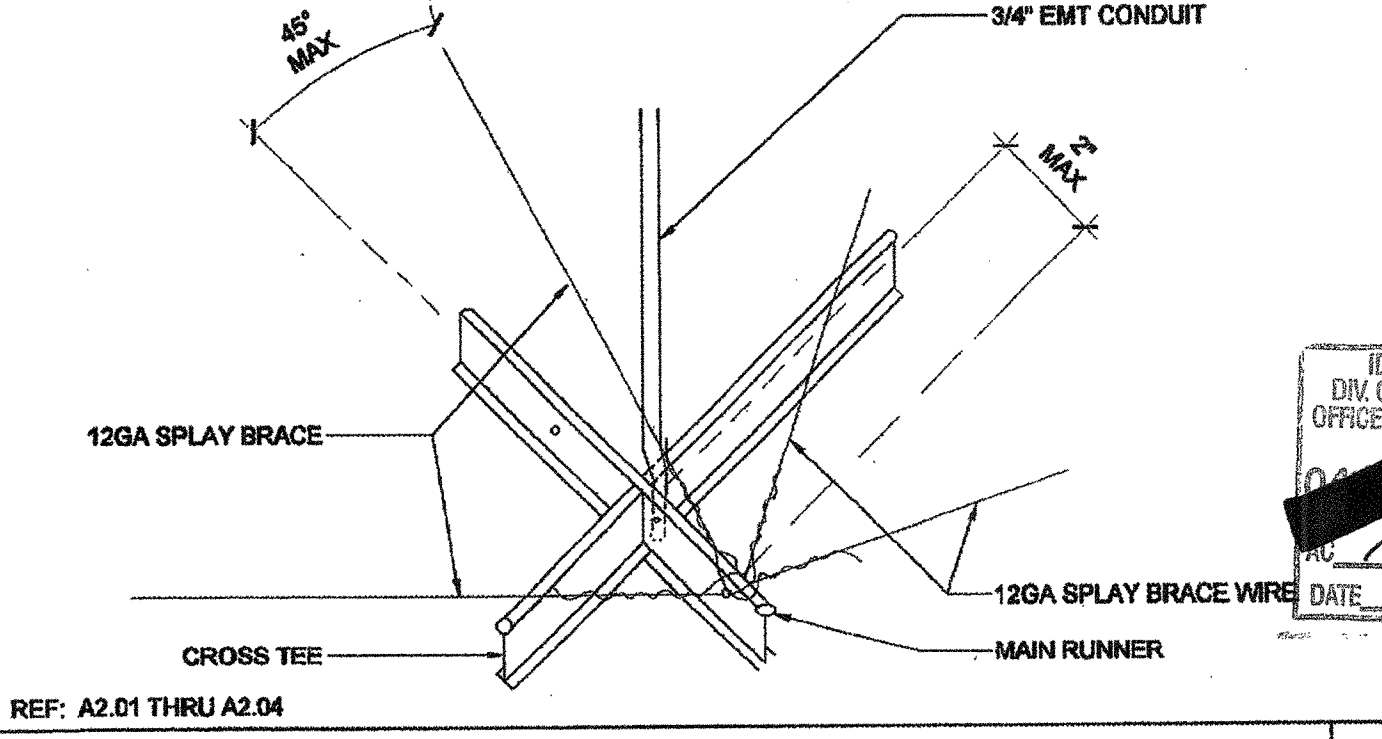
FIXED SIDE WITH 7/8\"/>



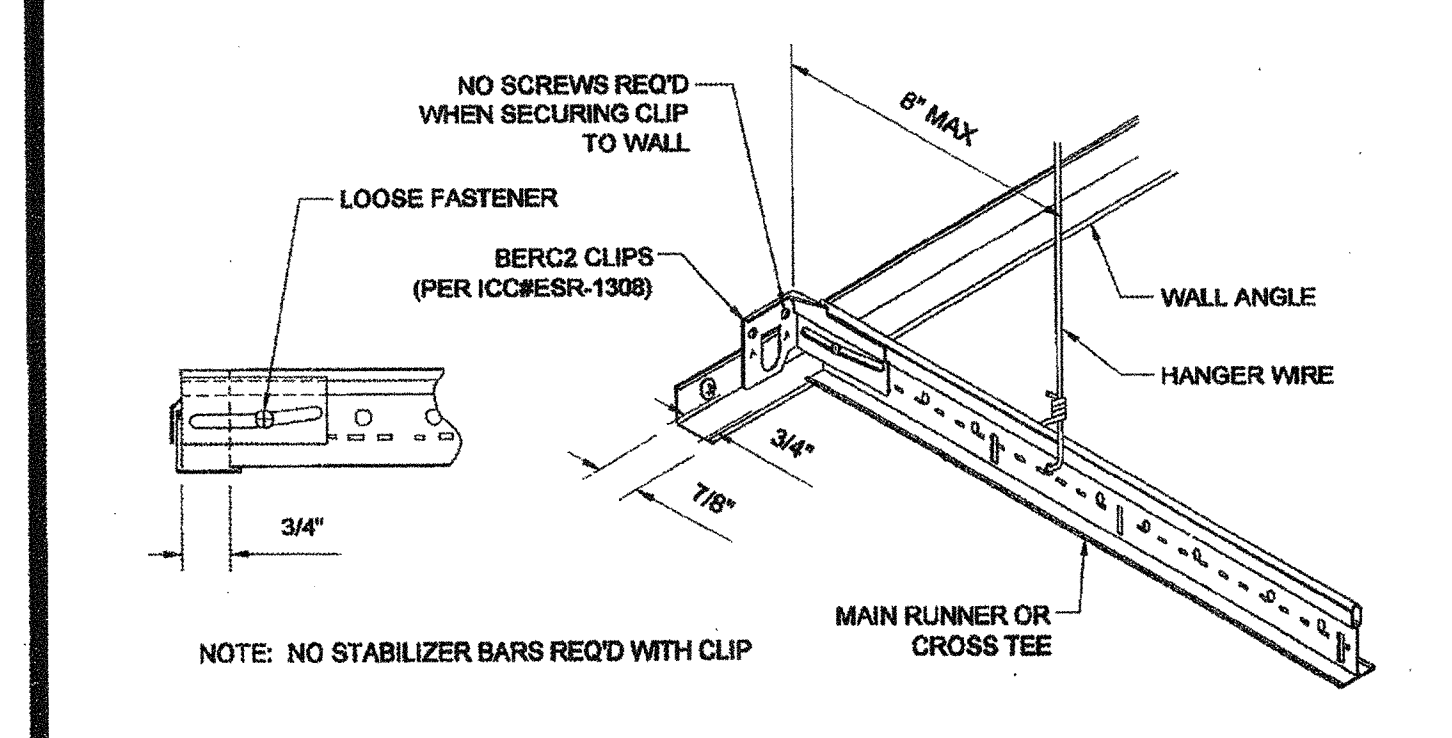
FIXED SIDE (ENDWALL) REF: A2.01 THRU A2.04 SCALE: 3\"/>



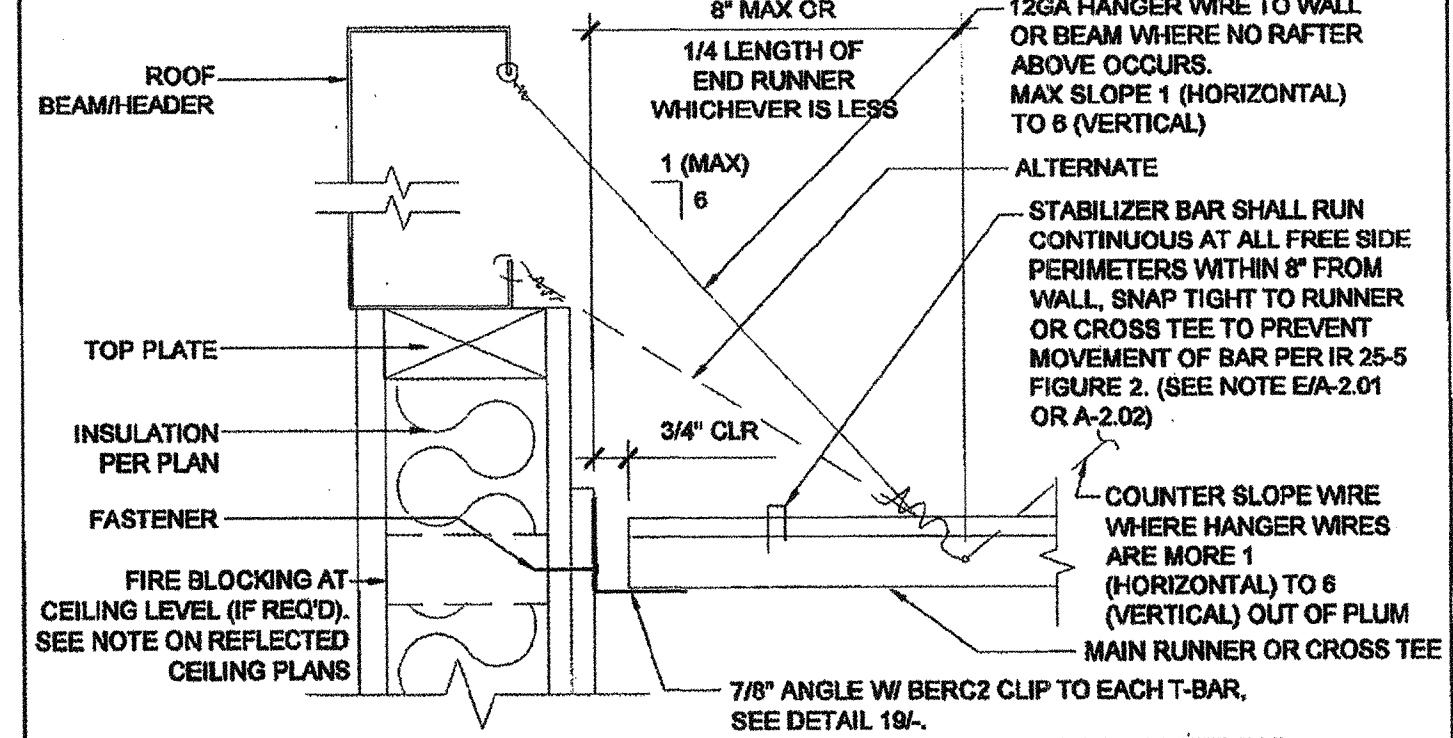
FIXED SIDE (SIDEWALL) REF: A2.01 THRU A2.04 SCALE: 3\"/>



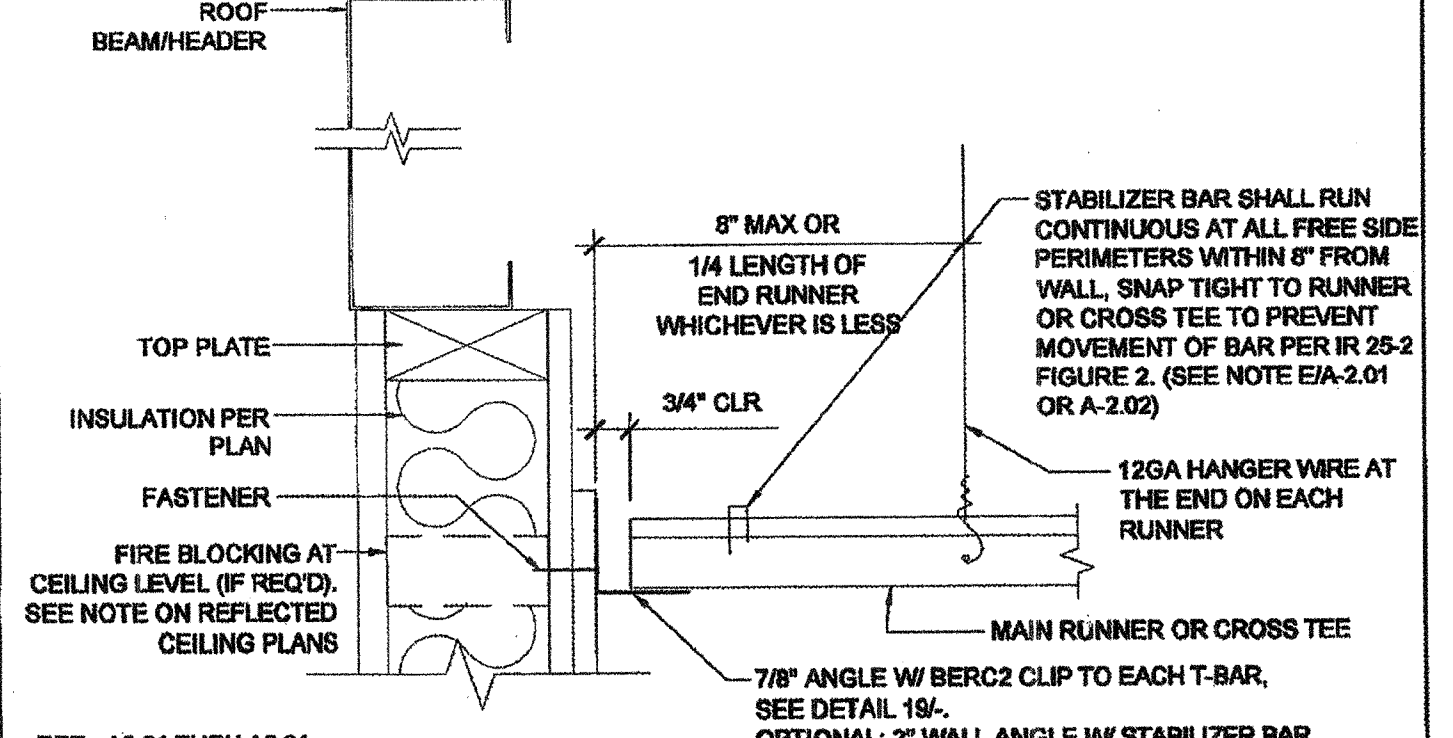
SEISMIC SPLAY - 4 WAY REF: A2.01 THRU A2.04 SCALE: NTS **3**



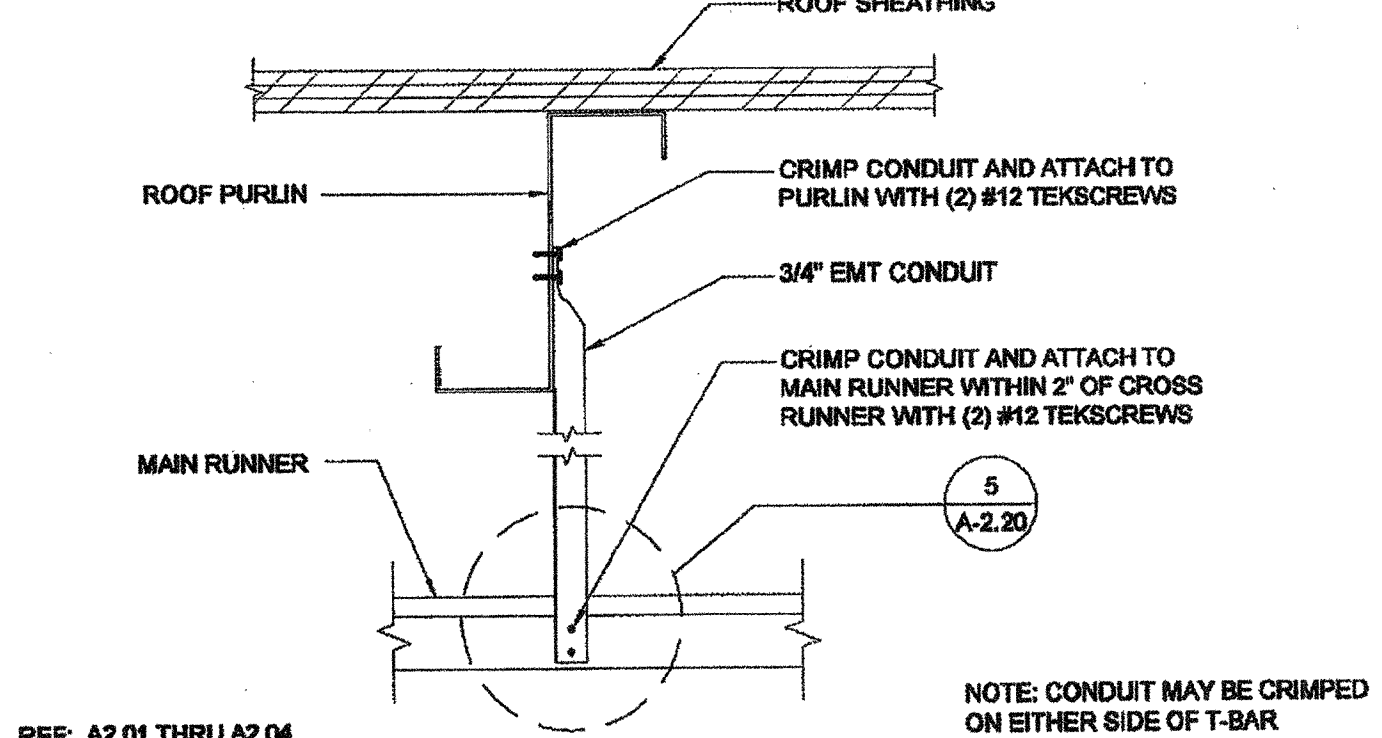
FREE SIDE WITH 7/8\"/>



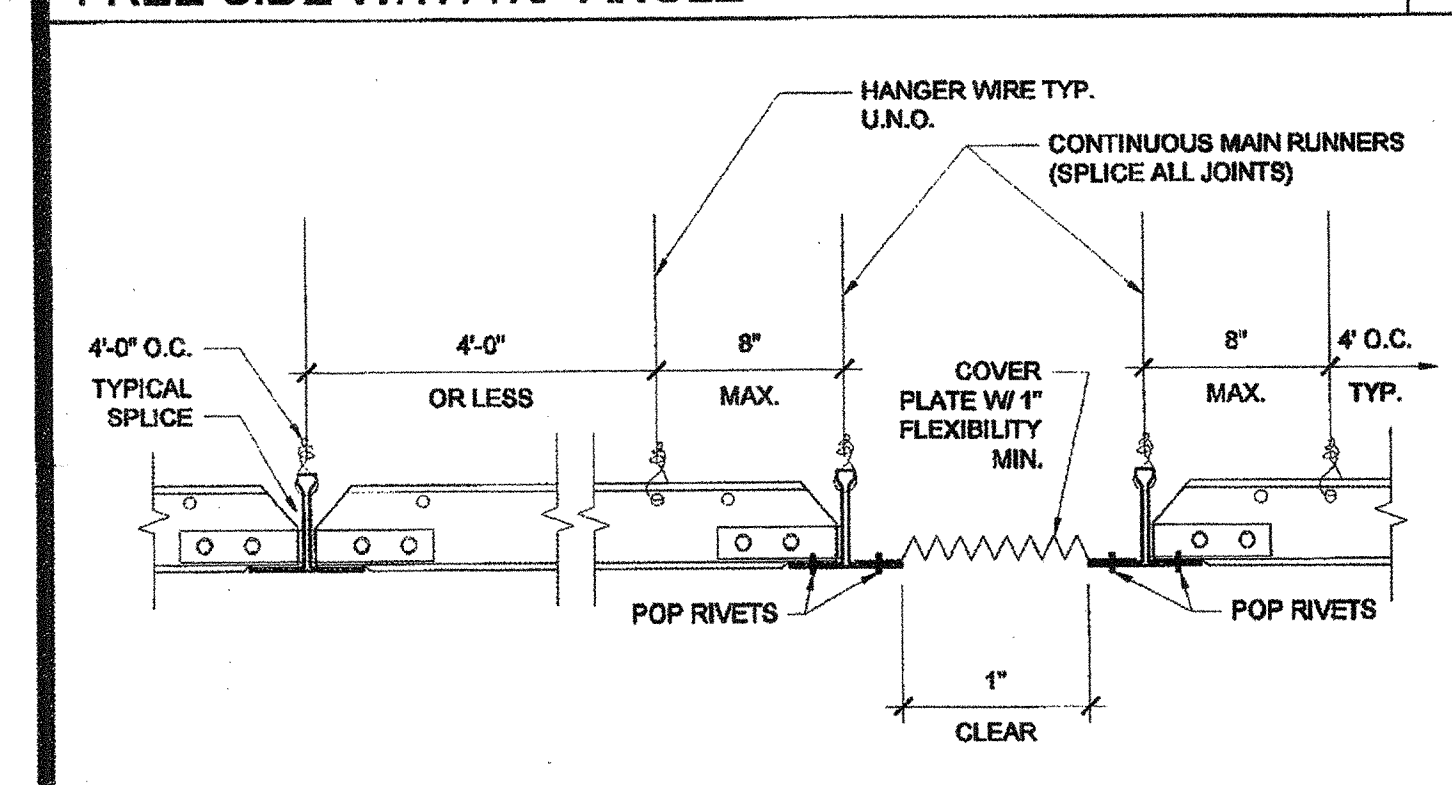
FREE SIDE (ENDWALL) REF: A2.01 THRU A2.04 SCALE: 3\"/>



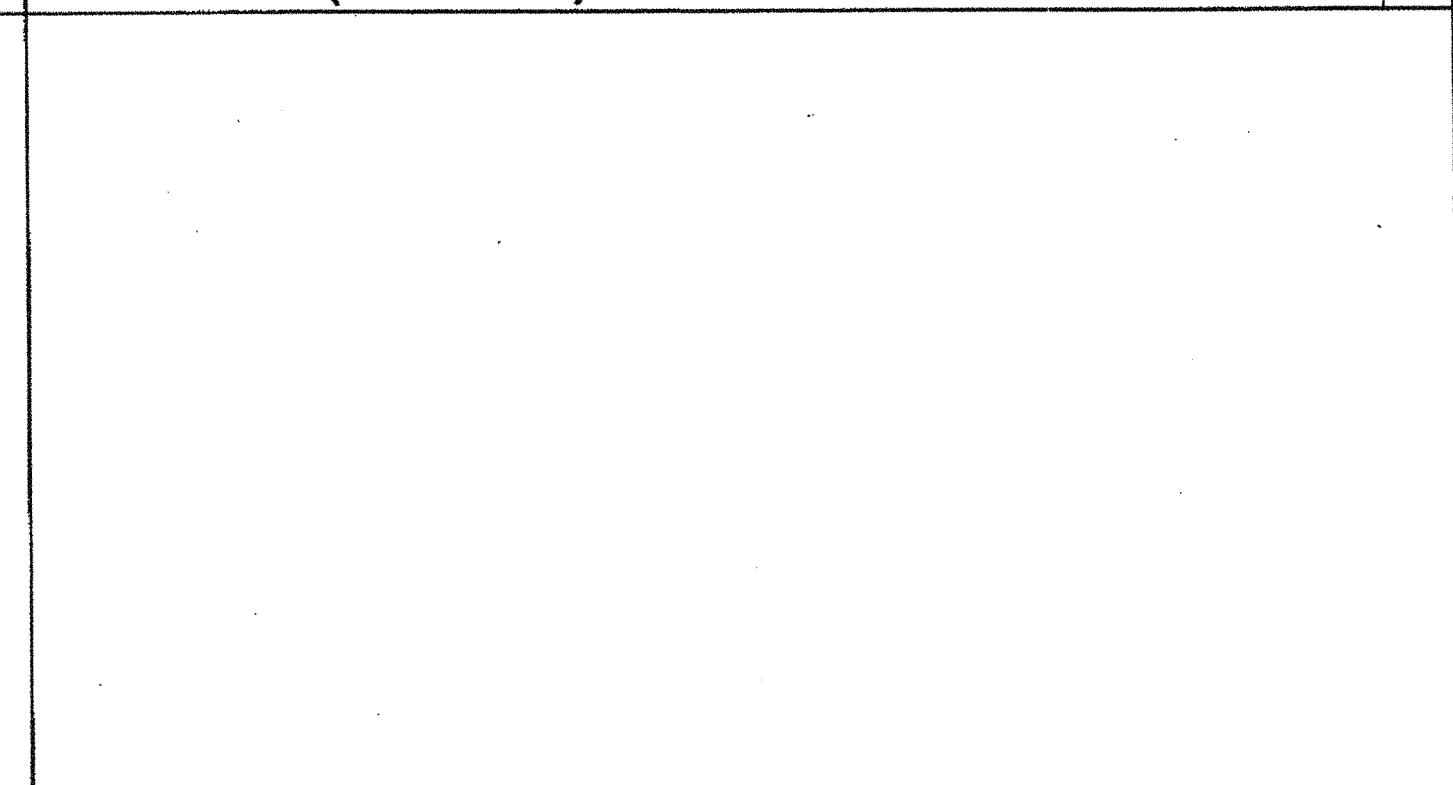
FREE SIDE (SIDEWALL) REF: A2.01 THRU A2.04 SCALE: 3\"/>



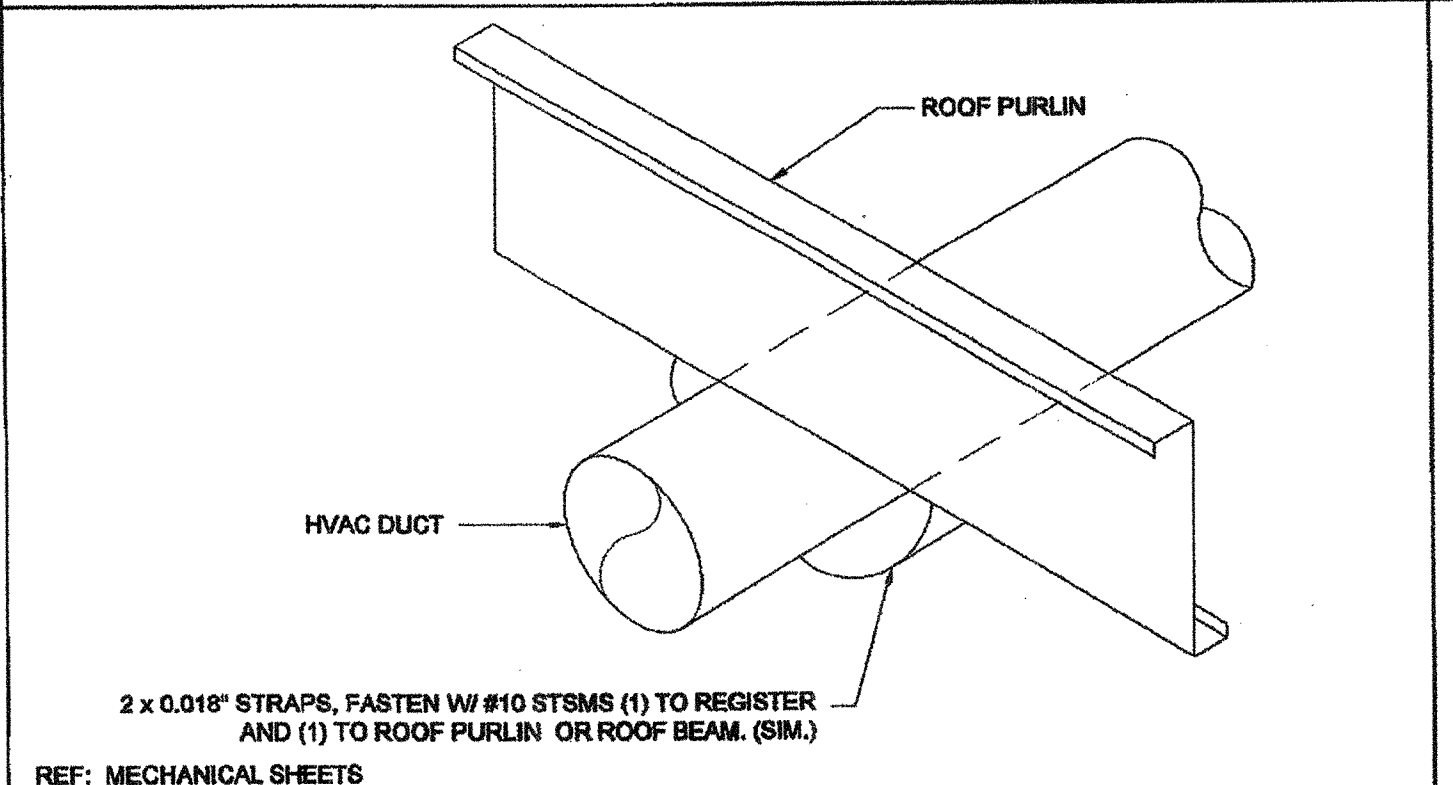
COMPRESSION STRUT REF: A2.01 THRU A2.04 SCALE: 3\"/>



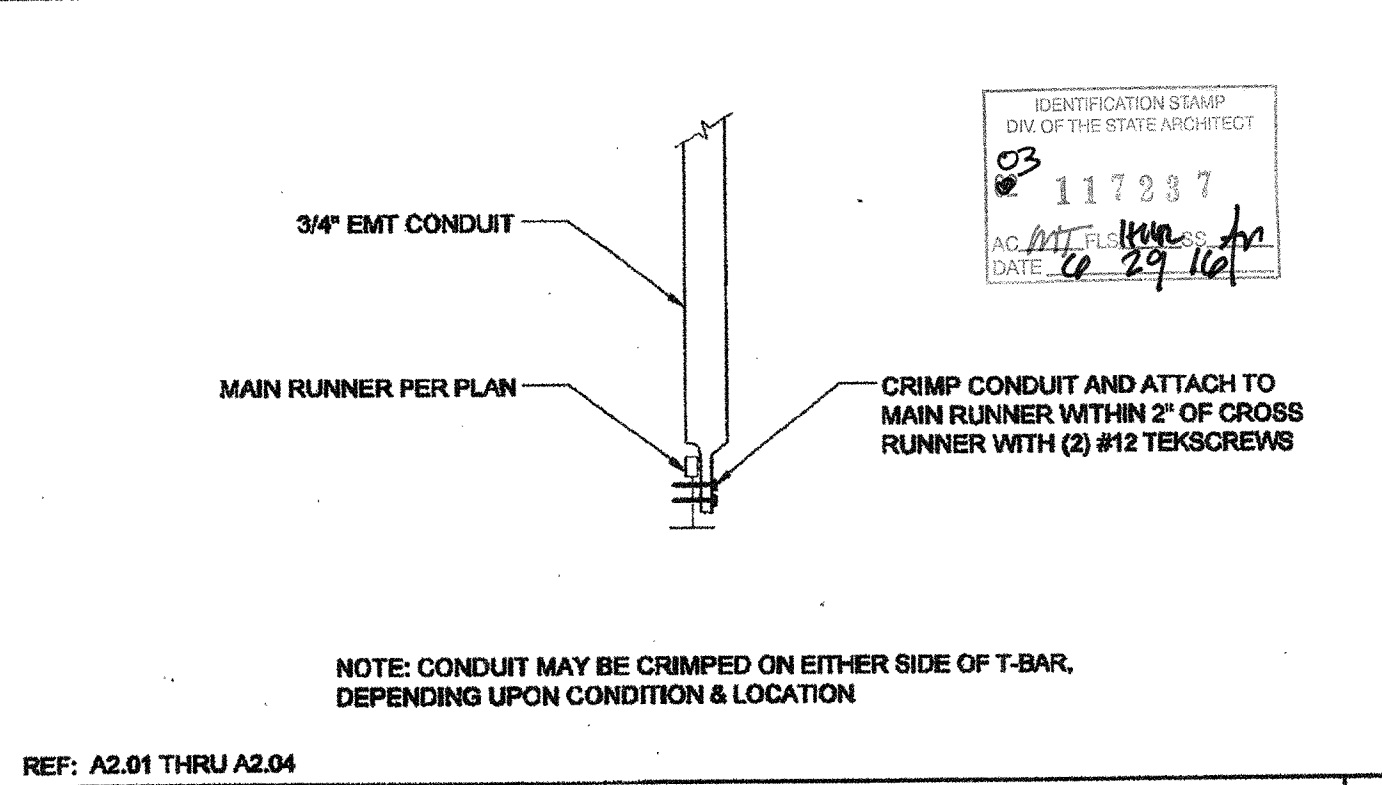
GRID SEISMIC SEPARATION JOINT REF: A2.01 THRU A2.04 SCALE: 3\"/>



HVAC DUCTWORK MOUNTING REF: A2.01 THRU A2.04 SCALE: NTS **15**



COMPRESSION STRUT REF: A2.01 THRU A2.04 SCALE: 3\"/>



COMPRESSION STRUT REF: A2.01 THRU A2.04 SCALE: 3\"/>

THESE DRAWINGS AND ALL MATERIAL CONTAINED HEREIN ARE THE PROPERTY OF SILVERCREEK INDUSTRIES, INC. (SCI Inc) AND SHALL NOT BE REPRODUCED, COPIED OR OTHERWISE USED IN WHOLE OR IN PART TO ASSIST IN THE MAKING OF OR FOR THE PURPOSE OF FURNISHING ANY INFORMATION FOR THE MAKING OF DRAWINGS, PRINTS, APPARATUS OR PARTS THEREOF WITHOUT THE FULL KNOWLEDGE AND WRITTEN CONSENT OF SCI Inc. ALL PATENTABLE MATERIAL CONTAINED HEREIN AND ORIGINATING WITH SCI Inc SHALL BE THE PROPERTY OF SCI Inc.

SILVER CREEK INDUSTRIES, INC.
 BUILDING FOR THE NEXT GENERATION
SILVER CREEK
 195 EAST MORGAN PERRIS, CALIFORNIA 92571
 PHONE: 951-943-5393 FAX: 951-943-2211

PROJECT NAME:
CLASS LEASING
 SHEET TITLE:
CEILING DETAILS T-GRID

STAVARES ASSOCIATES
 ARCHITECTS
 1223/2011
 ARCHITECT OF RECORD
 SUBMISSION
 12/23/2011

PROJECT SPECIFIC STATE AGENCY APPROVAL
 IDENTIFICATION STAMP
 DIV. OF THE STATE ARCHITECT
 OFFICE OF REGULATION SERVICES
 04 117237
 DATE AUG 28 2011

ORIGINAL PC STATE AGENCY APPROVAL
 IDENTIFICATION STAMP
 DIV. OF THE STATE ARCHITECT
 OFFICE OF REGULATION SERVICES
 04-112137
 DATE DEC 9 2011

SILVER CREEK INDUSTRIES
 12 x 40\"/>

PROJECT NO:
 DRAWN BY:
 SCALE: AS NOTED
 DATE: 6-17-11
 P.C. SHEET NUMBER
A-2.20 STKP 125