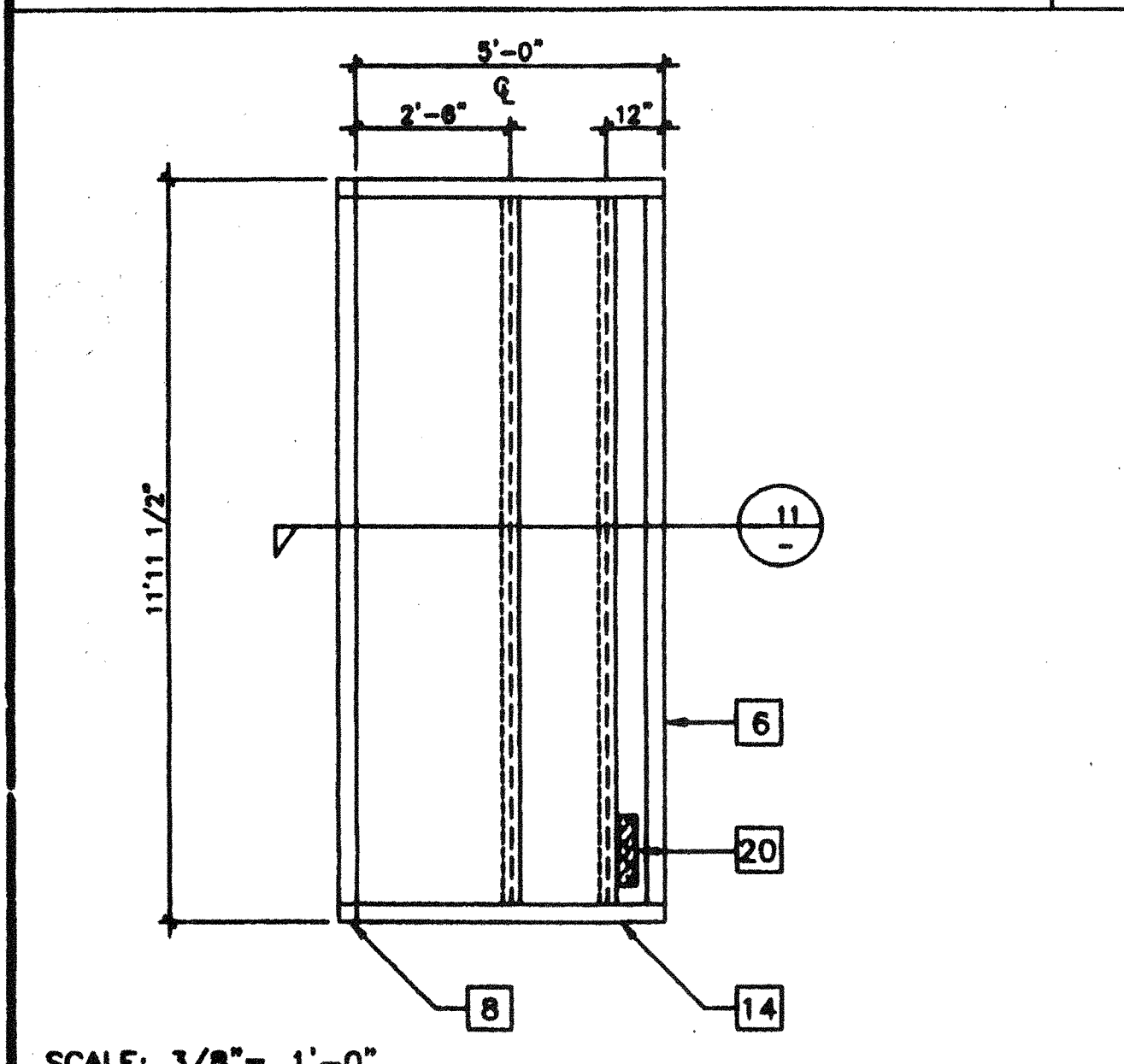
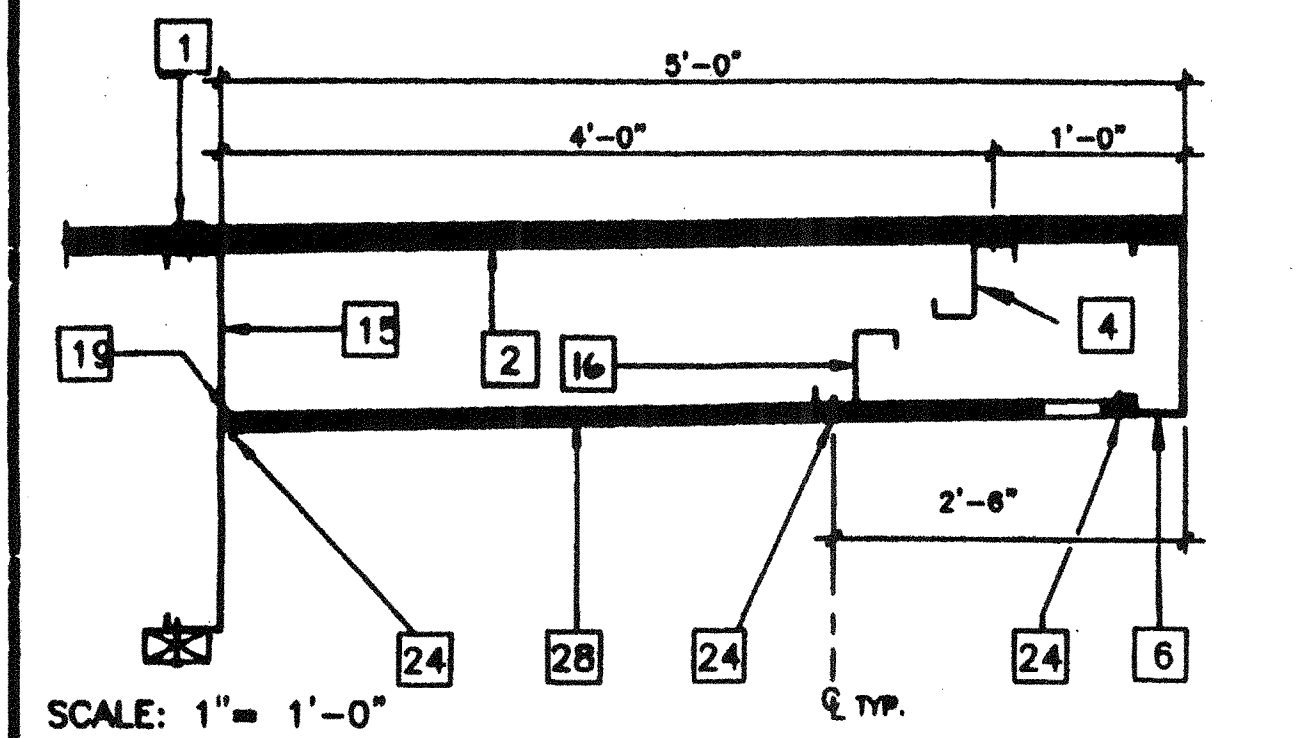


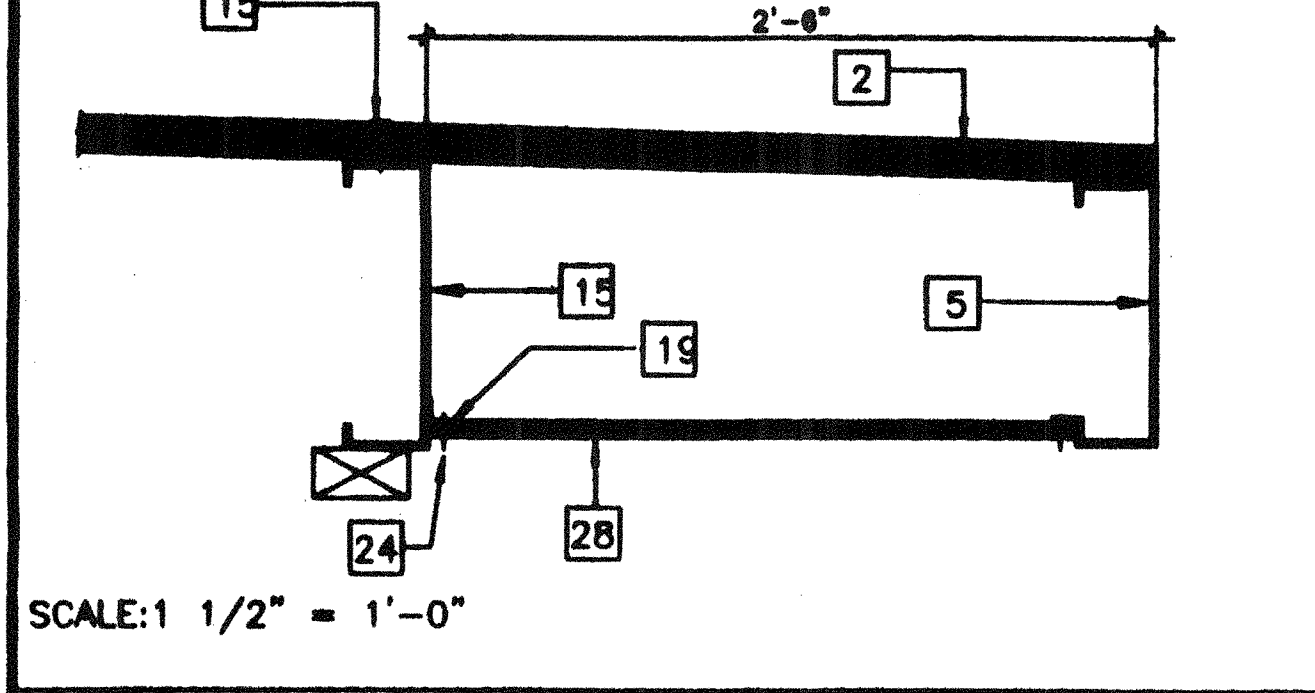
COLUMN AT FLOOR 9



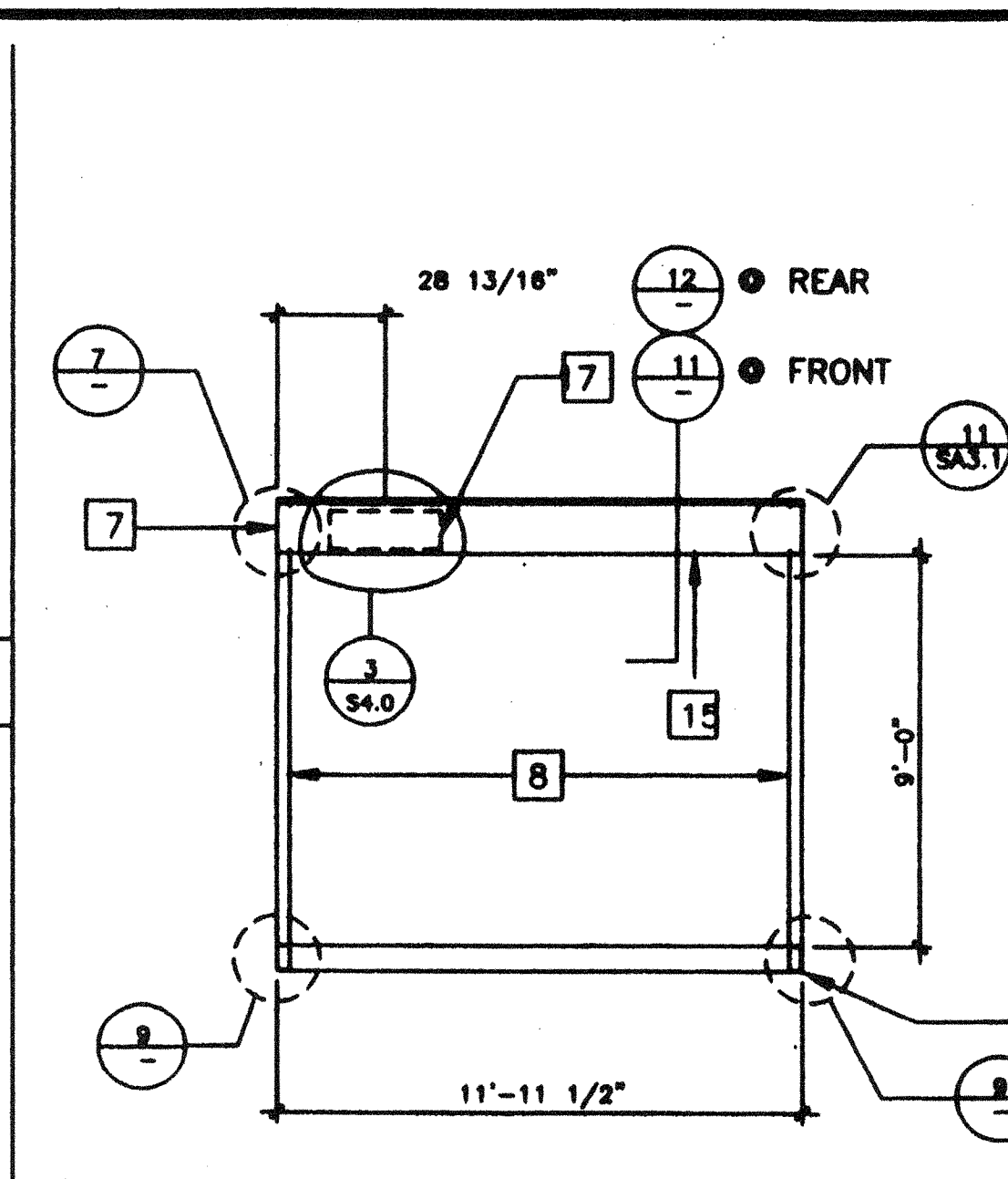
ENCLOSED SOFFIT PLAN - (OPTIONAL) 10



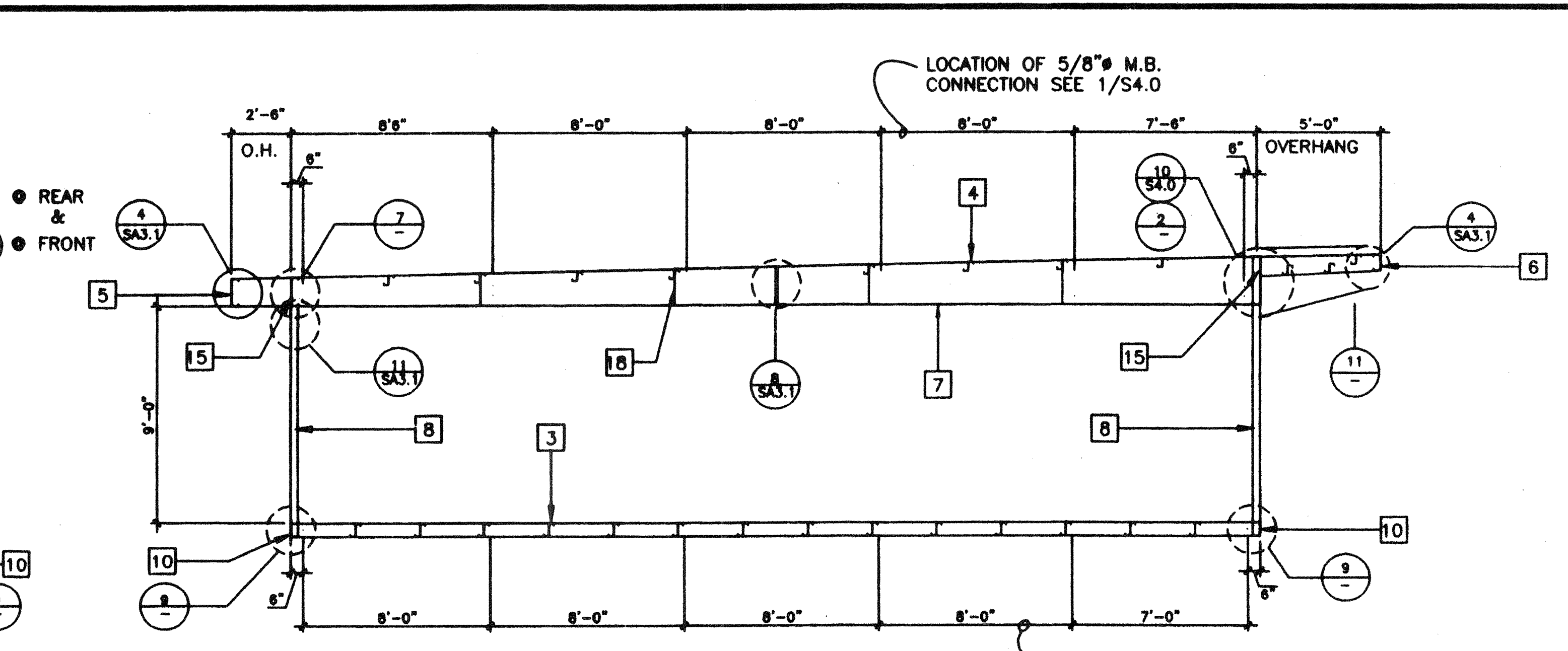
OPTIONAL ENCLOSED SOFFIT SECTION/FRONT 11



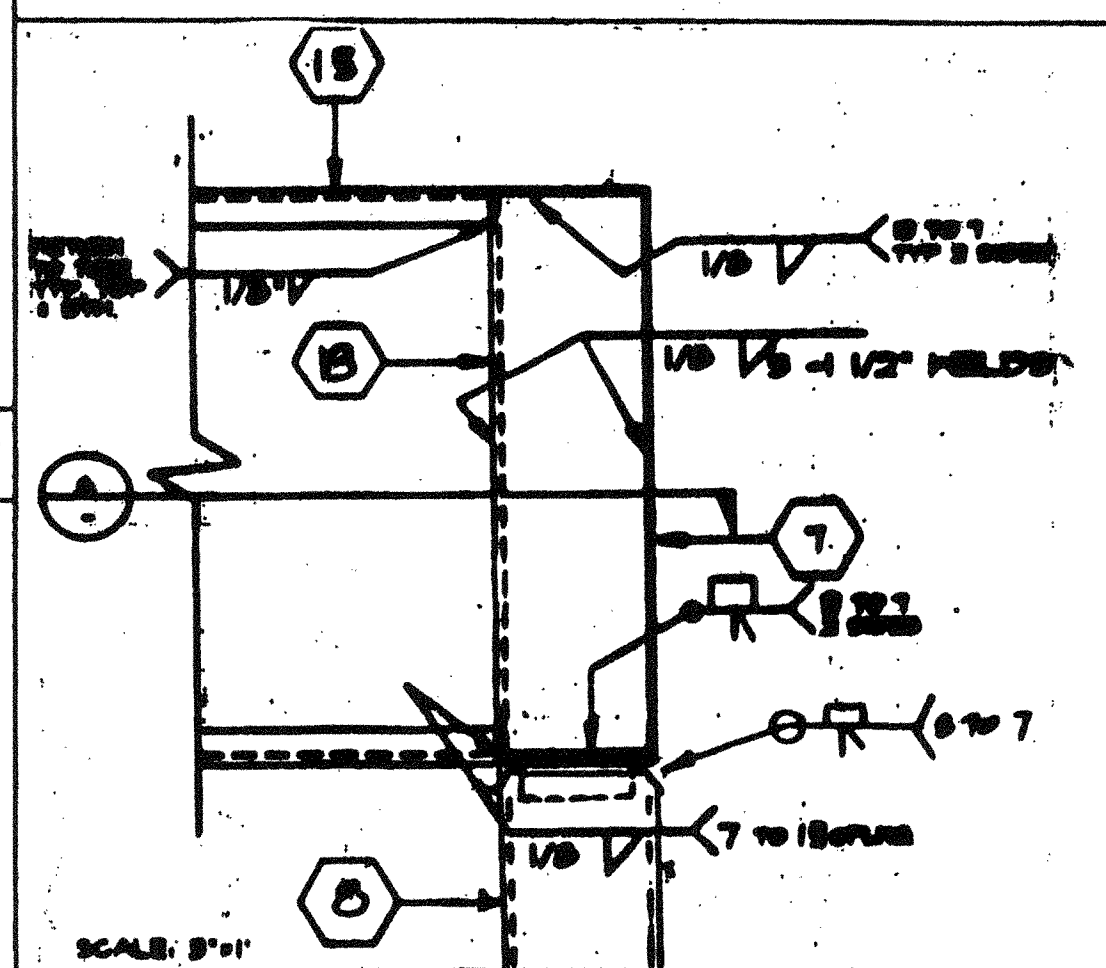
OPTIONAL ENCLOSED SOFFIT SECTION/REAR 11



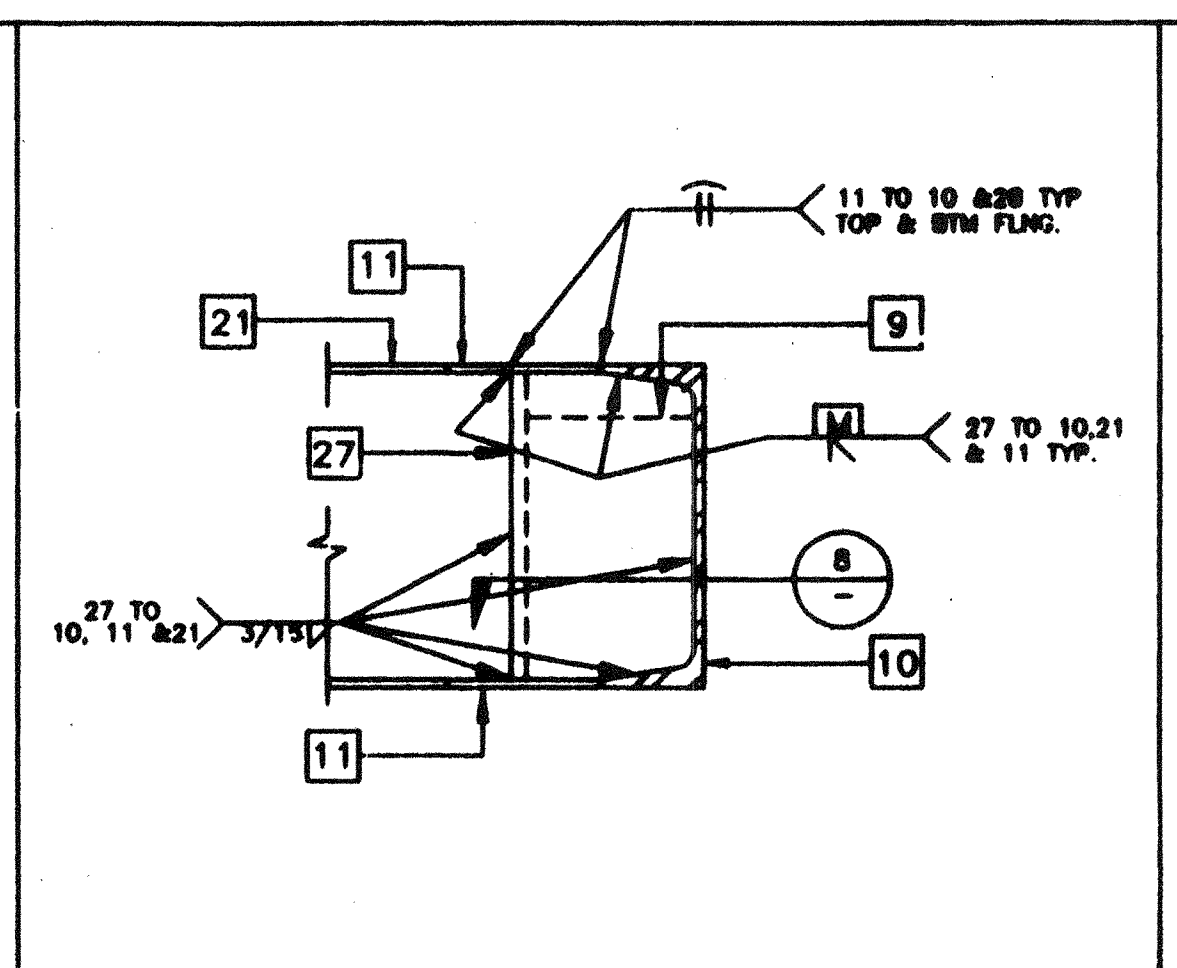
SECTION A AT ENDWALL



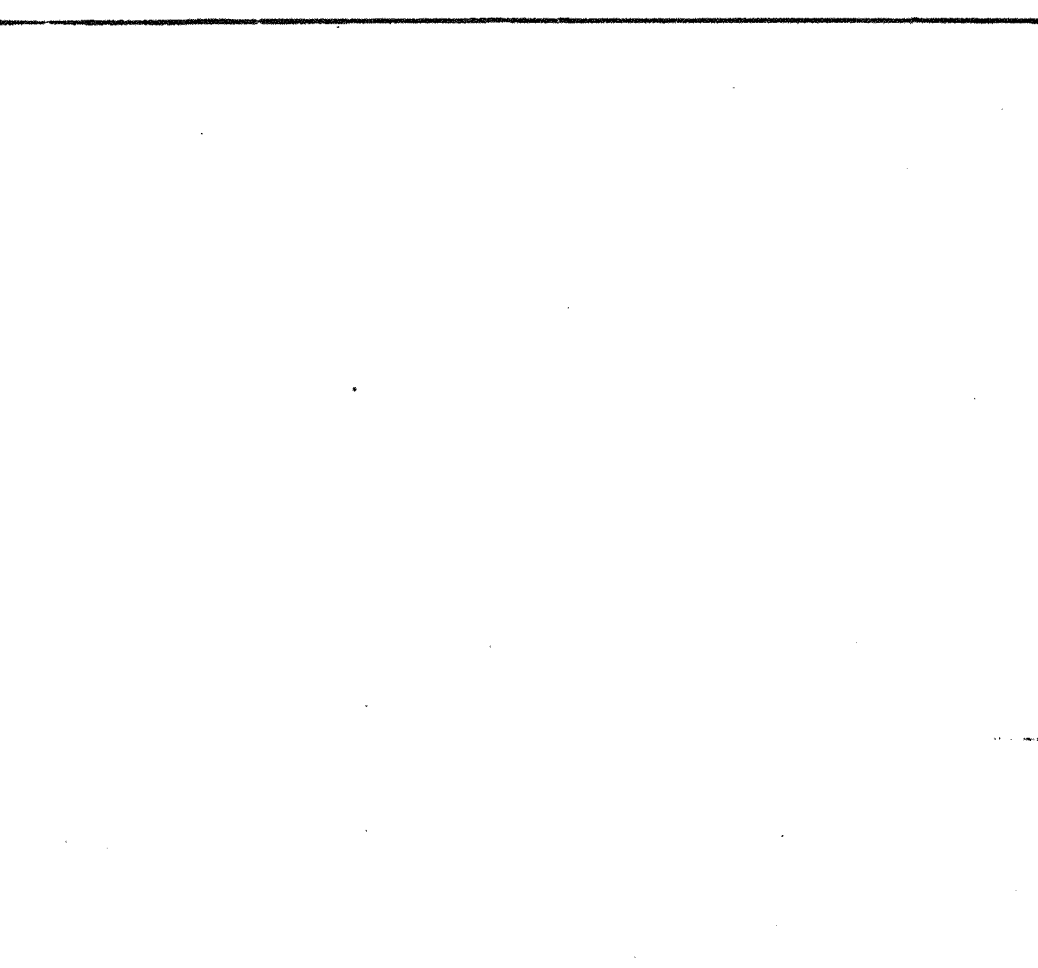
SECTION B AT SIDEWALL



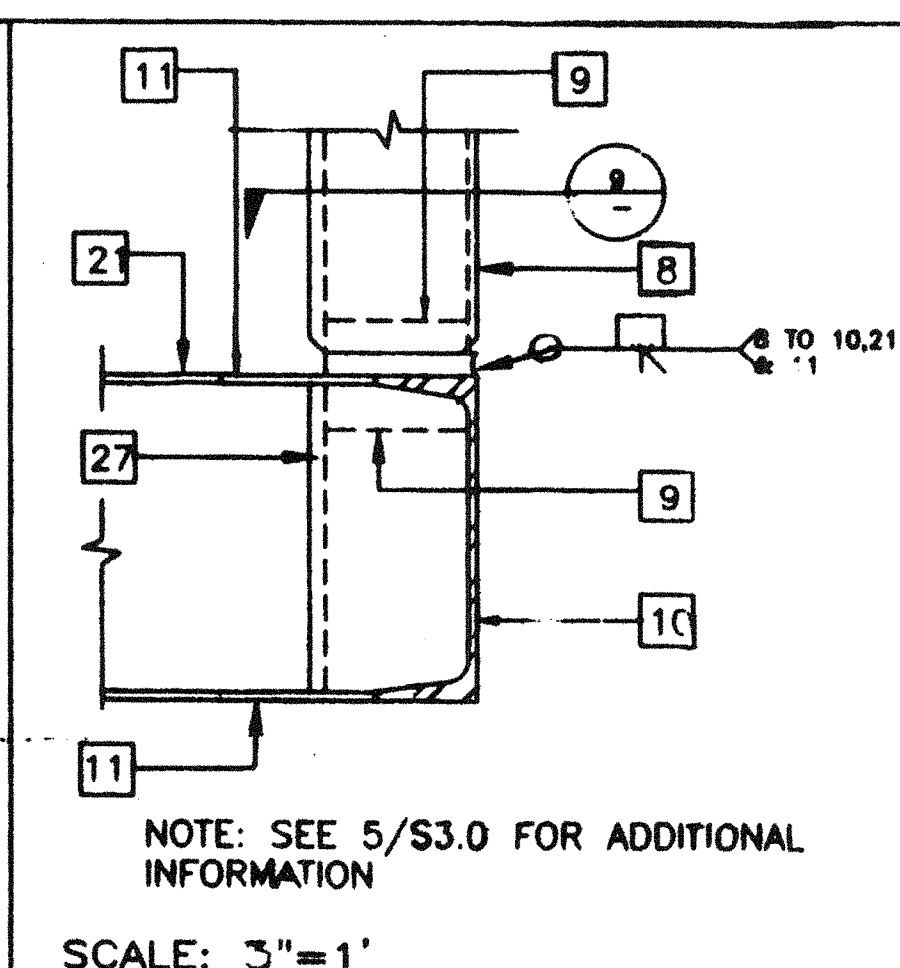
COLUMN CONN. AT ROOF 7



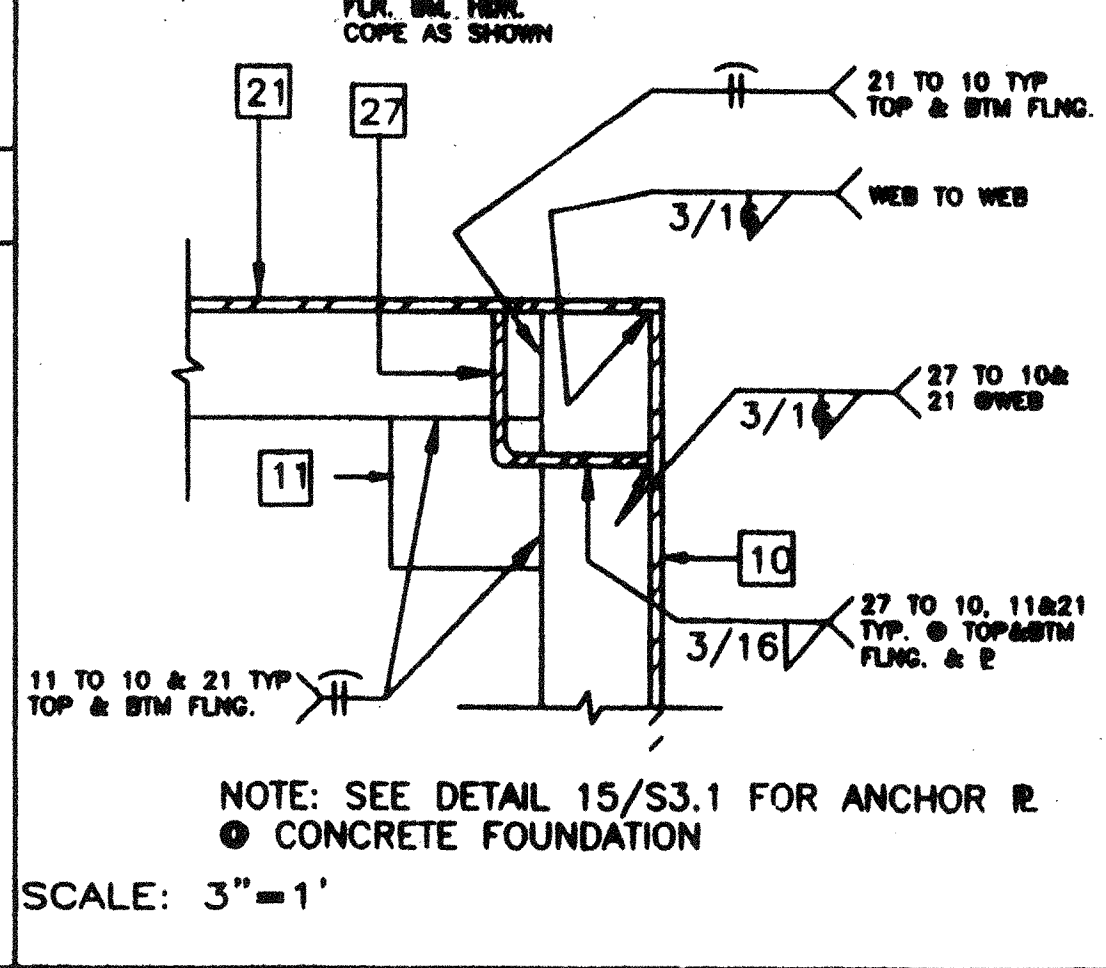
COLUMN CONN. AT FLOOR 5



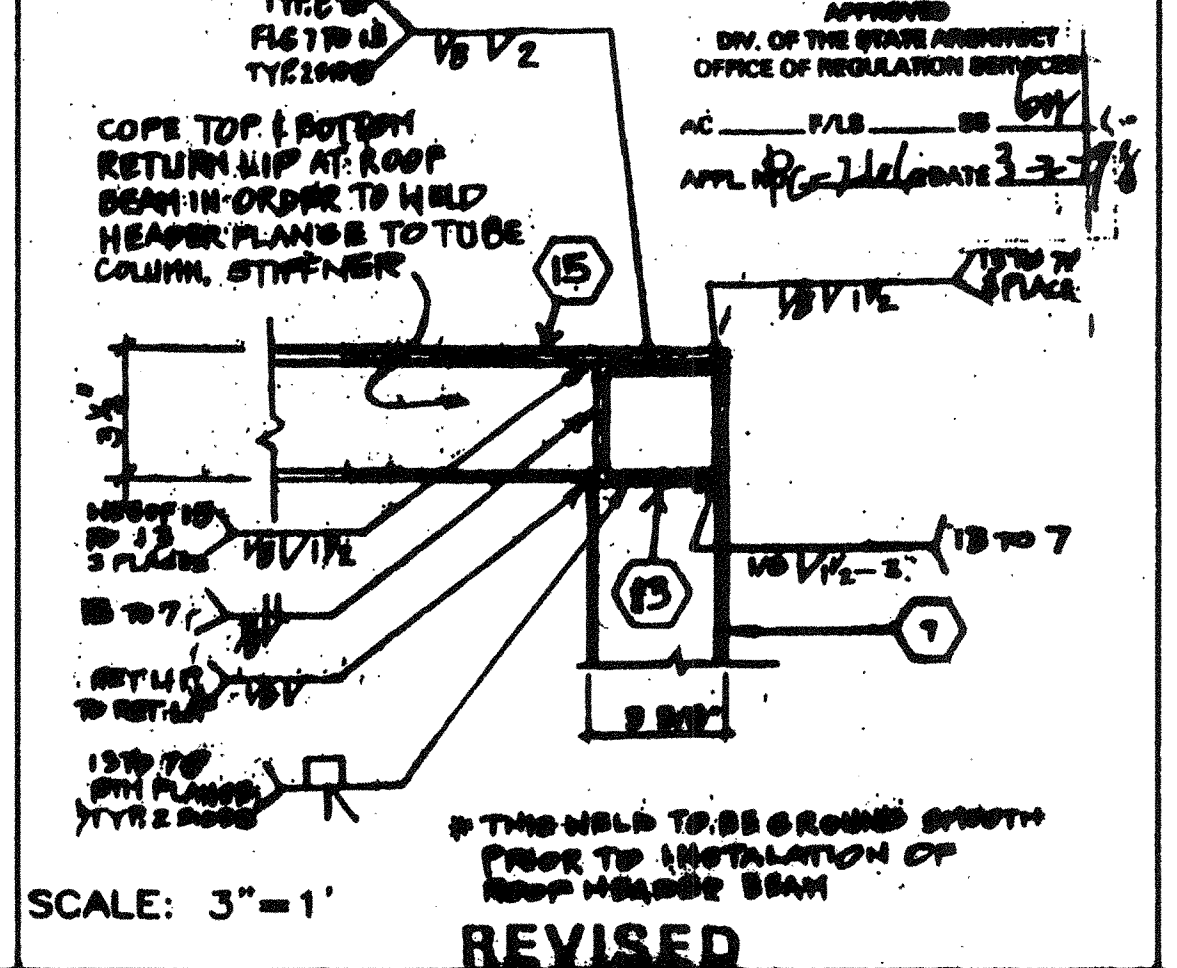
COLUMN CONN. AT FLOOR 3



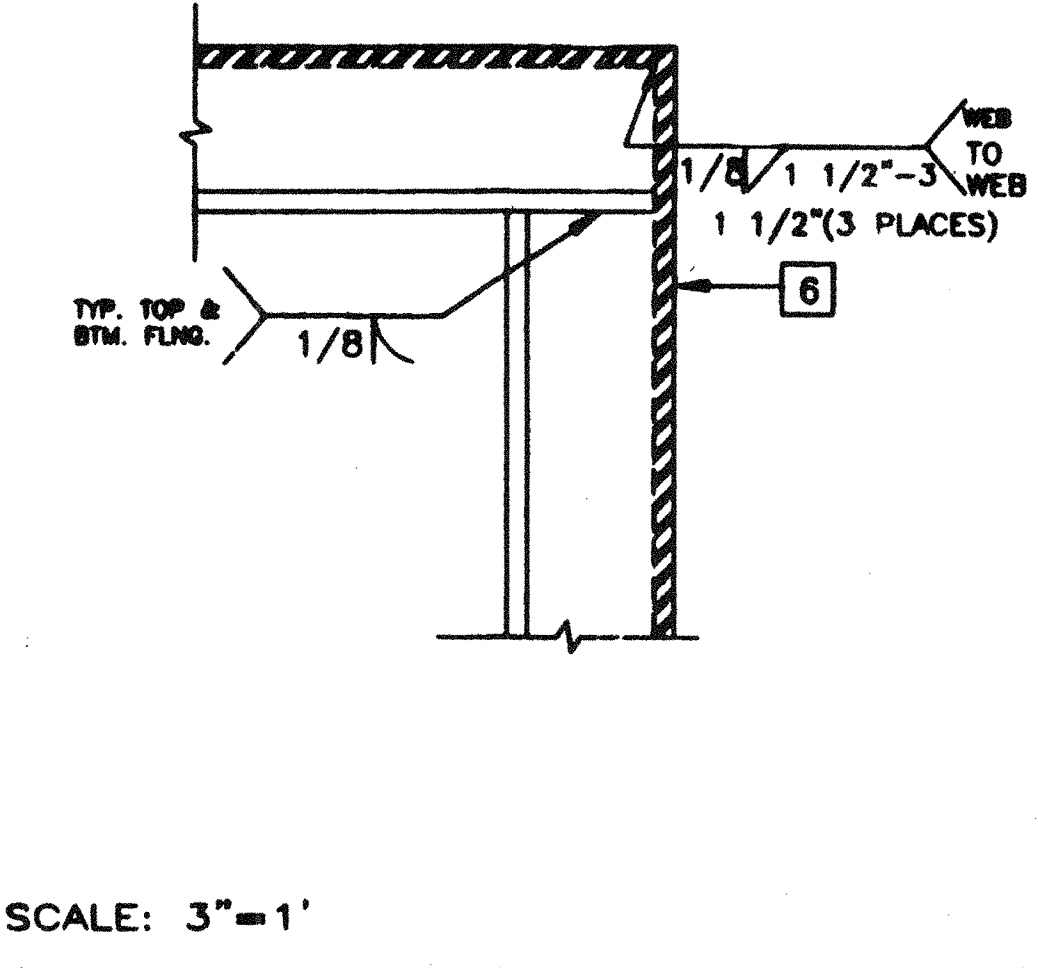
COLUMN CONN. AT FLOOR 1



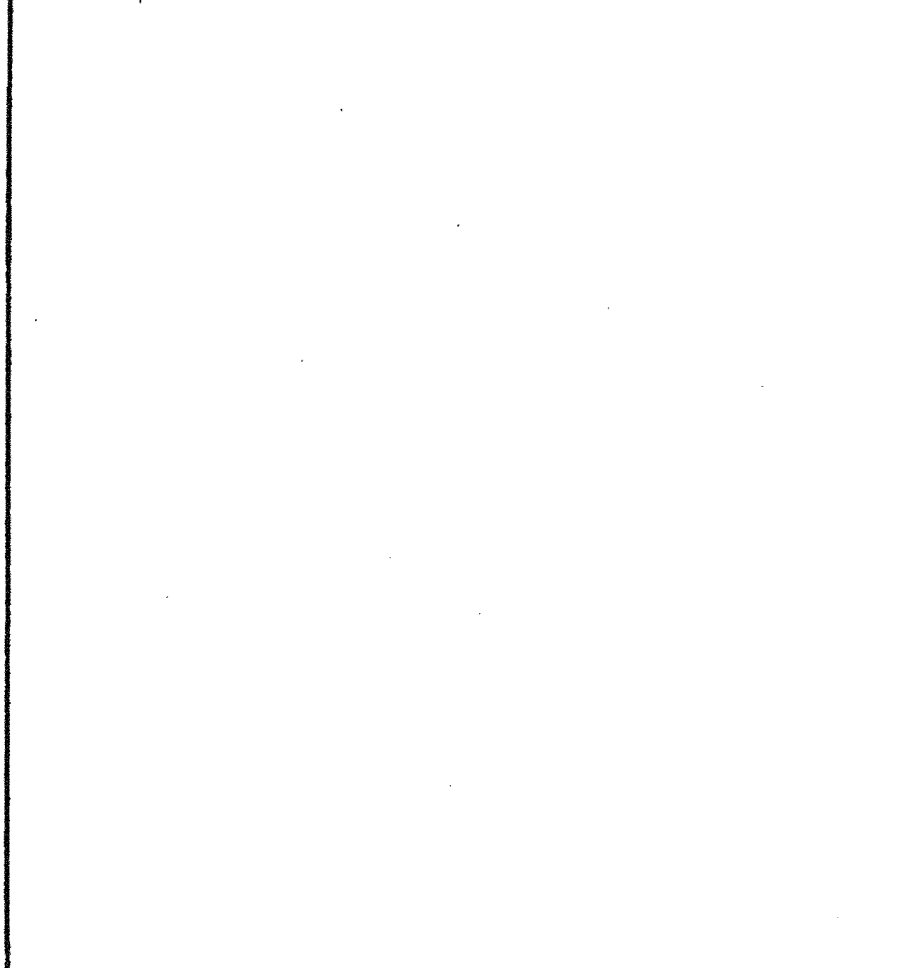
STIFFENER SECTION AT FLOOR 8



STIFFENER SECTION AT ROOF 6



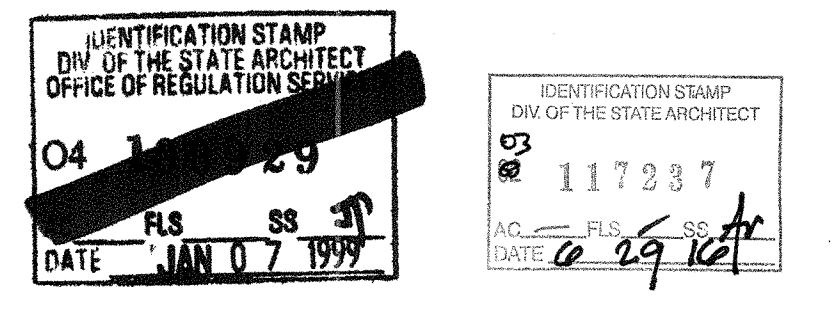
PLAN AT ROOF OVERHANG 4



PLAN AT ROOF OVERHANG 2

KEY NOTES

- 1 EN • PLYWOOD EDGES
- 2 PLYWOOD ROOF SHEATHING
- 3 6 3/8"X2 1/2"X12GA. FLR. JOIST 6/S3.1
- 4 6 X 2 1/2"X 14 GA. ROOF PERLIN 16/S3.1
- 5 [13 3/8"X3 1/2"X14GA. FASCIA 4/S3.1
- 6 [8" X 2" X 14 GA. FASCIA 4/S3.1
- 7 10 GA. TAPERED ROOF BEAM 13 3/8" TO 24" SEE 12/S3.1 REFER TO RF. FRAMING PLAN
- 8 3 1/2"X3 1/2"X1/4" COLUMN
- 9 BACK-UP PLATE MIN. 10 GA.
- 10 [7X9.8 FLOOR CHANNEL
- 11 3 1/2"X3 1/2"X1/4" STEEL PLATE WELDED FLUSH TO TOP AND BOTTOM OF CHANNEL FLANGES
- 12 NOT USED
- 13 SECTION OF 3 1/2"X3 1/2"X1/4" TUBE STEEL COPE TO FIT ROOF BEAM
- 14 NOT USED
- 15 [24" X3 1/2" X12 GA. HEADED FRONT [14"X3 1/2"X12GA. HEADER REAR (SEE 1/S3.1 TYP. 2)
- 16 "Z" STIFFENER @ SOFFIT CLOSURE.
- 17 LOCATION OF HVAC
- 18 1/4" FULL DEPTH STIFFNER PLATE AT 8'-0" O.C. U.N.O. ALIGN WITH PURLIN
- 19 1/2"X 1 1/2"X 14 GA. < TACK WELD IN PLANT
- 20 SCREENED VENT OPENING (4"X14")
- 21 [7X9.8 FLOOR HEADER
- 22 NOT USED
- 23 NOT USED
- 24 #10 STSMS • 6" O.C. TYP. • EN & 12" O.C. F.N. (ALT. AEROSMITH AKN 144.0175 DRIVE PIN)
- 25 NOT USED
- 26 NOT USED
- 27 3 1/2"X3 1/2"X1/4" ANGLE IRON CUT TO FIT FLOOR BEAM
- 28 SOFFIT PLYWOOD (OPTIONAL)



(MONO SLOPE) STKP-42M 11/24/99

REVISIONS	Electrical Engineer's Seal	Mechanical Engineer's Seal	Structural Engineer's Seal	Architect's Seal

Electrical Engineer's Seal

Mechanical Engineer's Seal

Structural Engineer's Seal

Architect's Seal

Division of the State Architect

MODTECH INC.

2830 BARRETT AVENUE
PERRIS, CALIF. 92572
PH (909) 943-4014
FAX (909) 940-0427

PROJECT NUMBER 2986

© MODTECH, INC. 1997

drawn by: 4012-088
checked by: 05 JAN 99
date: 05 JAN 99
Modtech project no:
PROJECT Index No.

STRUCTURAL ELEVATIONS/DETAILS SA3.0

PROJECT NO. 2986