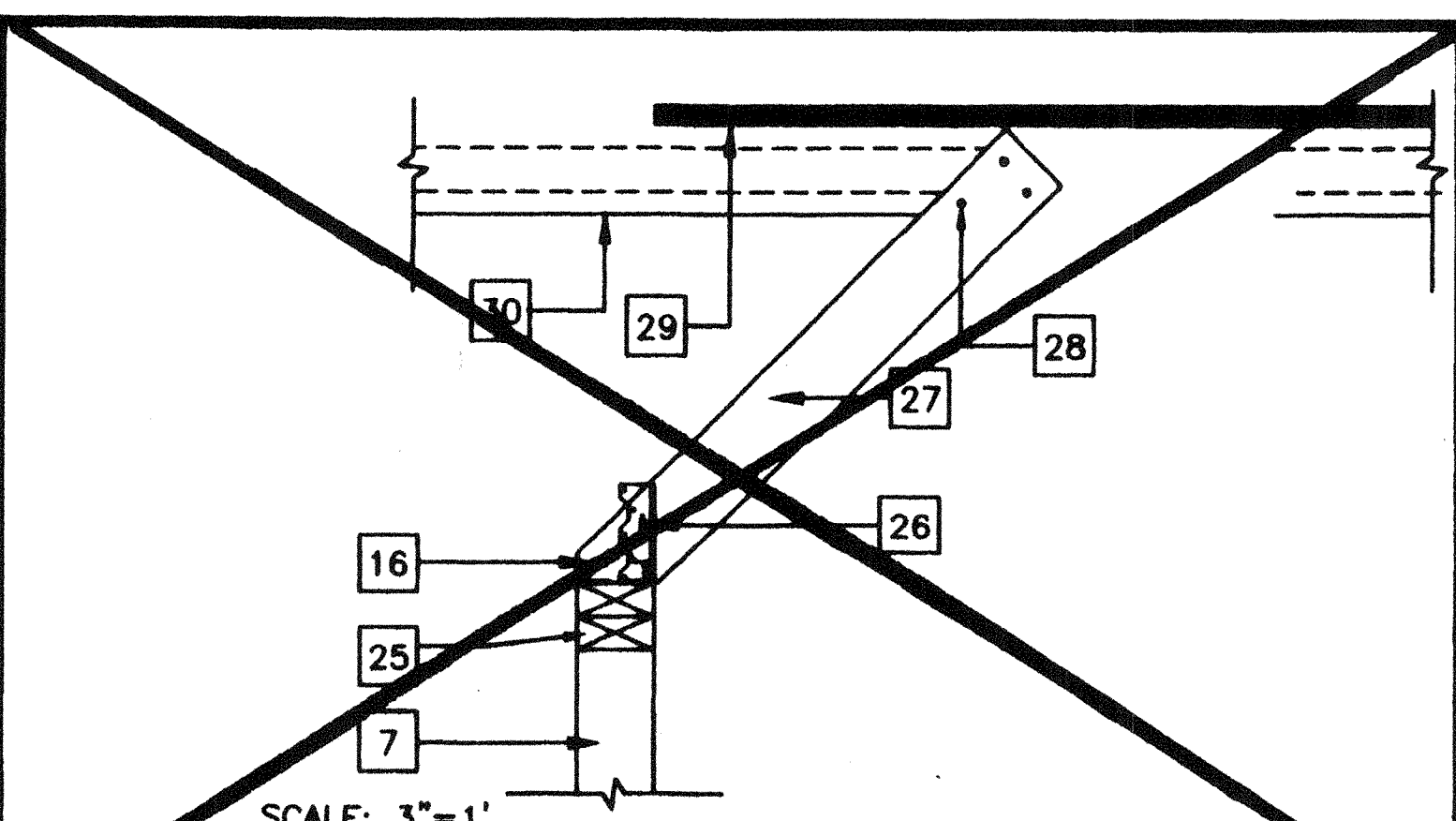


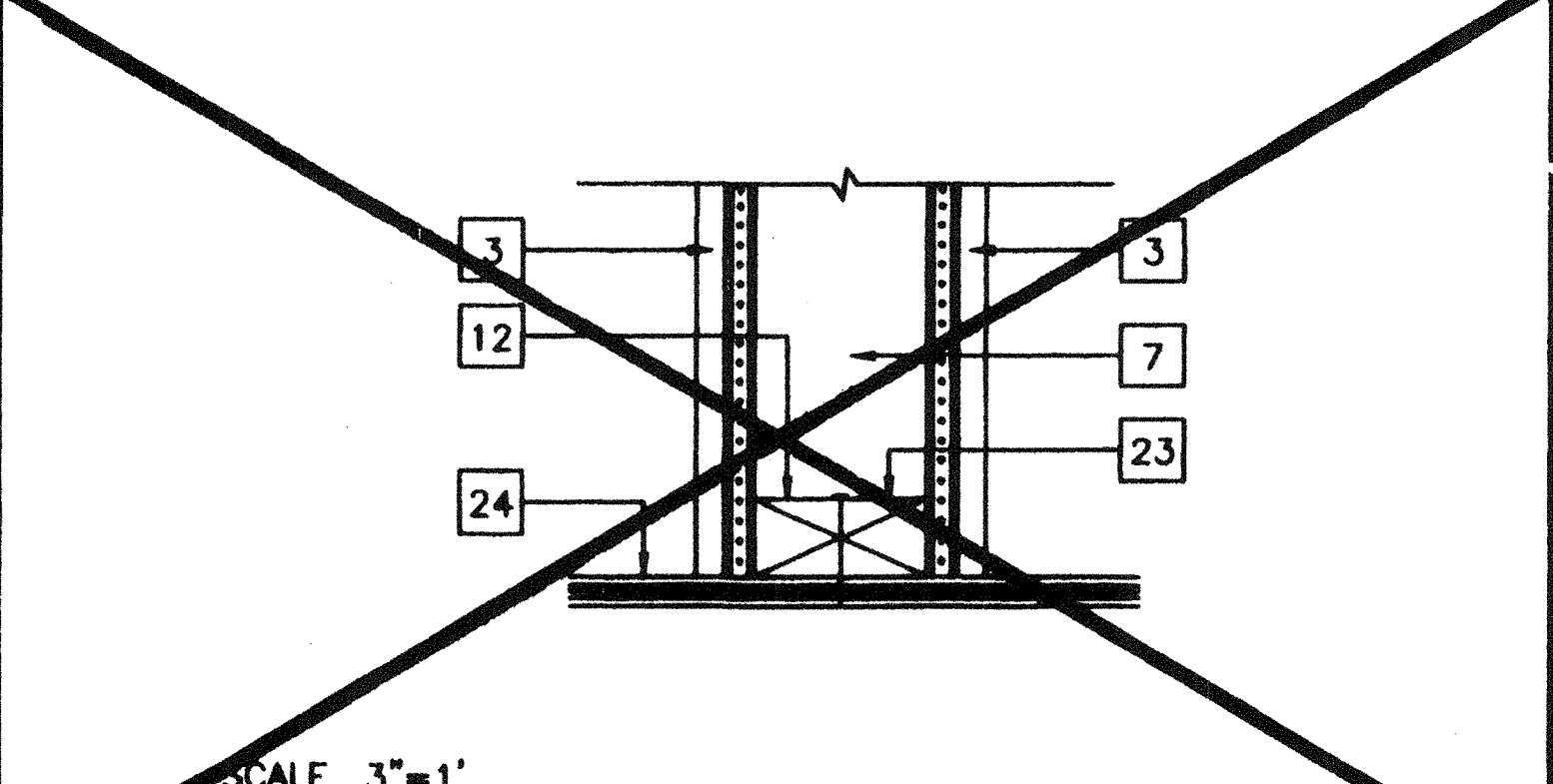
CONNECTION	NAILING	1
1. JOIST TO SILL OR GIRDER, TOENAIL	3-8d	
2. BRIDGING TO JOIST, TOENAIL, END END	2-8d	
3. 1" X 8" (25 mm X 152mm) SUBFLOOR OR LESS TO EACH JOIST, FACE NAIL	2-78d	
4. WIDER THAN 1" X 8" (25 mm X 152 mm) SUBFLOOR TO EACH JOIST, FACE NAIL	3-8d	
5. 2" (51mm) SUBFLOOR TO LOIST OR GRINDER, BLIND AND FACE NAIL	2-16d	
6. SOLE PLATE TO JOIST OR BLOCKING, TYPICAL FACE NAIL	16d at 16" (406mm) o.c.	
7. SOLE PLATE TO JOIST OR BLOCKING, AT BRICKED WALL PANELS	3-16d per 16" (406mm)	
8. TOP PLATE TO STUD, END NAIL	2-16d	
9. STUD TO SOLE PLATE	4-8d, toenail or 2-16d, end nail	
10. DOUBLE STUDS, FACE NAIL	16d at 24" (610mm) o.c.	
11. DOUBLE TOP PLATES, TYPICAL FACE NAIL	8-16d	
12. DOUBLE TOP PLATES, LAP SPLICE		
13. BLOCKING BETWEEN JOISTS OR RAFTERS TO TOP PLATE, TOENAIL	3-8d	
14. RIM JOIST TO TOP PLATE, TOENAIL	8d at 8" (152mm) o.c.	
15. TOP PLATES, LAP AND INTERSECTIONS, FACE NAIL	2-16d	
16. CONTINUOUS HEADER TWO PIECES	16d at 16" (406mm) o.c. along each edge	
17. CEILING JOIST TO PLATE, TOENAIL	3-8d	
18. CONTINUOUS HEADER TO STUD, TOENAIL	4-8d	
19. CEILING JOISTS, LAP OVER PARTITIONS, FACE NAIL	3-16d	
20. CEILING JOIST TO PARALLEL RAFTERS, FACE NAIL	3-16d	
21. RAFTER TO PLATE, TOENAIL	3-8d	
22. 1" (25 mm) BRACE TO EACH STUD AND PLATE, FACE NAIL	2-8d	
23. 1" X 8" (25 mm X 203 mm) SHEATHING OR LESS TO EACH BEARING, FACE NAIL	3-8d	
24. WIDER THAN 1" X 8" (25 mm X 203 mm) SHEATHING TO EACH BEARING, FACE NAIL	3-8d	
25. BUILT-UP CORNER STUDS	16d at 24" (610mm) o.c.	
26. BUILT-UP ORDER AND BEAMS	20d at 32" (813 mm) O.C. AT TOP AND BOTTOM AND STAGGERED 2-20d AT ENDS AND AT EACH SPLICE.	
27. 2" (51mm) PLANKS		
28. WOOD STRUCTURAL PANELS AND PARTICLEBOARD 2		
SUBFLOOR, ROOF AND WALL SHEATHING (TO FRAMING) (1 INCH=25.4mm)		
1/2" AND LESS	8d ⁵	
19/32" - 3/4"	8d ⁴ OR 8d ⁵	
7/8" - 1"	8d ³	
1 1/8" - 1 1/4"	10d ⁴ OR 8d ⁵	
COMBINATION SUBFLOOR-UNDERLAYMENT (TO FRAMING) (1 INCH=25.4mm)		
3/4" AND LESS	8d ⁵	
7/8" - 1"	8d ⁵	
1 1/8" - 1 1/4"	10d ⁴ OR 8d ⁵	
29. PANEL SIDING (TO FRAMING):		
1/2" (13 mm) OR LESS	8d ⁶	
5/8" (16 mm)	8d ⁶	
30. FIBERBOARD SHEATHING		
1/2" (13 mm)	NO 11 GA 8	
	NO 18 GA 9	
	NO 11 GA 8	
	NO 18 GA 9	
31. INTER PANELING		
1/4" (6.4 mm)	4d 10	
3/8" (9.5 mm)	6d 11	

NOTE: All nail shall be box nails unless otherwise noted.

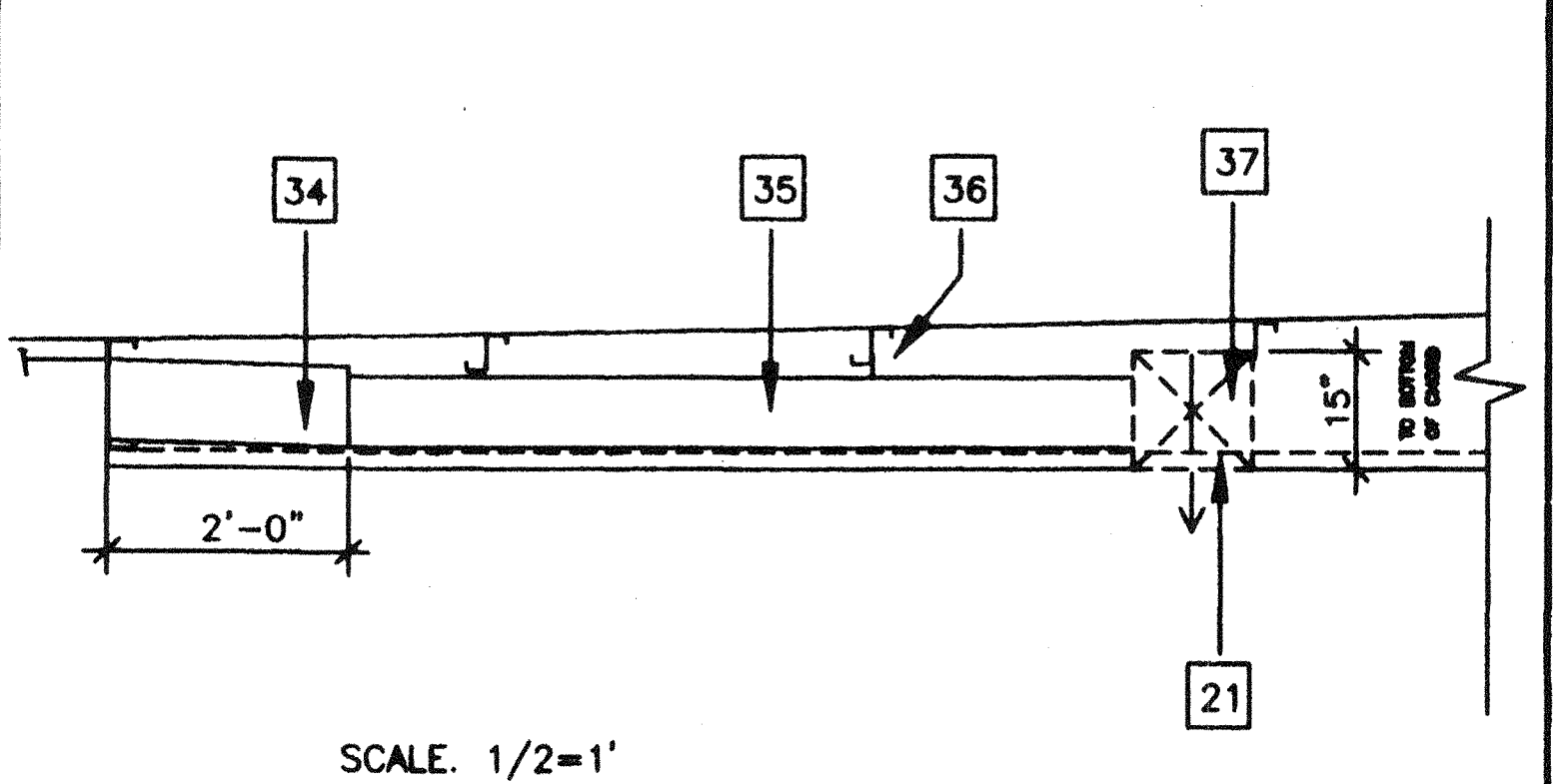
REVISIONS	Electrical Engineer's Seal	Mechanical Engineer's Seal	Structural Engineer's Seal	Architect's Seal	Division of the State Architect



PERPENDICULAR PARTITION CONNECTION 9



INT. PARTITION CONN AT FLOOR 10

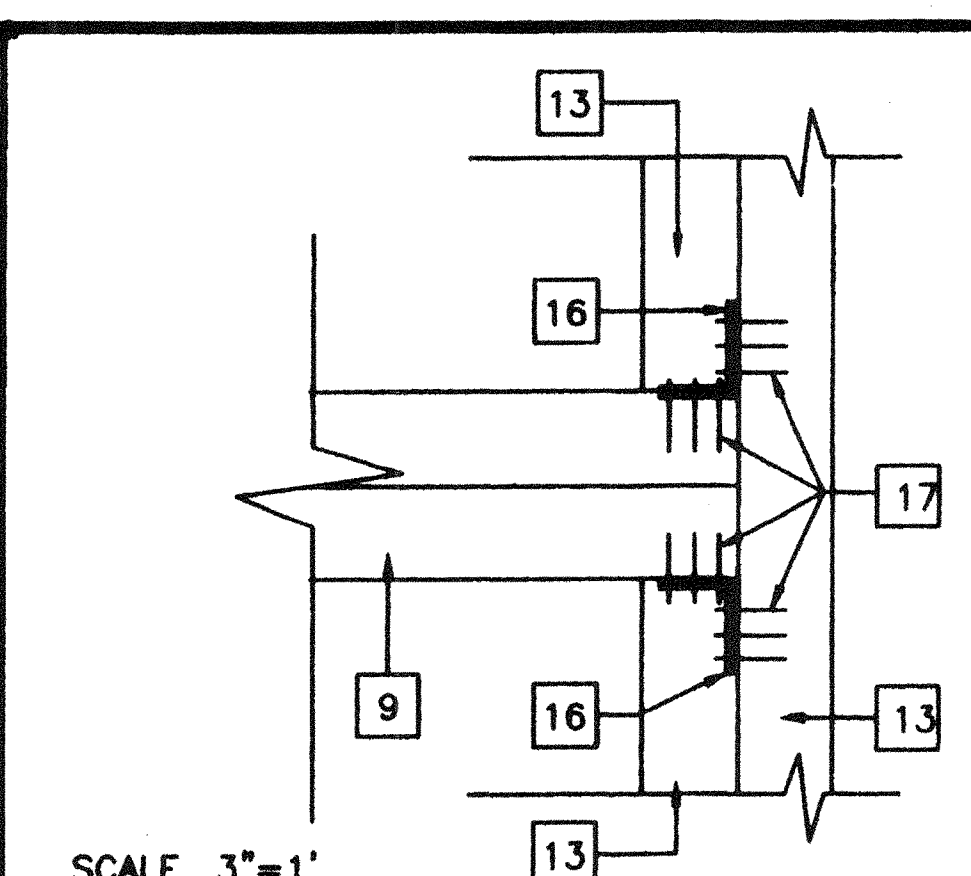


SECTION: HVAC IN ROOF 11

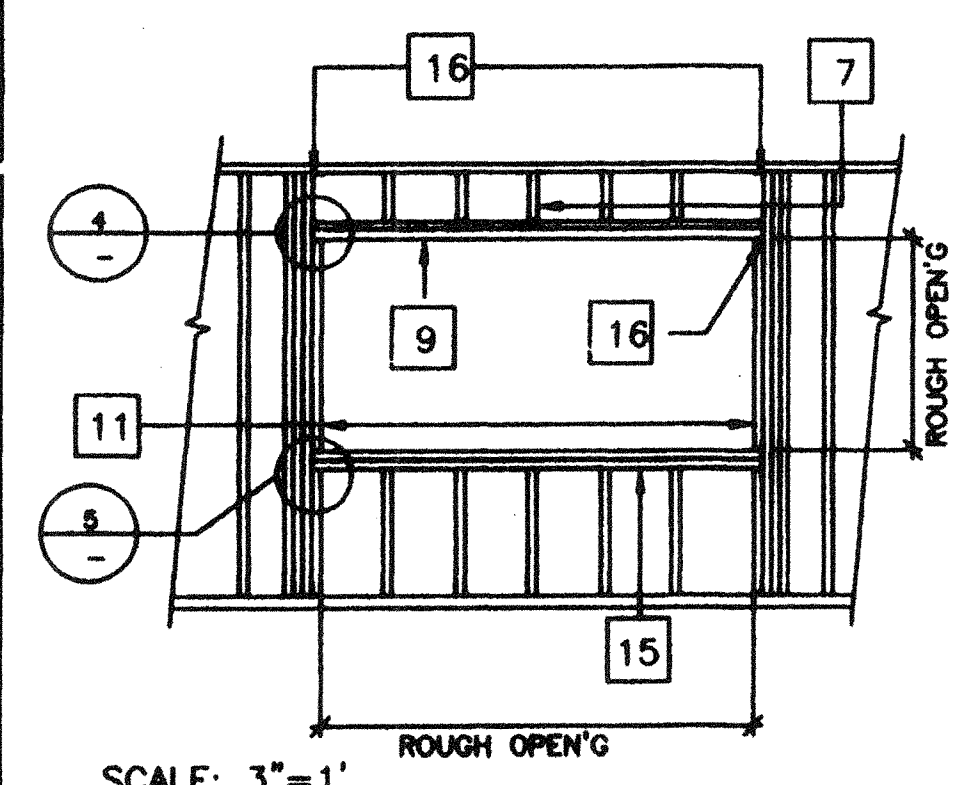
OPENING SCHEDULE		ROUGH OPENING			
OPENING	HDR.	SILL	JAMB	HEIGHT	WIDTH
3068	(2) 2X4	(2) 2X4	(2) 2X4	81 1/4"	38"
8040	(3) 2X4	(2) 2X4	(4) 2X4	48 1/8"	96 1/8"

ALTERNATE: METAL STUD 24 HDS350 IN LIEU OF 2X4 WD STUDS

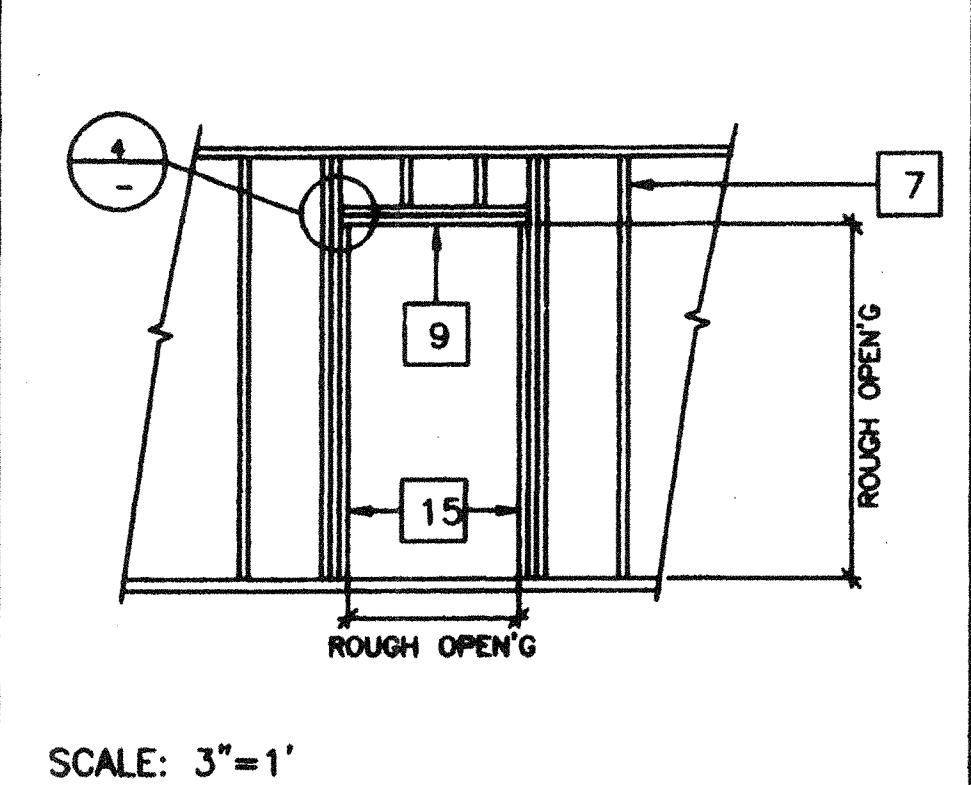
ROUGH OPENING SCHEDULE REVISED 12



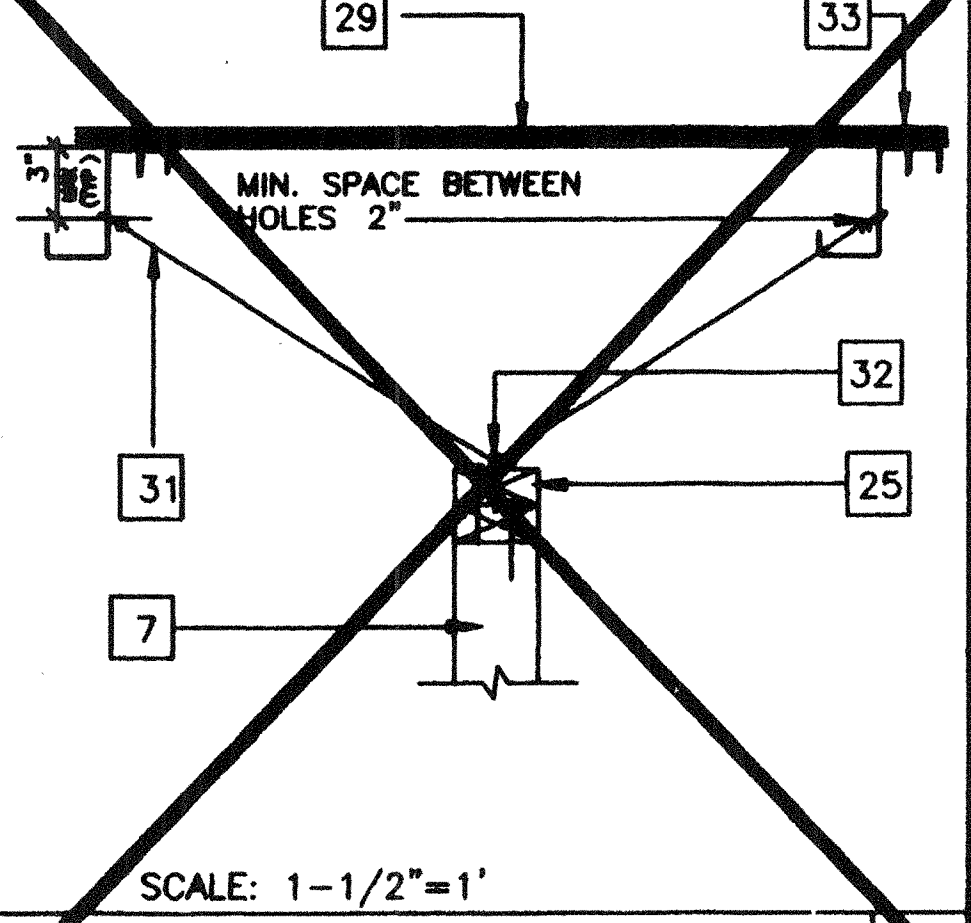
WINDOW SILL AT JAMB 5



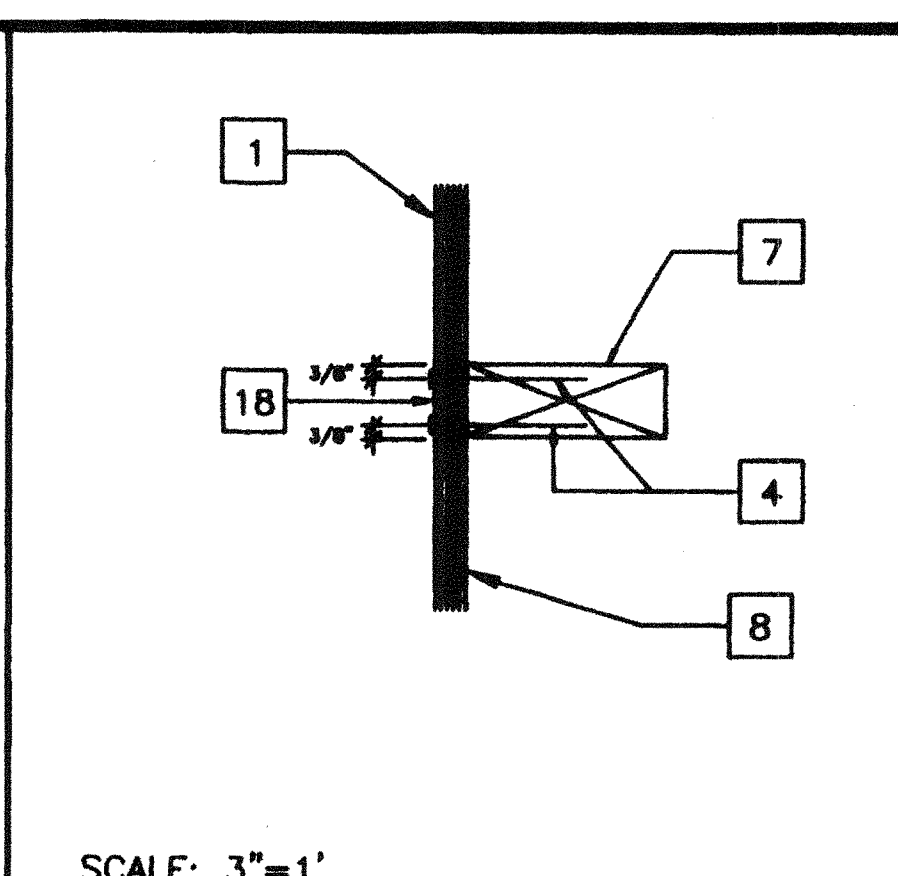
TYP. WINDOW FRAMING 6



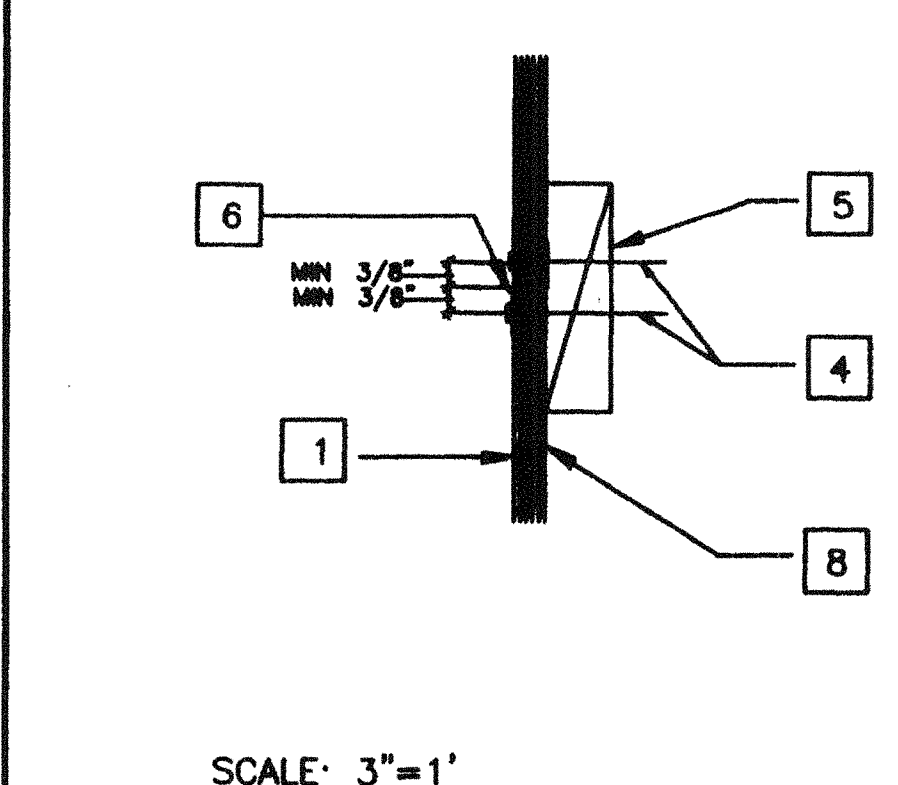
TYP. DOOR FRAMING 7



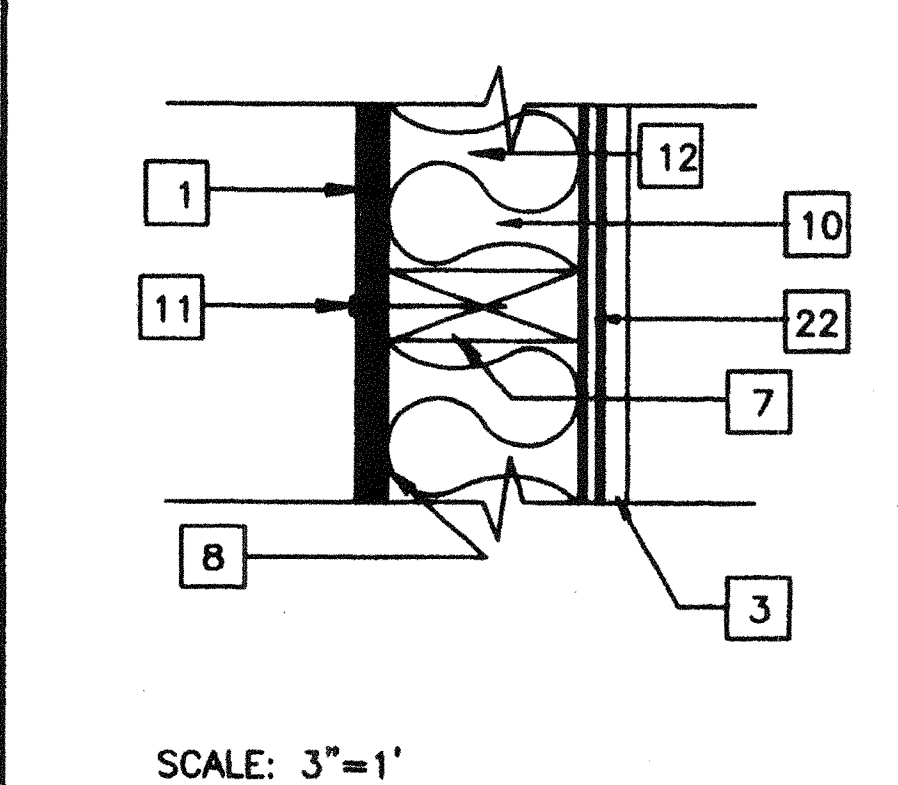
DETAIL PARALLEL PARTITION CONN 8



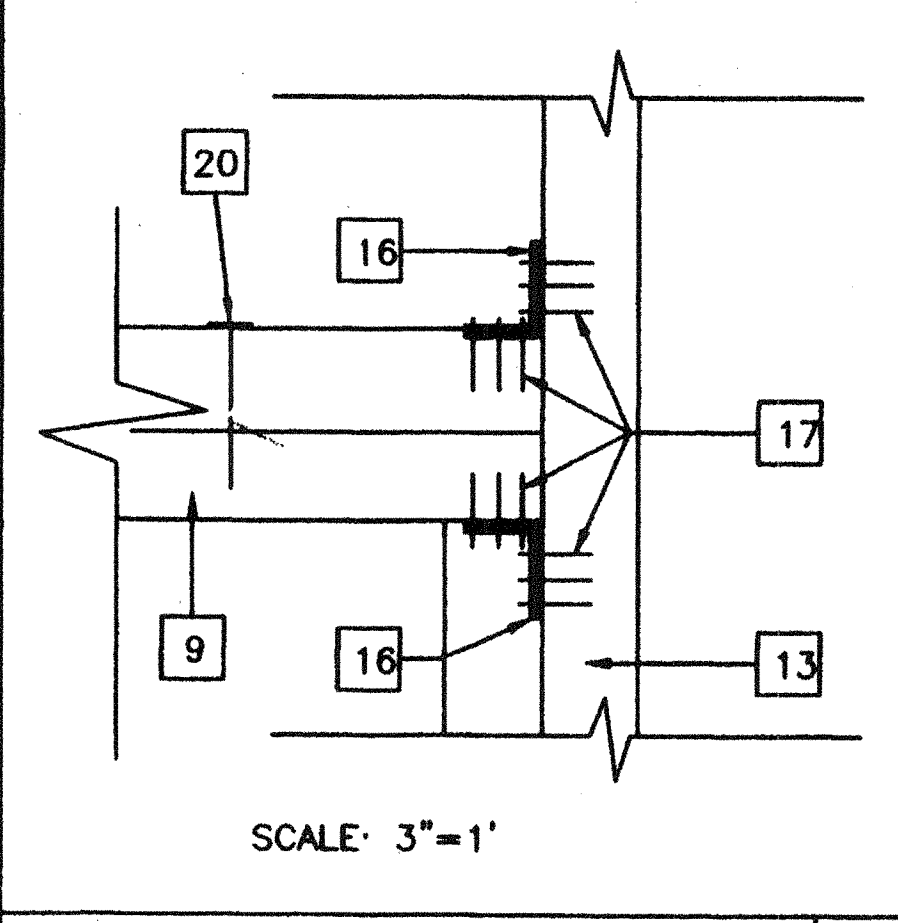
DETAIL AT VERT. PLYWOOD EDGES 1



DETAIL AT HORIZ. PLYWOOD JOISTS 2



SECTION AT STUD 3



HEADER DETAIL 4

- ### KEY NOTES
- EXTERIOR PLYWOOD SIDING - SHEATHING NAIL W/GALV. BOX NAILS - 8d @ 6" O.C EDGES, 8d @ 12" O.C. IN FIELD
 - GYP. BOARD
 - TYP. INTERIOR FINISH-SEE FINISH SCHEDULE
 - E.N.
 - 2X4 BLK'G
 - "Z" FLASHING
 - 2X4 @ 16" O.C.
 - WATERPROOF MEMBRANE
 - HEADER SEE SCHEDULE 12/S5.1
 - INSULATION SEE SPECIFICATIONS
 - 8d ELECTRO GALV. 12" O.C.FN.
 - 2X4 SILL PLATE (BELOW)
 - FULL HEIGHT STUDS AND 1-2X4 TRIMMER (SEE WINDOW SCHEDULE FOR JAMB STUDS REQ'D)
 - NOT USED
 - SILL PLATE (SEE SCHEDULE)
 - A 34 CLIPS @ HEADER AND SILL TO FULL HEIGHT STUDS AND FULL HEIGHT STUDS TO TOP AND BOTTOM PLATES
 - 9GA. 8d 1 1/2" NAILS
 - LAP JOINT
 - NOT USED
 - 16D @ 16" O.C.
 - ROOF CHANNEL
 - ATTACH GYP. BD. TO STUDS W/6d COOLERS @ 6" O.C.
 - 2X4 BOTTOM PLATE W/16d @ 16" O.C
 - PLYWOOD FLOOR
 - 2X4 DBL TOP PLATE
 - SIMPSON A35 W/8d X 2 1/2"
 - 2X4 BRACE @ 8'-0" O.C. MAX. @ MAX 45'
 - #12 X 2 TYPE A HEX HEAD SCREWS W/WASHERS (TYP. FOR 3)
 - PLYWOOD SHEATHING
 - ROOF PURLIN
 - ATTACH 12GA. BRACE WIRES TO EYE LAG SCREWS AND TO ROOF PURLINS @8'-0" O.C. ENDS TO HAVE 4 TIGHT WRAPS IN 1-1/2"
 - 1/4" 2-1/2" EYE LAG SCREW @8'-0" O.C. (2" EMBEDMENT)
 - ATTACH PER ROOF FRAMING PLAN (TYP.)
 - PLENUM
 - DUCTWORK
 - ROOF PURLIN
 - TRANSFER BOX

IDENTIFICATION STAMP
DIV. OF THE STATE ARCHITECT
OFFICE OF REGULATION

04 1 29
JAN 07 1999

IDENTIFICATION STAMP
DIV. OF THE STATE ARCHITECT
OFFICE OF REGULATION

03 117337
JAN 07 1999

STKP-42-1/24/98

PROJECT NUMBER: 2986 © MODTECH, INC. 1997

drawn by: 4012-088
date: 05 JAN 99
checked by: 05 JAN 99
date: 05 JAN 99
project no: 2986

MODTECH Index No: S5.1

MODTECH INC.
2830 BARRETT AVENUE
PERRIS, CALIF. 92572
PH (909) 943-4014
FAX (909) 940-0427

Division of the State Architect
IDENTIFICATION STAMP
DIV. OF THE STATE ARCHITECT
OFFICE OF REGULATION SERVICES

PC-266
JUN 2 1997

PROJECT NO. PC-266