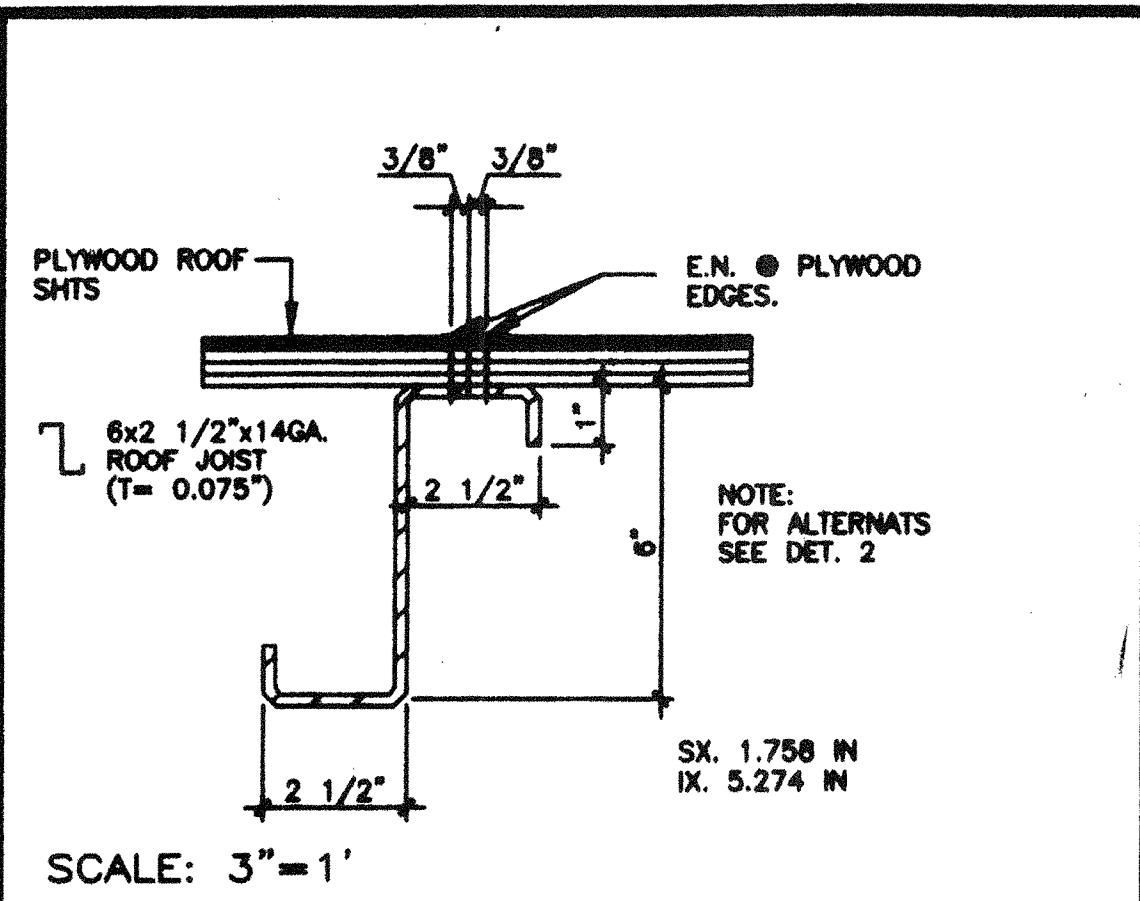
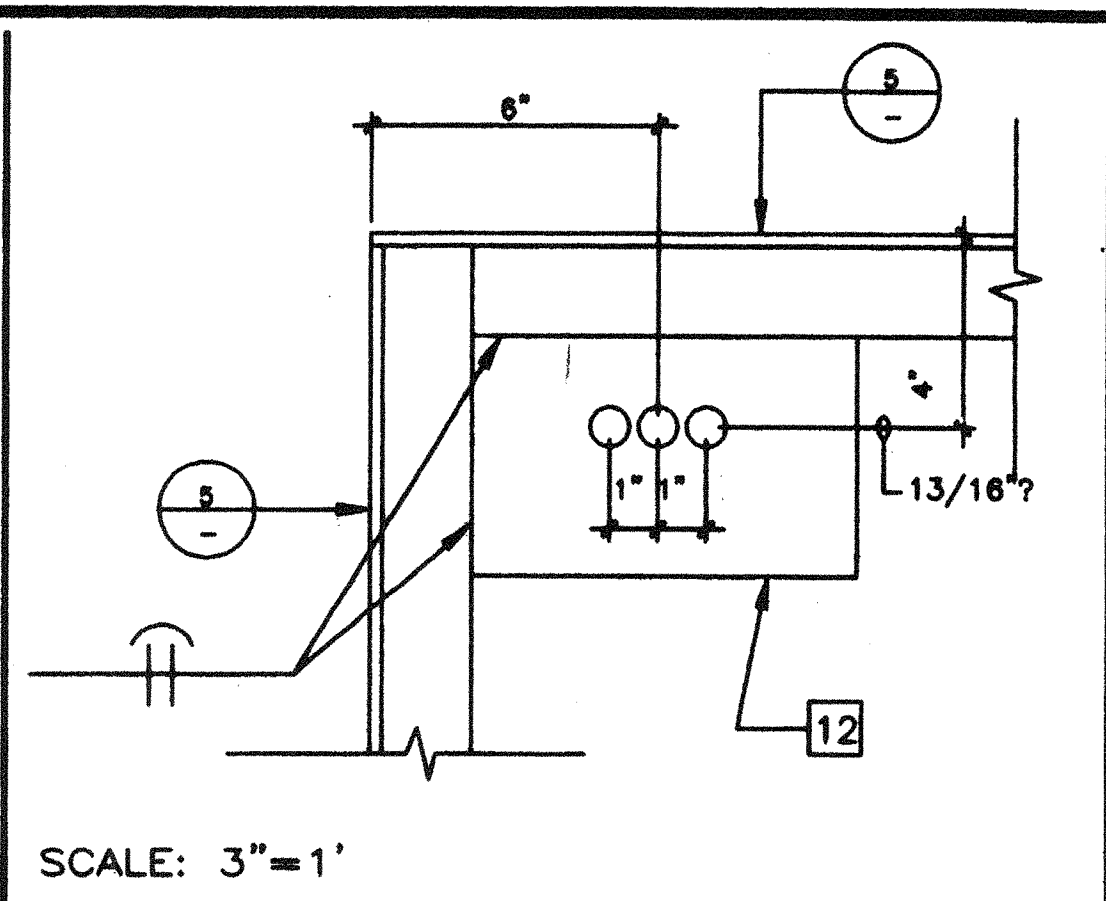


KEY NOTES

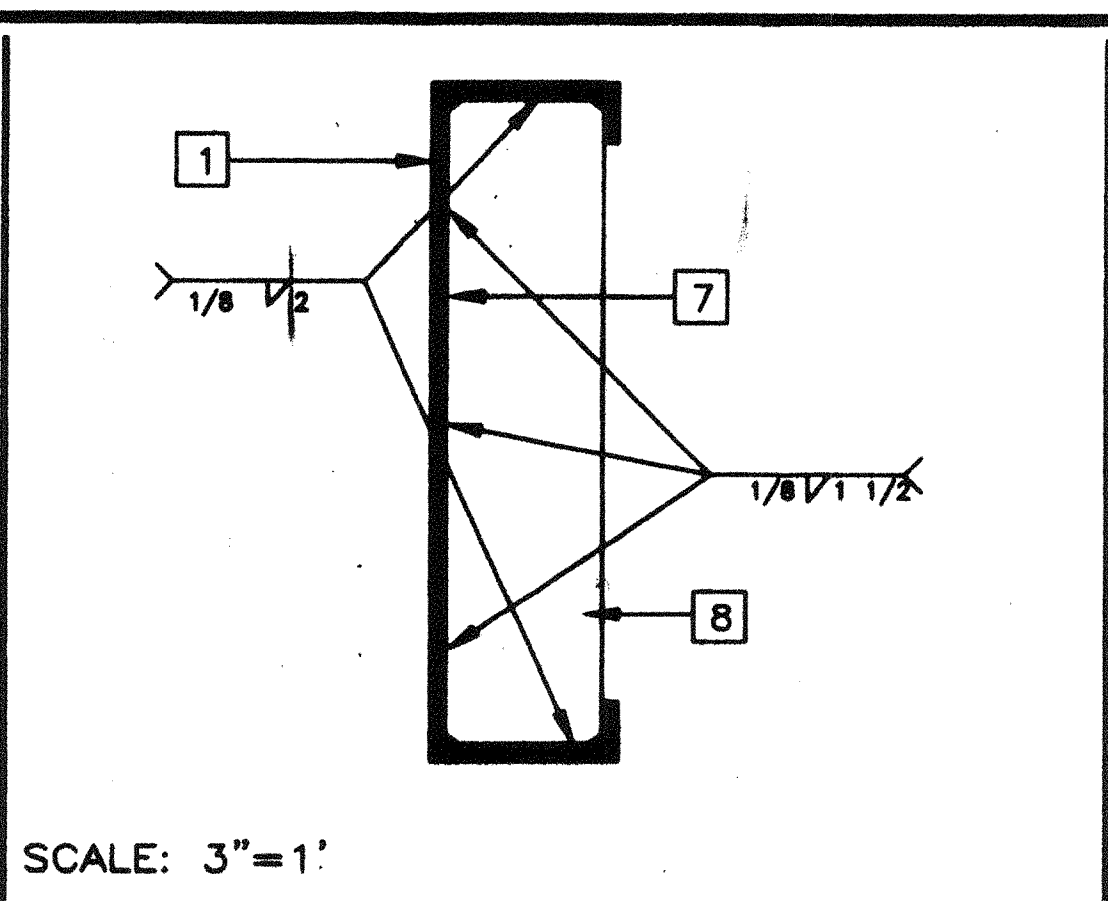
- 1 10GA. TAPERED RF. BM. SEE 7/S3.1
- 2 BACK-UP PLATE MIN. 10GA.
- 3 3 1/2"x3 1/2"x1/4" COLUMN
- 4 [14"x12GA. RF. HDR. SEE 3/S3.1
- 5 3 1/2"x3 1/2"x1/4" TUBE COPE TO FIT RF. BM.
- 6 FLOOR JOIST SEE 6/S3.1
- 7 10GA. BENT PLATE BACK-UP
- 8 1/4" STIFFENER
- 9 #10 STMS @ 6" O.C. (SEE S1.0)
- 10 PLYWOOD FLR. SHEATHING
- 11 FLOOR BEAM SEE 5/S3.1
- 12 5"x8"x1/4"?
- 13 ADDITIONAL SPLICE LOCATION (OPTIONAL)



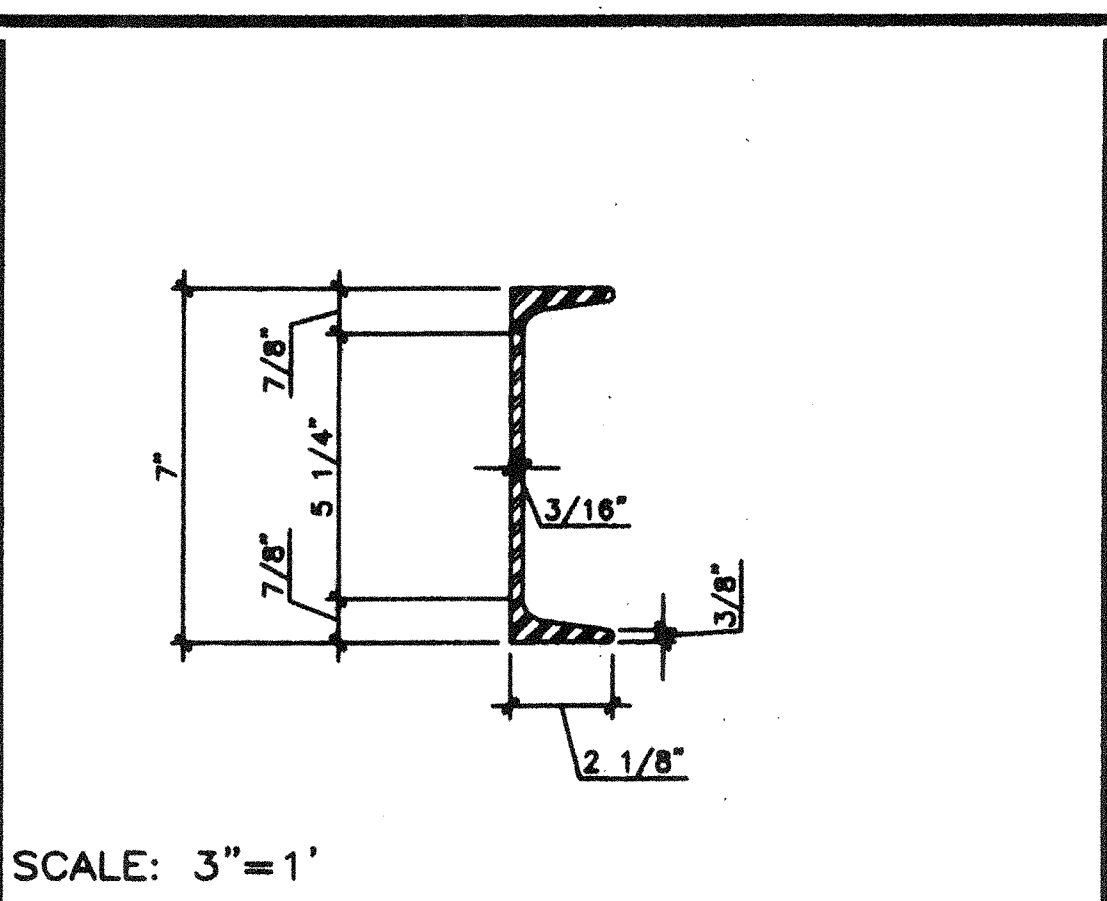
ROOF PURLIN 16



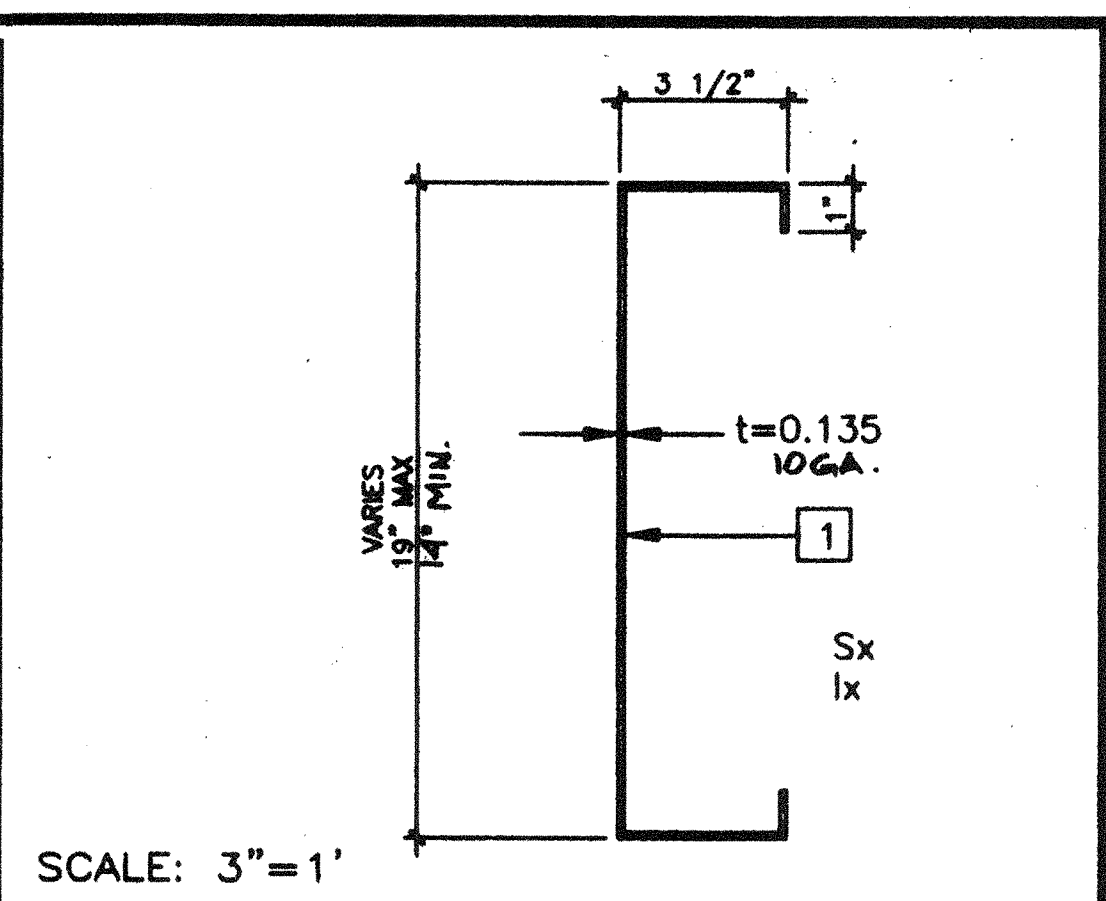
ANCHOR PLATE AT CONC. FOUND. 12



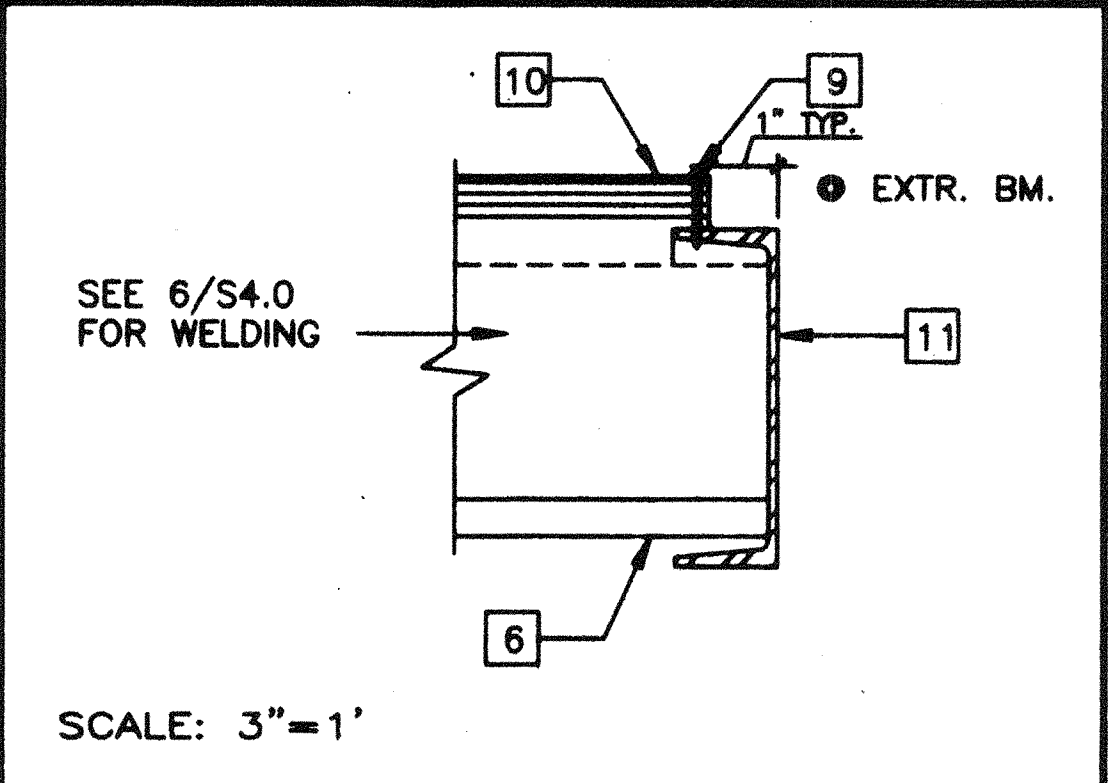
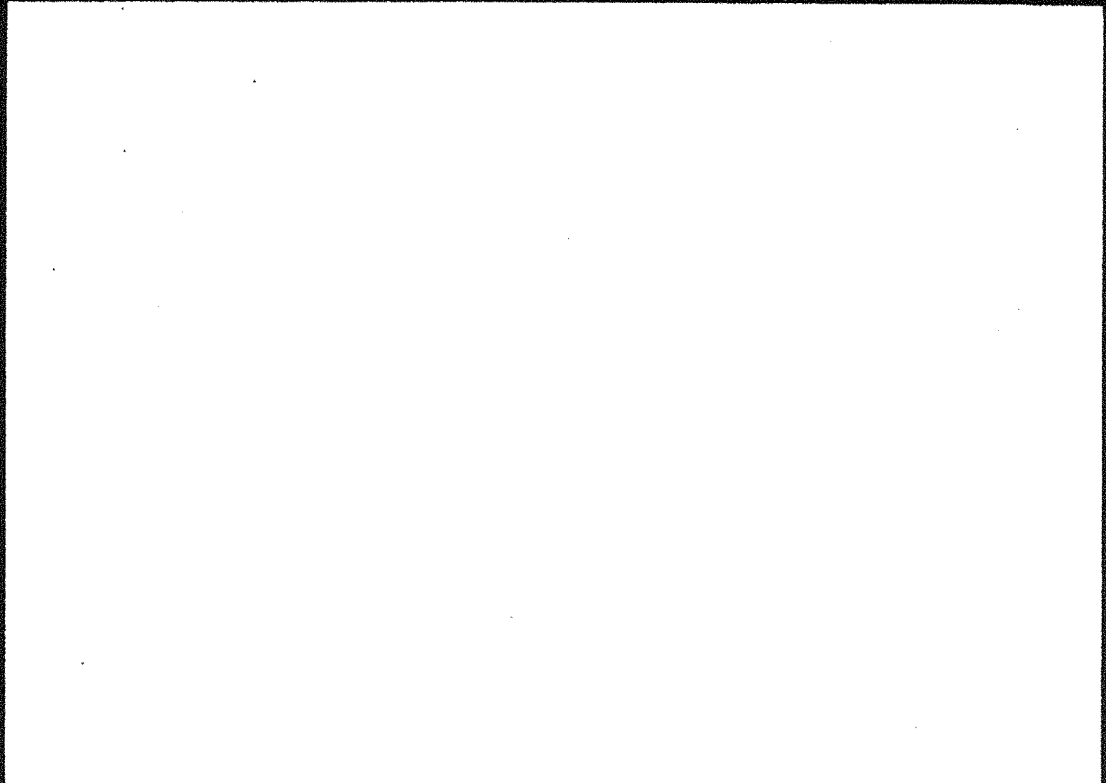
BEAM SPLICE W/STIFFENER 9



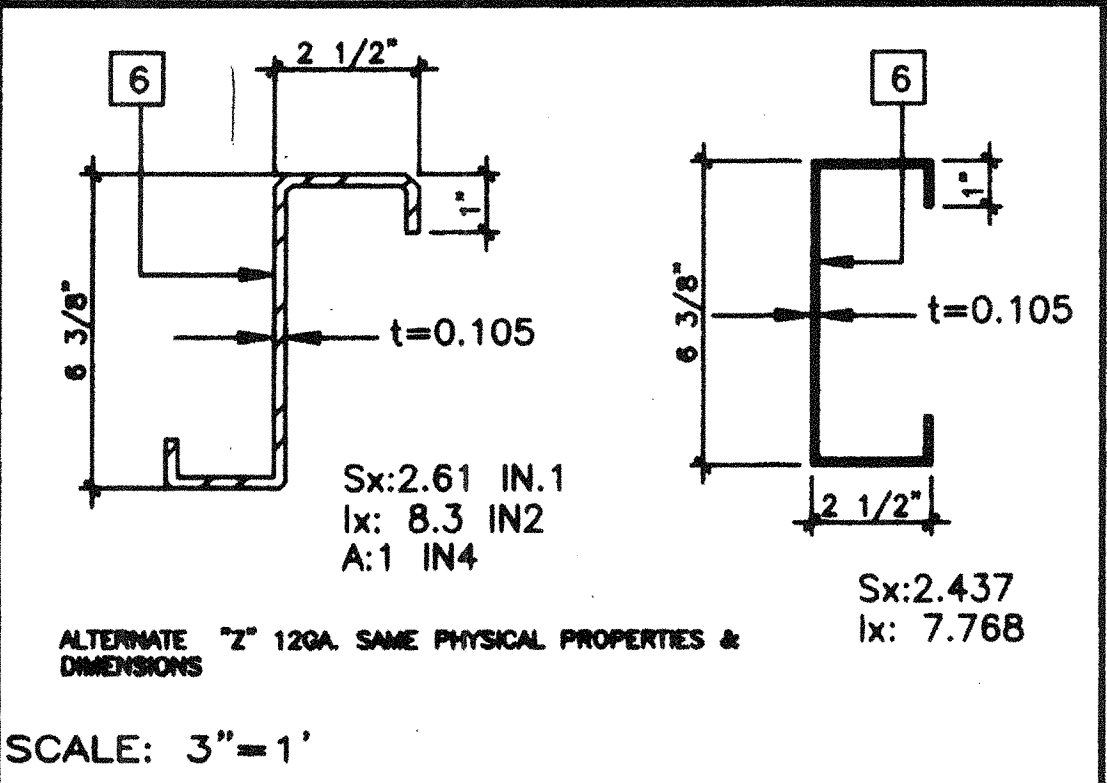
FLOOR BEAM C7X9.8 5



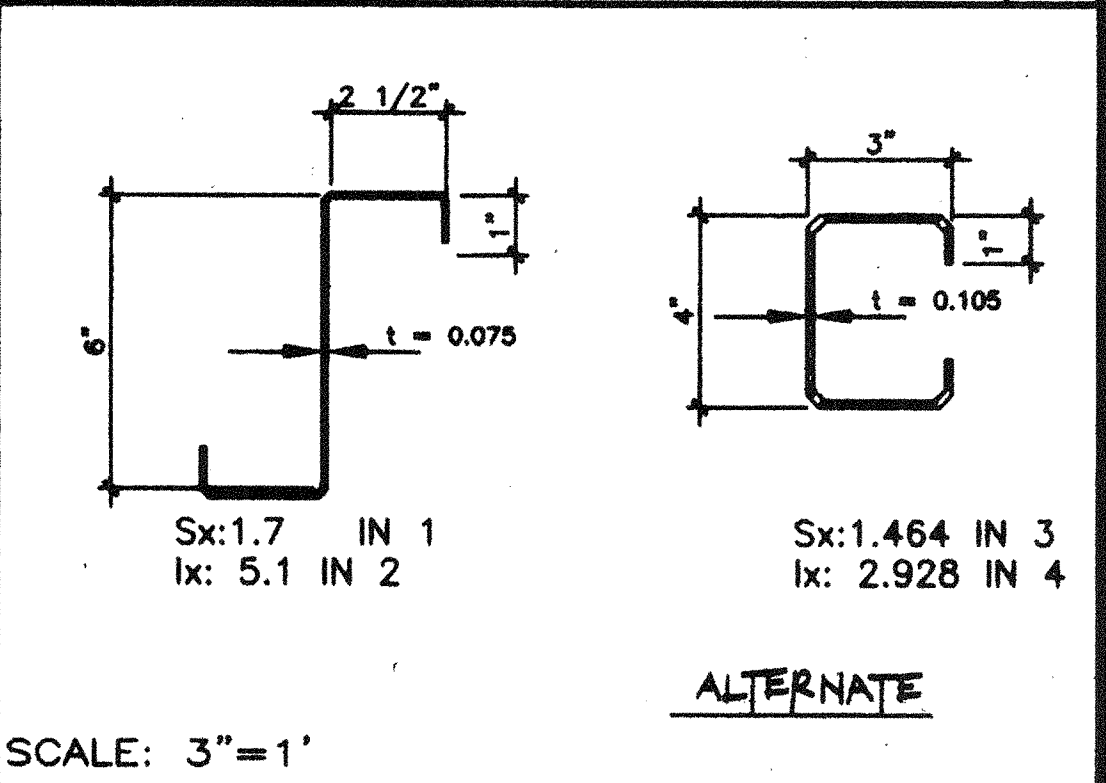
TAPERED ROOF BEAM 1



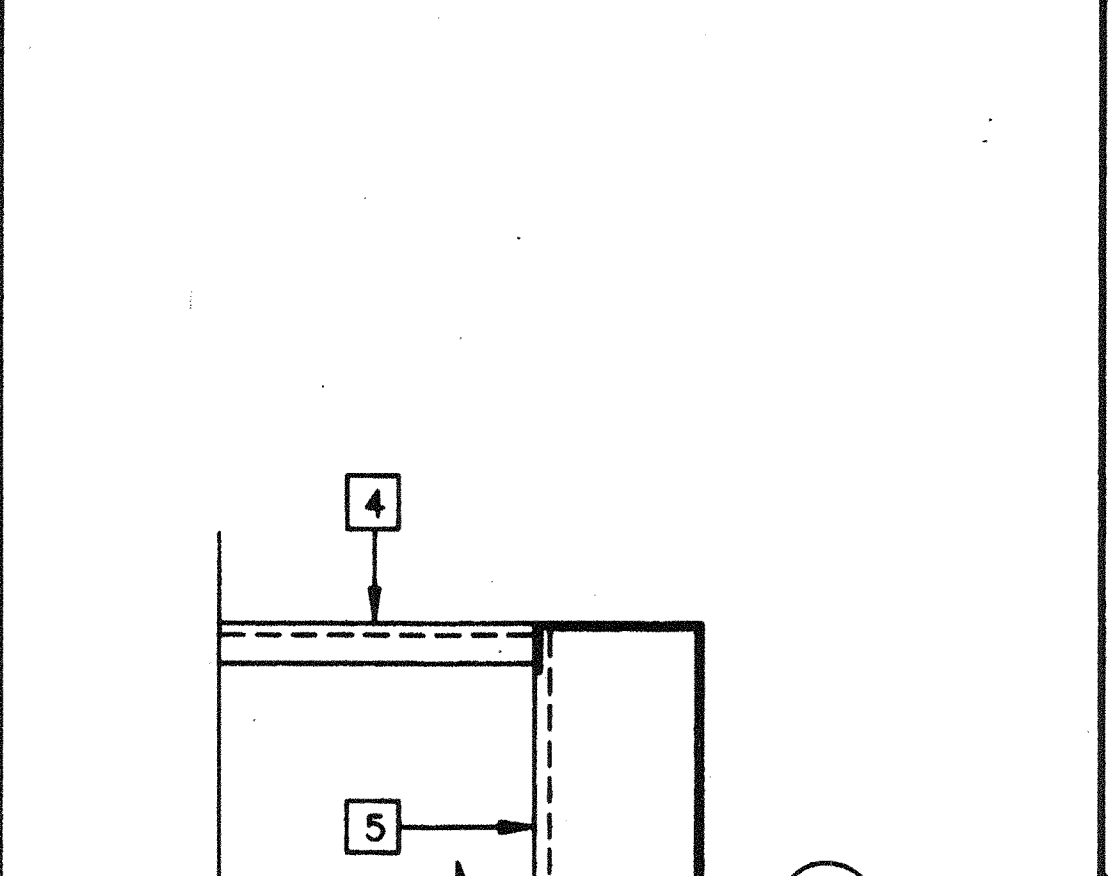
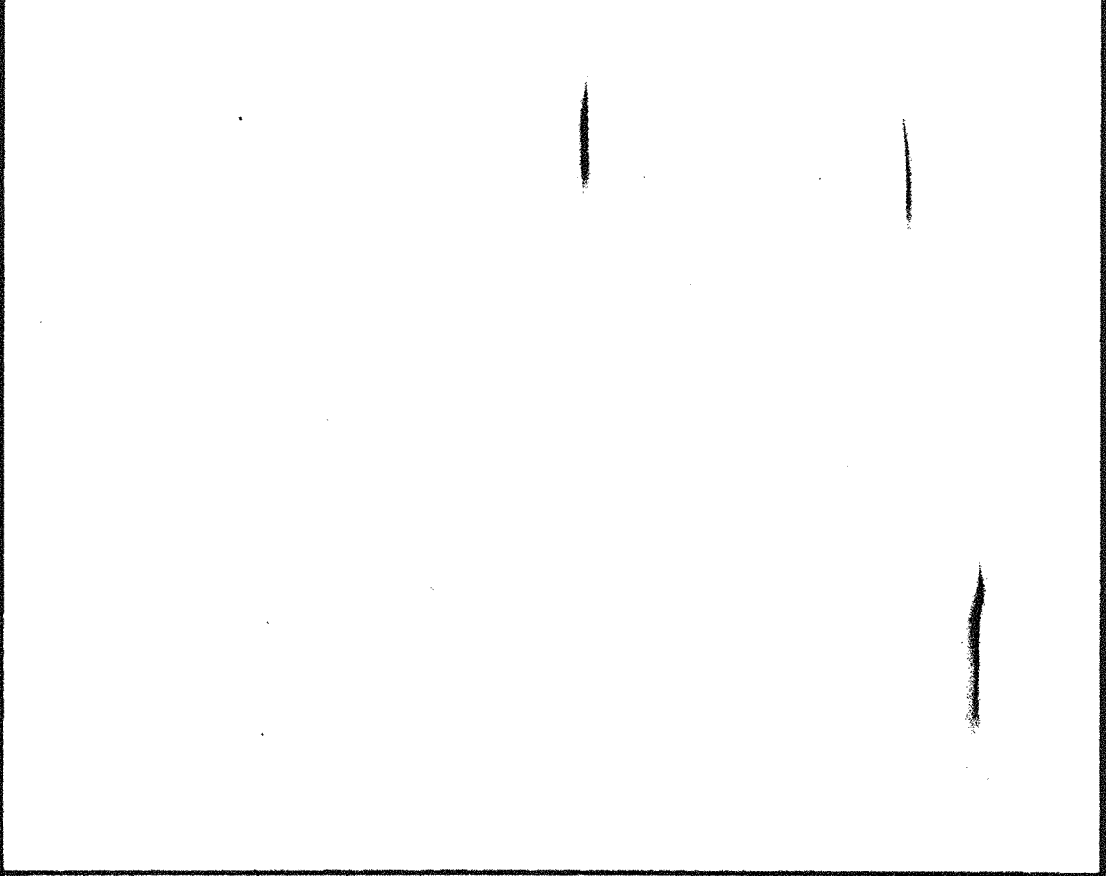
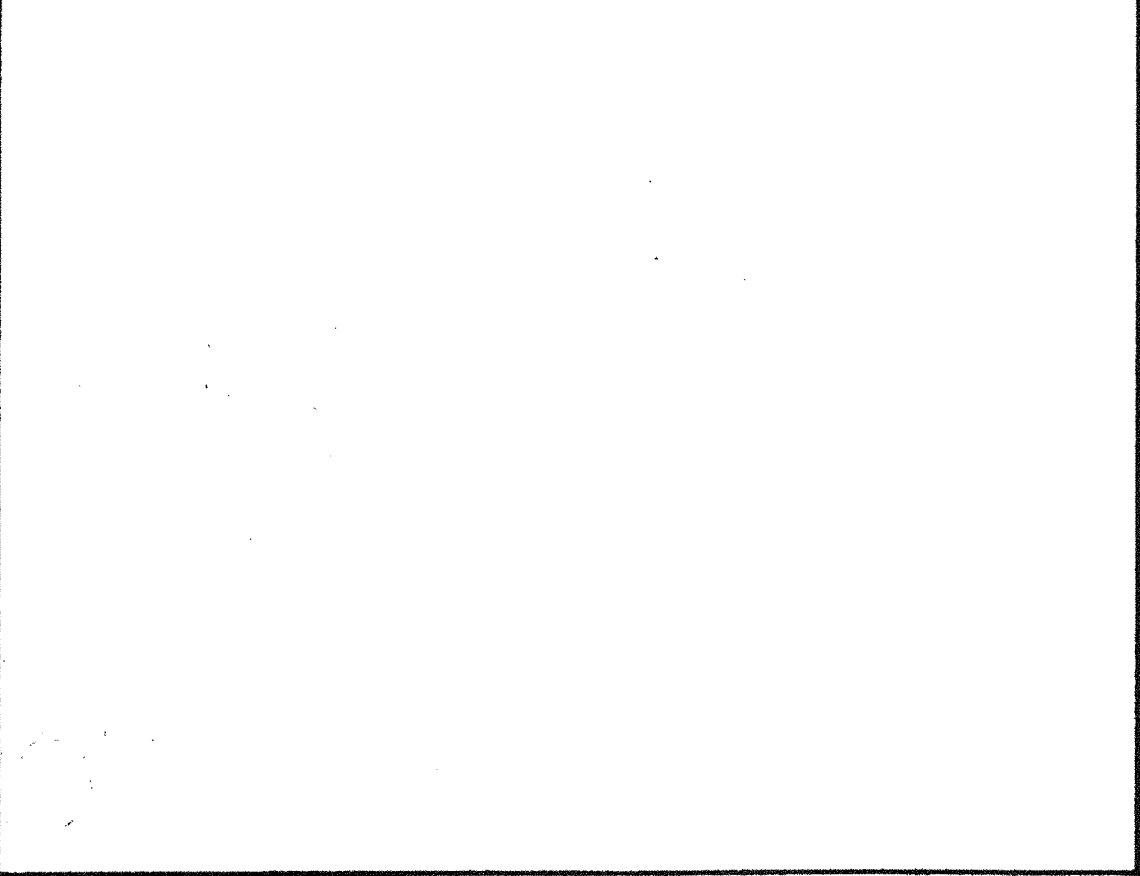
FLOOR AT FLOOR BEAM 10



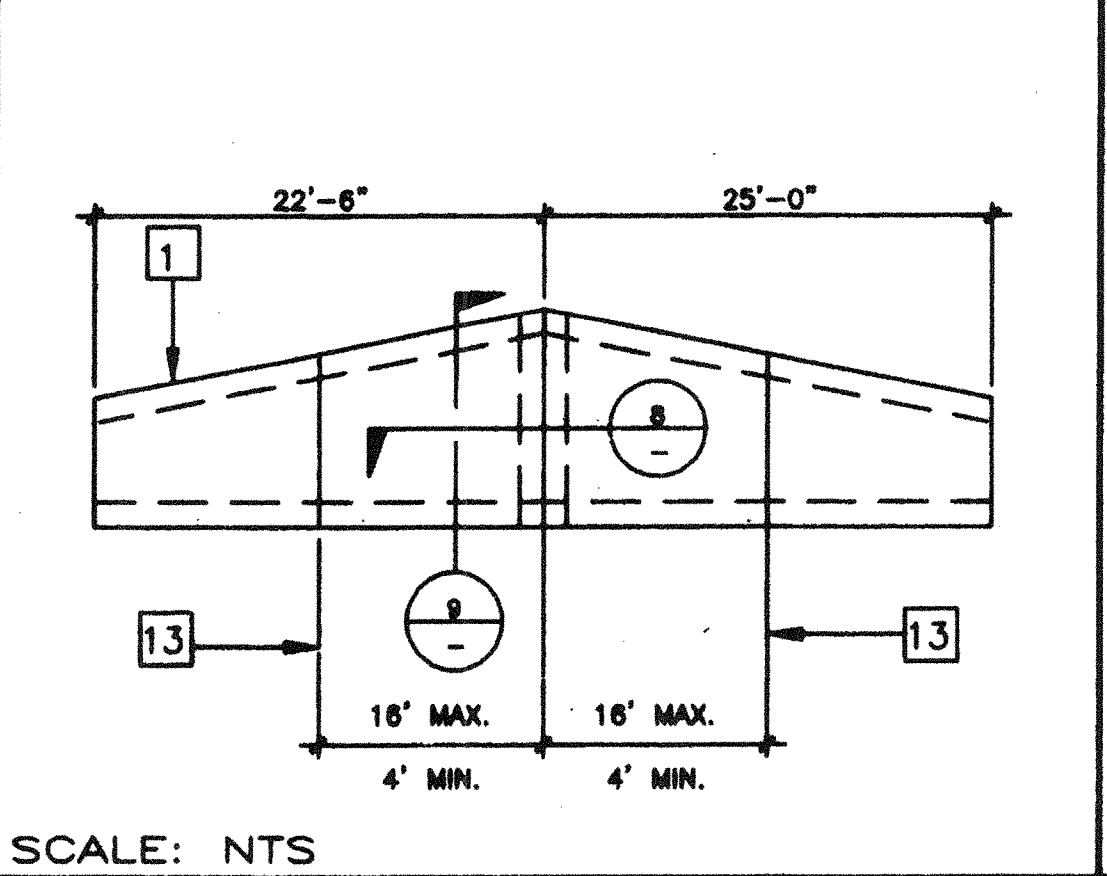
FLOOR JOIST 6



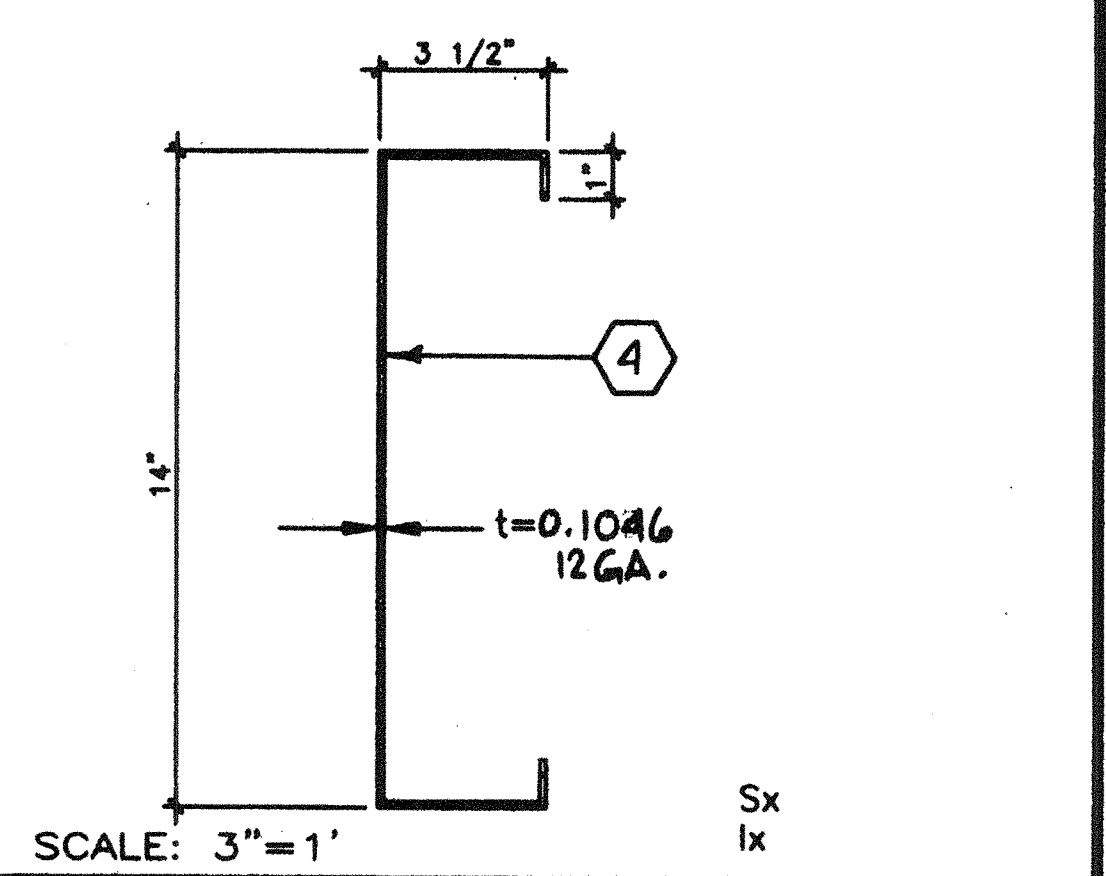
ROOF PURLIN 2



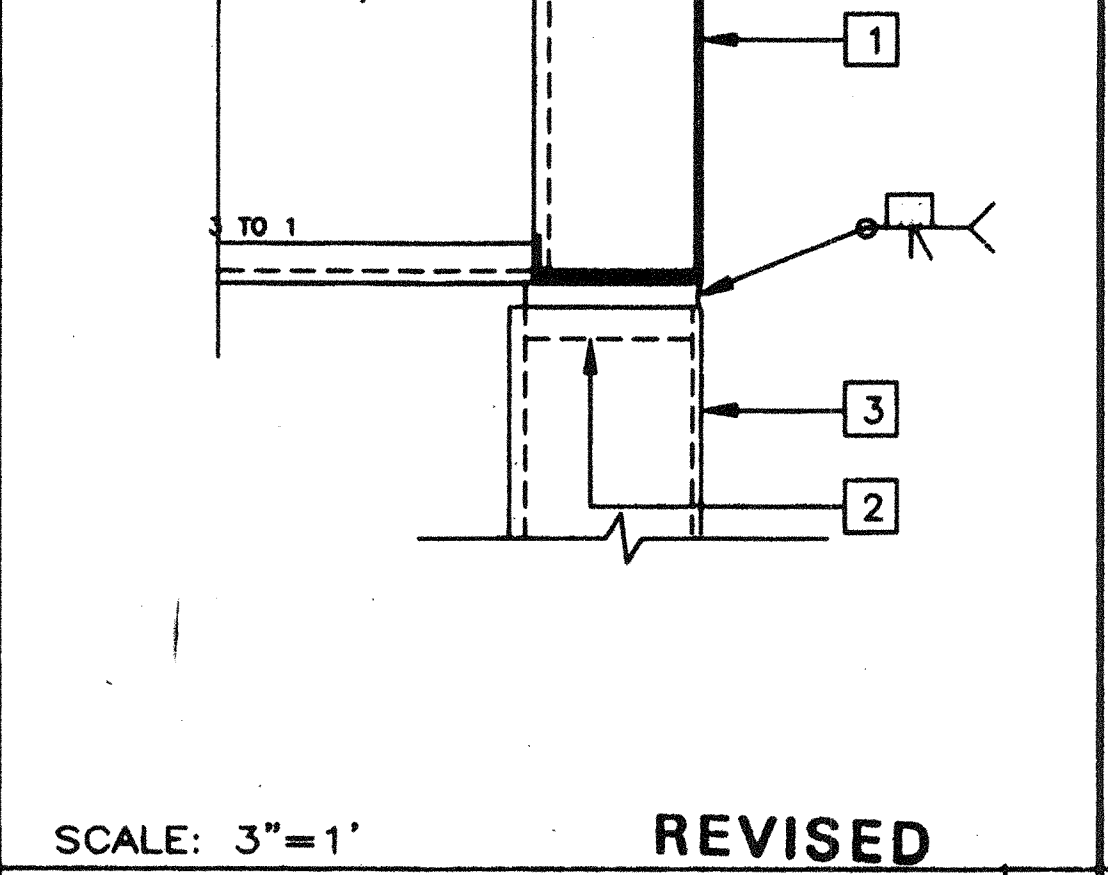
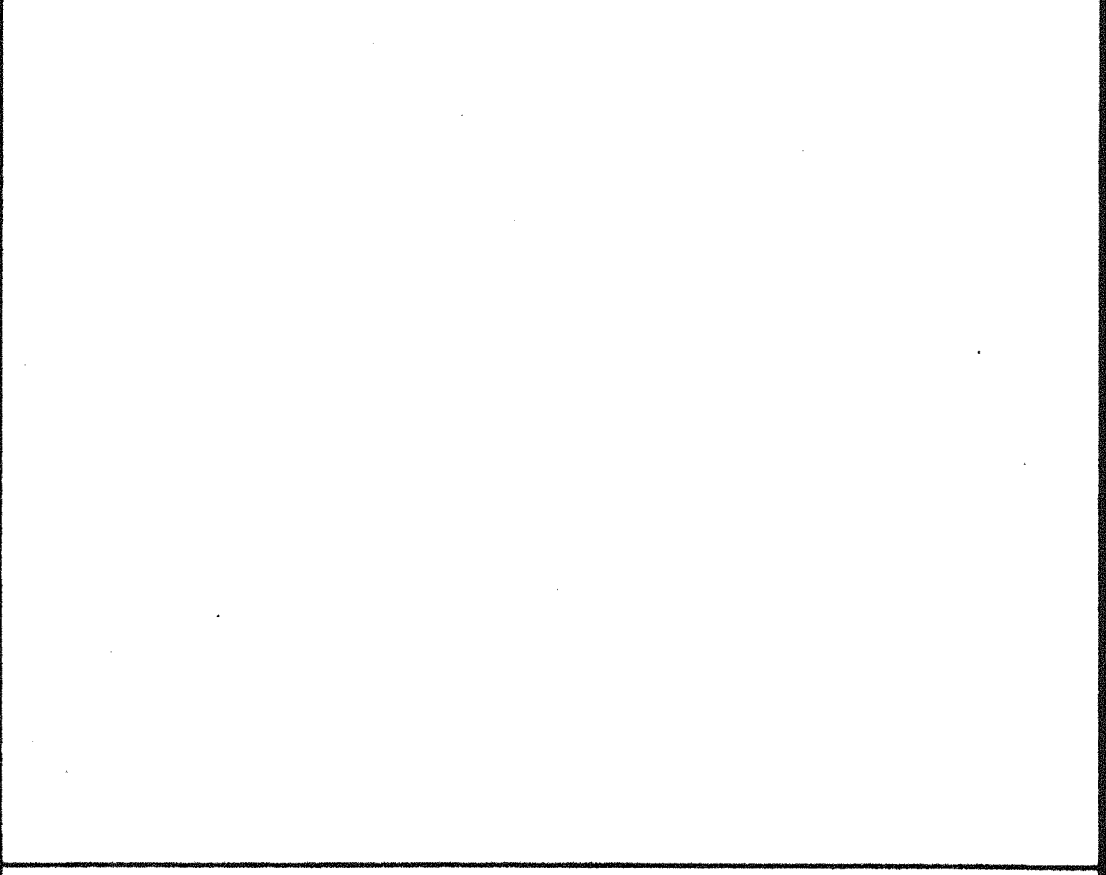
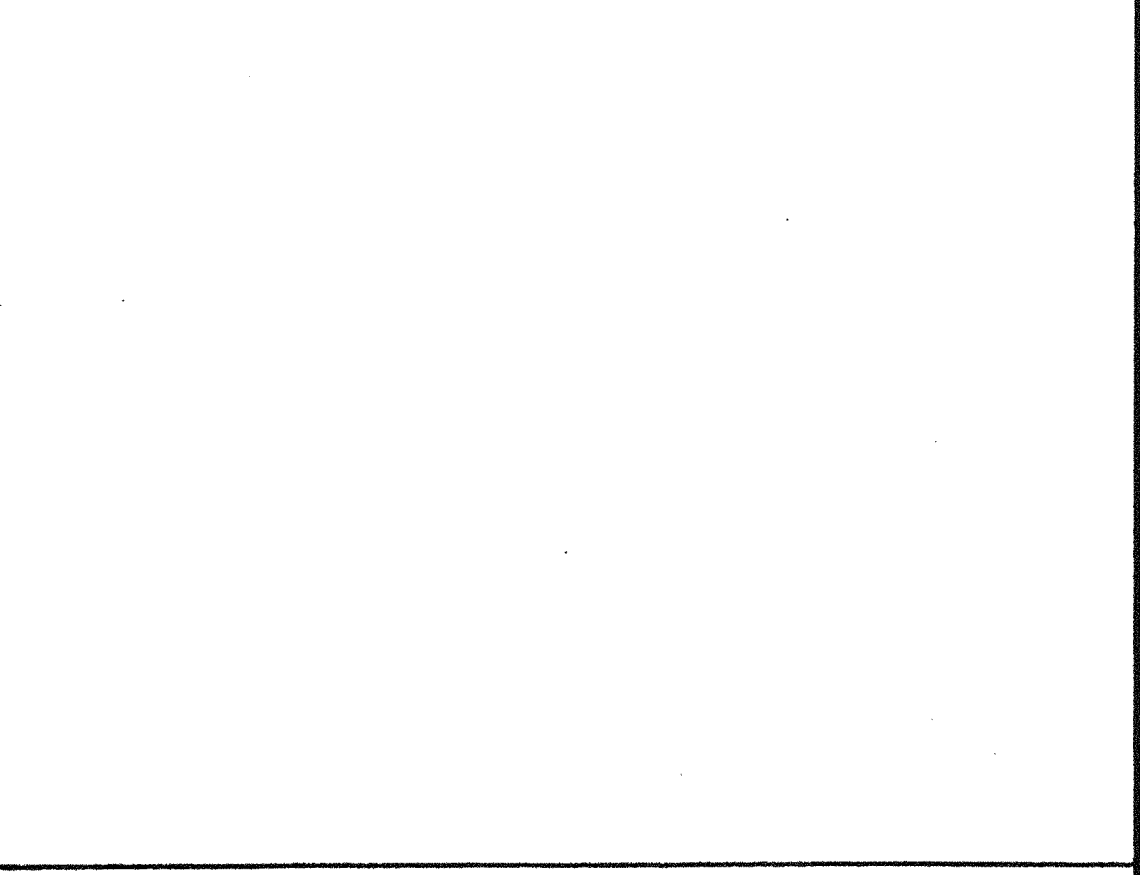
COLUMN CONN. AT ROOF 11



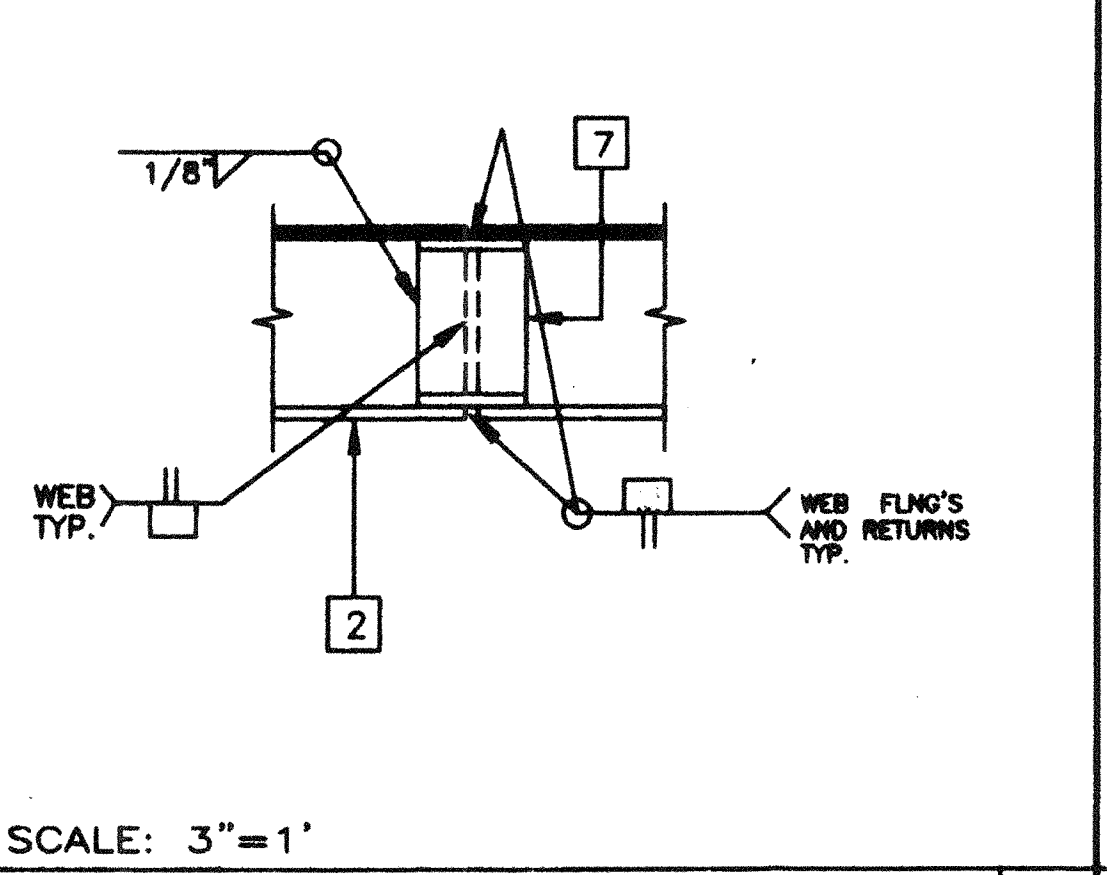
FASCIA AT SIDEWALL 7



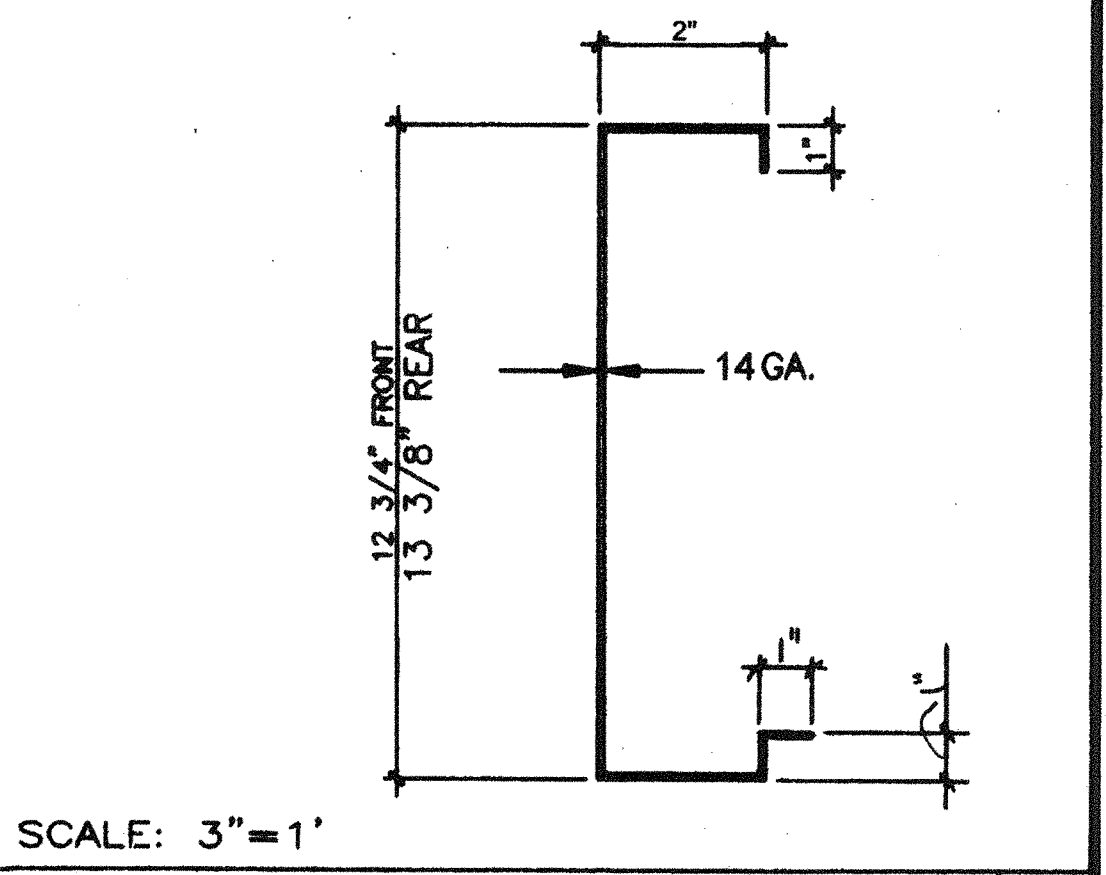
ROOF HEADER AT MODLINE 3



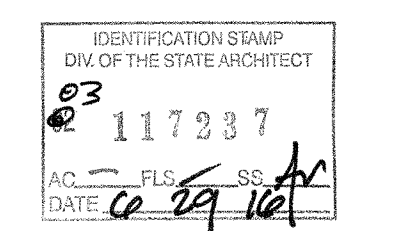
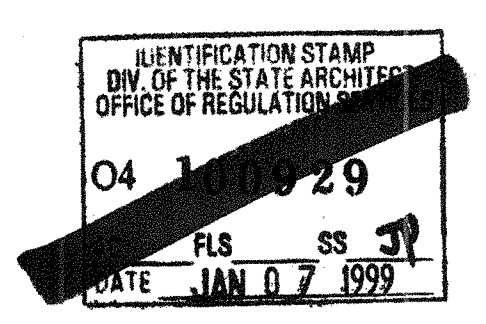
BEAM SPLICE 8



FASCIA AT OVERHANG 4



REVISIONS



NO.	DESCRIPTION	DATE
1		
2		
3		
4		
5		

Electrical Engineer's Seal

Mechanical Engineer's Seal

Structural Engineer's Seal

Architect's Seal

Division of the State Architect
 IDENTIFICATION STAMP
 DIV. OF THE STATE ARCHITECT
 OFFICE OF REGULATION SERVICES
 PC-286
 AC: LS
 DATE: JUN 25 1997

MODTECH INC.
 2830 BARRETT AVENUE
 PERRIS, CALIF. 92572
 PH (909) 943-4014
 FAX (909) 943-0427

PROJECT NUMBER: © MODTECH, INC. 1997
 drawn by: 4012-088
 checked by: 05 JAN 99
 date:
 Modtech project no:
 MODTECH Index No.

STKP-42 D
 S3.1

STRUCTURAL DETAILS