

**KEY NOTES**

- 1 TYPICAL EXTERIOR SIDING (SEE SPEC'S)
- 2 EXTERIOR LIGHT FIXTURE (SEE SPEC'S)
- 3 TOP OF SKIRTING
- 4 RAMP AND LANDING SEE SHT. R-1
- 5 HVAC UNIT (HV)
- 6 DOWNSPOUT (TYP.) FOR (1). FASTEN TO BLDG. TYP. 3 PLACES (SEE 8/A6.1)
- 7 CONTINUOUS GUTTER WITH DOWNSPOUT (LOCATION OF DOWNSPOUT SHOWN ON ROOF PLAN)
- 8 SPLASH BLOCK (BY OTHERS)
- 9 FINISH FLOOR LINE
- 10 BOTTOM FLANGE OF FLOOR BEAM
- 11 ROOF HEADER
- 12 ROOF OVERHANG
- 13 FINISH GRADE
- 14 ROOF BEAM (STR)
- 15 COLUMN (STR)
- 16 ELECTRICAL STUB-OUT (EL)
- 17 GROUND STUB-OUT (EL)
- 18 J Box FOR FA HORN (EL)
- 19 GUTTER BOX (EL)
- 20 FOUNDATION VENT (SEE FOUNDATION PLAN FOR SIZE & LOCATION)

**NOTES**

IDENTIFICATION STAMP  
DIV. OF THE STATE ARCHITECT  
OFFICE OF REGULATION SERVICES

~~XXXXXXXXXX~~

AC 117 PLS SS 31  
DATE 11/29/98

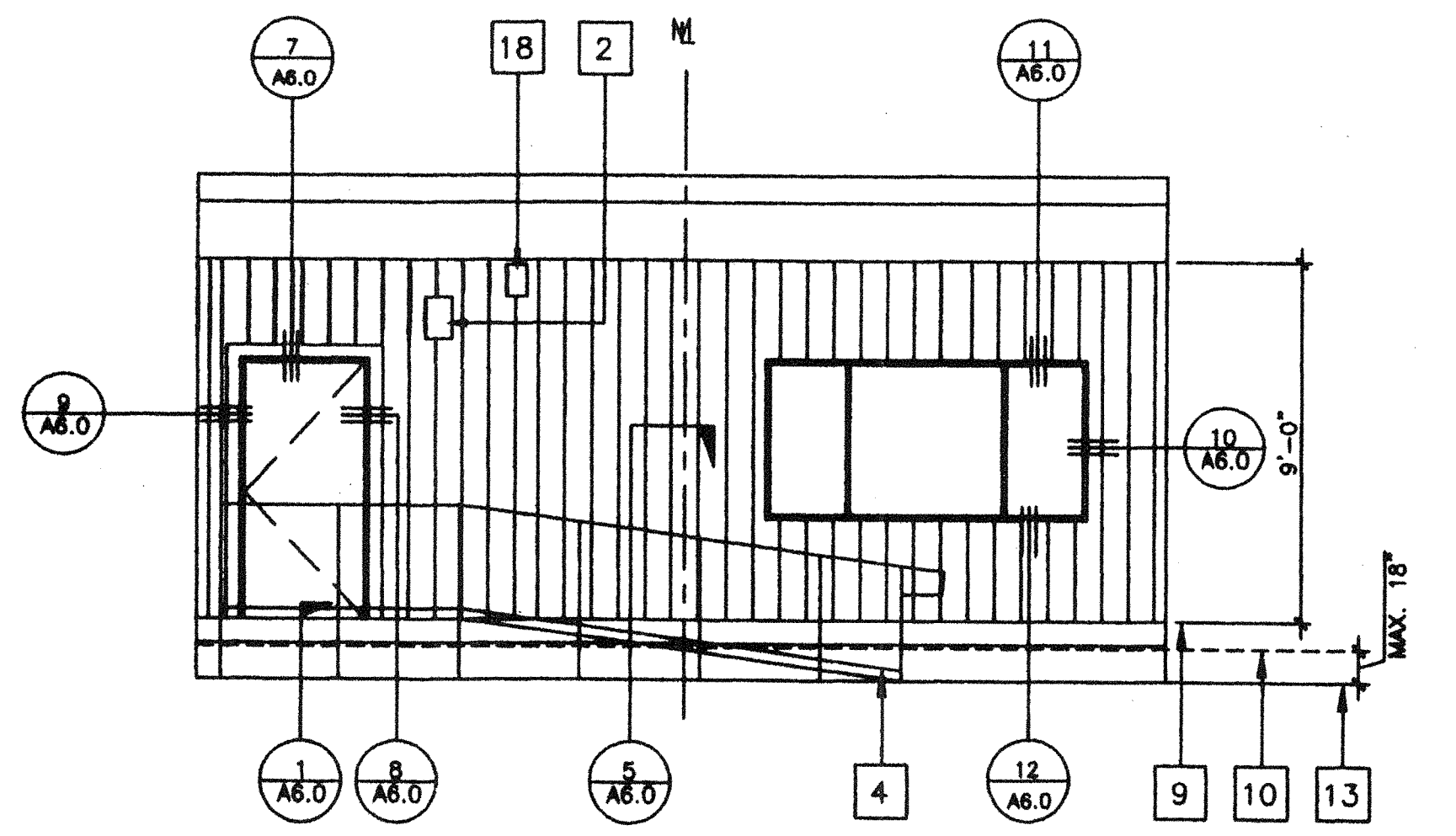
---

IDENTIFICATION STAMP  
DIV. OF THE STATE ARCHITECT

117237

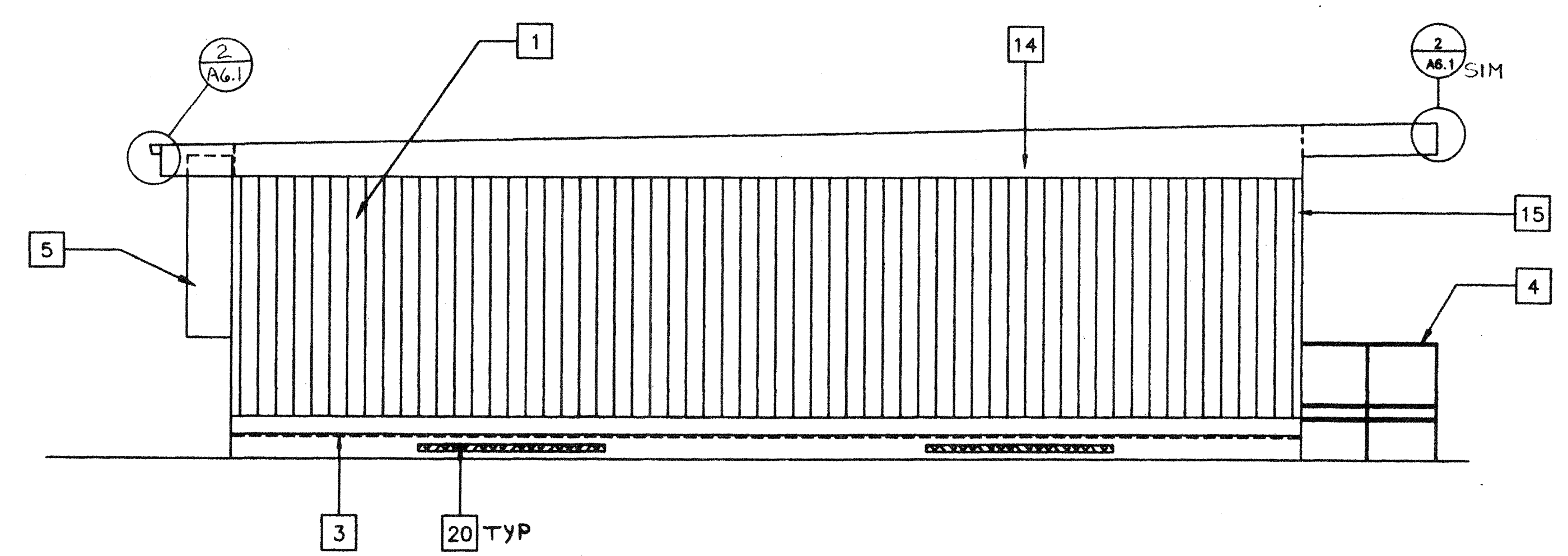
AC 117 PLS HME SS 31  
DATE 11/29/98

**STKP-42M**  
11/29/98



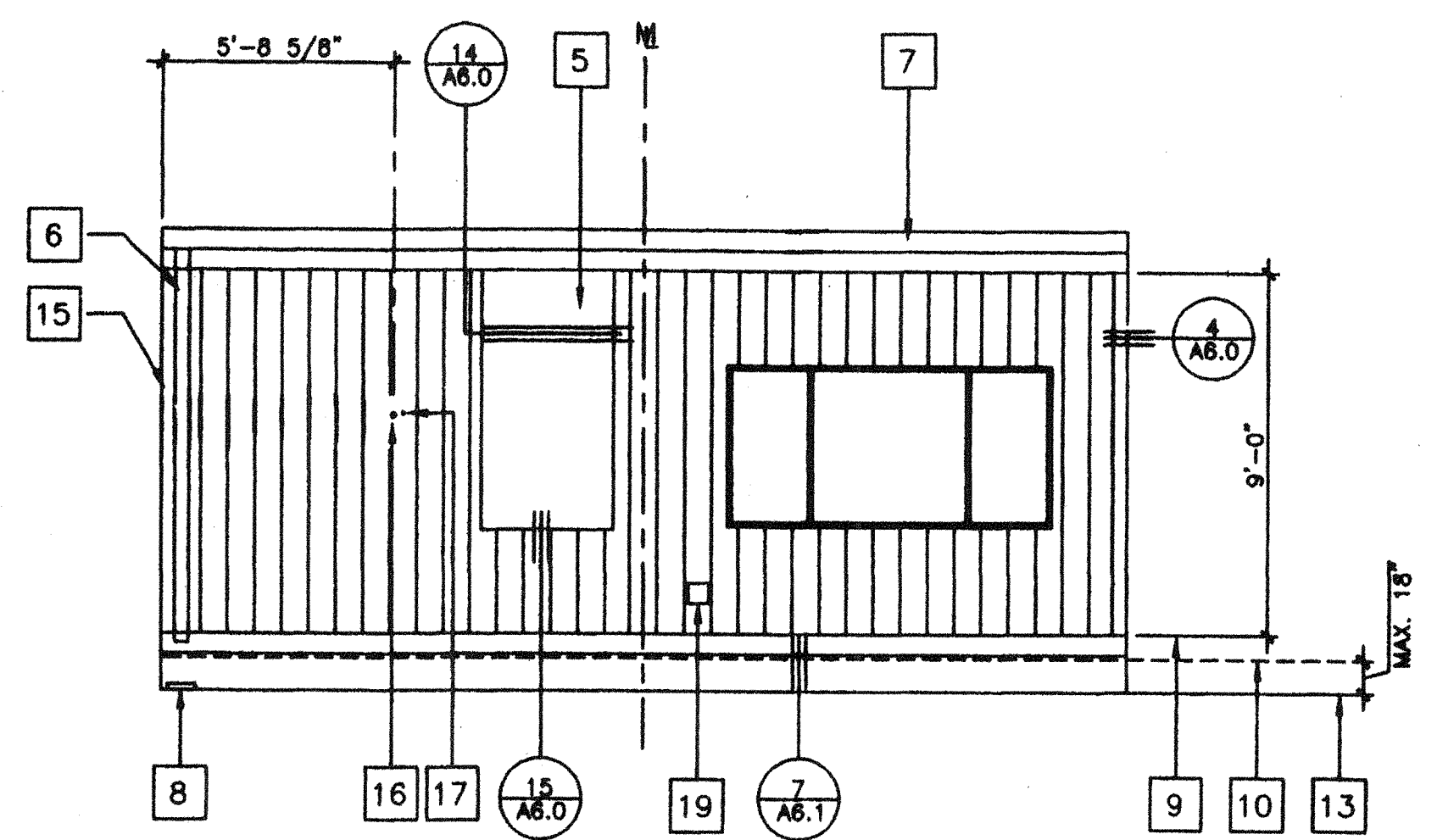
**1 FRONT ELEVATION**

SCALE 1/4"=1'-0"



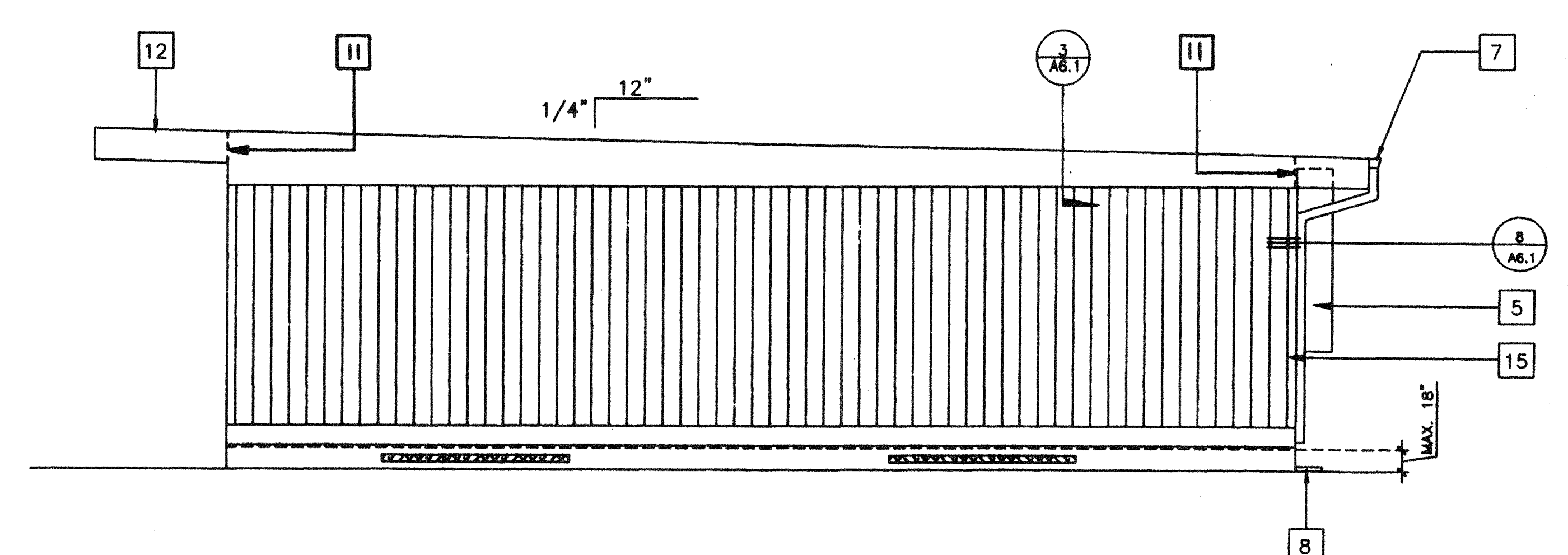
**2 LEFT SIDE ELEVATION**

SCALE 1/4"=1'-0"



**3 REAR ELEVATION**

SCALE 1/4"=1'-0"



**4 RIGHT SIDE ELEVATION**

SCALE 1/4"=1'-0"

**24' X 40' (MONO SLOPE)**

REVISED

REVISIONS	Electrical Engineer's Seal	Mechanical Engineer's Seal	Structural Engineer's Seal	Architect's Seal	Division of the State Architect	MODTECH INC.	PROJECT NUMBER: 2986	© MODTECH, INC. 1997	drawn by: A012-088
1									date: 05 JAN 99
2									date:
3									Modtech project no:
4									MODTECH Index No.

Electrical Engineer's Seal

Mechanical Engineer's Seal

Structural Engineer's Seal

Architect's Seal

Division of the State Architect

**MODTECH INC.**  
 2830 BARRETT AVENUE  
 PERRIS, CALIF. 92572  
 PH (909) 943-4014  
 FAX (909) 940-0427

PROJECT NUMBER: 2986 © MODTECH, INC. 1997

drawn by: A012-088  
 checked by: 05 JAN 99  
 date:  
 Modtech project no:  
 MODTECH Index No.

**EXTERIOR ELEVATIONS**

**AA3.0**