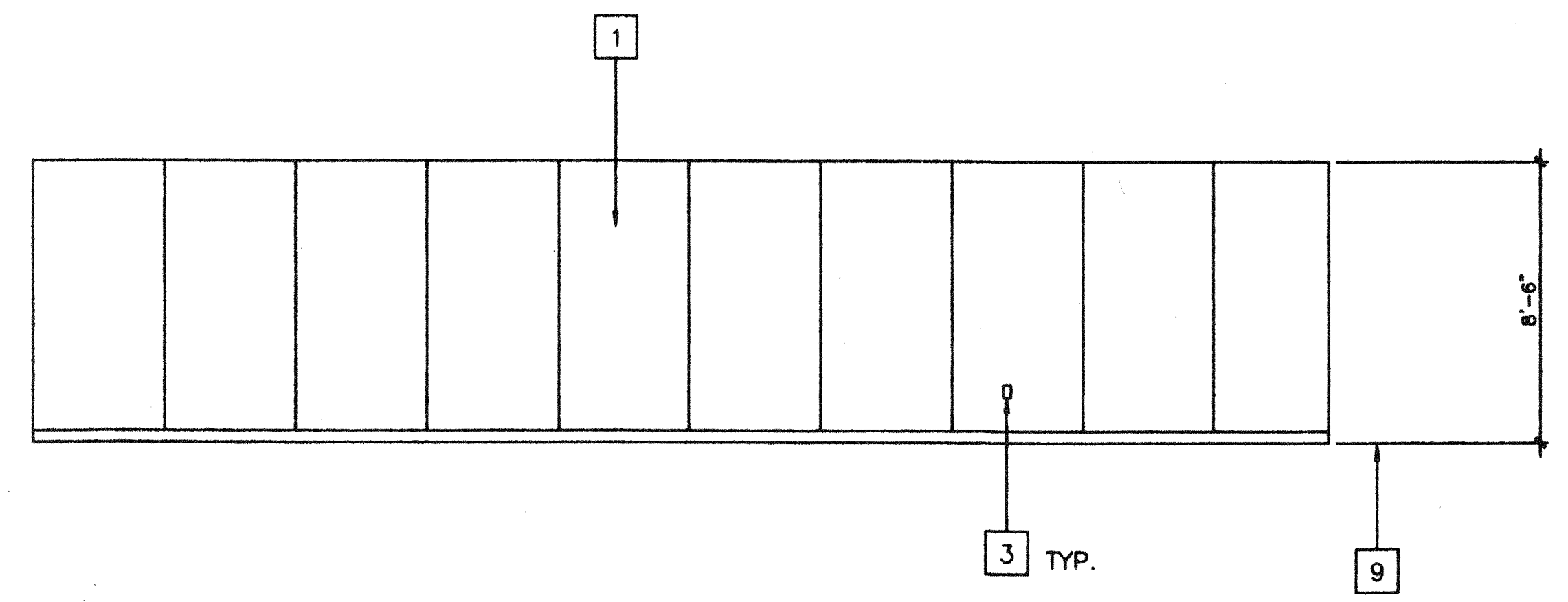
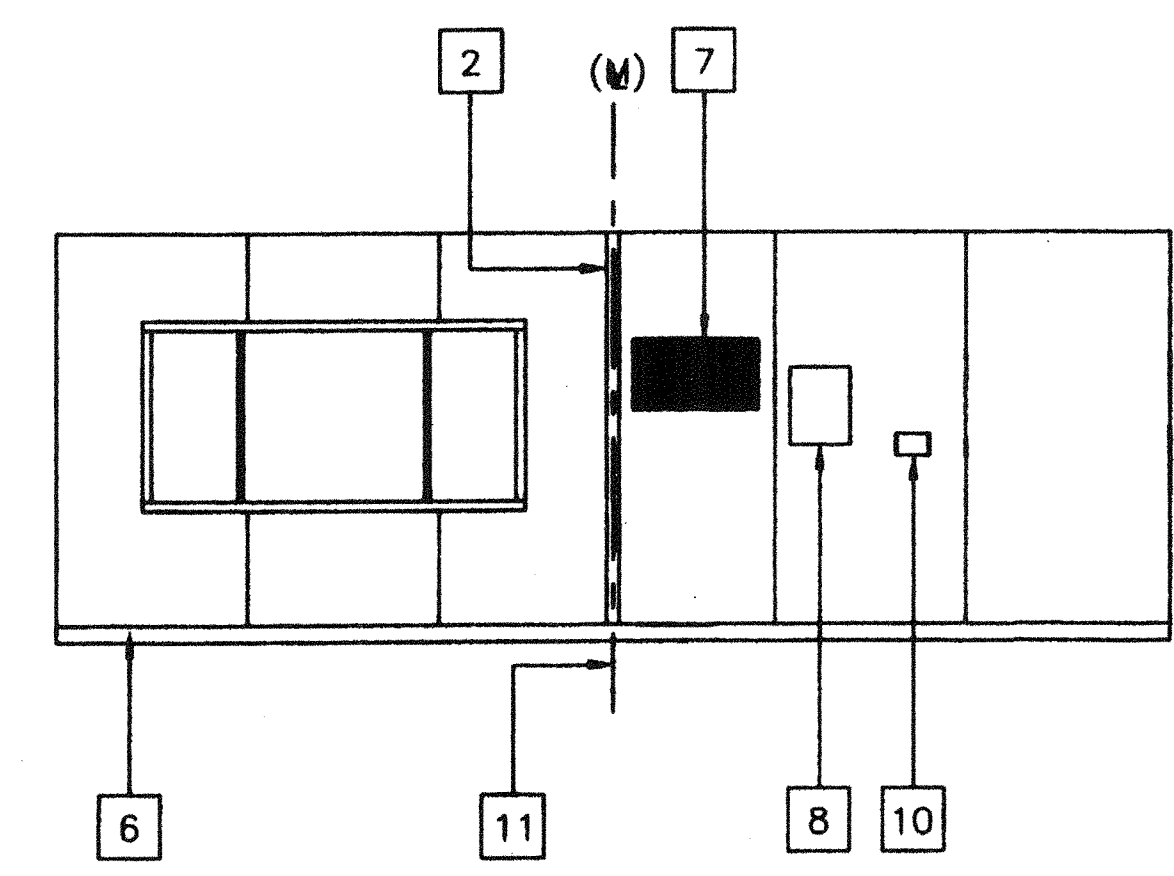


KEY NOTES

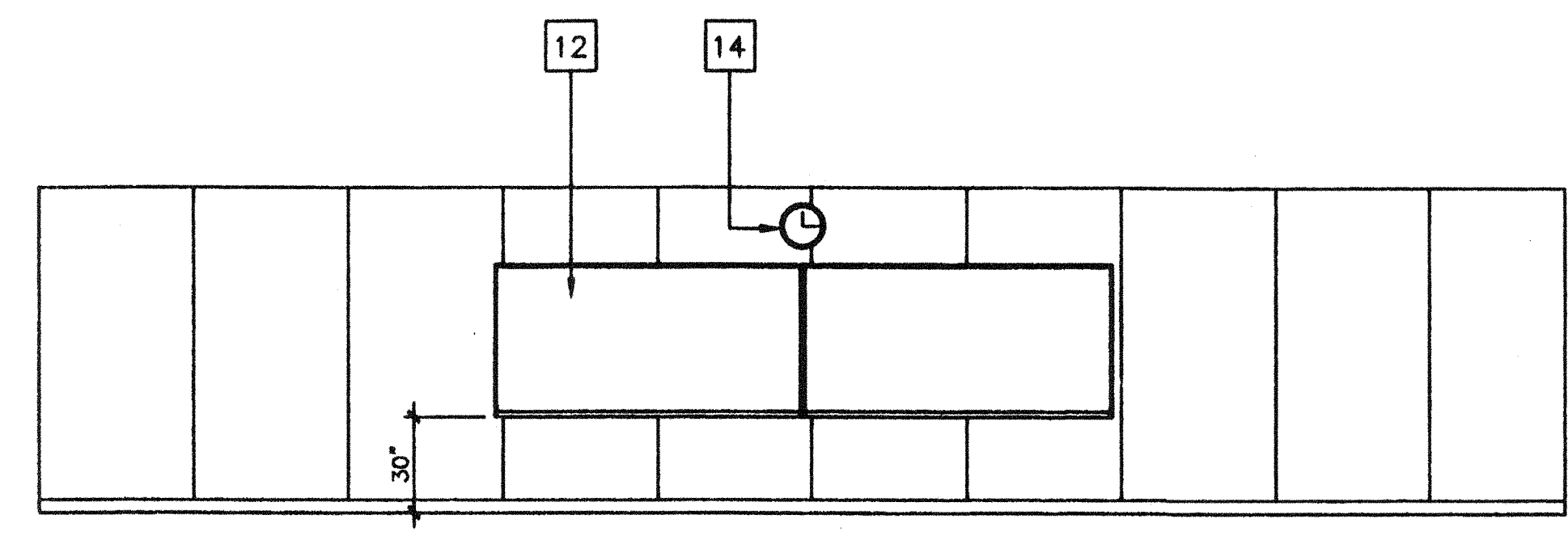
- 1 TYPICAL INTERIOR FINISH (SEE A5.0)
- 2 CLOSURE AT MODULAR JOINT
- 3 DUPLEX WALL RECEPTACLE (EL)
- 4 FIRE ALARM PULL STATION (EL)
- 5 LIGHT SWITCH (EL)
- 6 TOP SET BASE (TYPICAL) SEE FINISH SCHED.
- 7 RETURN AIR GRILL
- 8 ELECTRICAL PANEL (EL)
- 9 FINISH FLOOR
- 10 THERMOSTAT (HW)
- 11 MODULAR JOINT
- 12 8040 MARKBOARD. TYPICAL FOR (2)
- 13 FIRE EXTINGUISHER: 5LBS. DRY CHEMICAL WITH 2A-10BC U.L. RATING ON WALL MTD. BRACKET, HANDLE AT 48" A.F.F.
- 14 12" DIA. ELECTRIC CLOCK (EL)



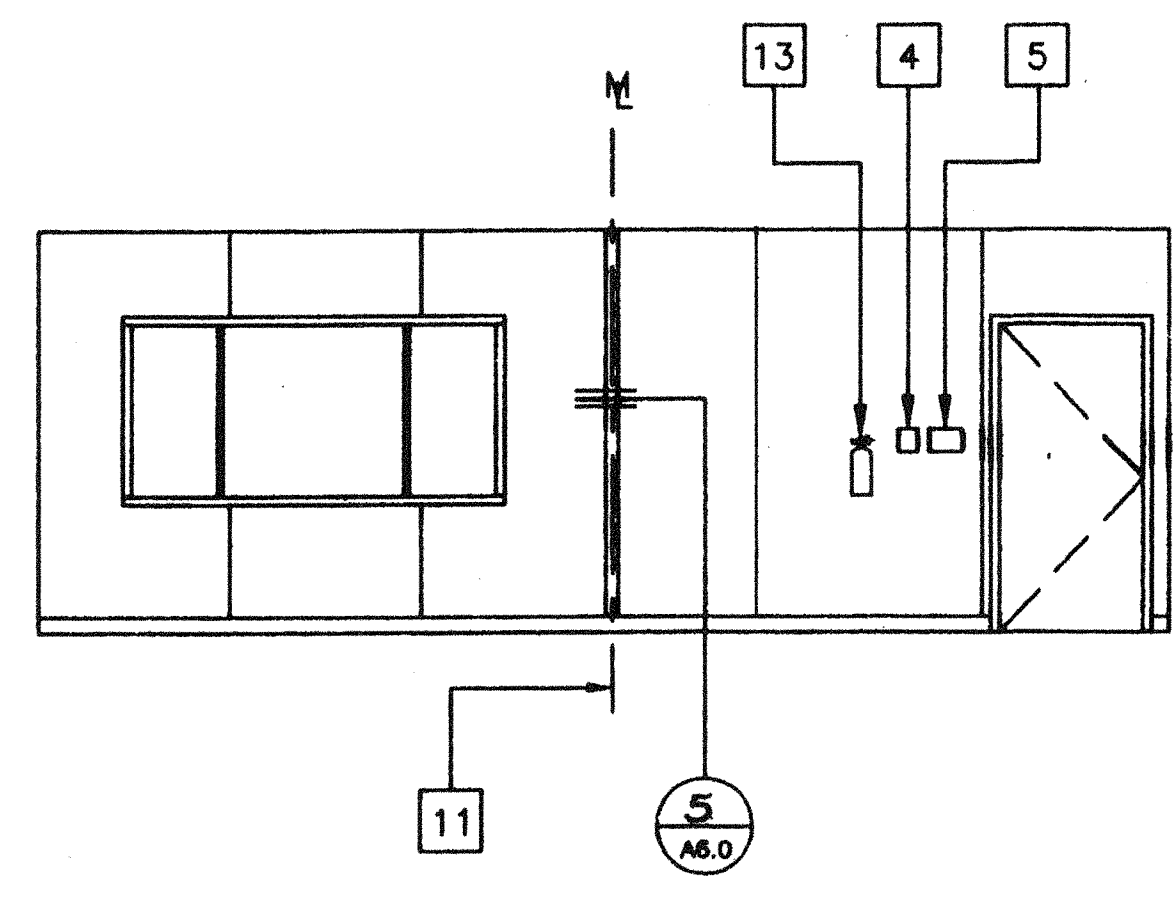
1



2



3

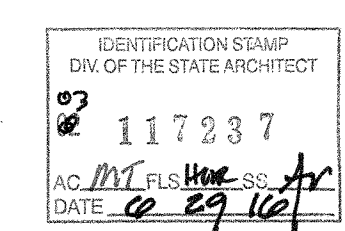
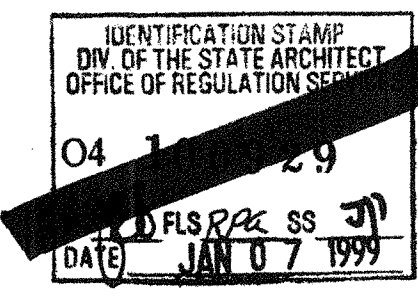


4

INTERIOR ELEVATIONS (24' X 40')

SCALE 1/4"=1'-0"

REVISED



STKP-42
11/24/98

REVISIONS	Electrical Engineer's Seal	Mechanical Engineer's Seal	Structural Engineer's Seal	Architects Seal	Division of the State Architect
1					
2					
3					
4					
5					

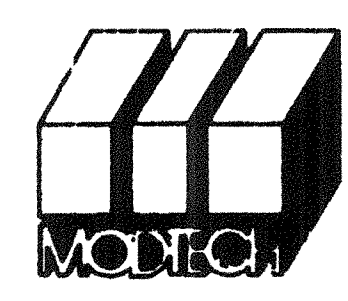
Electrical Engineer's Seal

Mechanical Engineer's Seal

Structural Engineer's Seal

Architects Seal

Division of the State Architect
IDENTIFICATION STAMP
DIV. OF THE STATE ARCHITECT
OFFICE OF REGULATION SERVICES
PC-266
AC: [Signature] SS: [Signature]
DATE JUN 23 1997



MODTECH INC.
 2830 BARRETT AVENUE
 PERRIS, CALIF. 92572
 PH (909) 943-4014
 FAX (909) 940-0427

PROJECT NUMBER: 2986

© MODTECH, INC 1997

drawn by: 4012-088
 checked by: 05 JAN 99
 Modtech project no:
 Modtech Index No.

INTERIOR ELEVATIONS

A4.0