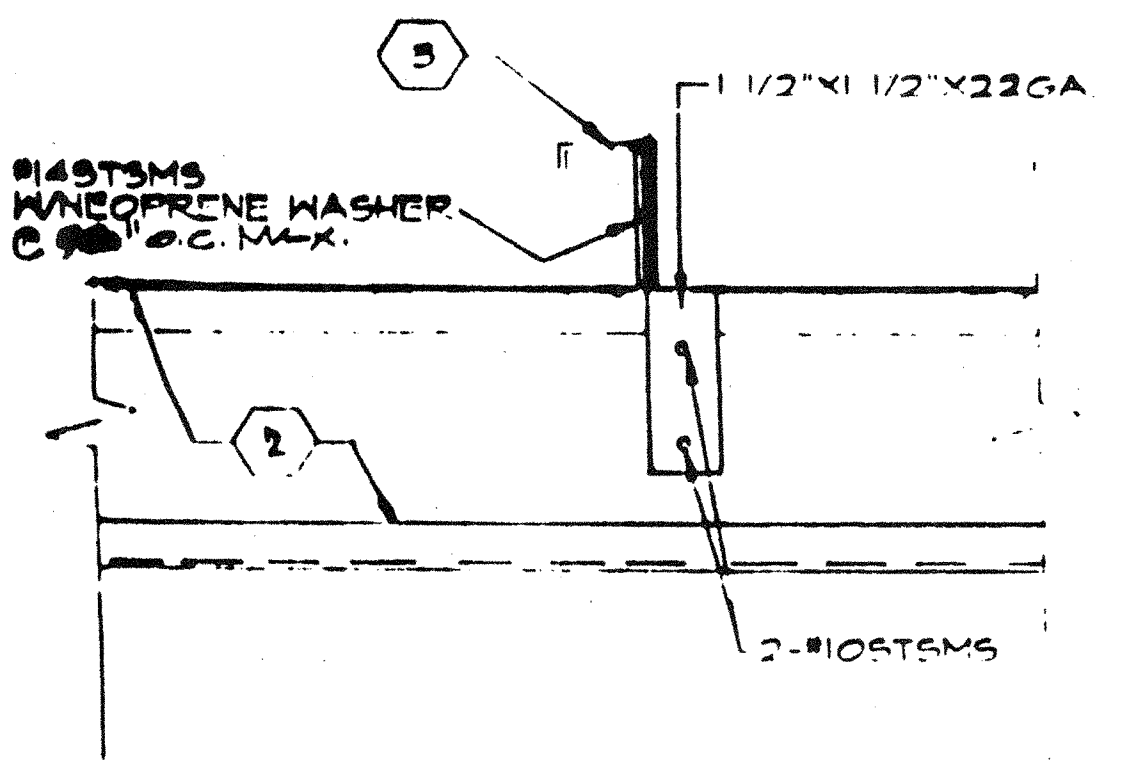
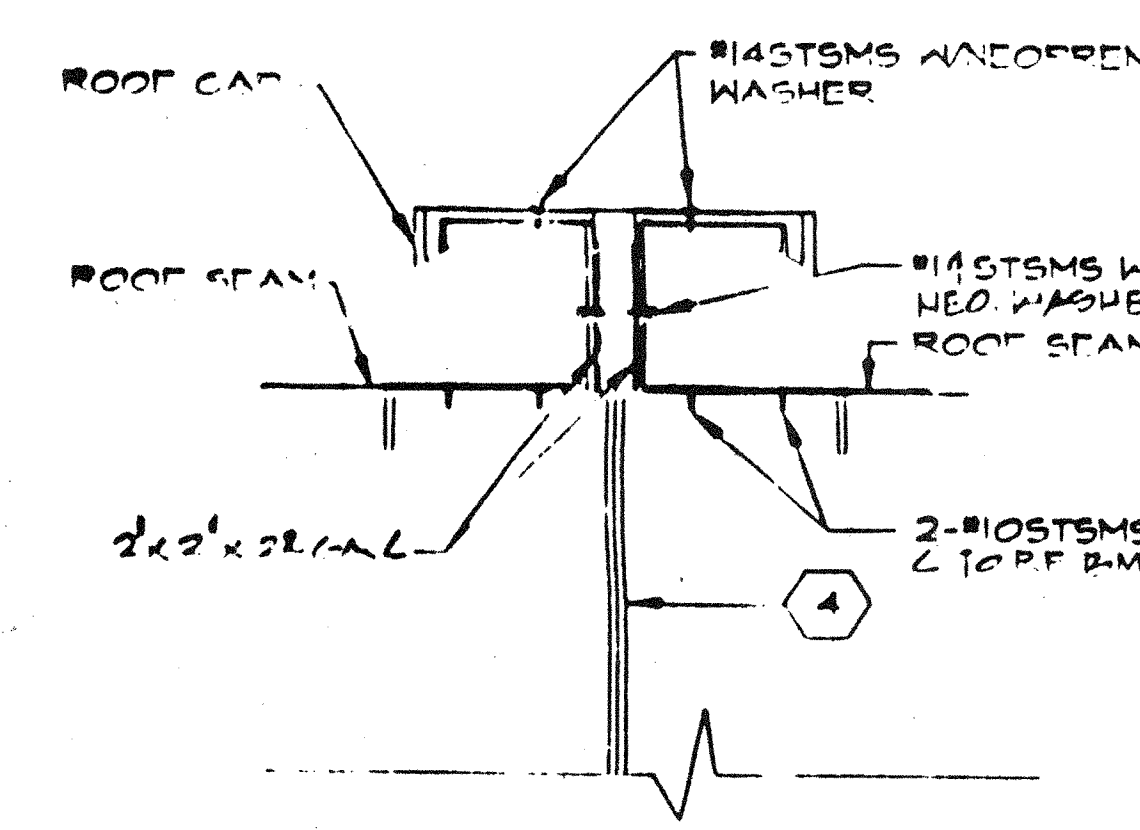


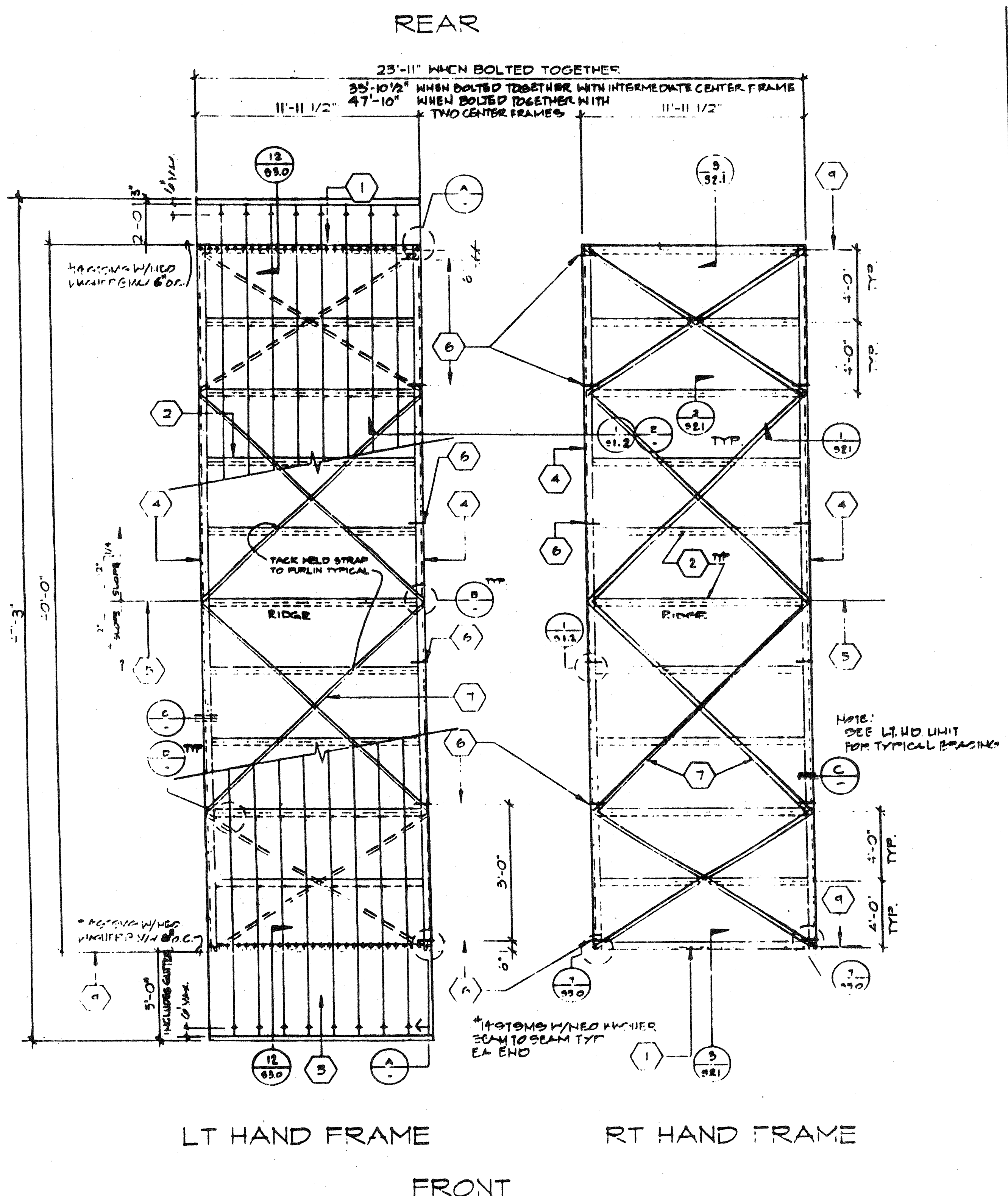
A ROOF STRAP @ SIDWALL
SCALE 1/4"=1'-0"



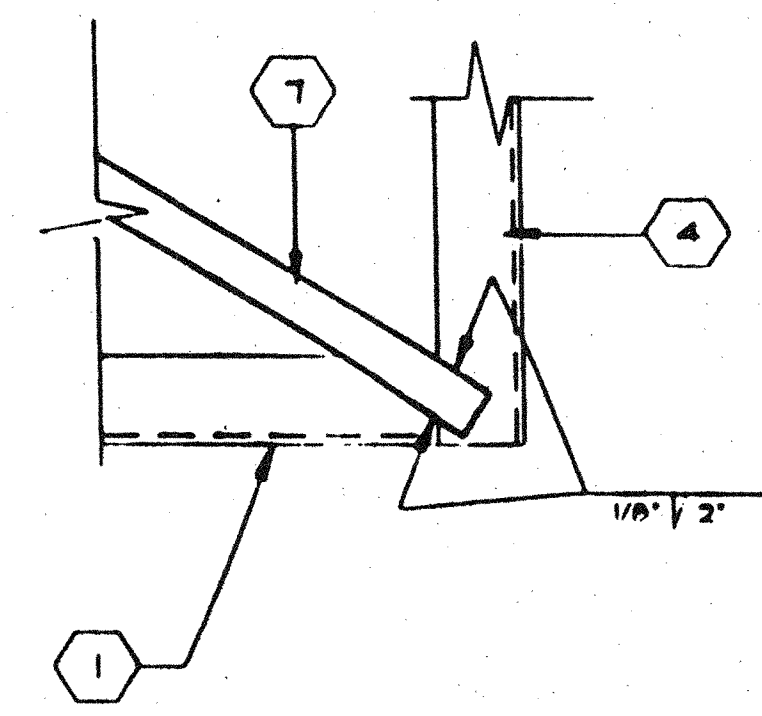
B ROOF STRAP
SCALE 1/4"=1'-0"



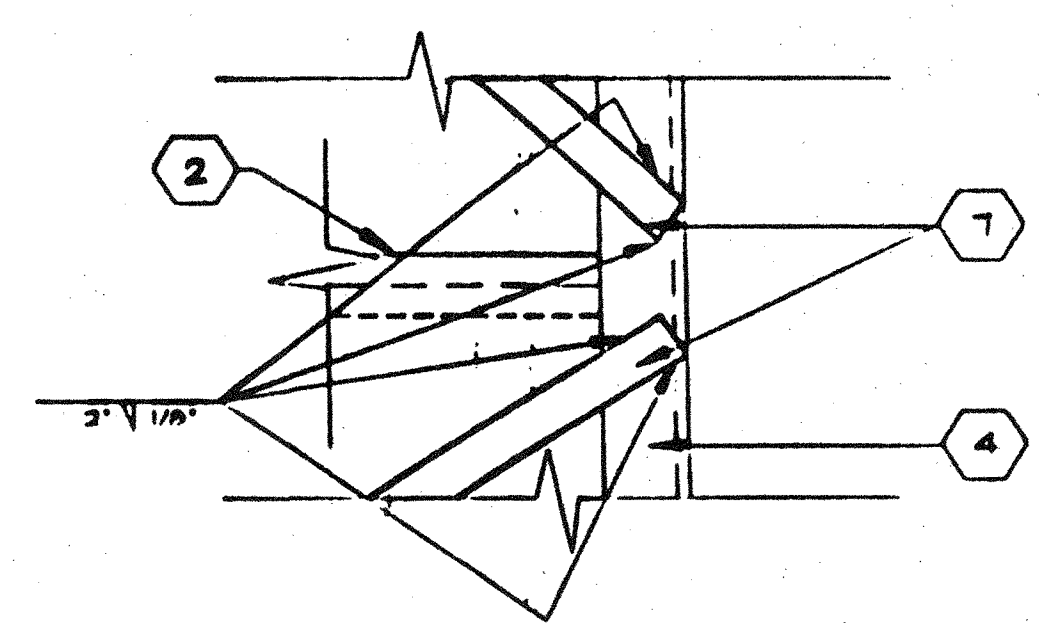
C ALTERNATE ROOF CAP @ MODLINE
SCALE 1/4"=1'-0"



ROOF FRAMING PLAN-DUAL PITCH
SCALE 1/4\"/>



D CROSS BRACING @ END WALL
SCALE 1/4\"/>

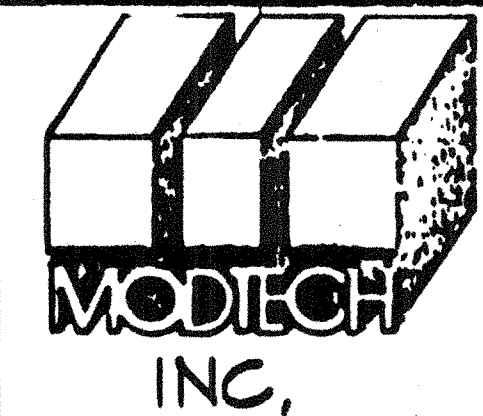
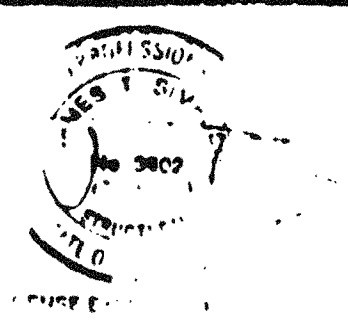
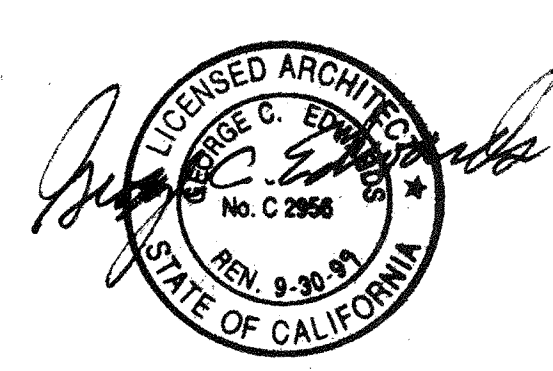


E CROSS BRACING @ SIDE WALL
SCALE 1/4\"/>

KEY NOTES

- 1 C 14 X 12 GA HEADER
- 2 6\"/>

ARCHITECT	ELECTRICAL	STRUCTURAL	MECHANICAL	FIRE MARSHAL	ACCESS COMPLIANCE	STRUCTURAL SAFETY
-----------	------------	------------	------------	--------------	-------------------	-------------------



2926

MODTECH INC. 1994

4012-084

DATE AUG 10 1996

STKP-39

2926

S2.0A

