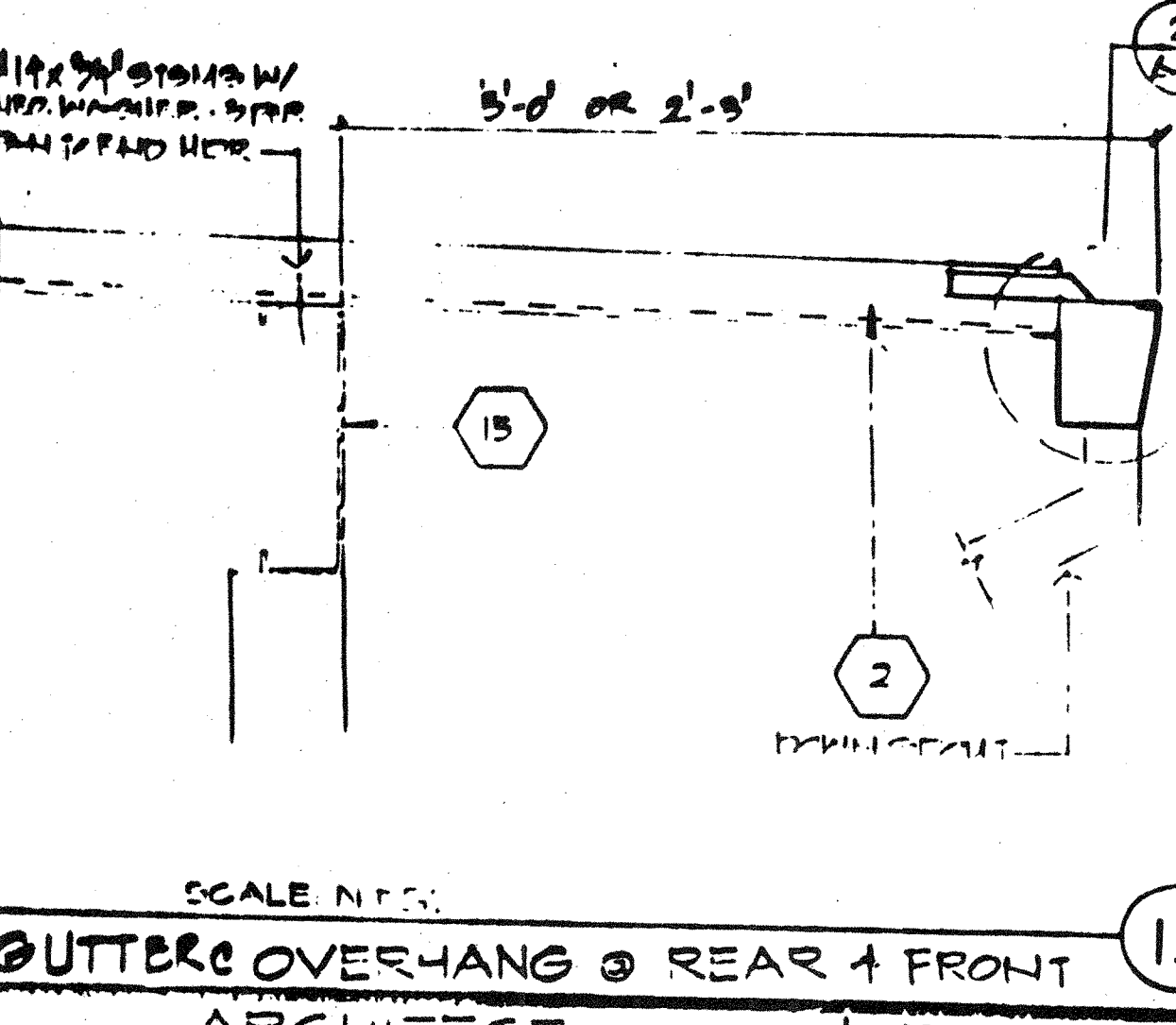
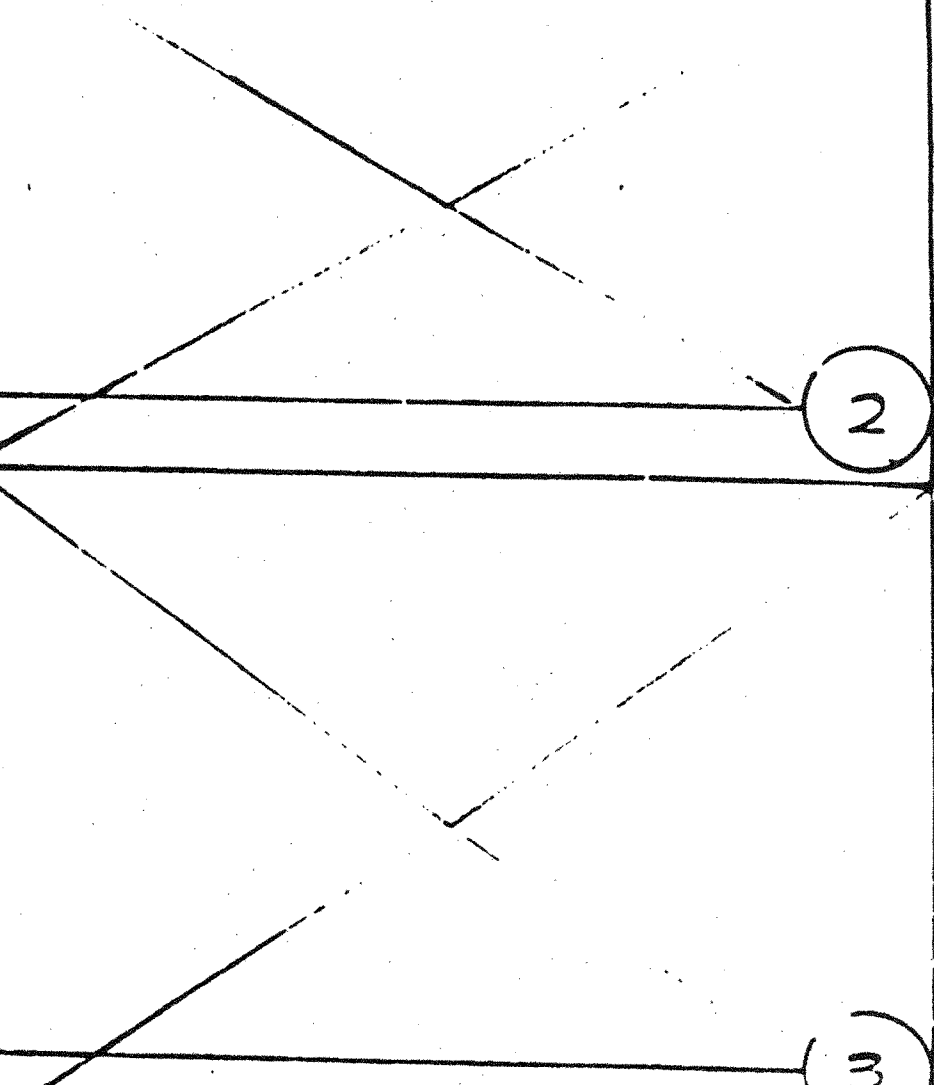
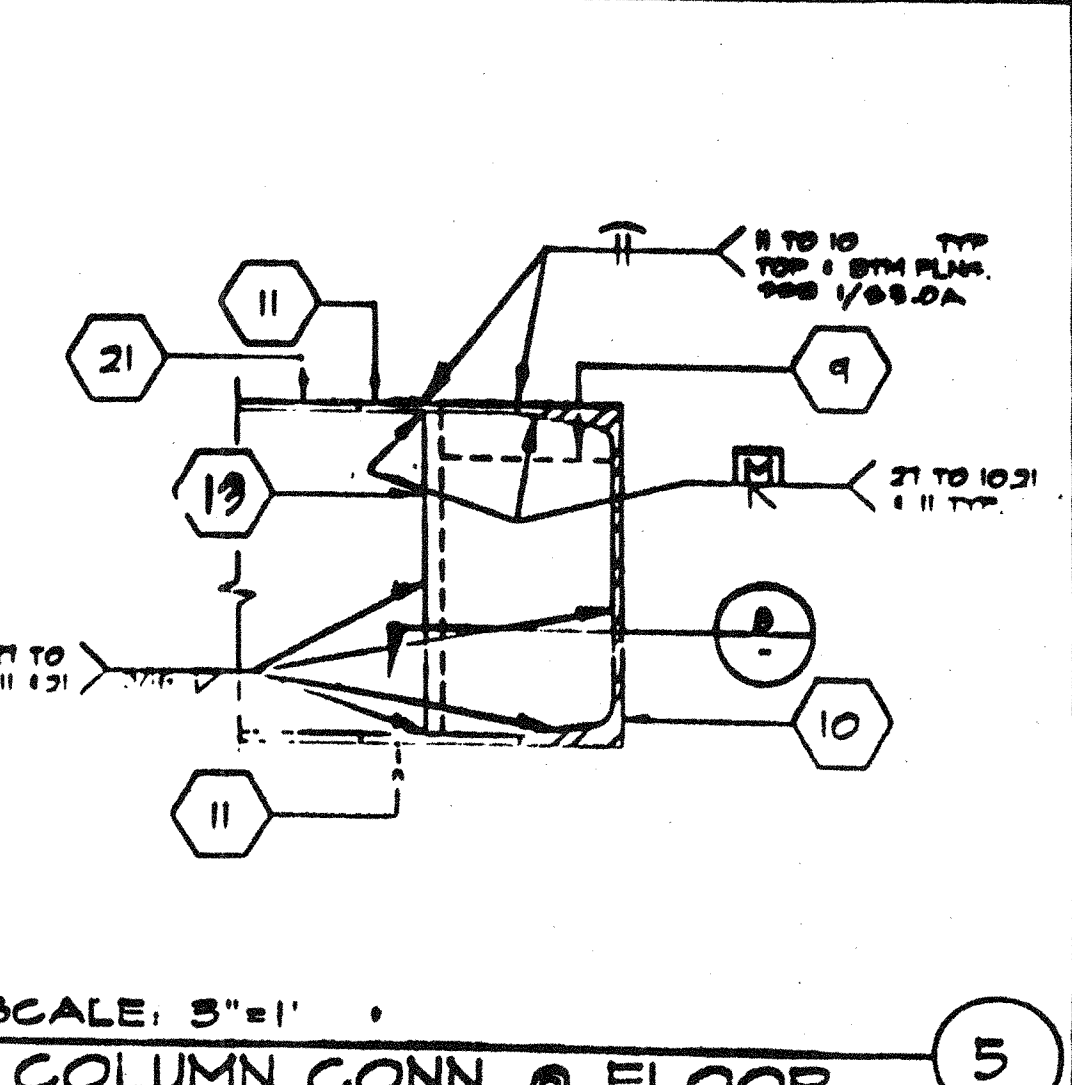
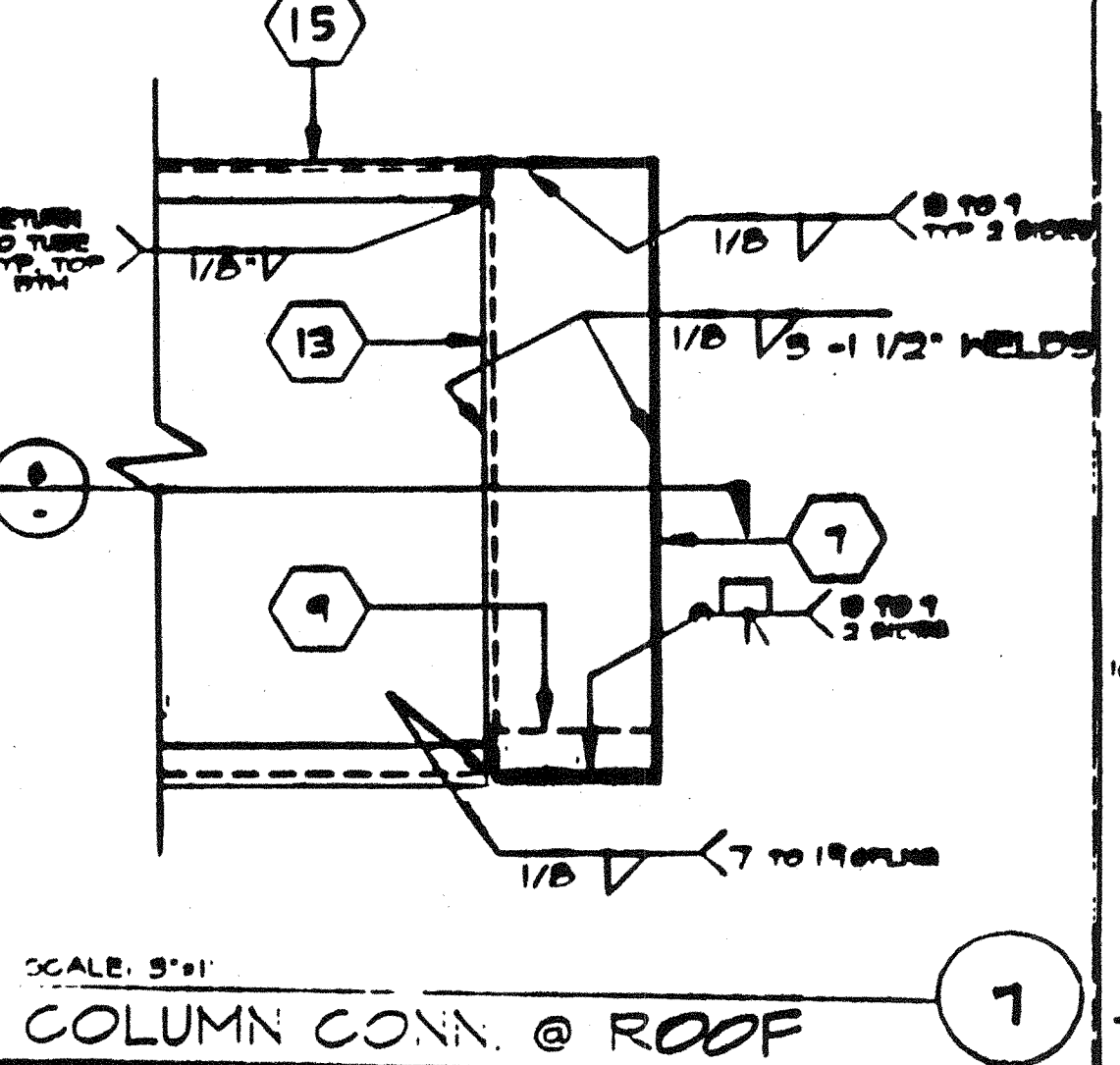
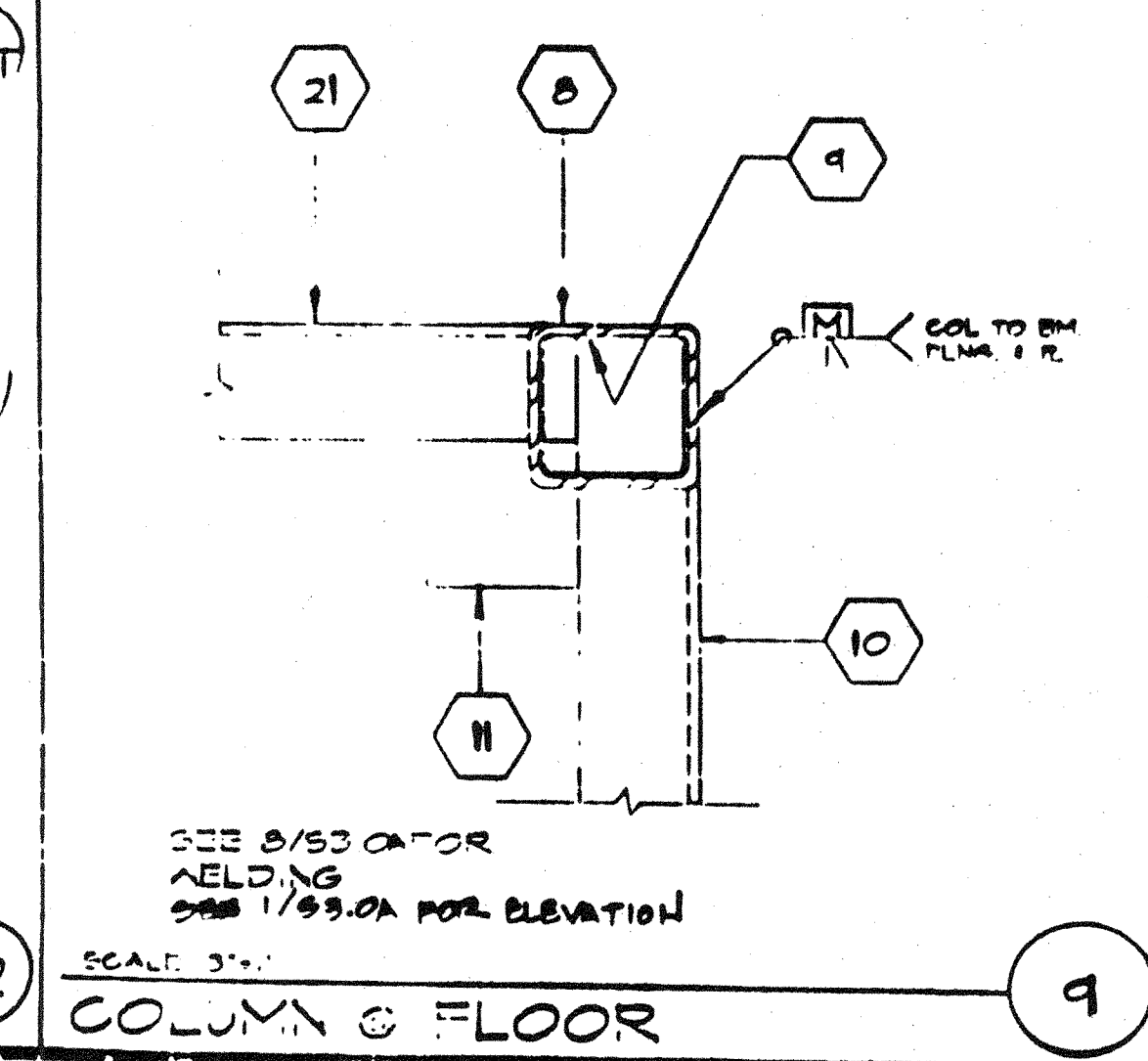
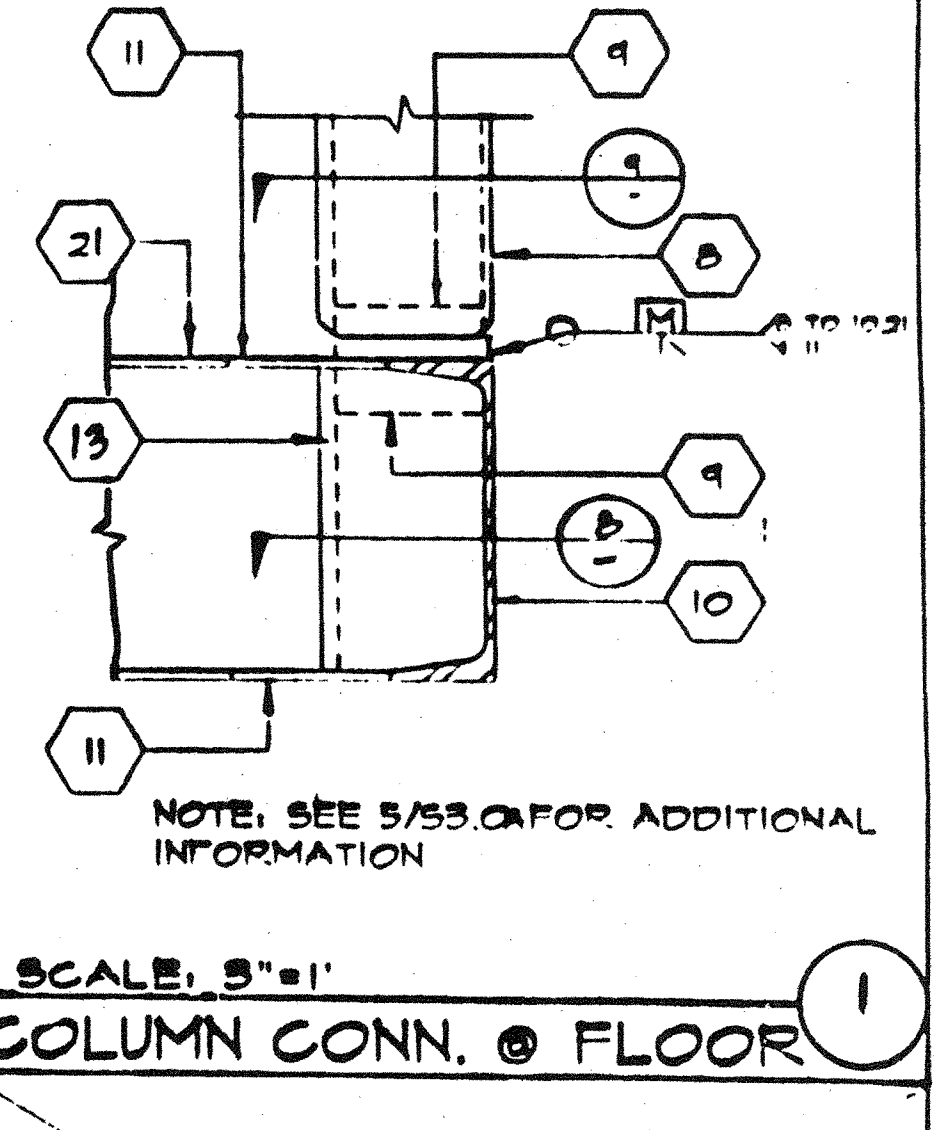
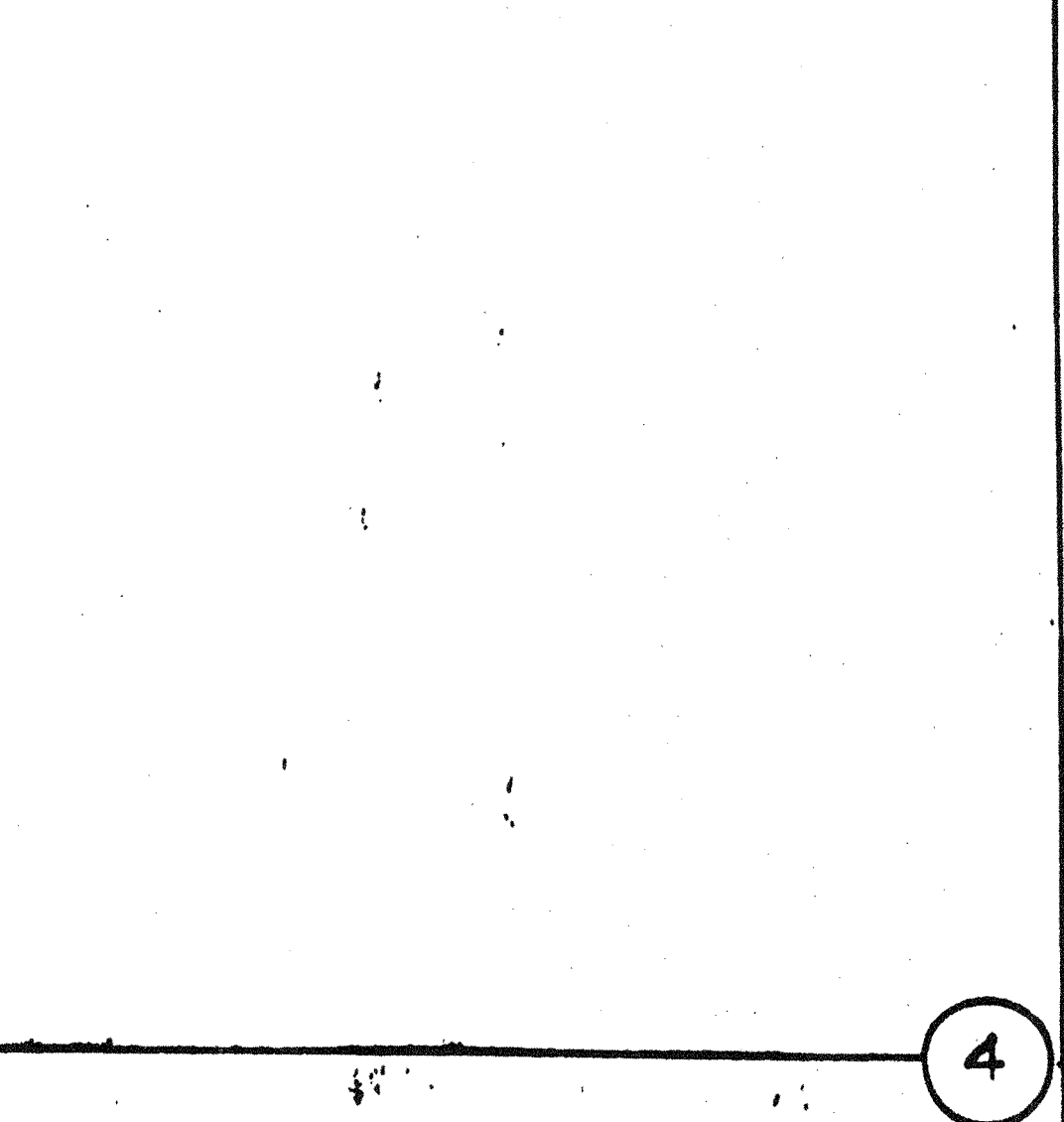
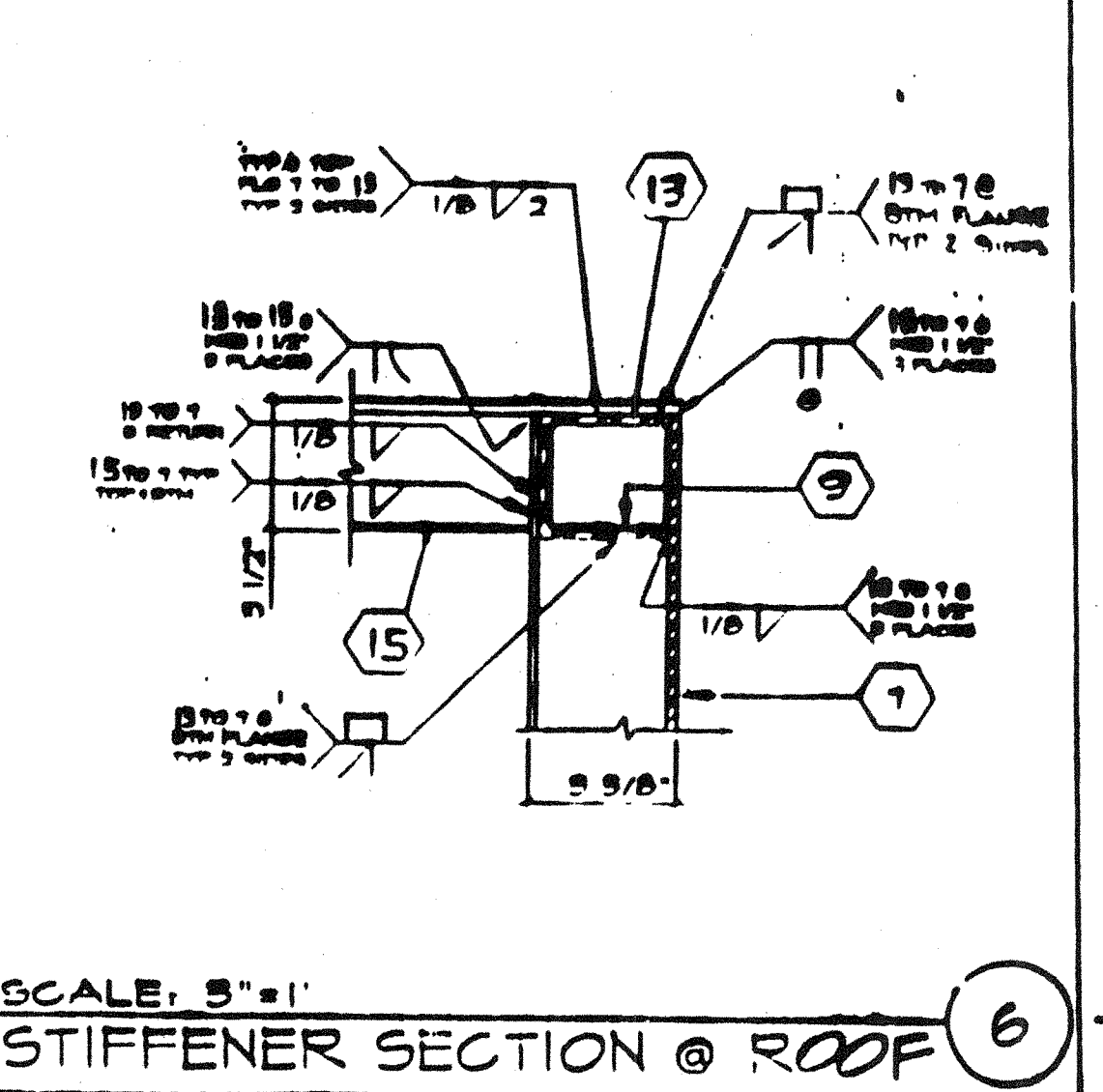
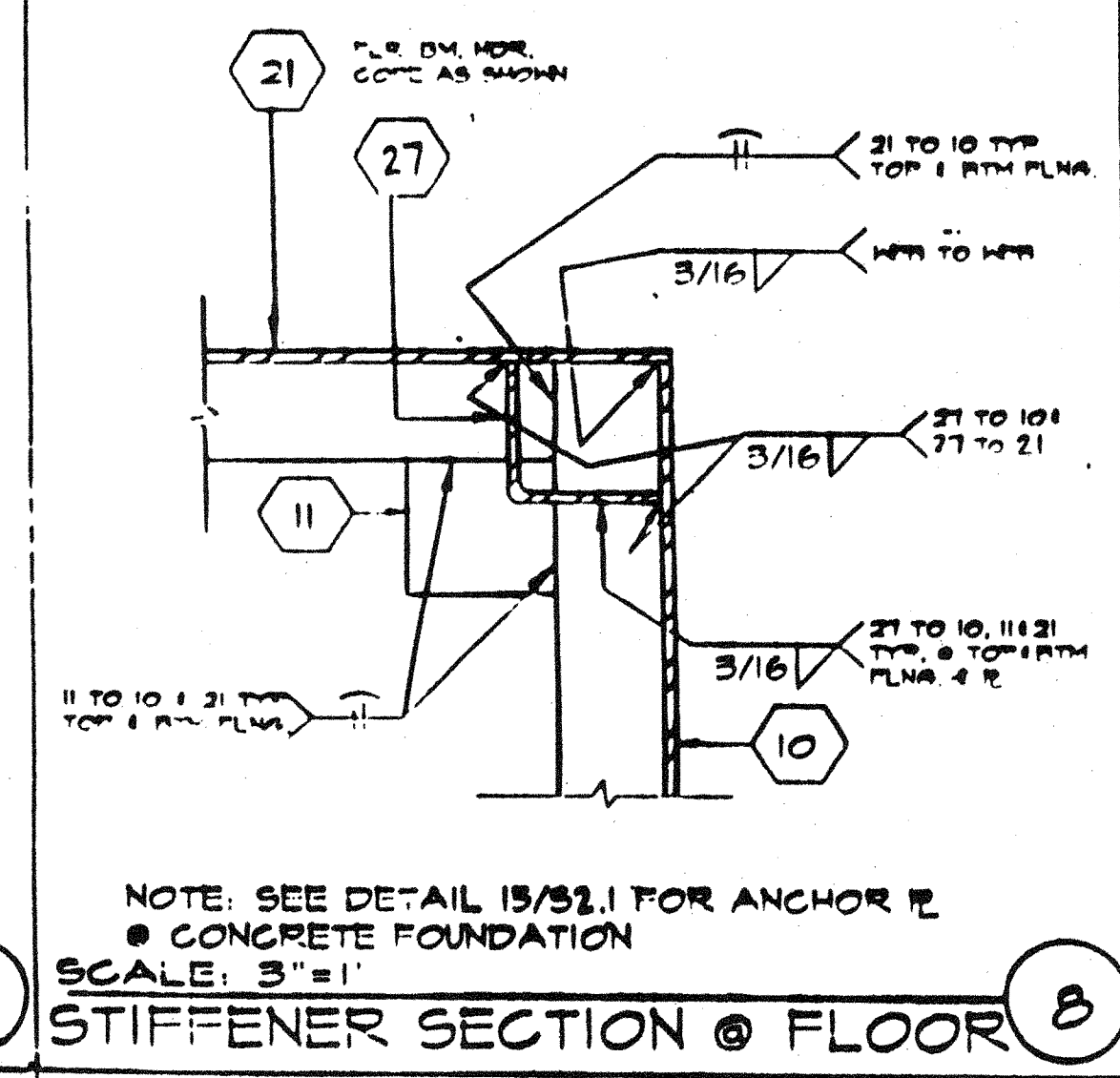


- ### KEY NOTES
- 1 EN & PLYWOOD EDGES
 - 2 22GA STANDING SEAM ROOF
 - 3 6 3/4" X 2 1/2" X 12GA FLR JOIST @ 24"
 - 4 6 X 2 1/2" X 14GA ROOF FURLIN @ 24"
 - 5 2 1/2" X 3 1/2" X 26 GA. ROOF END CLOSURE W/ 10 STOPS W/ 1/2" DIA. W/ 1/2" DIA. W/ 1/2" DIA. W/ 1/2" DIA.
 - 6 NOT USED
 - 7 1 1/2" GA. TAPERED ROOF BEAM (SEE 1/5.1.2 OR 1/5.2) REFER TO BE FRAMING
 - 8 3 1/2" X 3 1/2" X 1/4" COLUMN
 - 9 BACK-UP PLATE MIN 10 GA
 - 10 1 X 4.8 FLOOR CHANNEL
 - 11 3 1/2" X 3 1/2" X 1/4" STEEL PLATE HELD FLUSH TO TOP AND BOTTOM OF COLUMN FLANGES
 - 12 NOT USED
 - 13 SECTION OF 3 1/2" X 3 1/2" X 1/4" TUBE GORE TO FIT ROOF BEAM
 - 14 NOT USED
 - 15 1 1/4" X 3 1/2" X 12GA HEADER (SEE 1/5.2)
 - 16 NOT USED
 - 17 LOCATION OF HVAC COILING
 - 18 1/4" FULL DEPTH STIFFENER PLATE AT 8'-0" ON UNO ALIGN WITH FURLIN
 - 19 NOT USED
 - 20 NOT USED
 - 21 1 X 4.8 FLOOR HEADER
 - 22 NOT USED
 - 23 NOT USED
 - 24 NOT USED
 - 25 NOT USED
 - 26 NOT USED
 - 27 3 1/2" X 3 1/2" X 1/4" TUBE GORE FLOOR BRAN



IDENTIFICATION STAMP
DIV. OF THE STATE ARCHITECT
OFFICE OF REGULATION SERVICES
AC: [Signature]
DATE: AUG 10 1998

IDENTIFICATION STAMP
DIV. OF THE STATE ARCHITECT
OFFICE OF REGULATION SERVICES
AC: 117837
DATE: 09 10 1998

ARCHITECT 	ELECTRICAL	STRUCTURAL	MECHANICAL	FIRE MARSHAL	ACCESS COMPLIANCE	STRUCTURAL SAFETY	2926	MODTECH INC. 4012-084	STKP-39 2926
DUAL PITCH								STRUCTURAL ELEVATIONS AND DETAILS S3.0A	